



US00D851628S

(12) **United States Design Patent**
Wernblad et al.

(10) **Patent No.:** **US D851,628 S**
(45) **Date of Patent:** **** Jun. 18, 2019**

(54) **HEADSET INCLUDING A HEADBAND**

(71) Applicant: **Sennheiser Communications A/S,**
Ballerup (DK)

(72) Inventors: **Sivert Wernblad,** Ballerup (DK); **Jens Brandt Kofod,** Ballerup (DK)

(73) Assignee: **SENNHEISER COMMUNICATIONS A/S,** Ballerup (DK)

(**) Term: **15 Years**

(21) Appl. No.: **29/613,143**

(22) Filed: **Aug. 8, 2017**

(30) **Foreign Application Priority Data**

Feb. 9, 2017 (EM) 003745116-0001
Feb. 9, 2017 (EM) 003745116-0002

(51) **LOC (11) Cl.** **14-01**

(52) **U.S. Cl.**
USPC **D14/206; D14/226**

(58) **Field of Classification Search**
USPC D14/206, 205, 248, 249, 25, 226, 224;
181/129, 130, 135; 379/430, 431;
381/380, 381, 370, 371; 455/90.3, 575.1,
455/569.1
CPC H04R 1/10; H04R 1/1091; H04R 1/1041;
H04R 5/033; H04R 5/0335; H04R
1/1016; H04R 25/00
See application file for complete search history.

(56) **References Cited**

U.S. PATENT DOCUMENTS

D321,879 S * 11/1991 Emmerling D14/188
D337,116 S * 7/1993 Hattori D14/206
D340,033 S * 10/1993 Okumura D14/192

D342,947 S * 1/1994 Totsuka D14/192
D345,162 S * 3/1994 Yamatogi D14/205
D346,380 S * 4/1994 Fitzgerald D14/138 R
5,469,505 A * 11/1995 Gatley H04M 1/05
379/430
D377,020 S * 12/1996 Bungardt D14/205
D394,436 S * 5/1998 Hall D14/206
D394,437 S * 5/1998 Landreth D14/206
5,793,878 A * 8/1998 Chang H04R 5/0335
381/370
D410,921 S * 6/1999 Luchs D14/142
D427,994 S * 7/2000 Pirelli D14/223
6,154,539 A * 11/2000 Pitel H04M 1/05
379/430
D436,348 S * 1/2001 McGugan D14/142
D451,903 S * 12/2001 Amae D14/206

(Continued)

Primary Examiner — Paula Allen Greene

(74) *Attorney, Agent, or Firm* — Birch, Stewart, Kolasch & Birch, LLP

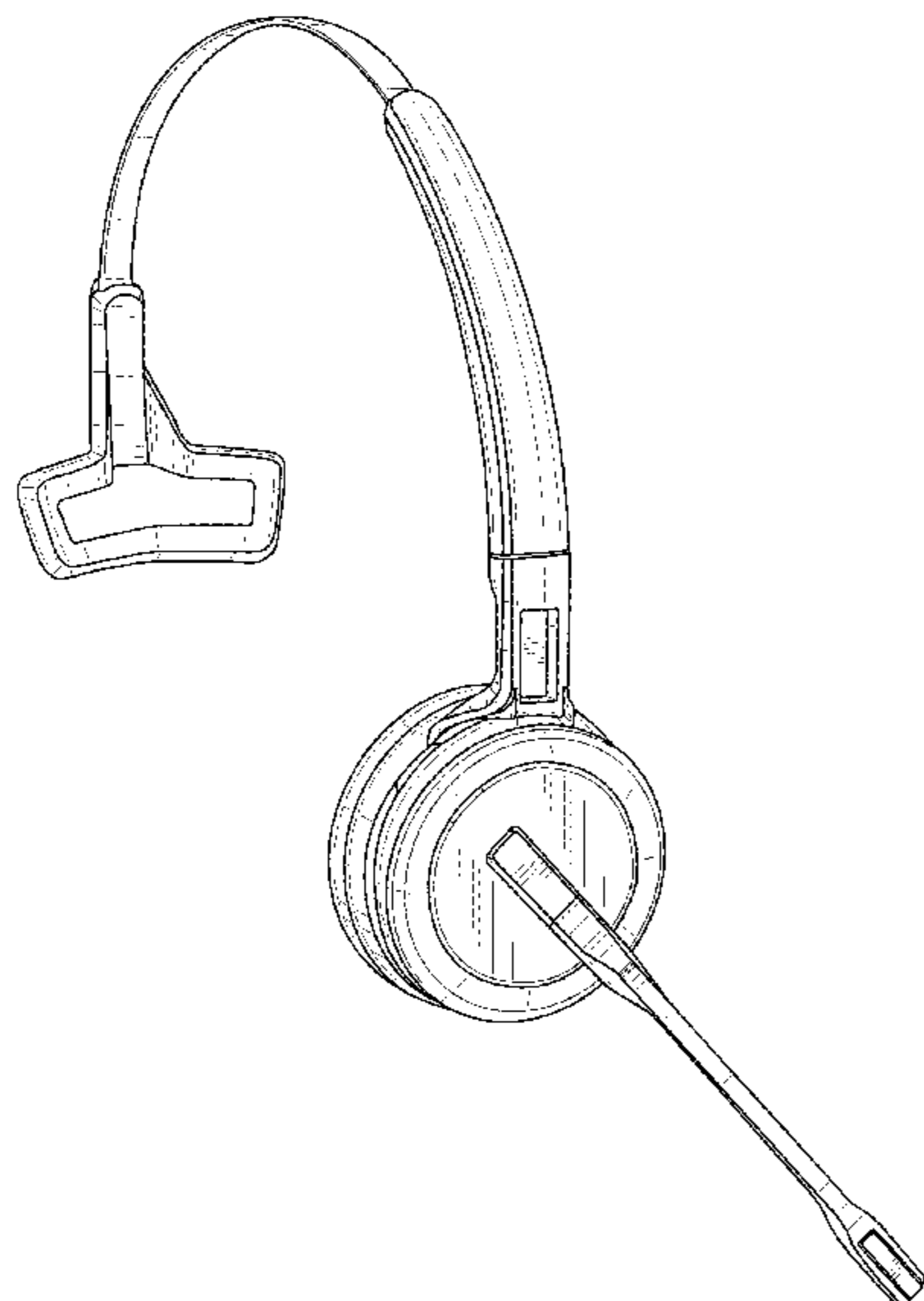
(57) **CLAIM**

The ornamental design for a headset including a headband, as shown and described.

DESCRIPTION

FIG. 1 is a perspective view of the headset including a headband;
FIG. 2 is another perspective view of the headset including a headband;
FIG. 3 is a front view of the headset including a headband;
FIG. 4 is a rear view of the headset including a headband;
FIG. 5 is a right side view of the headset including a headband;
FIG. 6 is a left side view of the headset including a headband;
FIG. 7 is a top view of the headset including a headband;
and,
FIG. 8 is bottom view of the headset including a headband.

1 Claim, 8 Drawing Sheets



(56)

References Cited

U.S. PATENT DOCUMENTS

D451,906 S *	12/2001	Amae	D14/223	D601,543 S *	10/2009	Bentley	D14/206
6,356,635 B1 *	3/2002	Lyman	H04M 1/05 379/430	D602,001 S *	10/2009	Bentley	D14/206
D457,155 S *	5/2002	Skulley	D14/206	D602,002 S *	10/2009	Asai	D14/206
D457,513 S *	5/2002	Pirelli	D14/223	D612,835 S *	3/2010	Yang	D14/206
D482,019 S *	11/2003	Petersen	D14/206	D628,189 S *	11/2010	Rath	D14/206
D494,154 S *	8/2004	Polito	D14/206	D638,000 S *	5/2011	Hoggarth	D14/206
D494,957 S *	8/2004	Rath	D14/206	D641,337 S *	7/2011	Brandis	D14/206
D498,470 S *	11/2004	Skulley	D14/206	D643,405 S *	8/2011	Rath	D14/206
D505,413 S *	5/2005	Skulley	D14/223	D645,023 S *	9/2011	Brandis	D14/206
6,952,481 B2 *	10/2005	Larsen	H04M 1/05 379/430	D648,330 S *	11/2011	Fischer	D14/226
6,965,681 B2 *	11/2005	Almqvist	H04R 1/1041 381/371	8,061,473 B1 *	11/2011	Kerr	A61F 11/008 181/135
D514,086 S *	1/2006	Skulley	D14/206	D653,649 S *	2/2012	Yang	D14/206
D517,528 S *	3/2006	Skulley	D14/206	D668,240 S *	10/2012	Brandis	D14/206
7,106,873 B1 *	9/2006	Harrison	H04R 25/456 381/330	D673,524 S *	1/2013	Brennwald	D14/206
D530,307 S *	10/2006	Rath	D14/206	D681,014 S *	4/2013	Ham	D14/206
D530,702 S *	10/2006	Pritchard	D14/206	D684,145 S *	6/2013	Rath	D14/206
D531,165 S *	10/2006	Rath	D14/206	D712,875 S *	9/2014	Katori	D14/206
D535,285 S *	1/2007	Skulley	D14/205	D716,259 S *	10/2014	Awiszus	D14/206
D538,785 S *	3/2007	Skulley	D14/206	D719,135 S *	12/2014	Kelley	D14/205
D540,778 S *	4/2007	Thompson	D14/206	D732,002 S *	6/2015	Goransson	D14/206
7,391,863 B2 *	6/2008	Viduya	H04M 1/05 379/430	D760,690 S *	7/2016	Gecawicz	D14/206
D587,683 S *	3/2009	Ham	D14/205	9,426,554 B2 *	8/2016	Dai	H04R 1/105
D587,684 S *	3/2009	Ham	D14/205	D806,676 S *	1/2018	Fuglsang	D14/206
7,519,196 B2 *	4/2009	Bech	H04R 1/105 381/370	D822,638 S *	7/2018	Liu	D14/206
					2011/0135134 A1 *	6/2011	Essabar	H04R 1/1025 381/374
					2012/0163616 A1 *	6/2012	Birch	H04M 1/6058 381/74
					2016/0198254 A1 *	7/2016	Gecawicz	H04R 1/083 381/375

* cited by examiner

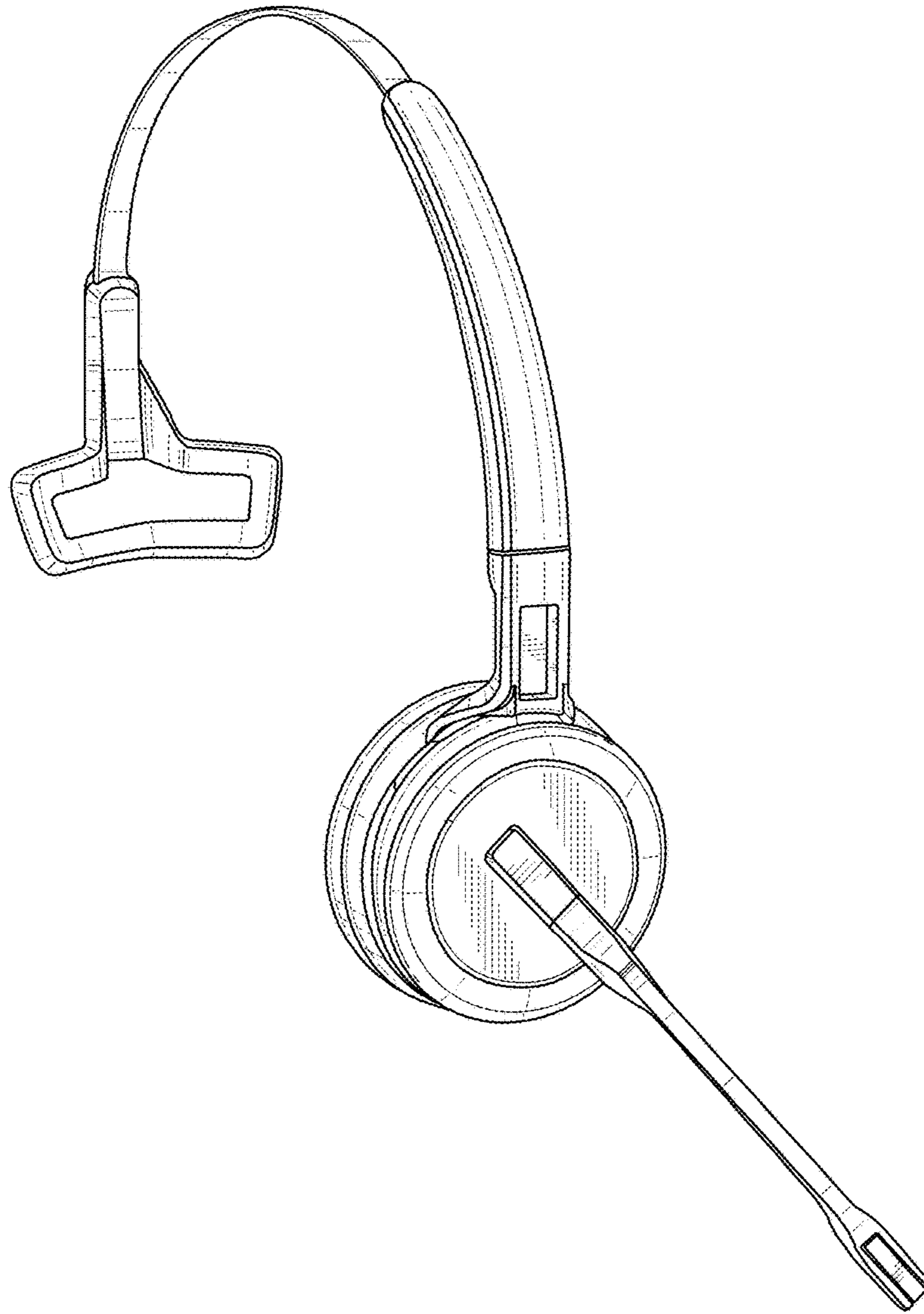


FIG. 1

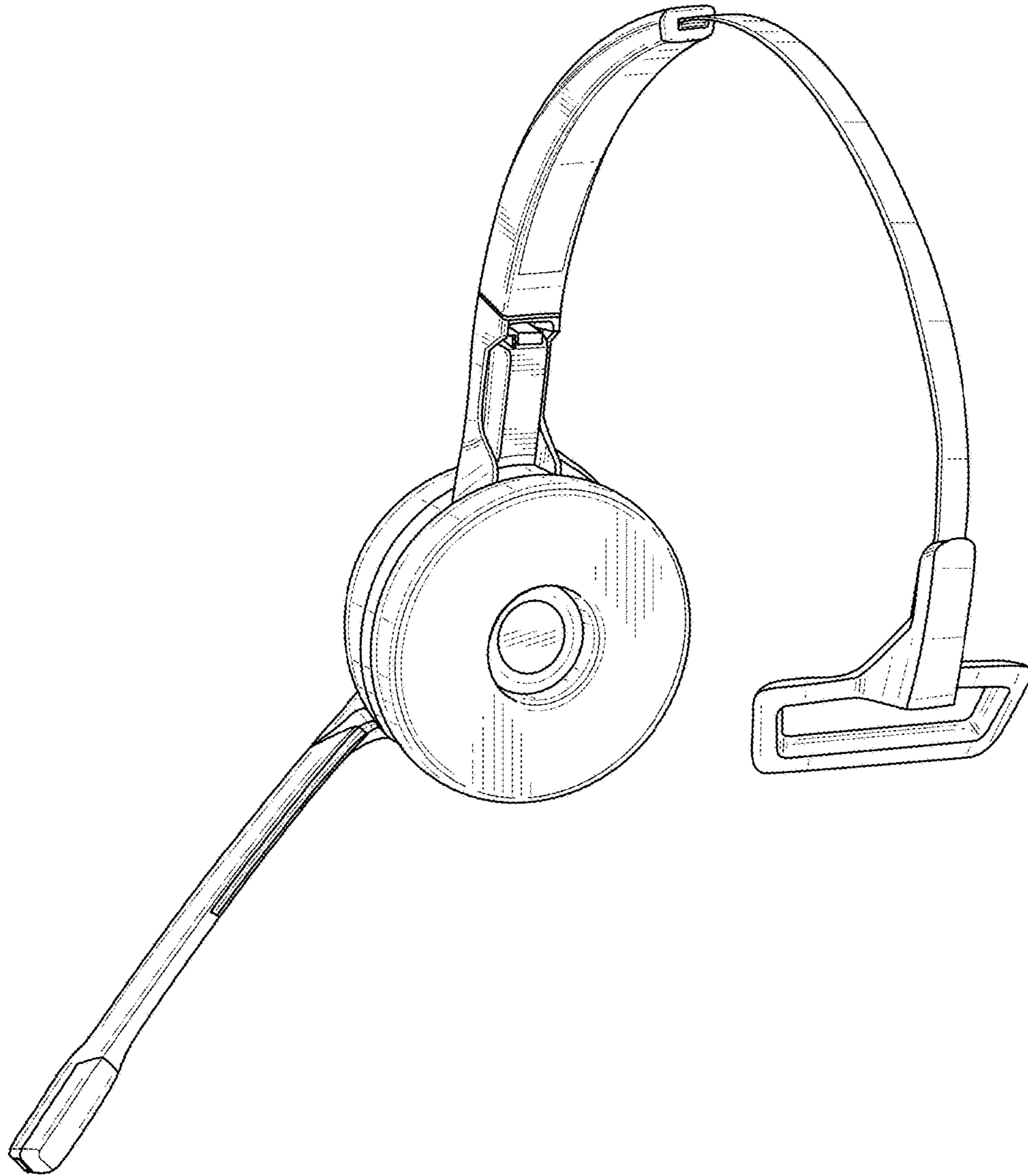


FIG. 2

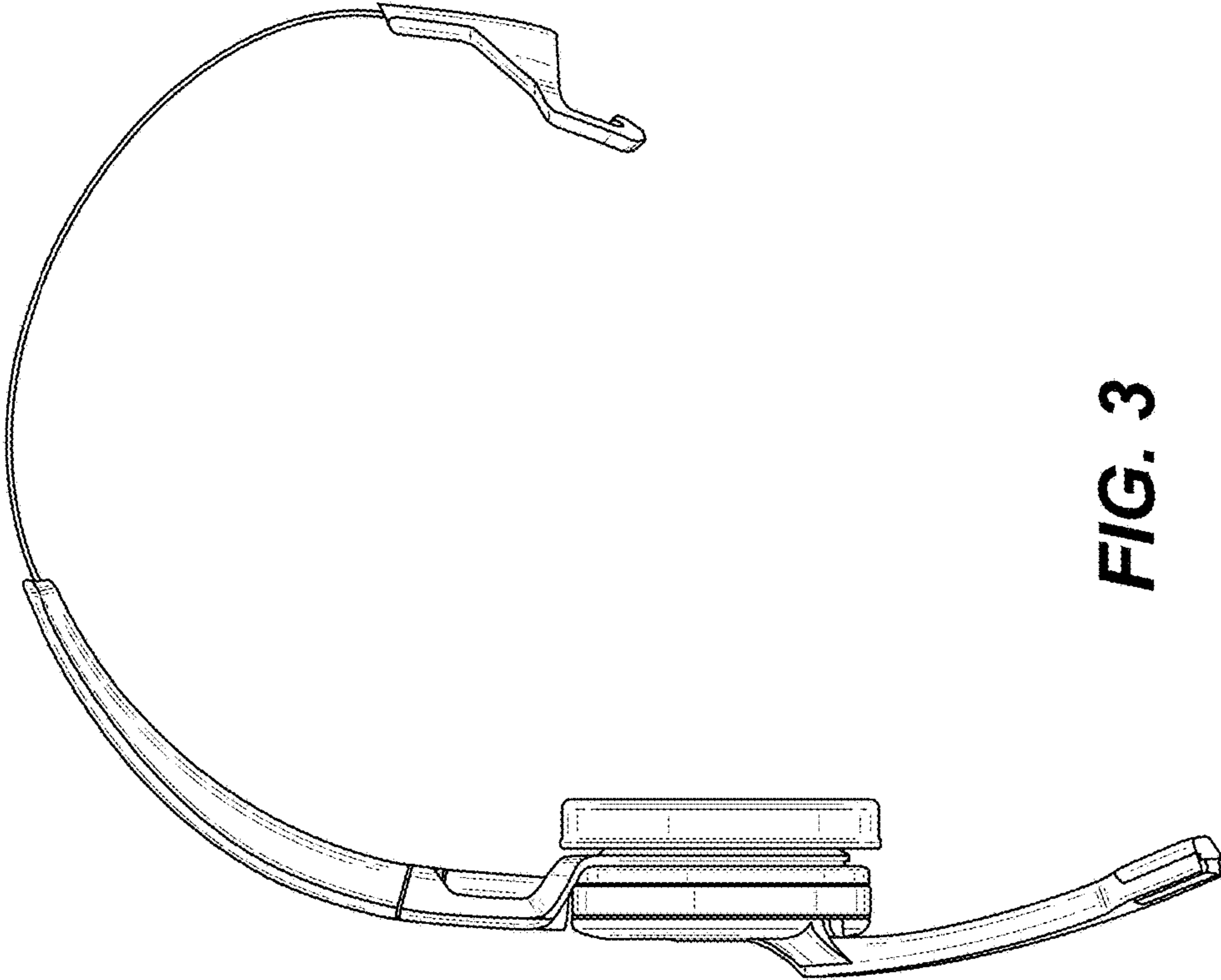


FIG. 3

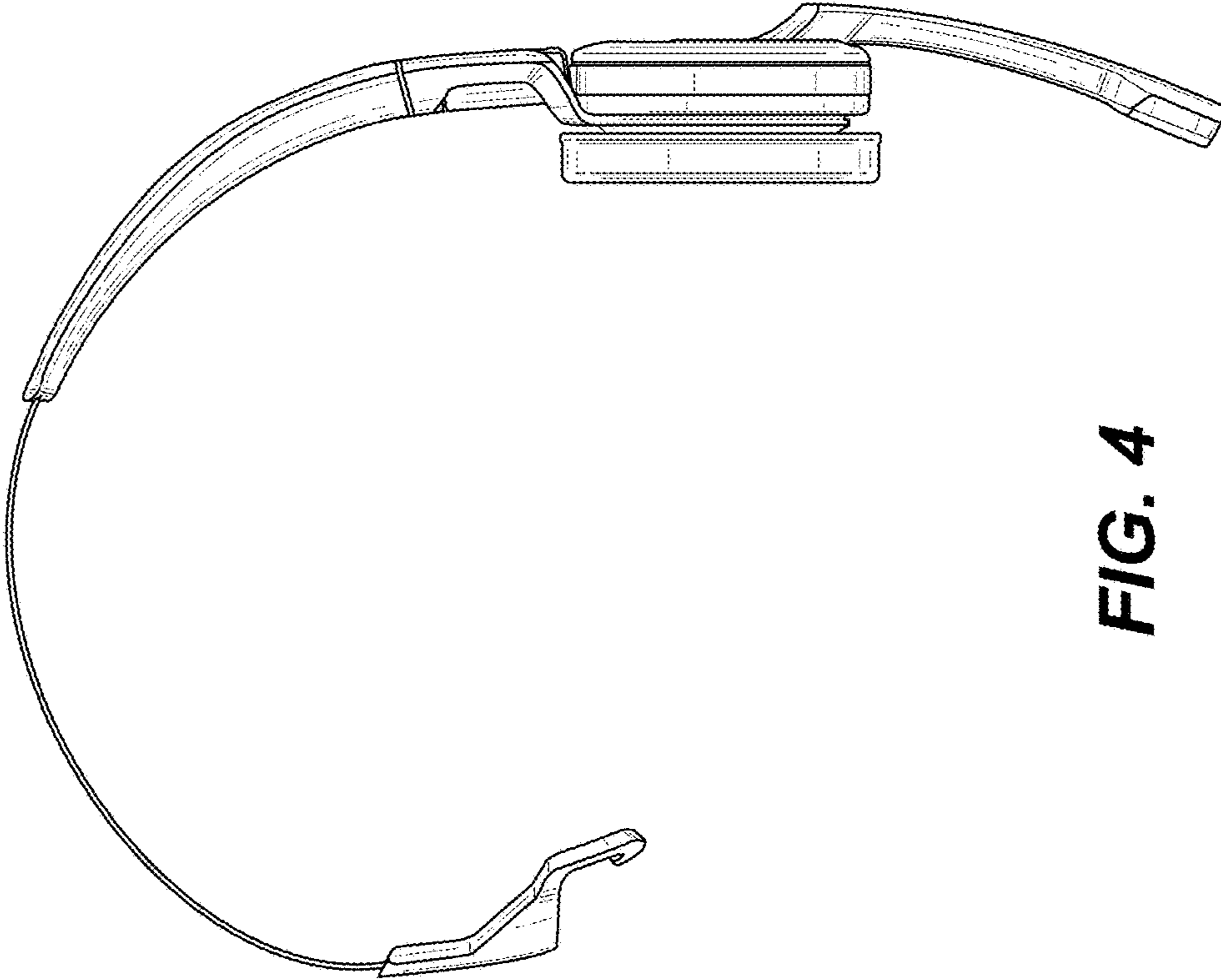


FIG. 4

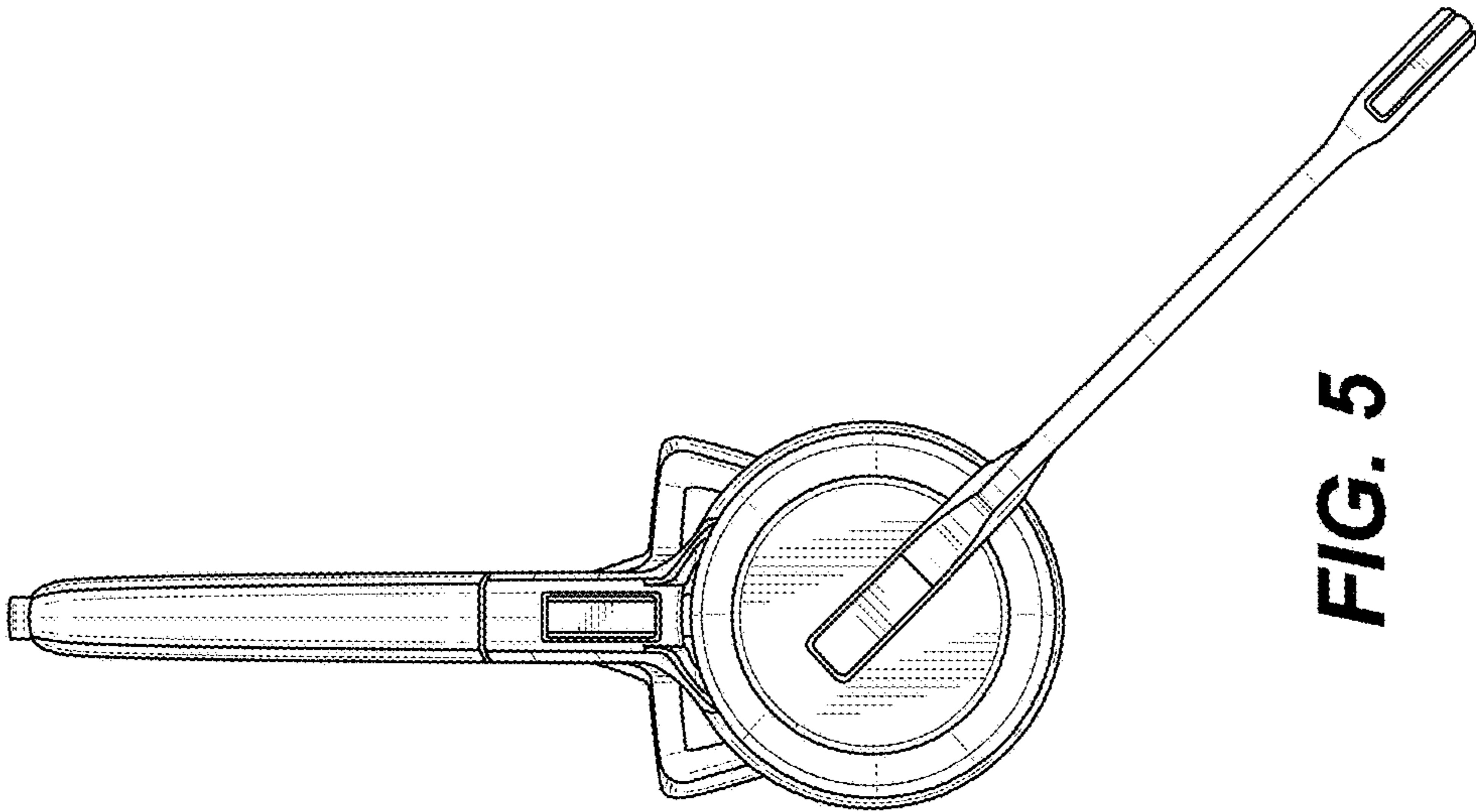


FIG. 5

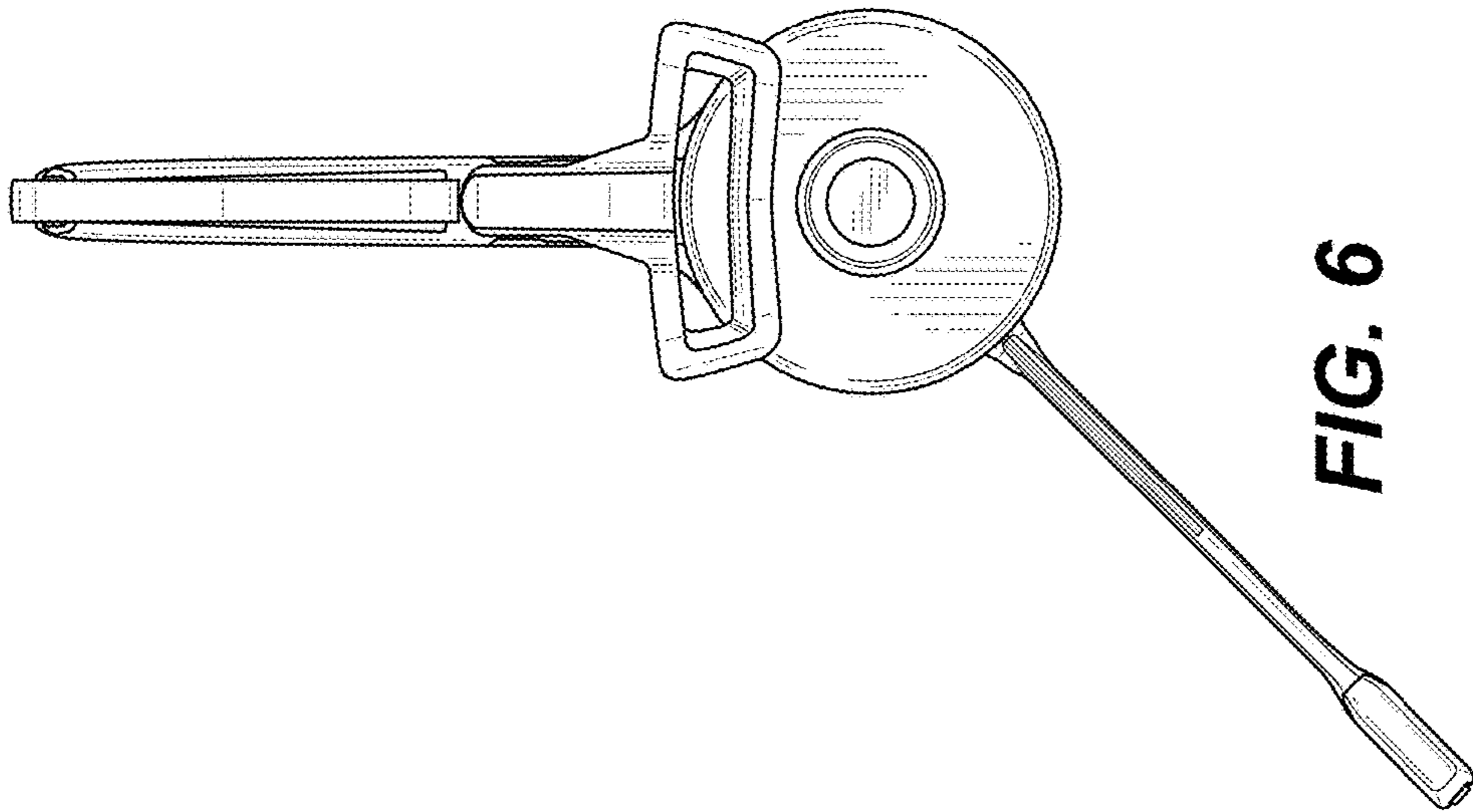


FIG. 6

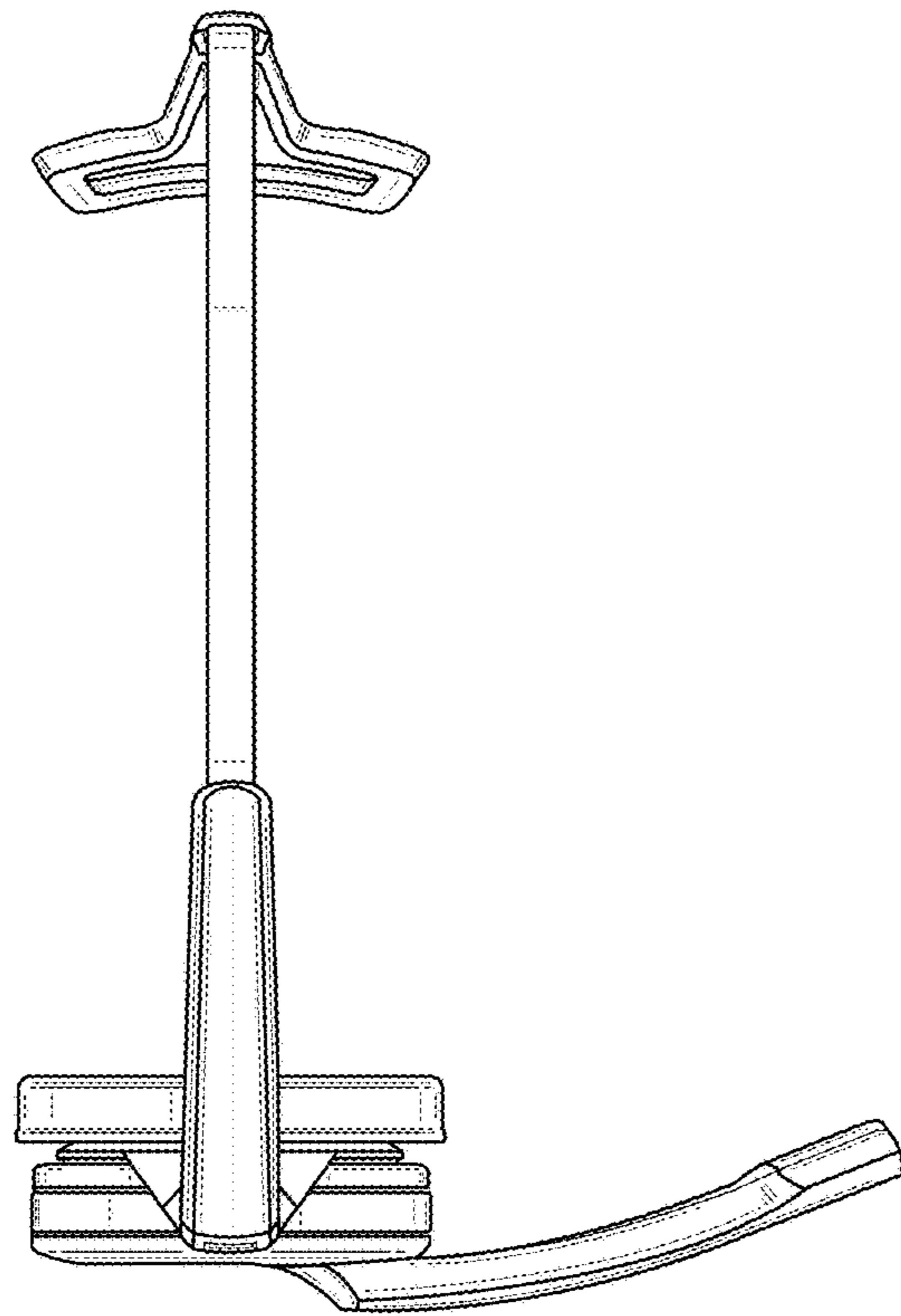


FIG. 7

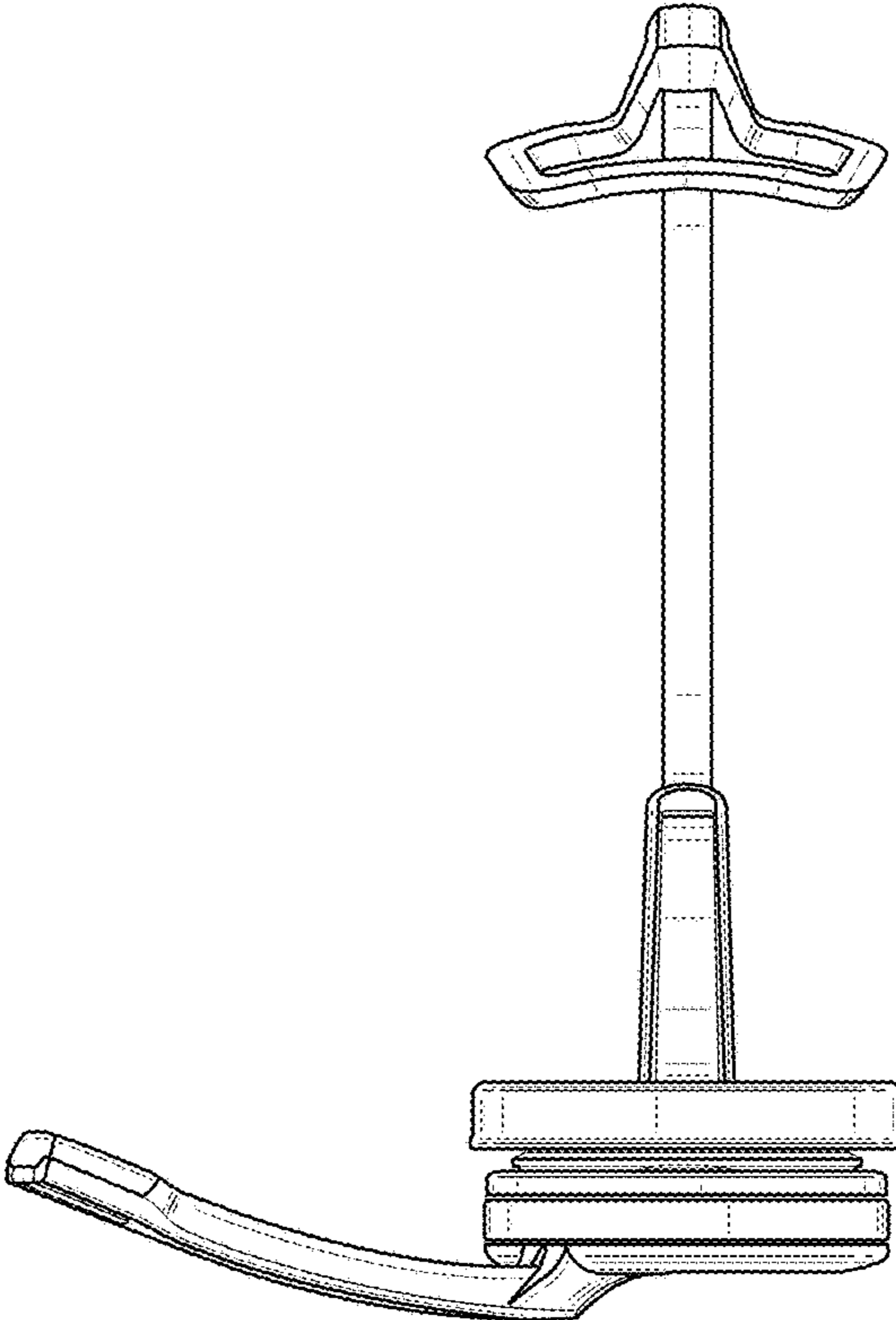


FIG. 8