



US00D851627S

(12) **United States Design Patent**
ter Laag et al.

(10) **Patent No.:** **US D851,627 S**
(45) **Date of Patent:** **** Jun. 18, 2019**

(54) **HEADPHONE**
(71) Applicant: **Zound Industries International AB**,
Stockholm (SE)
(72) Inventors: **Tobias ter Laag**, Stockholm (SE); **Ella**
Renneus, Stockholm (SE)
(73) Assignee: **Zound Industries International AB**,
Stockholm (SE)
(**) Term: **15 Years**
(21) Appl. No.: **29/625,671**
(22) Filed: **Nov. 10, 2017**

(30) **Foreign Application Priority Data**

May 11, 2017 (EM) 003996883-0004

(51) **LOC (11) Cl.** **14-01**

(52) **U.S. Cl.**
USPC **D14/205**

(58) **Field of Classification Search**
USPC D14/205; D29/112; 2/209; 181/129,
181/130, 135; 379/430, 431; 381/380,
381/381, 74, 374; 455/90.3, 575.1, 569.1
CPC H04R 25/00; H04R 1/1066; H04R 1/1016;
H04R 5/033; H04R 5/0335; H04R 1/10
See application file for complete search history.

(56) **References Cited**

U.S. PATENT DOCUMENTS

1,651,623 A * 12/1927 Obergfell H04R 1/1066
381/374
D203,677 S * 2/1966 Spillman D14/205
3,644,939 A * 2/1972 Beguin A61F 11/14
2/209
D228,352 S * 9/1973 Itagaki D14/205
D264,242 S * 5/1982 LaRue D24/184
D270,634 S * 9/1983 Ungar D14/205

4,571,746 A * 2/1986 Gorike H04R 5/0335
2/209
4,597,469 A * 7/1986 Nagashima H04R 5/0335
181/129
4,615,050 A * 10/1986 Lonnstedt A61F 11/14
181/129
D291,690 S * 9/1987 Tabachnik D14/205
D292,205 S * 10/1987 Kikutani 381/378
D313,092 S * 12/1990 Nilsson D14/205
D328,461 S * 8/1992 Daido D14/205
D342,071 S * 12/1993 Wright D14/223
6,353,938 B1 * 3/2002 Young A61F 11/14
181/129
6,392,196 B1 * 5/2002 Lin A61F 11/14
2/209
6,611,963 B2 * 9/2003 Woo A61F 11/14
2/209
D541,256 S * 4/2007 Rausch D14/205
D570,825 S * 6/2008 Schultz D14/205
D571,354 S * 6/2008 Ng D14/205
D620,474 S * 7/2010 Komiyama D14/205

(Continued)

Primary Examiner — Paula Allen Greene

(74) *Attorney, Agent, or Firm* — Alonzo & Associates;
Aklyn Alonzo

(57) **CLAIM**

The ornamental design for a headphone, as shown and described.

DESCRIPTION

FIG. 1 is a perspective view of a headphone showing my new design, the opposite front face of the interior headphone ear cup is a mirror image.

FIG. 2 is a front view thereof.

FIG. 3 is a back view thereof.

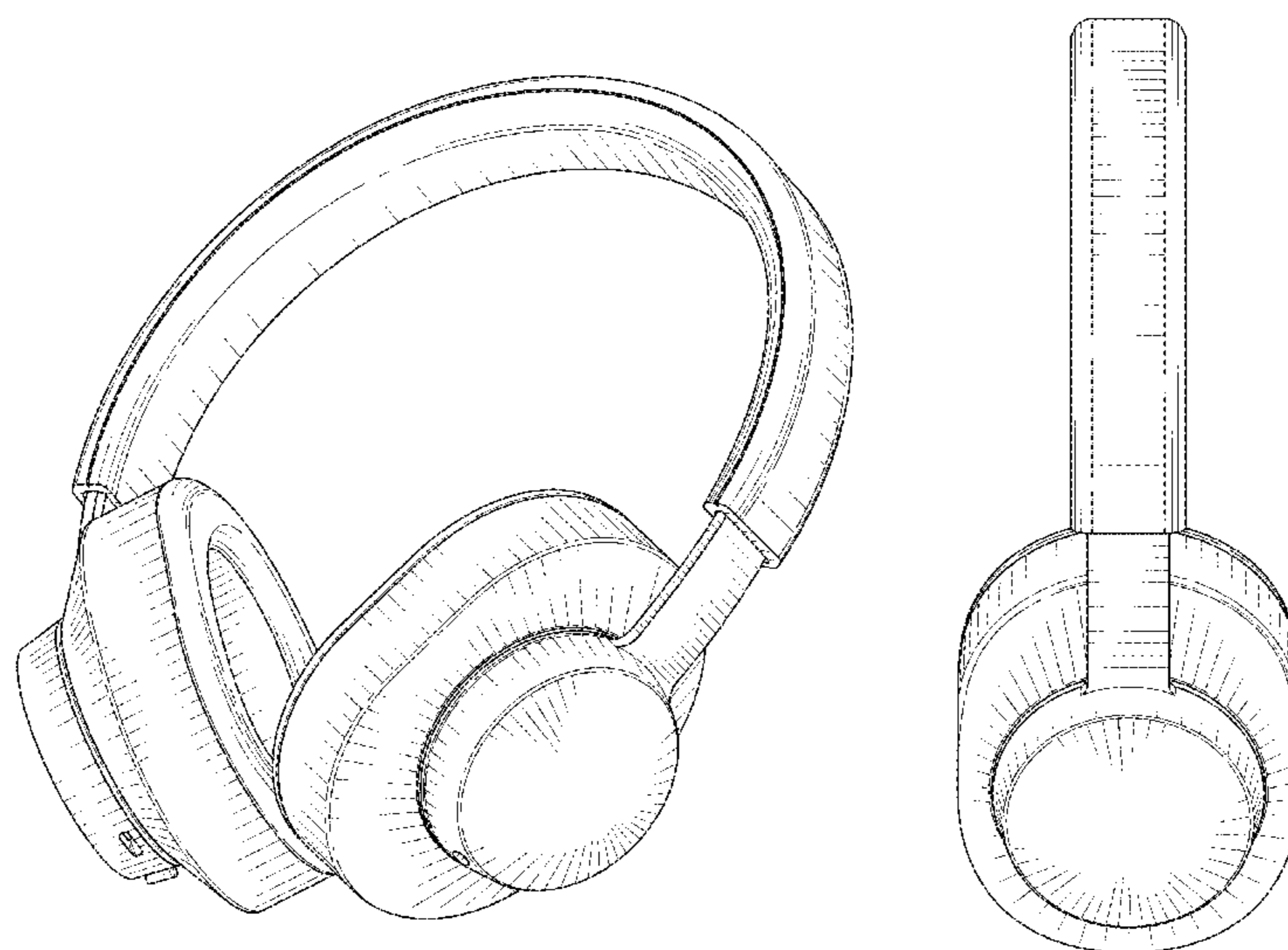
FIG. 4 is a left side view thereof.

FIG. 5 is a right side view thereof.

FIG. 6 is a top view thereof; and,

FIG. 7 is a bottom view thereof.

1 Claim, 7 Drawing Sheets



(56)

References Cited

U.S. PATENT DOCUMENTS

D663,717	S *	7/2012	Hutchieson	D14/206
8,295,529	B2 *	10/2012	Petersen	H04R 1/083
				381/371
D673,929	S *	1/2013	Combs	D14/205
D684,559	S *	6/2013	Groset	D14/205
D686,593	S *	7/2013	Larsen	D14/205
D695,263	S *	12/2013	Mogili	D14/205
D707,200	S *	6/2014	Yang	H04R 1/1066
				D14/205
8,755,555	B2 *	6/2014	Dougherty	H04R 1/1066
				381/370
D722,998	S *	2/2015	Sancho	D14/205
D724,560	S *	3/2015	Galler	D14/205
D724,561	S *	3/2015	Ko	D14/205
D733,090	S *	6/2015	Petersen	D14/205
D763,226	S *	8/2016	Petersen	D14/205
D794,602	S *	8/2017	Riggs	D14/205
D816,061	S *	4/2018	Ando	D14/205
D822,635	S *	7/2018	Ando	D14/205
D827,607	S *	9/2018	Ando	D14/205
2013/0087404	A1 *	4/2013	Peskar	G10K 11/168
				181/129

* cited by examiner



FIG. 1



FIG. 2



FIG. 3

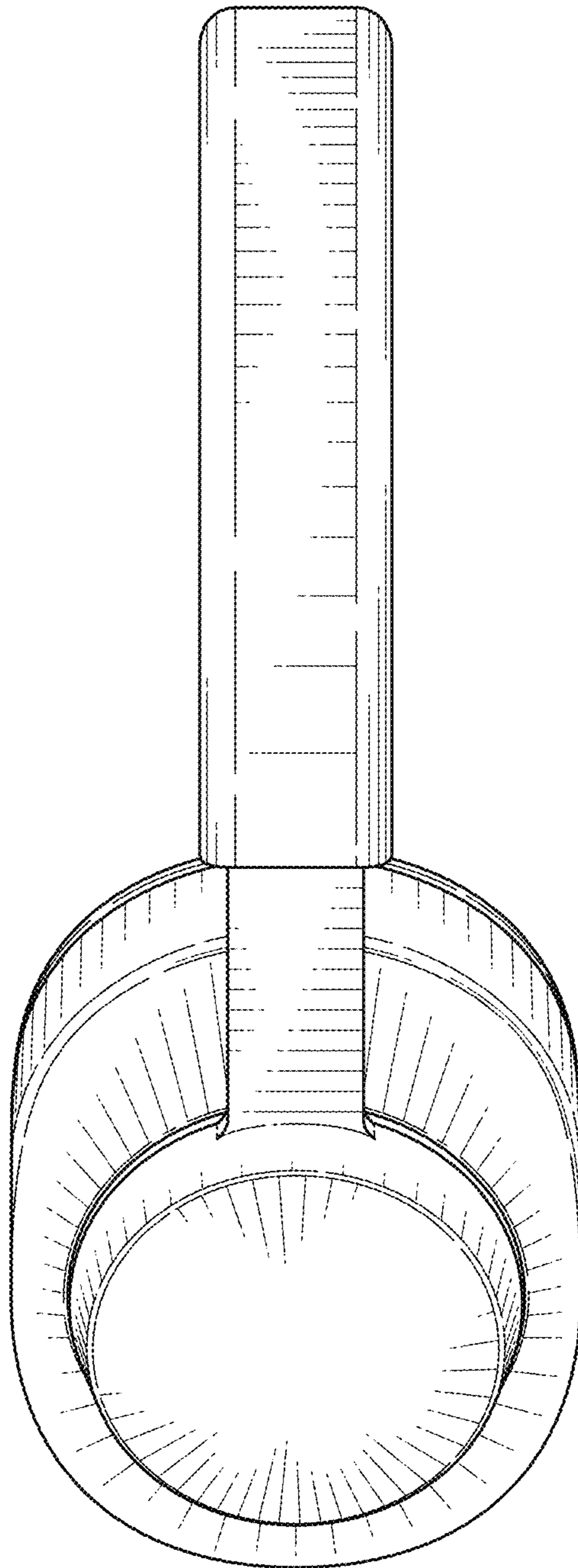


FIG. 4

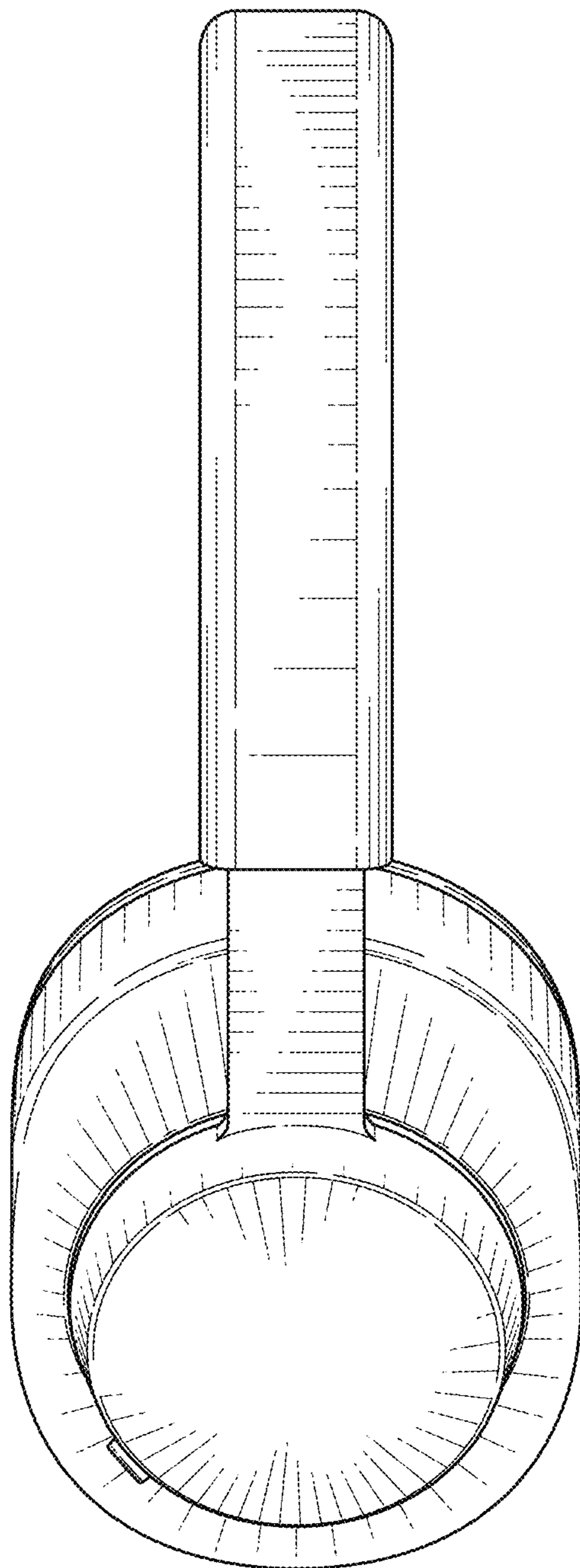


FIG. 5

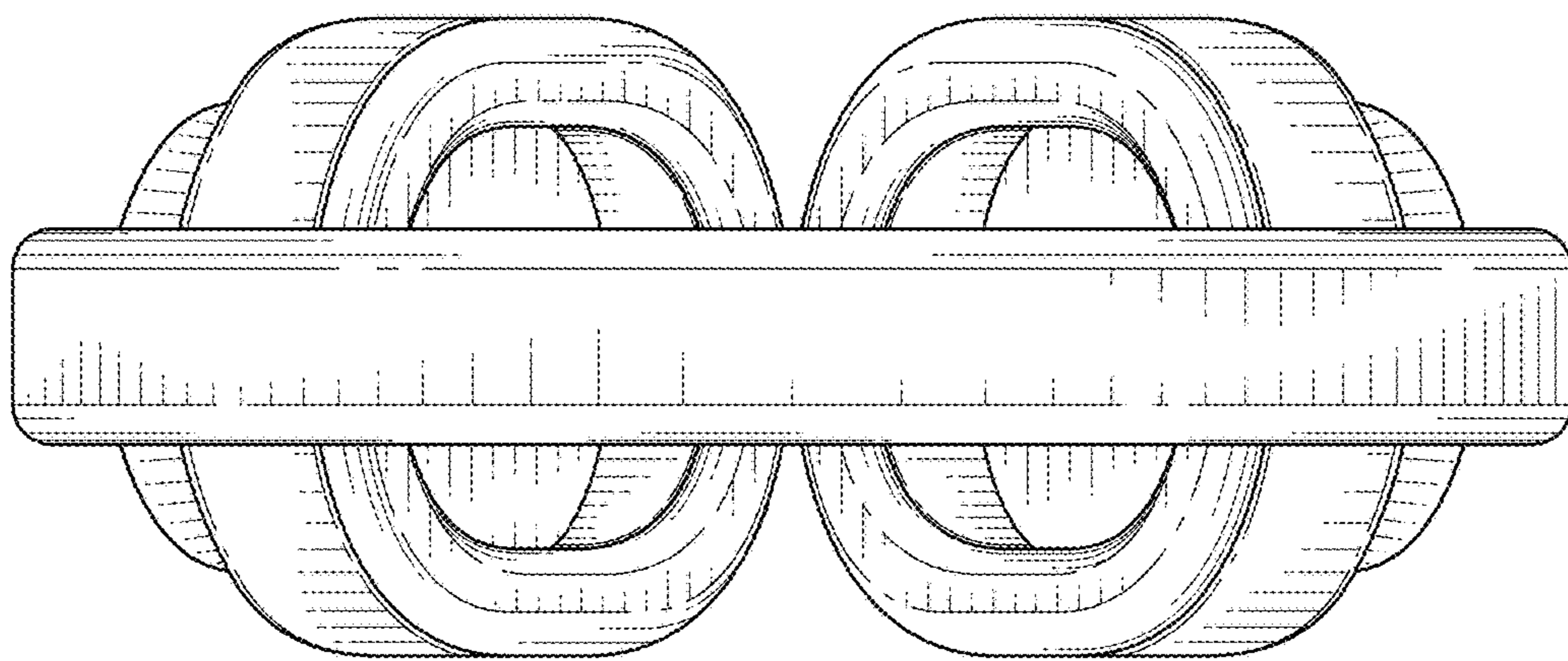


FIG. 6

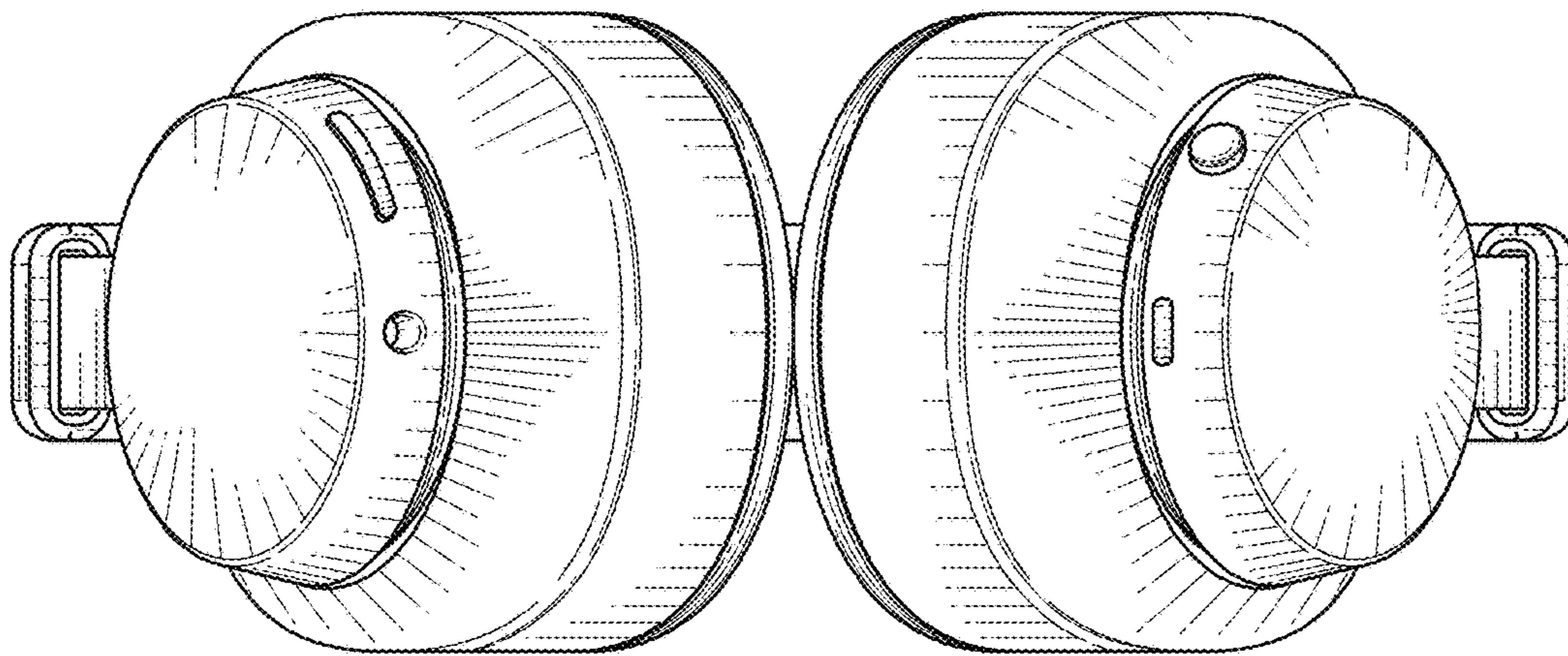


FIG. 7