



US00D851623S

(12) **United States Design Patent**
Zhang et al.

(10) **Patent No.:** **US D851,623 S**
(45) **Date of Patent:** **** Jun. 18, 2019**

(54) **BONE CONDUCTION SPEAKER**
(71) Applicant: **SHENZHEN VOXTECH CO., LTD.**,
Shenzhen, Guangdong (CN)
(72) Inventors: **Haofeng Zhang**, Guangdong (CN); **Jun Xu**,
Guangdong (CN); **Yi Tang**, Guangdong (CN); **Lei Zhong**,
Guangdong (CN); **Qian Chen**, Guangdong (CN)
(73) Assignee: **SHENZHEN VOXTECH CO., LTD.**,
Shenzhen (CN)

D337,587 S * 7/1993 Nakayama D14/205
D351,597 S * 10/1994 Nakamura D14/205
D368,716 S * 4/1996 Shudo D14/205
D371,558 S * 7/1996 Yoshizawa D14/205
5,547,751 A * 8/1996 Fujii G11B 11/10586
369/13.38
D421,014 S * 2/2000 Smith D14/205
D426,880 S * 6/2000 Leight D14/223
D460,752 S * 7/2002 Gerdomb D14/222
D471,176 S * 3/2003 Suzuki D14/205
6,603,863 B1 * 8/2003 Nagayoshi H04R 1/1066
381/370
D502,463 S * 3/2005 Bhakta D14/205
D550,202 S * 9/2007 Meier D14/206
D557,685 S * 12/2007 Lee D14/205

(Continued)

(**) Term: **15 Years**

(21) Appl. No.: **29/609,036**

(22) Filed: **Jun. 28, 2017**

(30) **Foreign Application Priority Data**

Dec. 30, 2016 (CN) 2016 3 0661538

(51) **LOC (11) Cl.** **14-01**

(52) **U.S. Cl.**
USPC **D14/205**

(58) **Field of Classification Search**
USPC D14/205, 188, 192, 372; D29/112;
2/209; 181/129, 130, 135; 379/430, 431;
381/380, 381, 374, 74; 455/90.3, 575.1,
455/569.1
CPC H04R 1/1066; H04R 1/1016; H04R 5/033;
H04R 5/0335; H04R 1/10; H04R 25/00
See application file for complete search history.

(56) **References Cited**

U.S. PATENT DOCUMENTS

D315,561 S * 3/1991 Miller D14/192
D316,551 S * 4/1991 Ichikawa D14/205
D318,669 S * 7/1991 Nakayama D14/205
D331,408 S * 12/1992 Ellermeier D14/205

FOREIGN PATENT DOCUMENTS

CN 302414709 S 4/2013
CN 302842069 S 6/2014

(Continued)

Primary Examiner — Paula Allen Greene

(74) *Attorney, Agent, or Firm* — Metis IP LLC

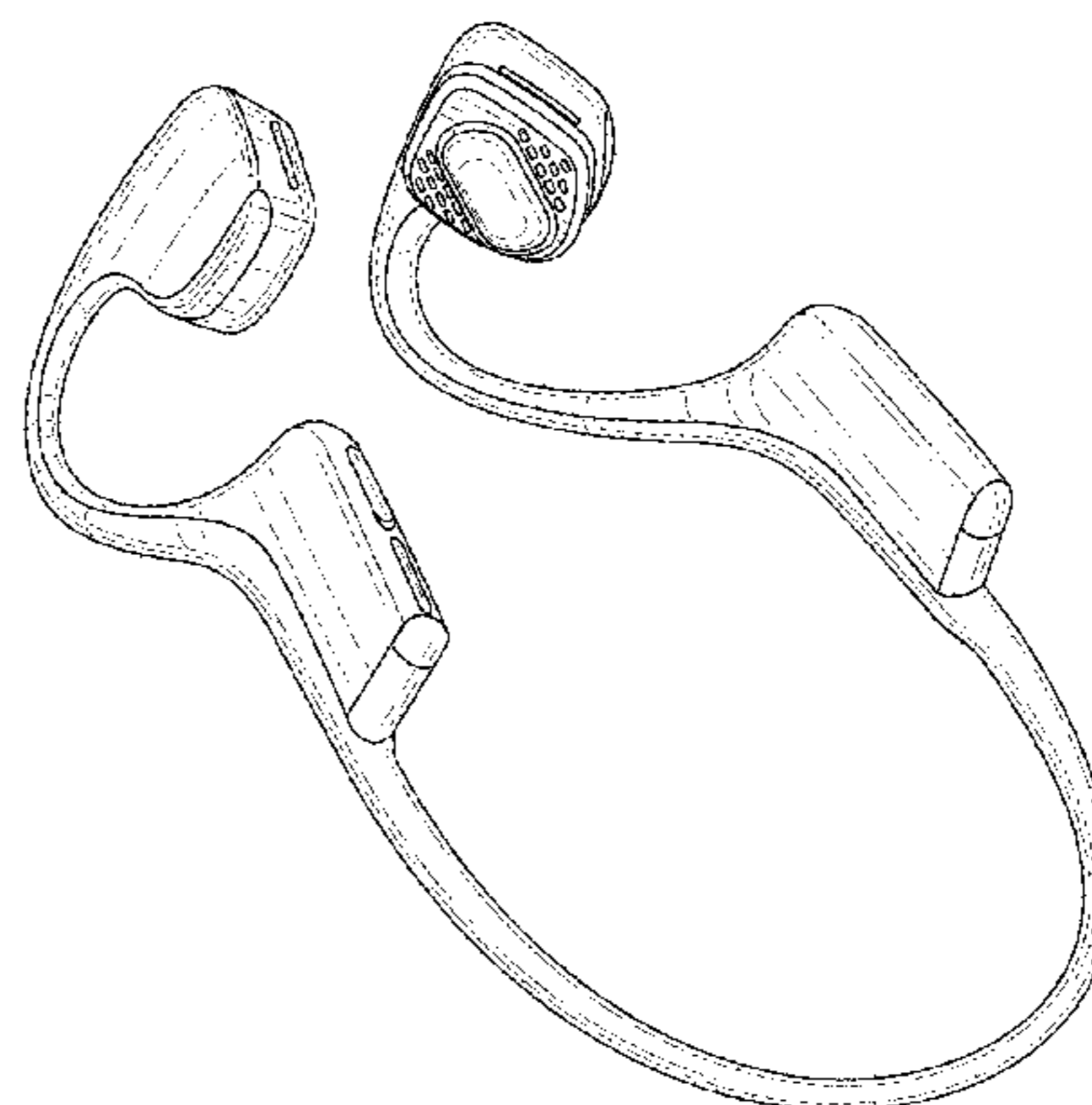
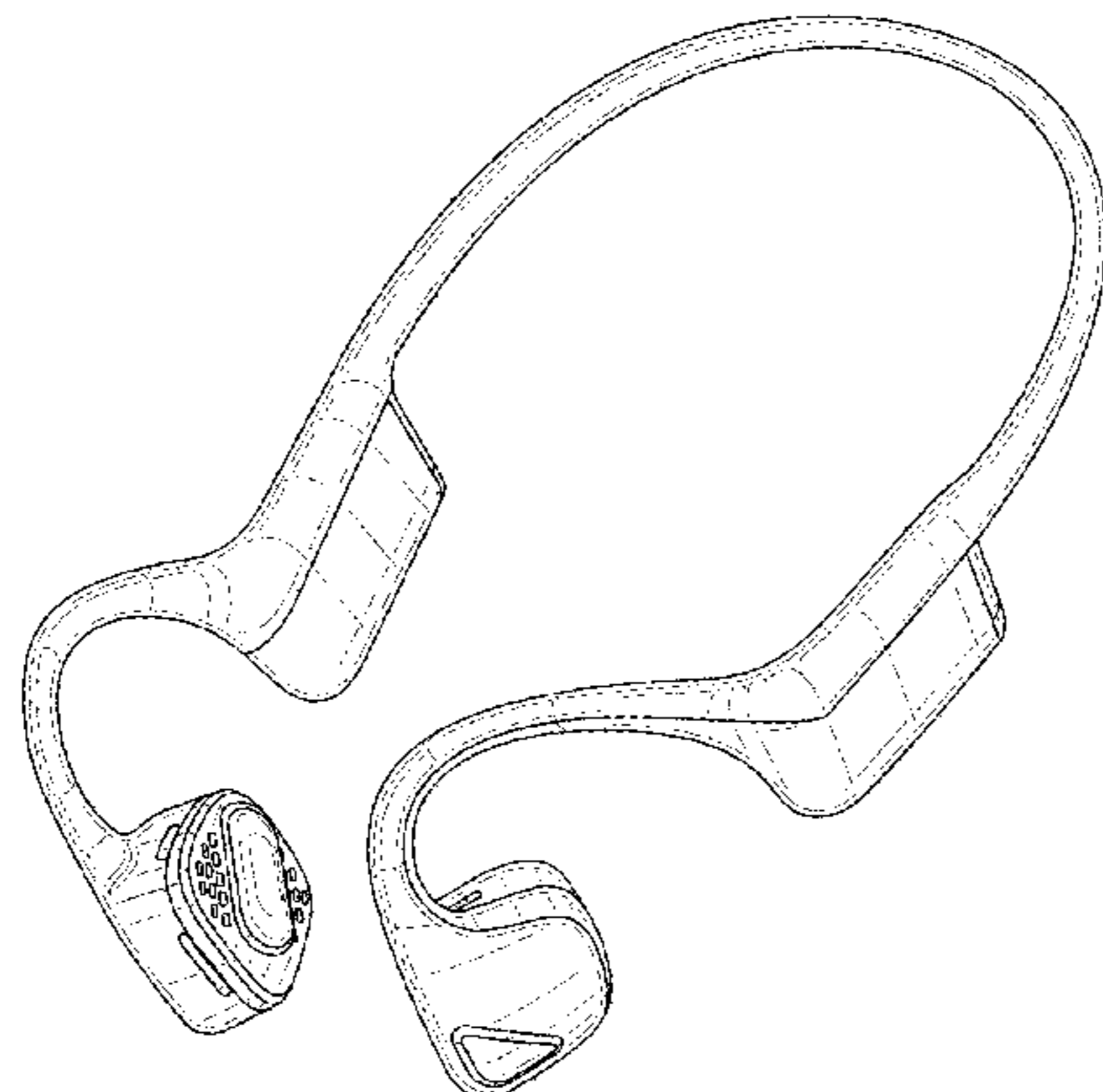
(57) **CLAIM**

The ornamental design for a bone conduction speaker, as shown and described.

DESCRIPTION

FIG. 1 is a perspective view of a bone conduction speaker showing our new design;
FIG. 2 is another perspective view of the bone conduction speaker;
FIG. 3 is a front view thereof;
FIG. 4 is a rear view thereof;
FIG. 5 is a left view thereof;
FIG. 6 is a right view thereof;
FIG. 7 is a top view thereof; and,
FIG. 8 is a bottom view thereof.

1 Claim, 8 Drawing Sheets



(56)

References Cited

U.S. PATENT DOCUMENTS

D575,268 S * 8/2008 Christopher D14/205
 D579,442 S * 10/2008 Kim D14/205
 D604,269 S * 11/2009 Choe D14/205
 D617,308 S * 6/2010 Nousiainen D14/205
 D623,627 S * 9/2010 Alden D14/205
 D653,234 S * 1/2012 Lee D14/205
 D669,881 S * 10/2012 Clements D14/205
 D678,858 S * 3/2013 Feng D14/205
 8,411,893 B2 * 4/2013 Ito H04R 1/1066
 181/135
 8,433,082 B2 * 4/2013 Abolfathi H04R 1/46
 381/151
 8,472,659 B2 * 6/2013 Liow H04R 1/1041
 381/123
 D706,745 S * 6/2014 Nakagawa H04R 1/1066
 D14/205
 D707,199 S * 6/2014 Cephress H04R 1/10
 D14/205
 8,861,770 B2 * 10/2014 Blair H04R 1/1058
 381/378
 D716,759 S * 11/2014 Ha D14/205
 D717,765 S * 11/2014 Rausch D14/205
 D721,673 S * 1/2015 Park D14/205
 D722,999 S * 2/2015 Ishikura D14/205
 D740,785 S * 10/2015 Chen D14/205

D756,958 S * 5/2016 Lee D14/205
 D756,959 S * 5/2016 Lee D14/205
 D763,821 S * 8/2016 Leopardi D14/205
 D766,869 S * 9/2016 Lee D14/205
 D771,587 S * 11/2016 Iwane D14/205
 D790,501 S * 6/2017 Wang D14/205
 D790,502 S * 6/2017 Qi D14/205
 D791,100 S * 7/2017 Chen D14/205
 9,788,097 B2 * 10/2017 Bullen H04R 1/1041
 D810,719 S * 2/2018 Nagamine D14/205
 D823,279 S * 7/2018 Chen D14/205
 D829,190 S * 9/2018 Bullen D14/205
 2013/0329903 A1 * 12/2013 Ting H04R 1/105
 381/74
 2014/0185837 A1 * 7/2014 Kunimoto H04R 1/1075
 381/151

FOREIGN PATENT DOCUMENTS

CN 303287444 S 7/2015
 CN 303287619 S 7/2015
 CN 303403539 S 10/2015
 CN 303541984 S 1/2016
 CN 303541985 S 1/2016
 CN 303701479 S 6/2016
 CN 303931552 S 11/2016
 CN 303978564 S 12/2016

* cited by examiner

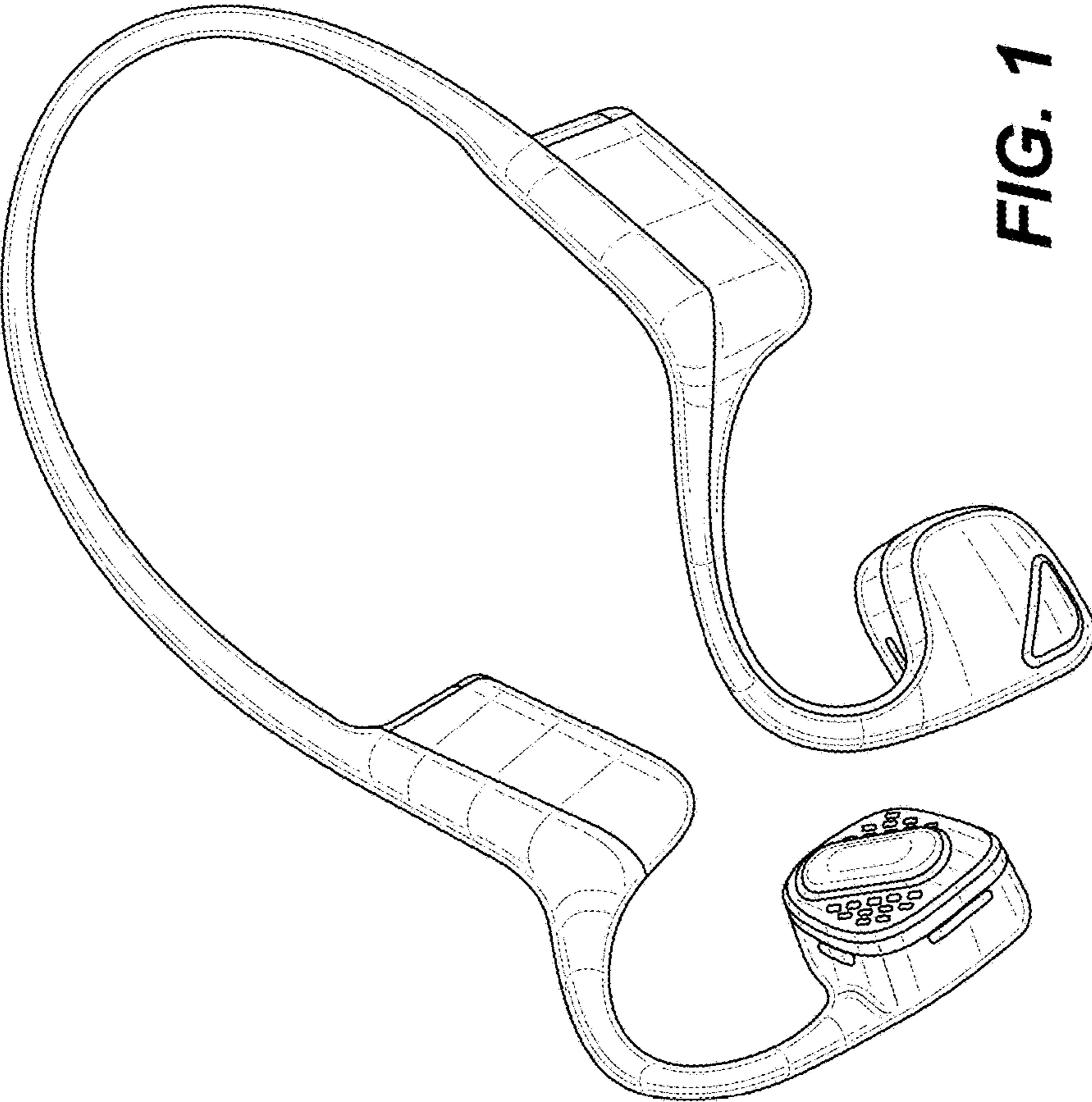


FIG. 1

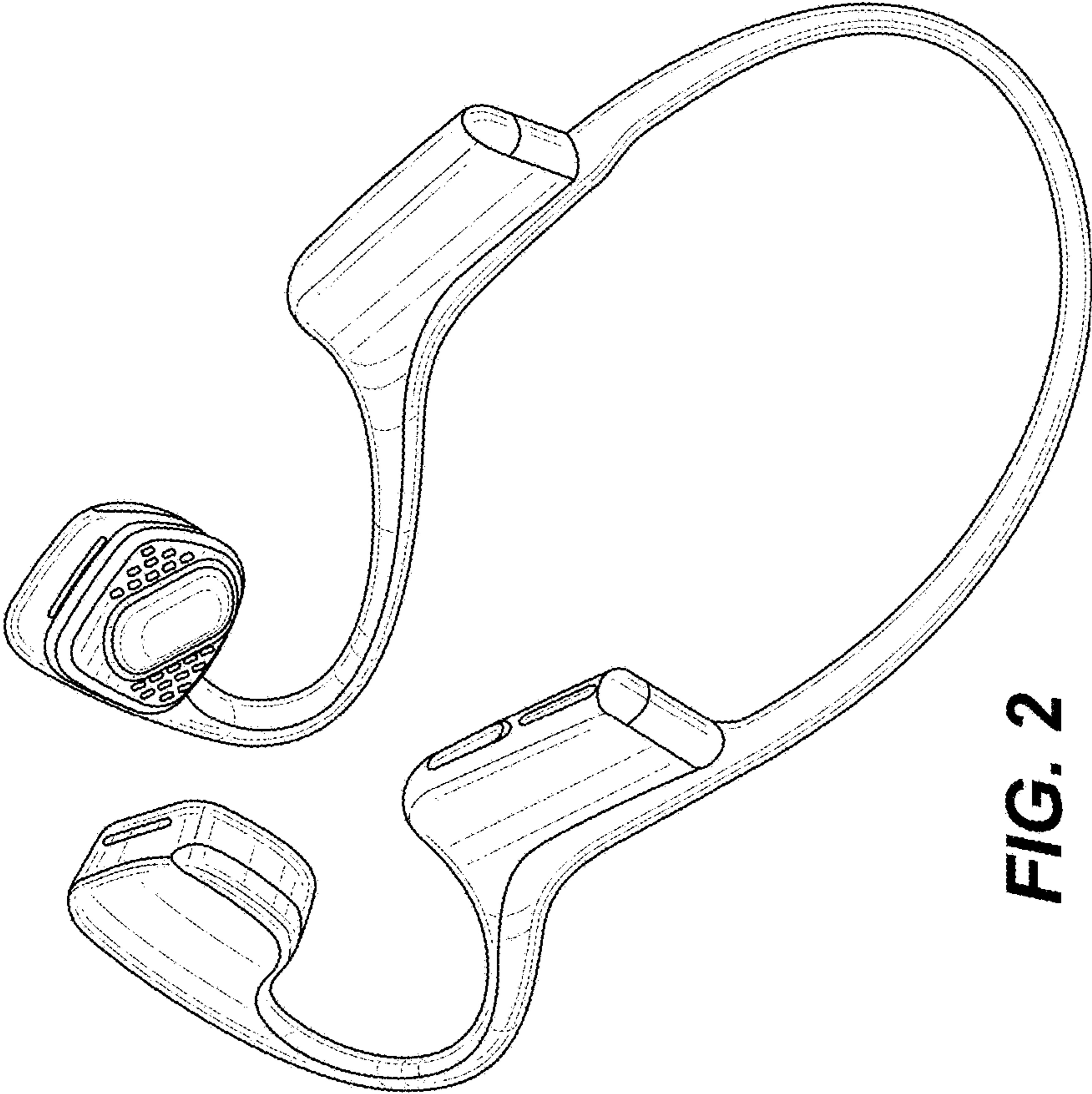


FIG. 2

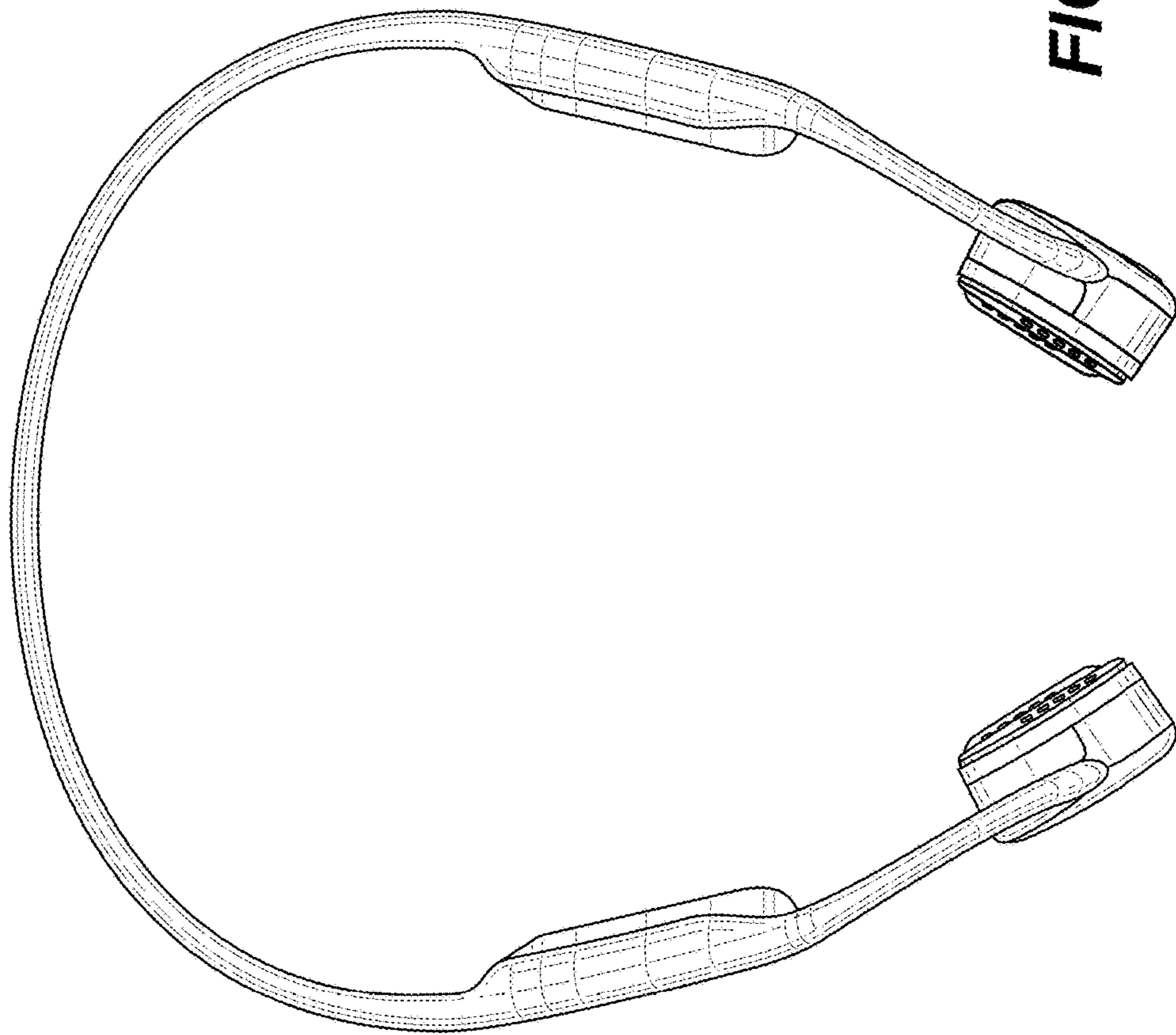


FIG. 3

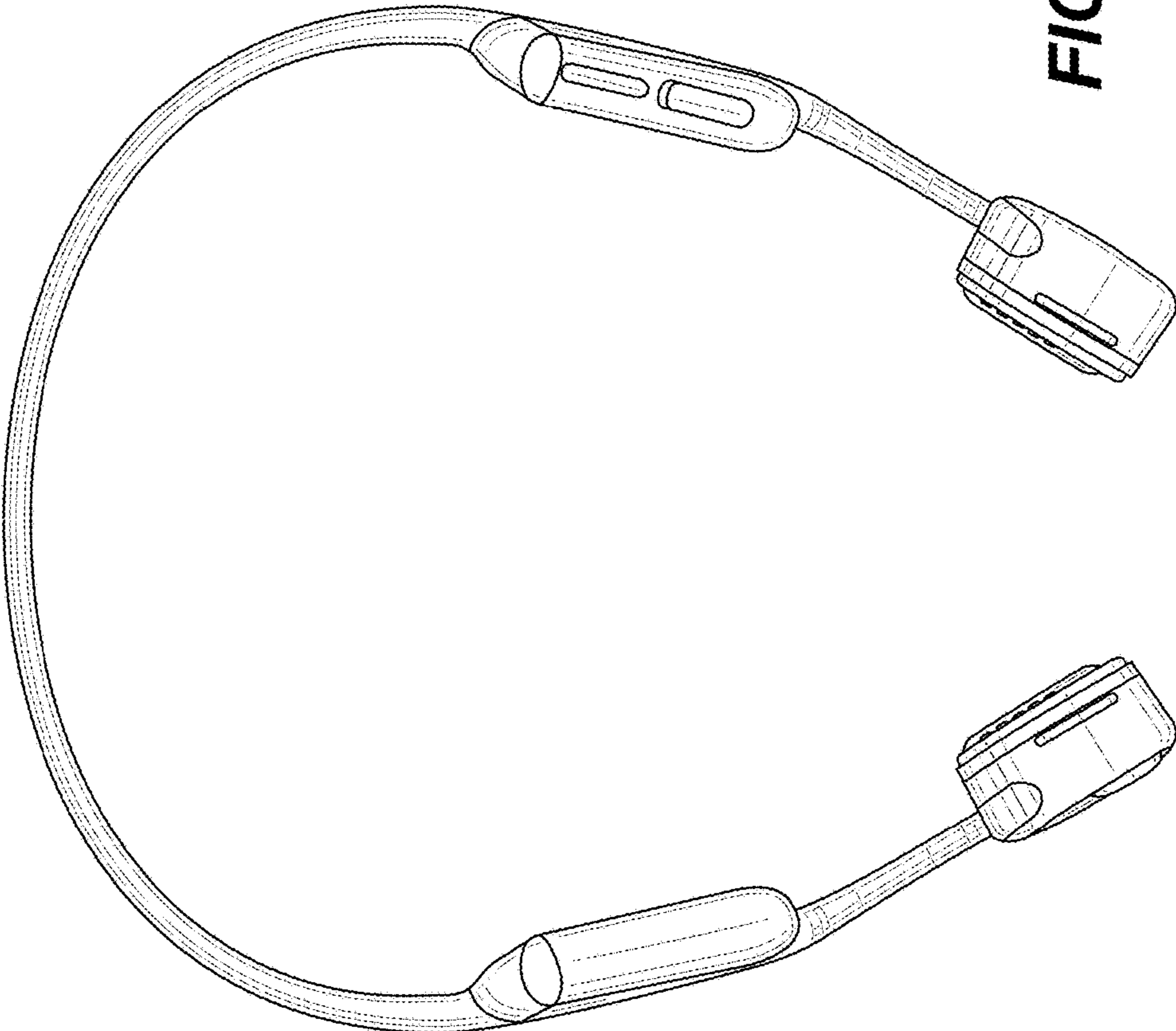


FIG. 4

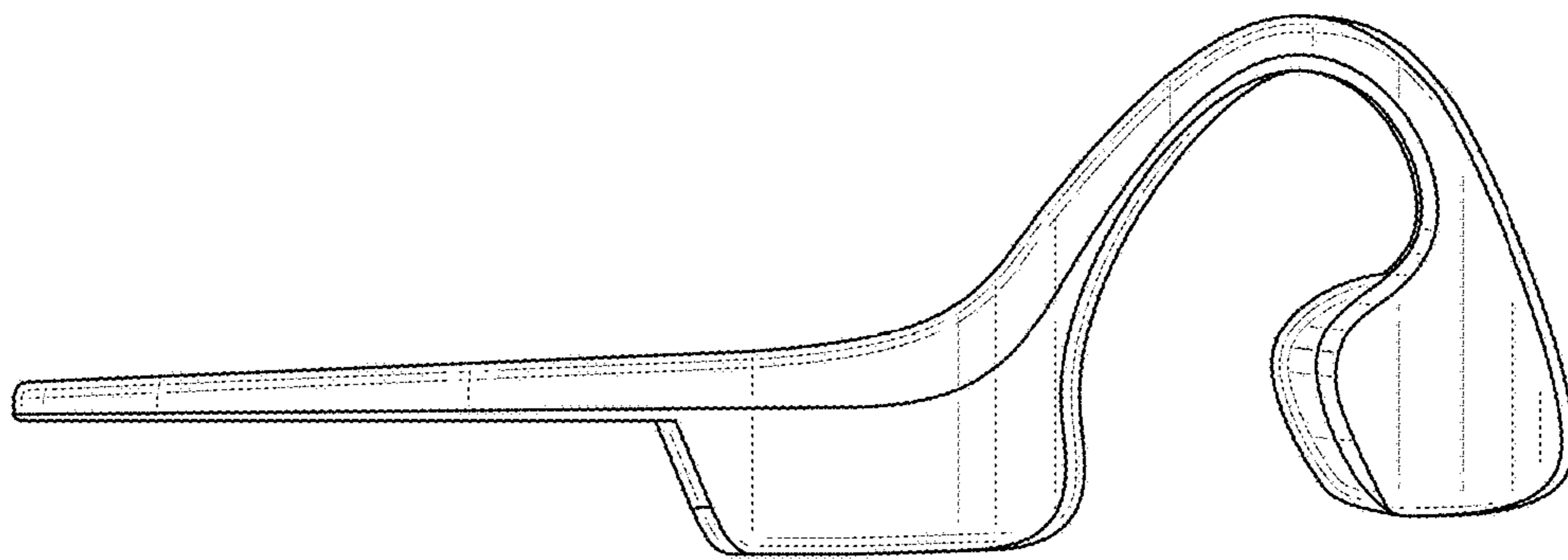


FIG. 5

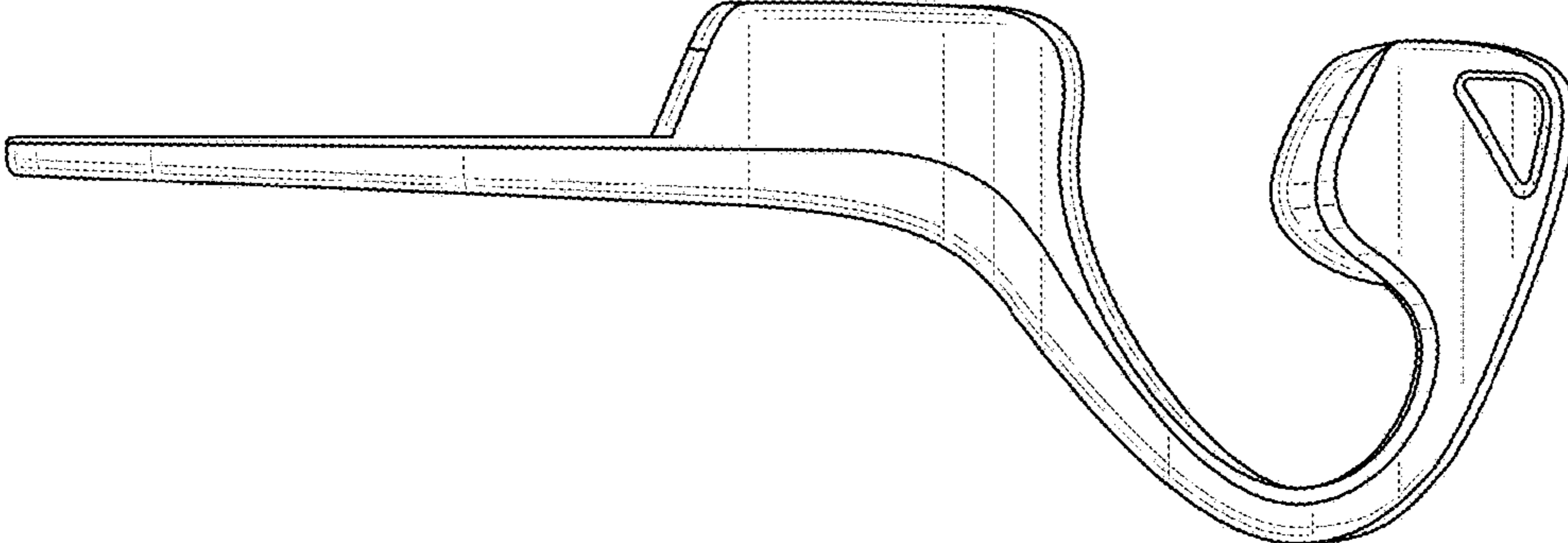


FIG. 6

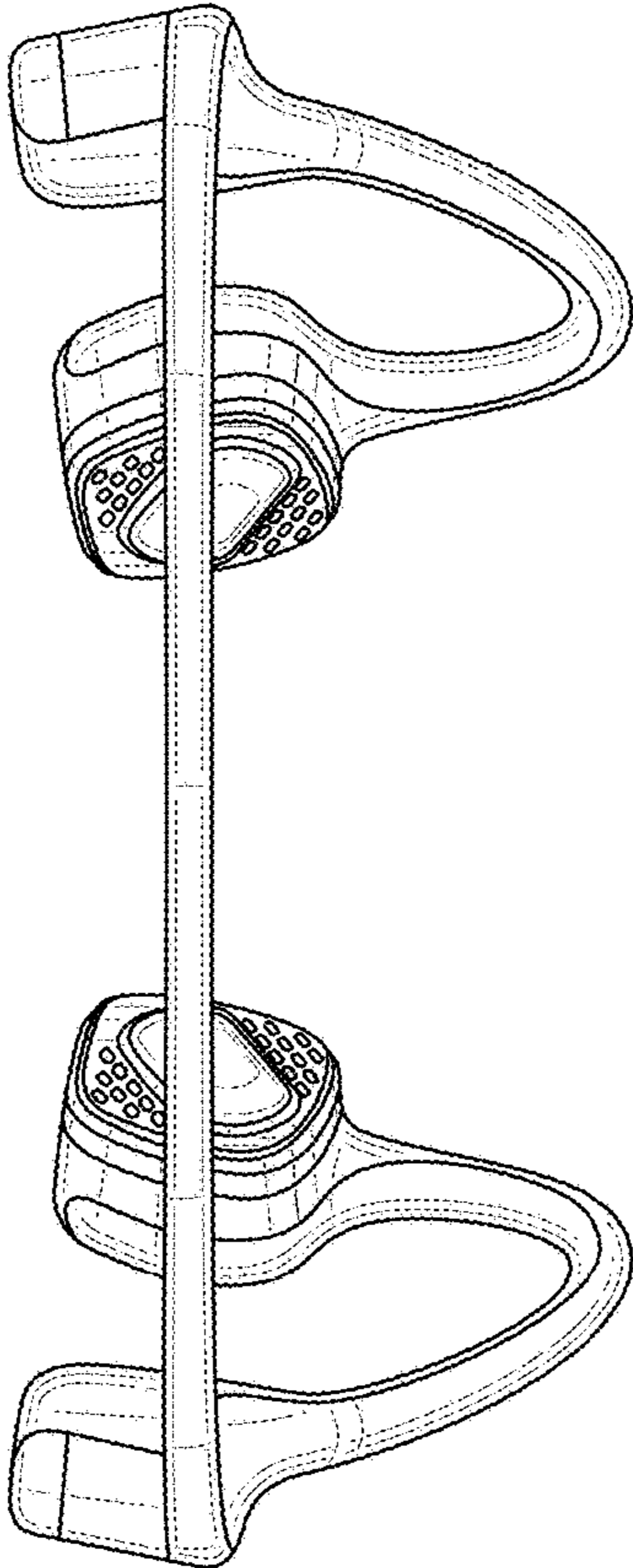


FIG. 7

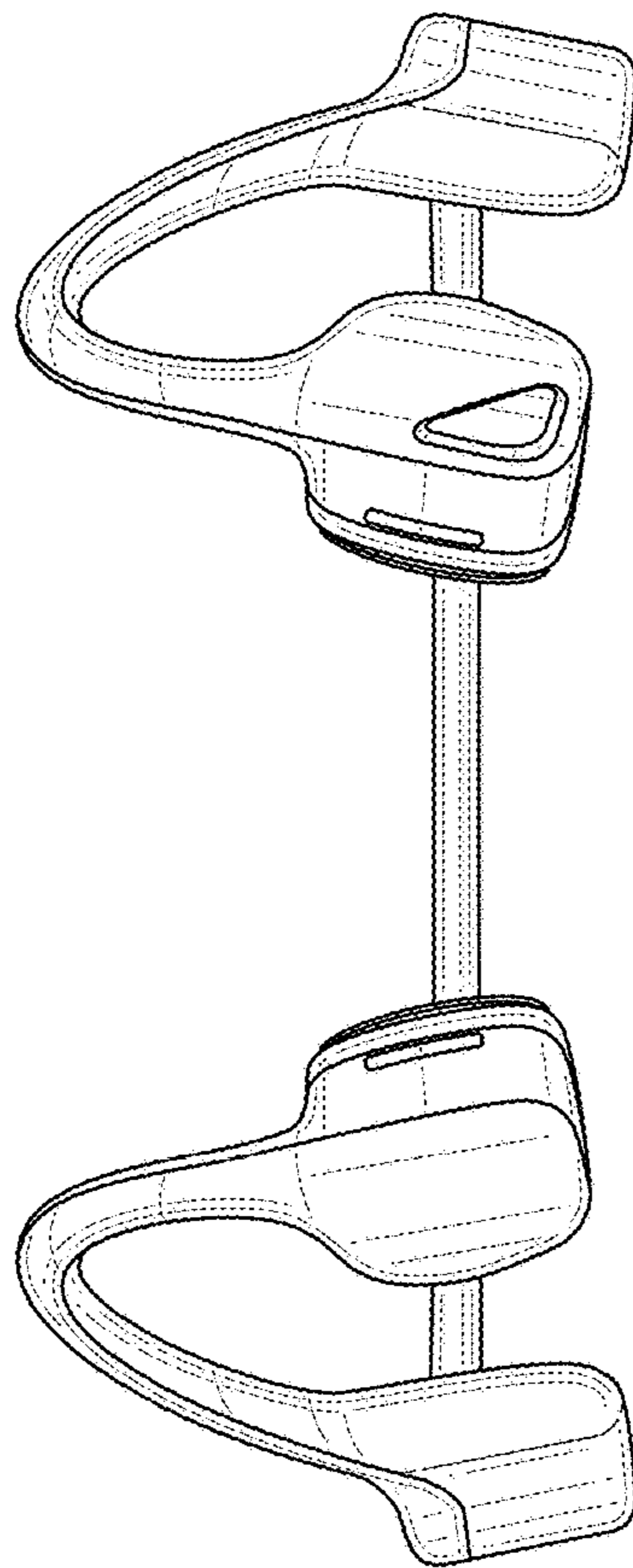


FIG. 8