



US00D851622S

(12) **United States Design Patent**
Billaudet et al.

(10) **Patent No.:** **US D851,622 S**
(45) **Date of Patent:** **** Jun. 18, 2019**

(54) **HEADPHONE**

(71) Applicant: **AKG Acoustics GmbH**, Vienna (AT)

(72) Inventors: **Patrice Billaudet**, Markt Piesting (AT);
Berthold Pavitsich, Müllendorf (AT);
Tibor Pataky, Drösing (AT)

(73) Assignee: **AKG Acoustics GmbH**, Vienna (AT)

(**) Term: **15 Years**

(21) Appl. No.: **29/599,051**

(22) Filed: **Mar. 30, 2017**

(51) **LOC (11) Cl.** **14-01**

(52) **U.S. Cl.**
USPC **D14/205**

(58) **Field of Classification Search**
USPC D14/205; D29/112; 2/209; 181/129,
181/130, 135; 379/430, 431; 381/380,
381/381, 74, 374, 183; 455/90.3, 575.1,
455/569.1
CPC H04R 1/1066; H04R 1/1016; H04R 5/033;
H04R 5/0335; H04R 25/00; H04R 1/10;
H04R 1/1058; H04R 1/1083
See application file for complete search history.

(56) **References Cited**

U.S. PATENT DOCUMENTS

- 1,483,315 A * 2/1924 Saal H04R 1/1066
381/374
- 2,486,267 A * 10/1949 Dulinsky H04R 5/0335
381/377
- 2,993,962 A * 7/1961 Hothem H04M 1/05
379/430
- 3,087,028 A * 4/1963 Bonnin H04M 1/05
2/209
- 3,192,326 A * 6/1965 Chapman H04M 1/05
264/48
- D203,677 S * 2/1966 Spillman D14/205
- 3,505,684 A * 4/1970 Hutchinson A61F 11/14
2/209

- D229,833 S * 1/1974 Becker D14/205
- 5,406,037 A * 4/1995 Nageno H04R 5/0335
181/129
- D358,390 S * 5/1995 Hayashi D14/205
- D373,360 S * 9/1996 Kanno D14/205

(Continued)

Primary Examiner — Paula Allen Greene

(74) *Attorney, Agent, or Firm* — Plumsea Law Group,
LLC

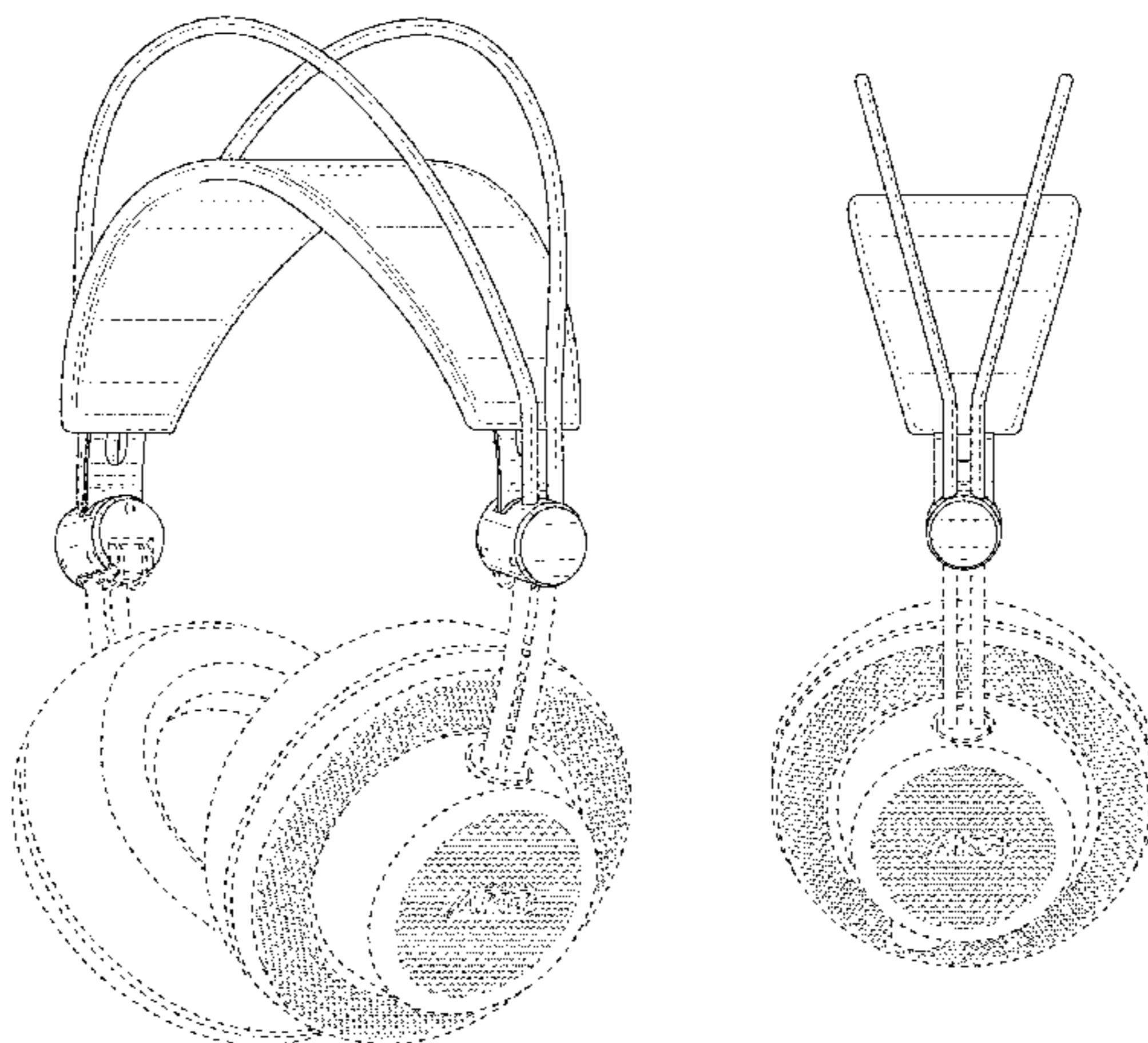
(57) **CLAIM**

The ornamental design for a headphone, as shown and described.

DESCRIPTION

FIG. 1 is a perspective view of a headphone showing the new design;
 FIG. 2 is a front elevational view thereof;
 FIG. 3 is a rear elevational view thereof;
 FIG. 4 is a side elevational view of one side thereof;
 FIG. 5 is a side elevational view of the opposite side thereof;
 FIG. 6 is a top plan view thereof;
 FIG. 7 is a bottom plan view thereof;
 FIG. 8 is a perspective view thereof, shown in a folded configuration;
 FIG. 9 is a perspective view of another embodiment of a headphone showing the new design;
 FIG. 10 is a front elevational view thereof;
 FIG. 11 is a rear elevational view thereof;
 FIG. 12 is a side elevational view of one side thereof;
 FIG. 13 is a side elevational view of the opposite side thereof;
 FIG. 14 is a top plan view thereof;
 FIG. 15 is a bottom plan view thereof; and,
 FIG. 16 is a perspective view thereof, shown in a folded configuration.
 The broken lines and unshaded areas form no part of the claimed design.

1 Claim, 16 Drawing Sheets



(56)

References Cited

U.S. PATENT DOCUMENTS

5,574,795 A * 11/1996 Seki H04R 5/0335
 381/370
 D391,573 S * 3/1998 Nakamura D14/205
 D409,197 S * 5/1999 Nakamura D14/205
 D410,466 S * 6/1999 Mouri D14/205
 6,006,115 A * 12/1999 Wingate H04M 1/6033
 379/110.01
 D420,356 S * 2/2000 Suzuki D14/205
 D457,512 S * 5/2002 Yoneda D14/205
 D473,539 S * 4/2003 O'Leary D14/205
 6,678,897 B2 * 1/2004 Lindgren A61F 11/14
 181/129
 D517,045 S * 3/2006 Komiyama D14/205
 D525,237 S * 7/2006 Viduya D14/223
 D556,187 S * 11/2007 Feng D14/205
 D560,654 S * 1/2008 Feng D14/205
 D567,215 S * 4/2008 Lee D14/205
 D570,825 S * 6/2008 Schultz D14/205
 D633,896 S * 3/2011 Kondo D14/205
 D661,685 S * 6/2012 Lee D14/205
 D668,633 S * 10/2012 Enquist D14/205
 D695,263 S * 12/2013 Mogili D14/205
 D722,590 S * 2/2015 Lu D14/205
 D724,560 S * 3/2015 Galler D14/205
 D810,718 S * 2/2018 Galler D14/205
 2012/0243703 A1 * 9/2012 Huang H04R 5/0335
 381/74

* cited by examiner

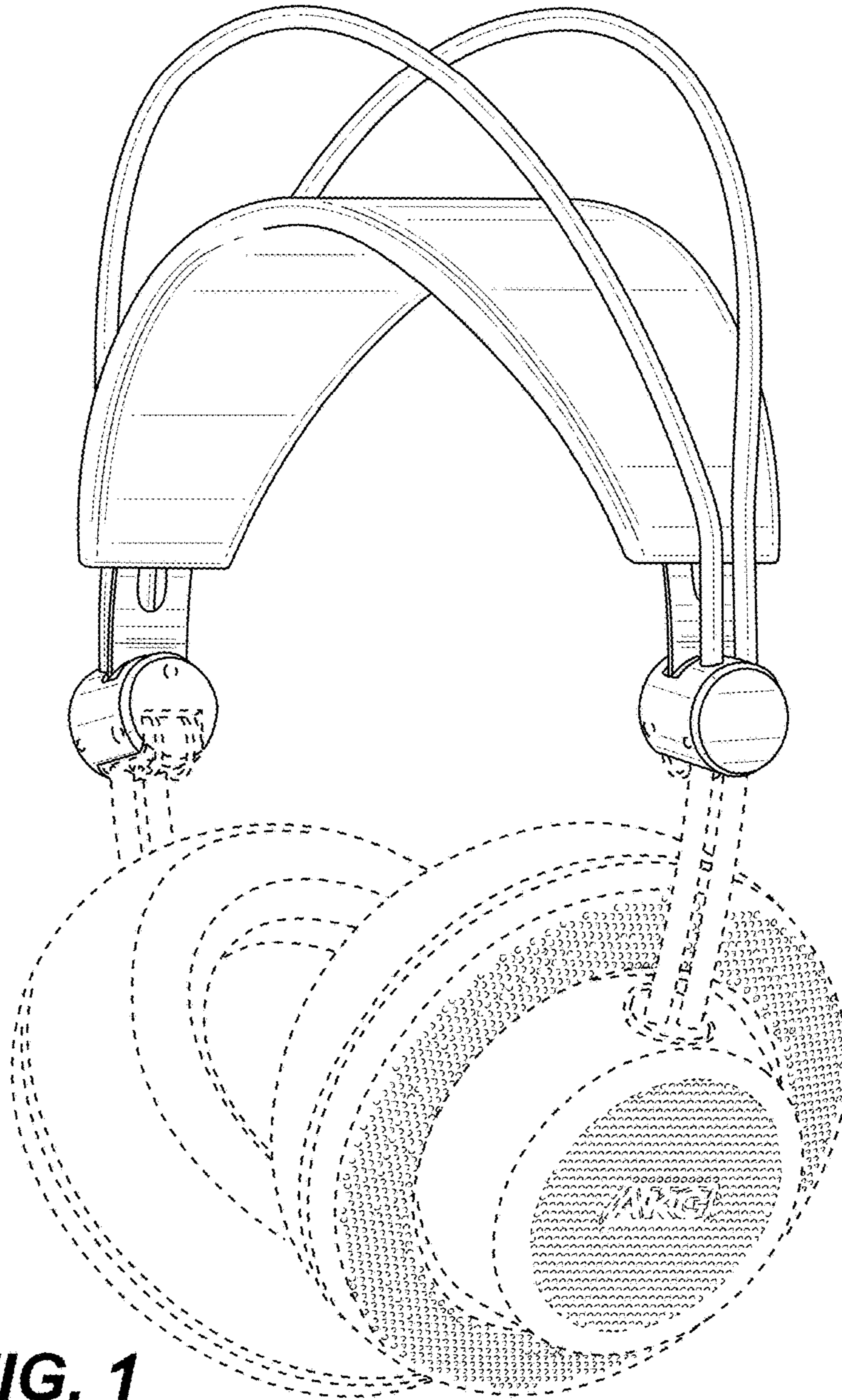


FIG. 1

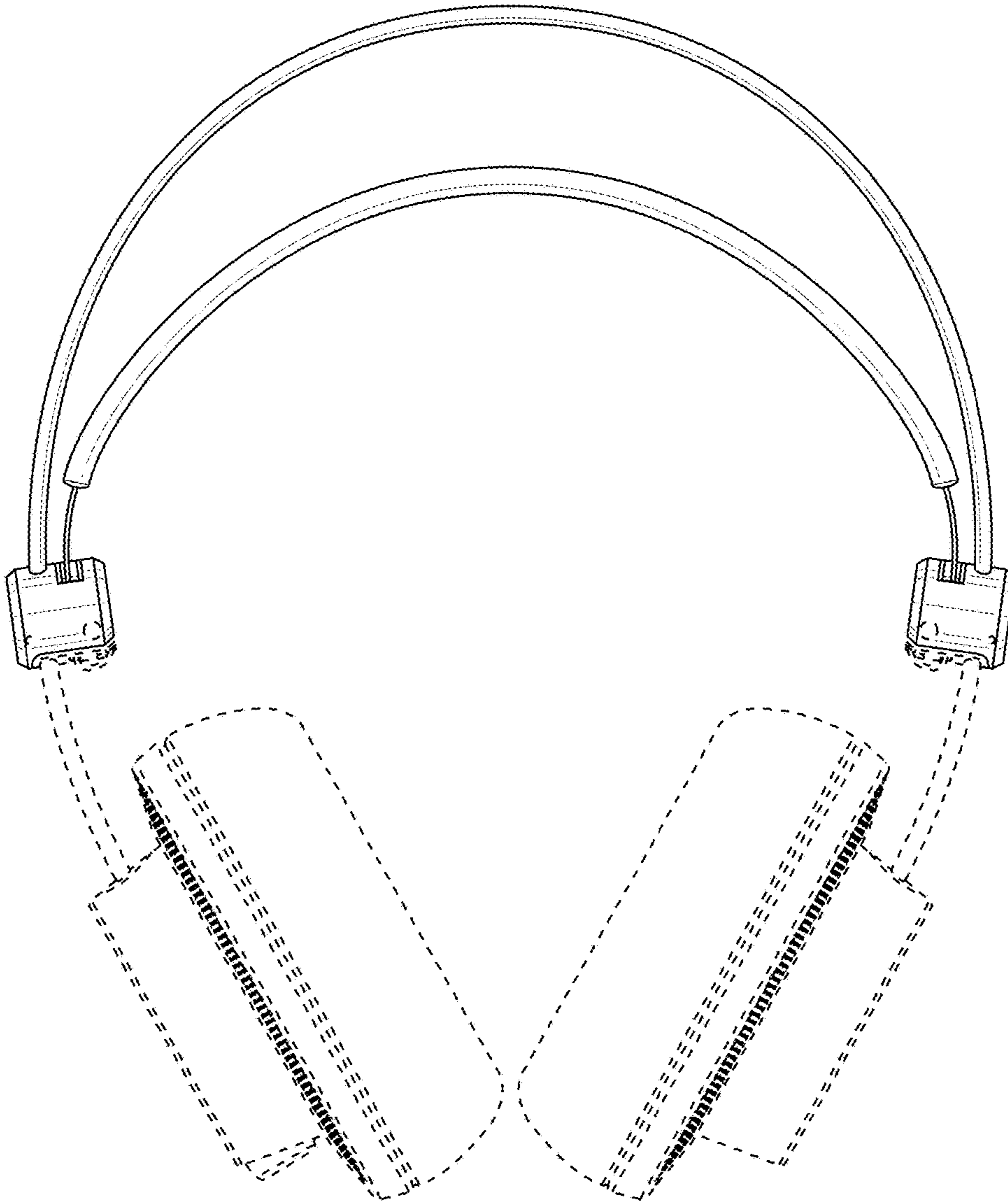


FIG. 2

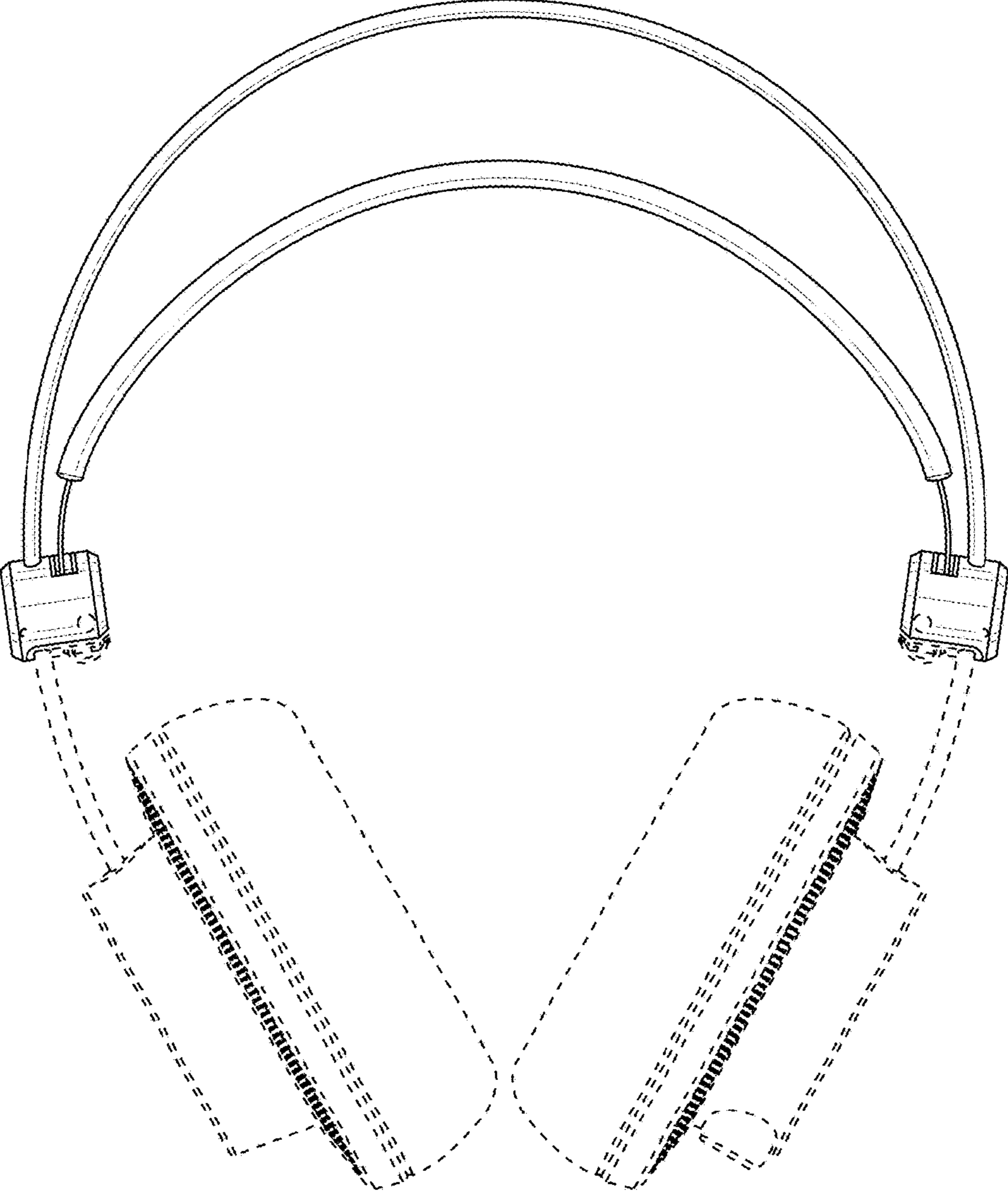


FIG. 3

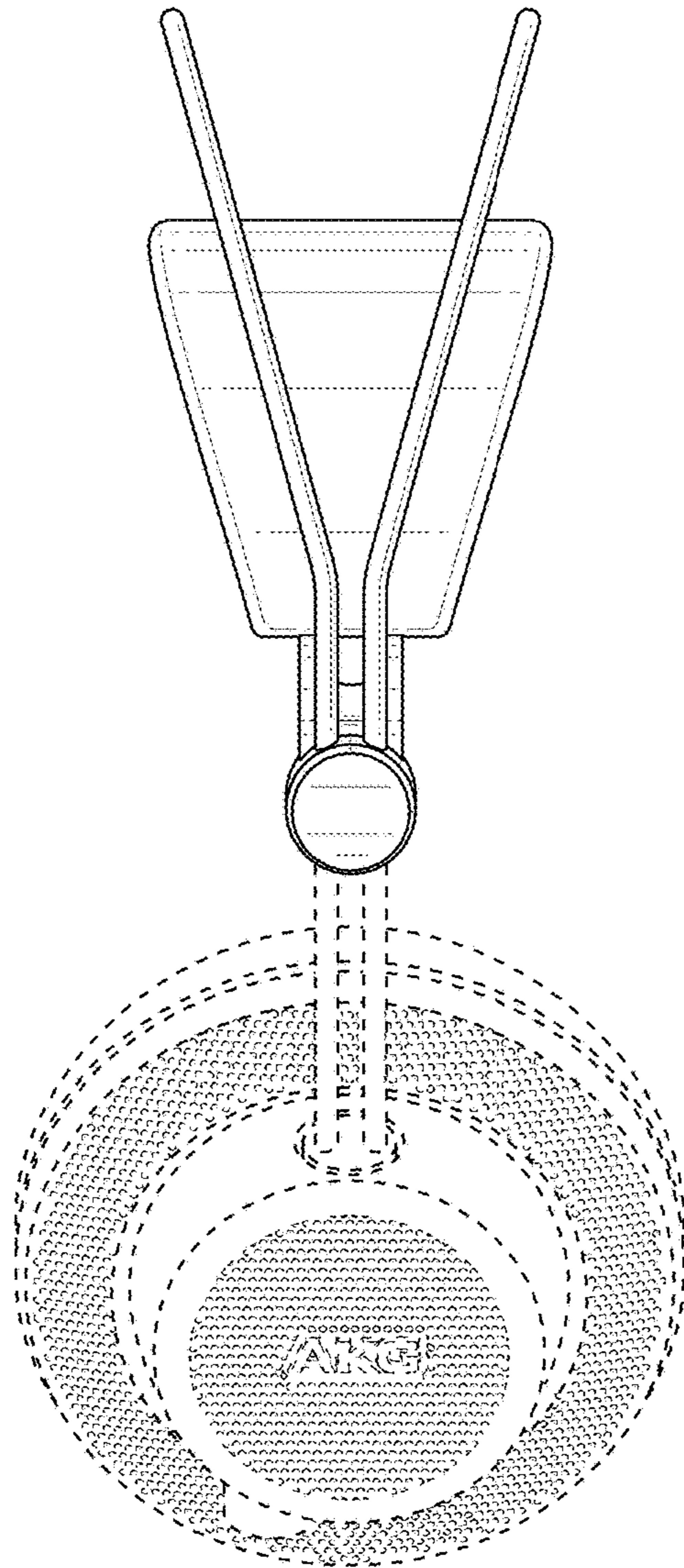


FIG. 4

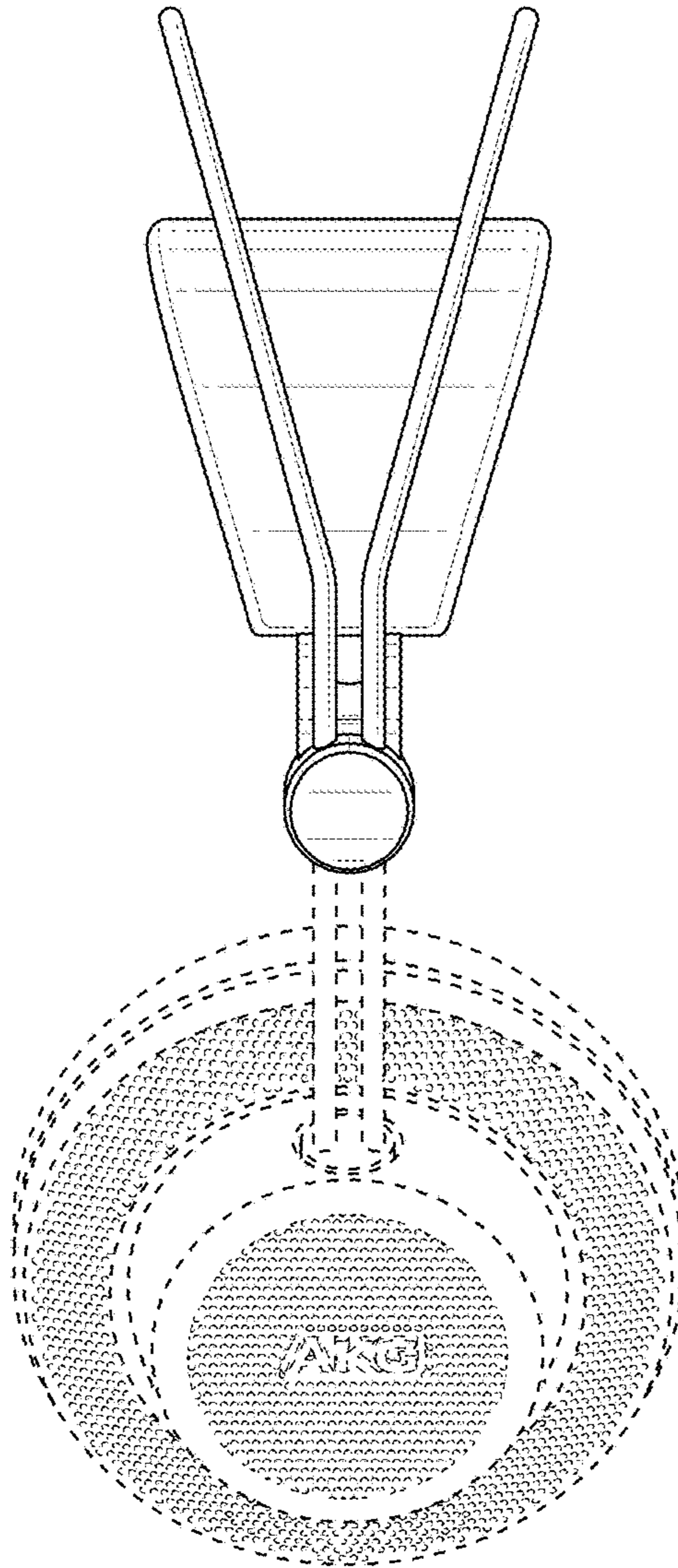


FIG. 5

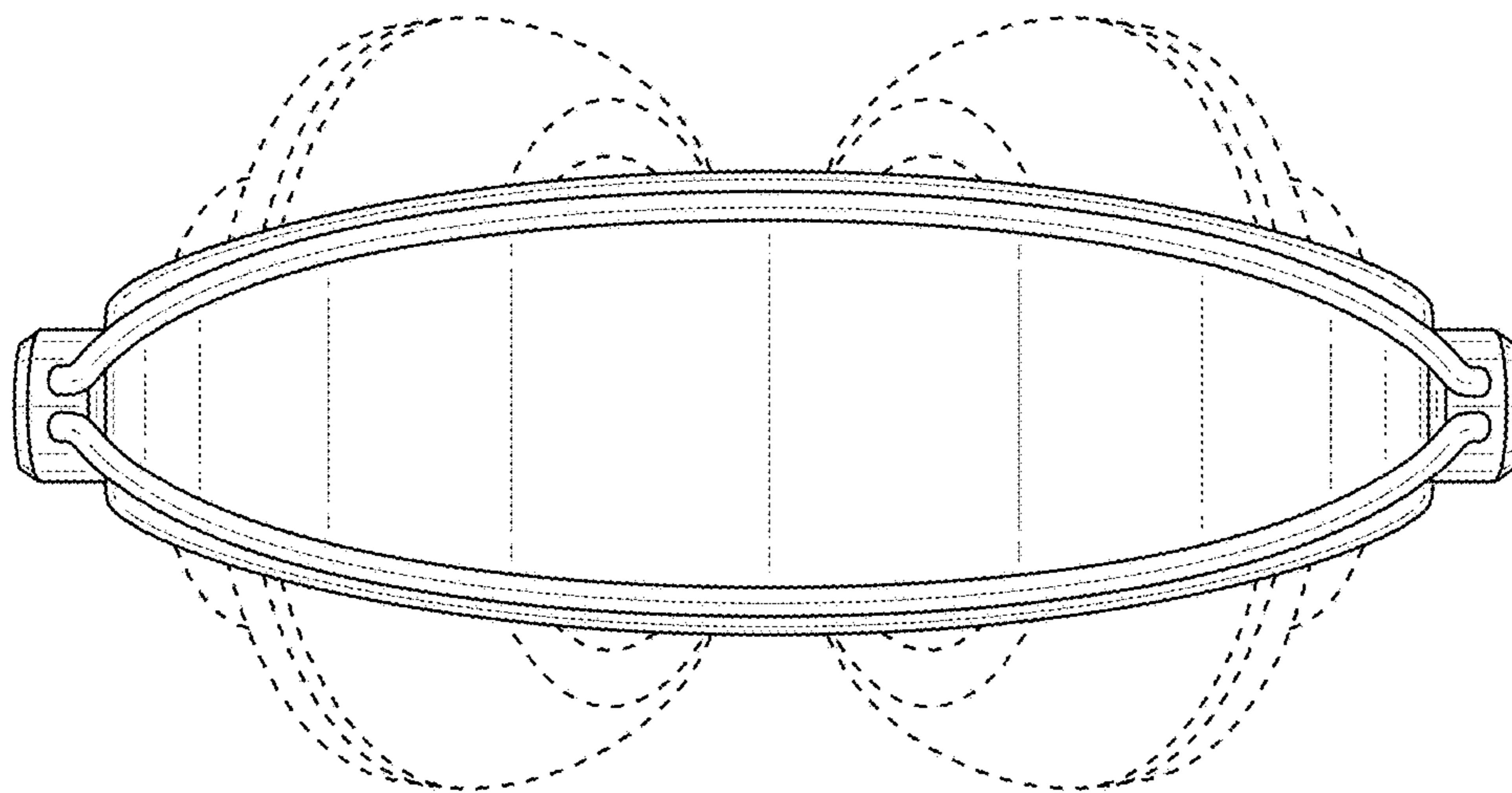


FIG. 6

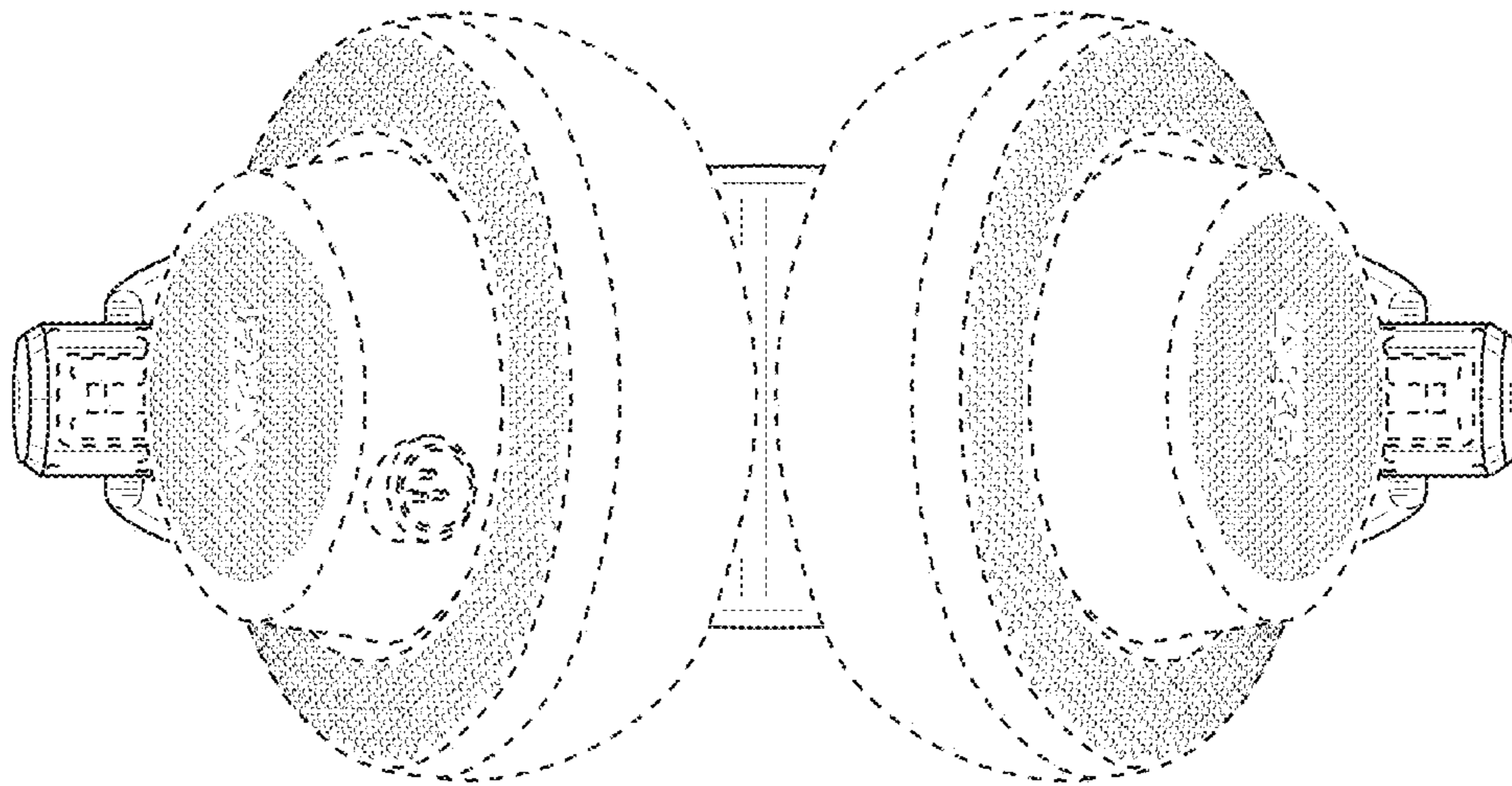


FIG. 7

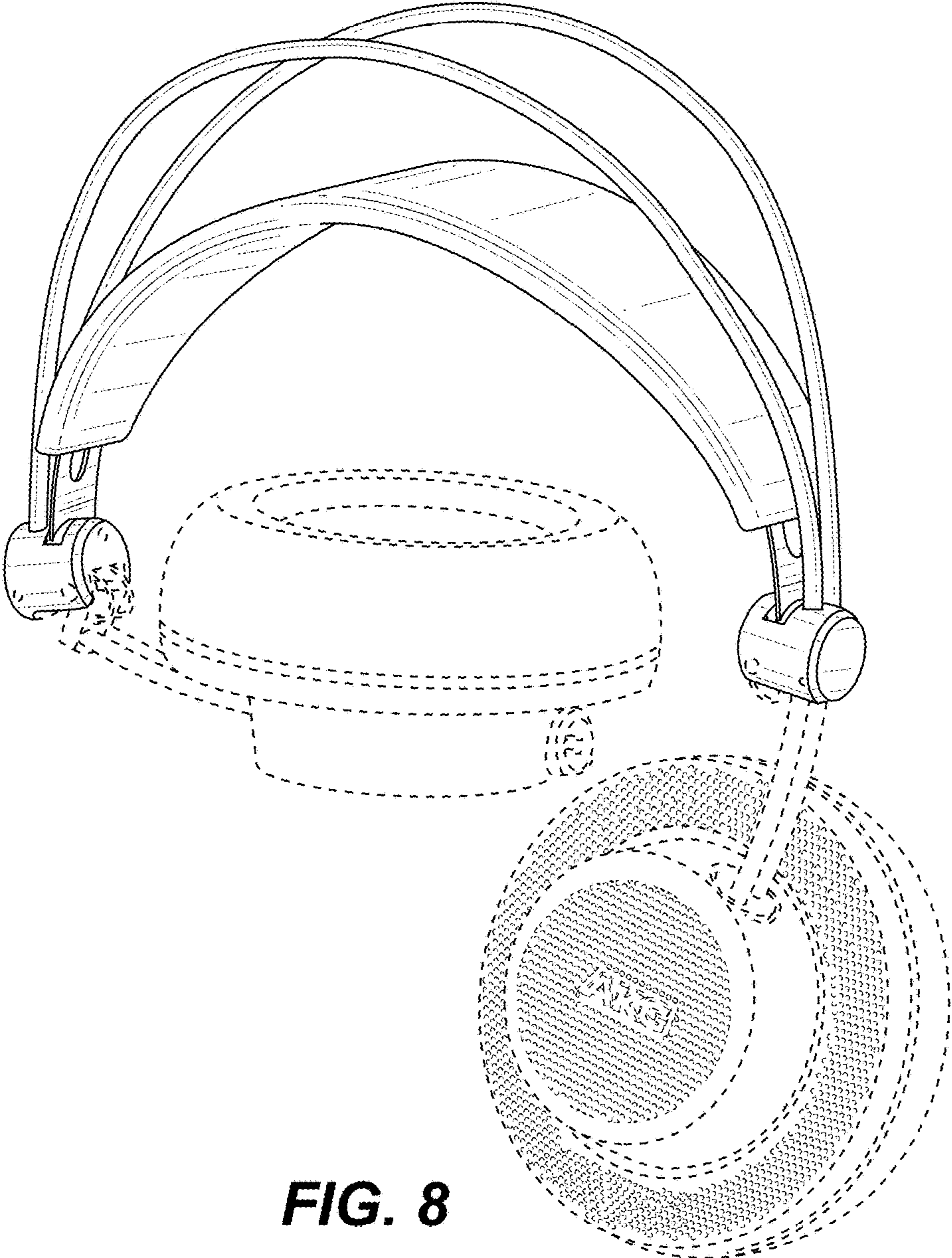


FIG. 8

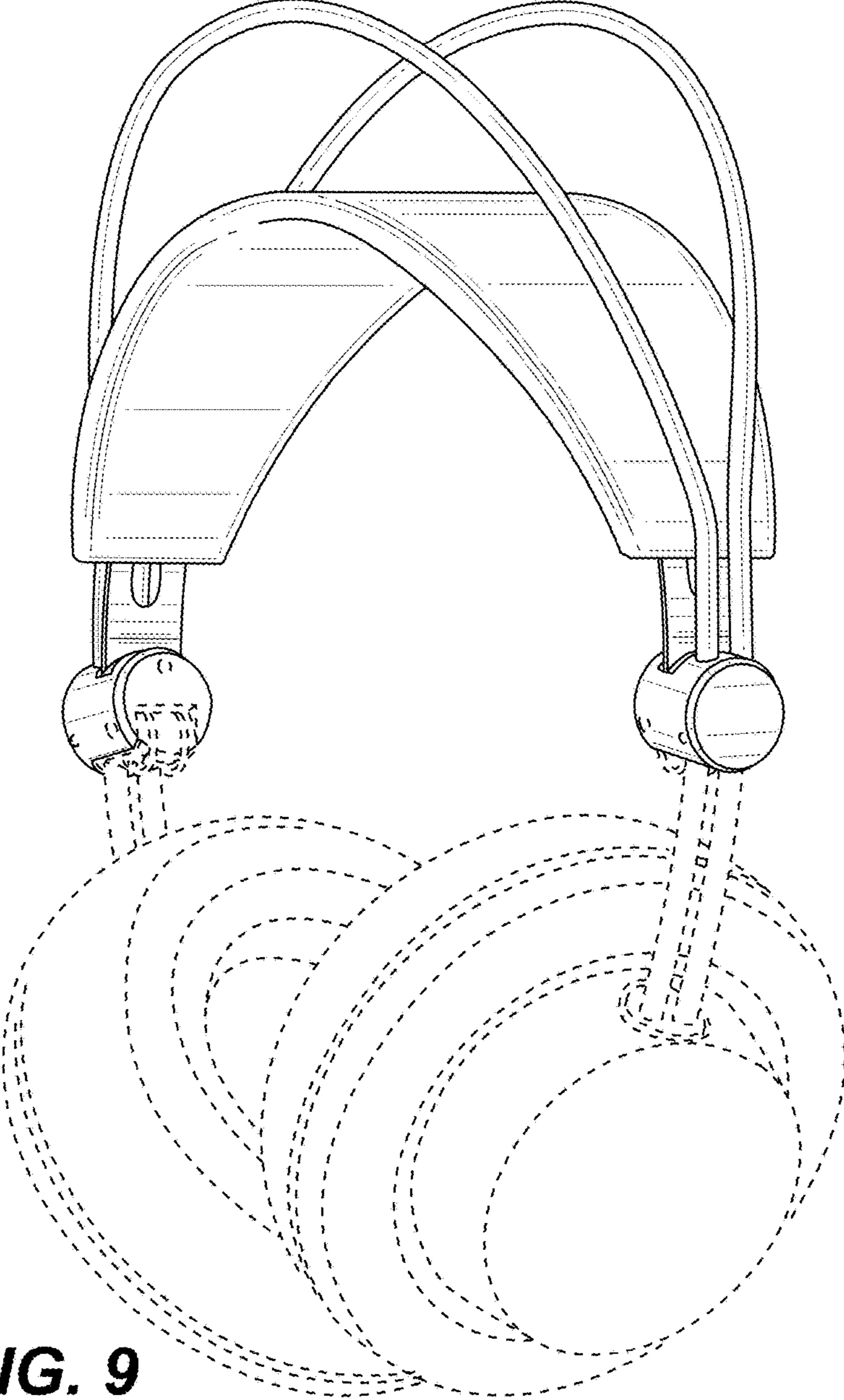


FIG. 9

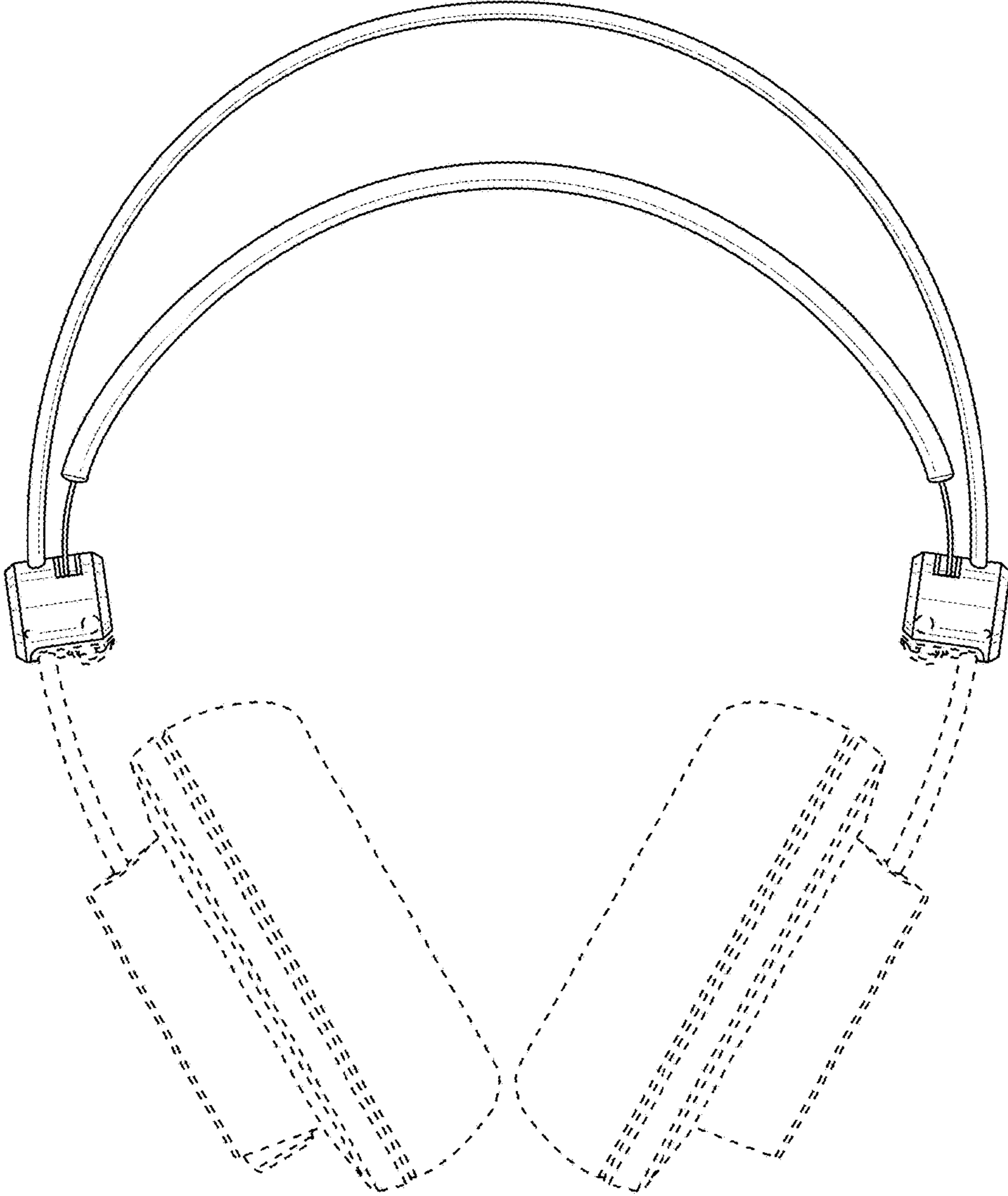


FIG. 10

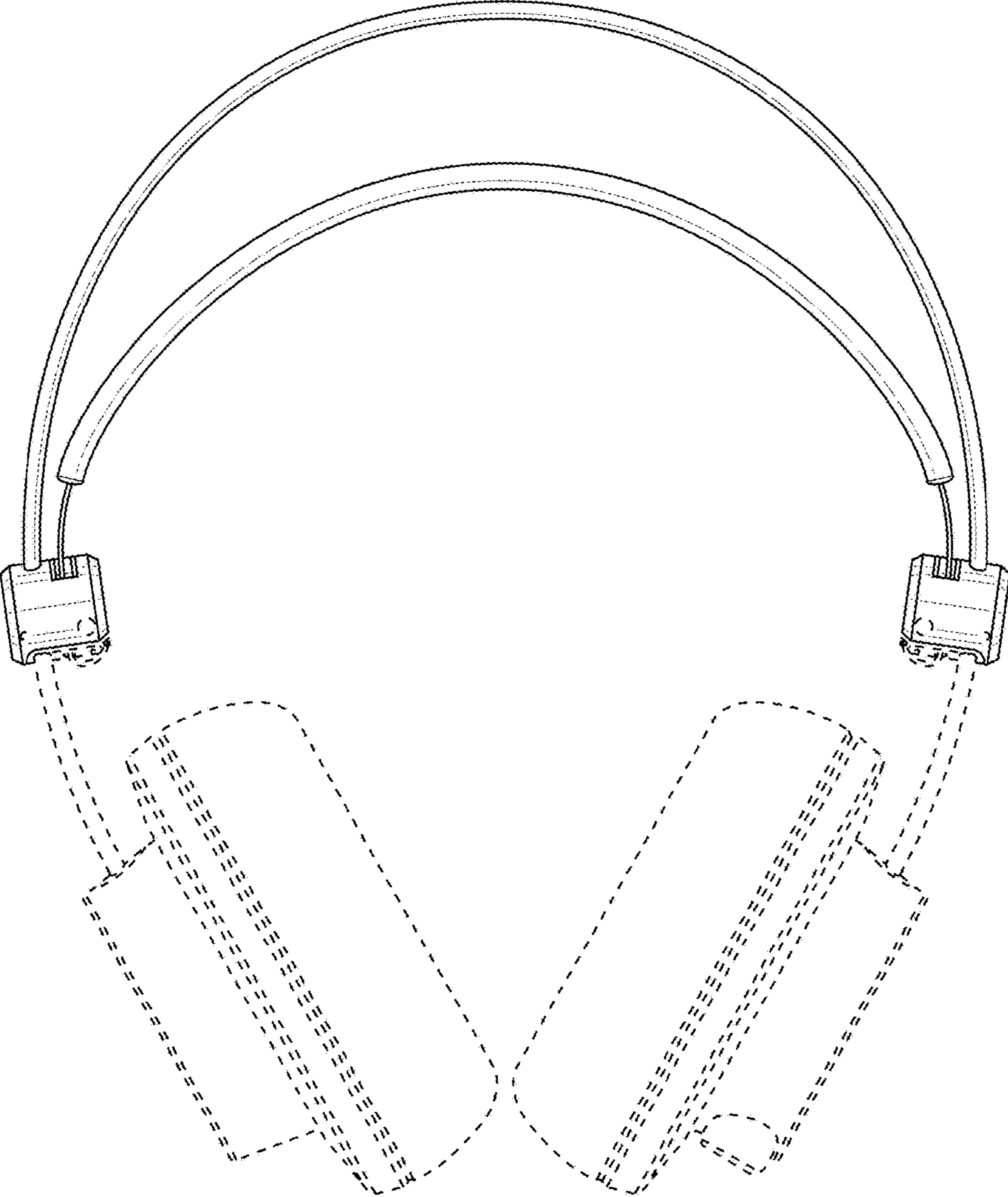


FIG. 11

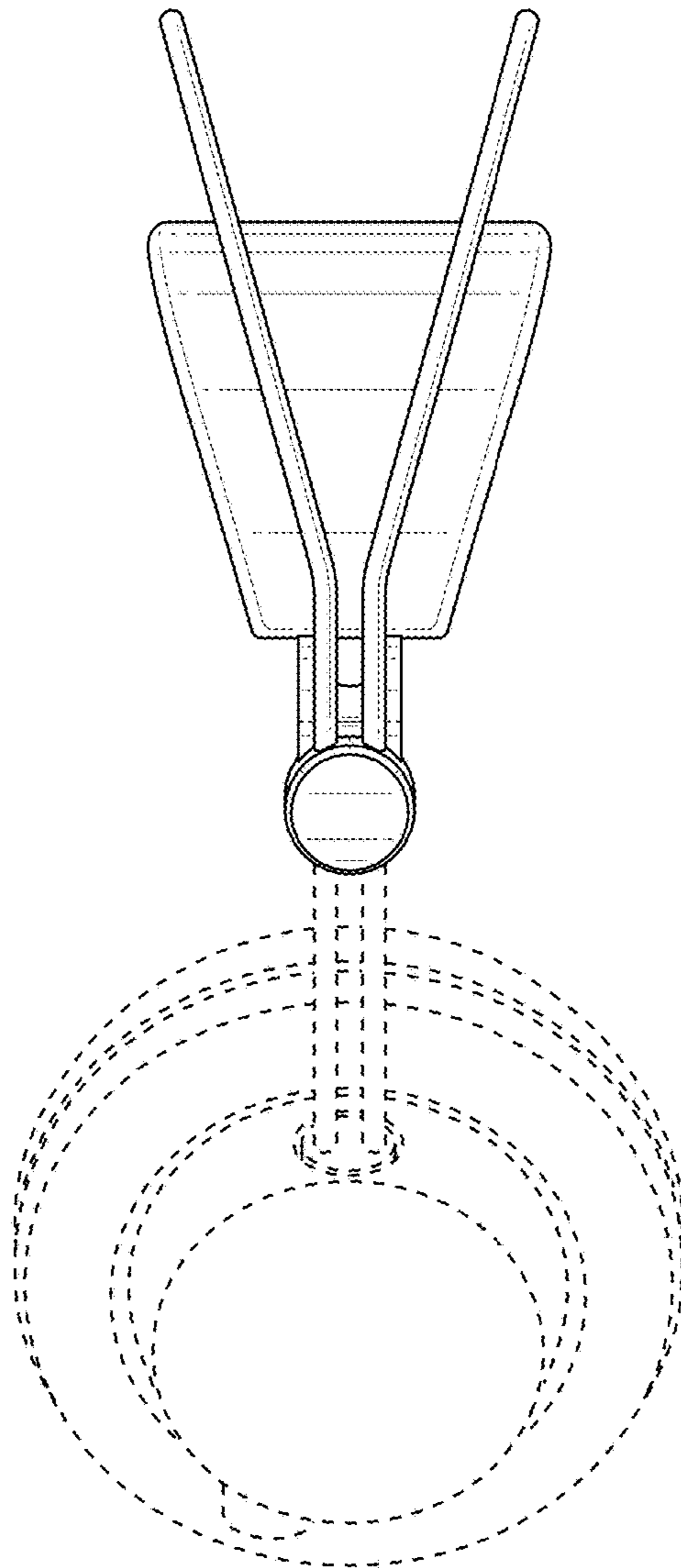


FIG. 12

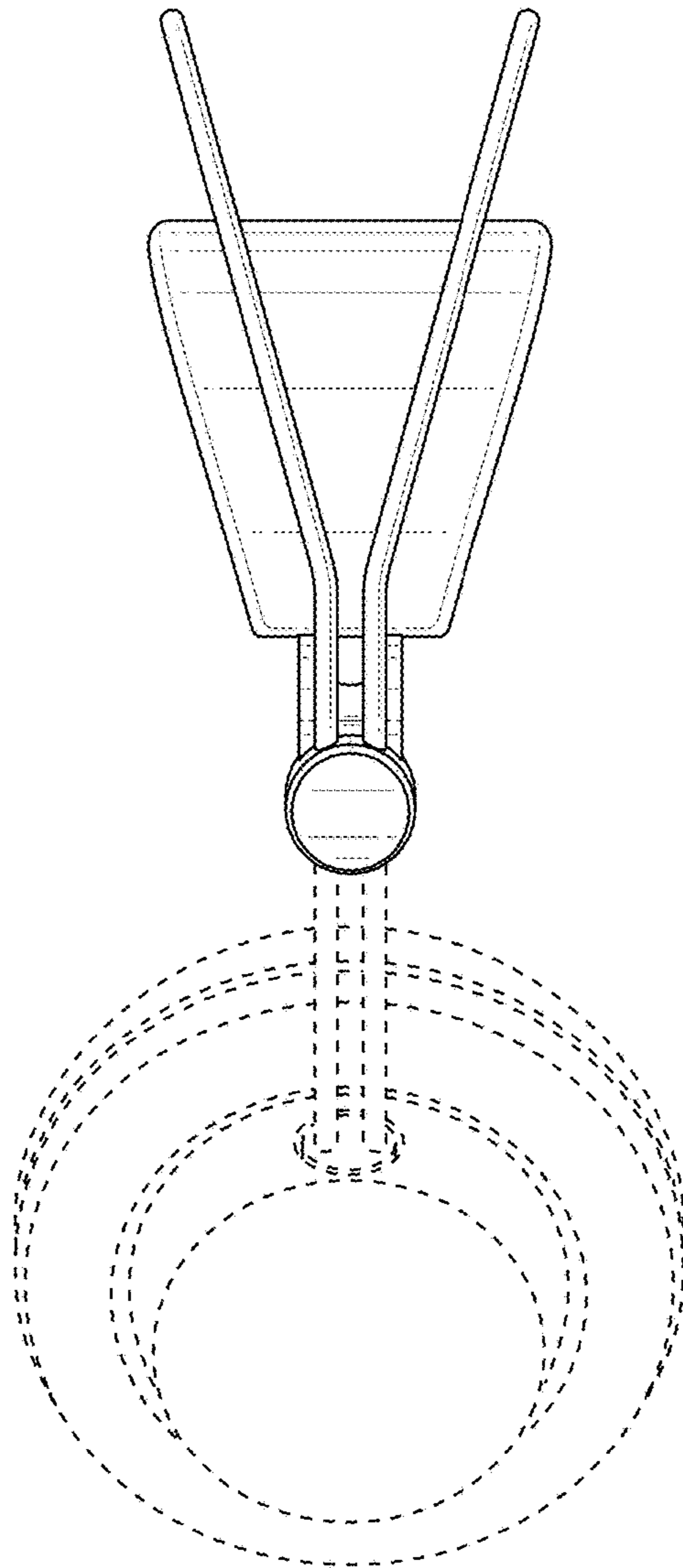


FIG. 13

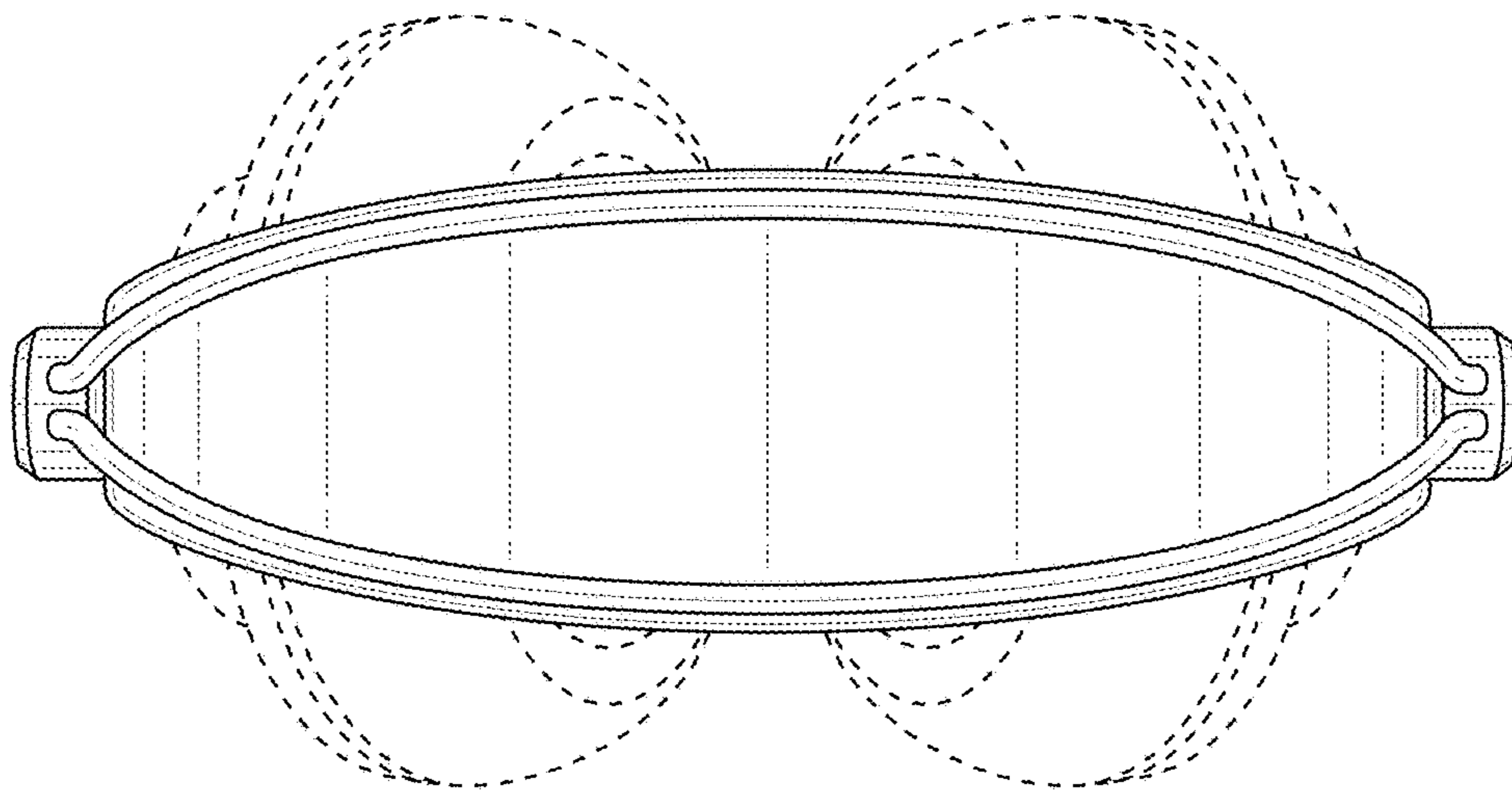


FIG. 14

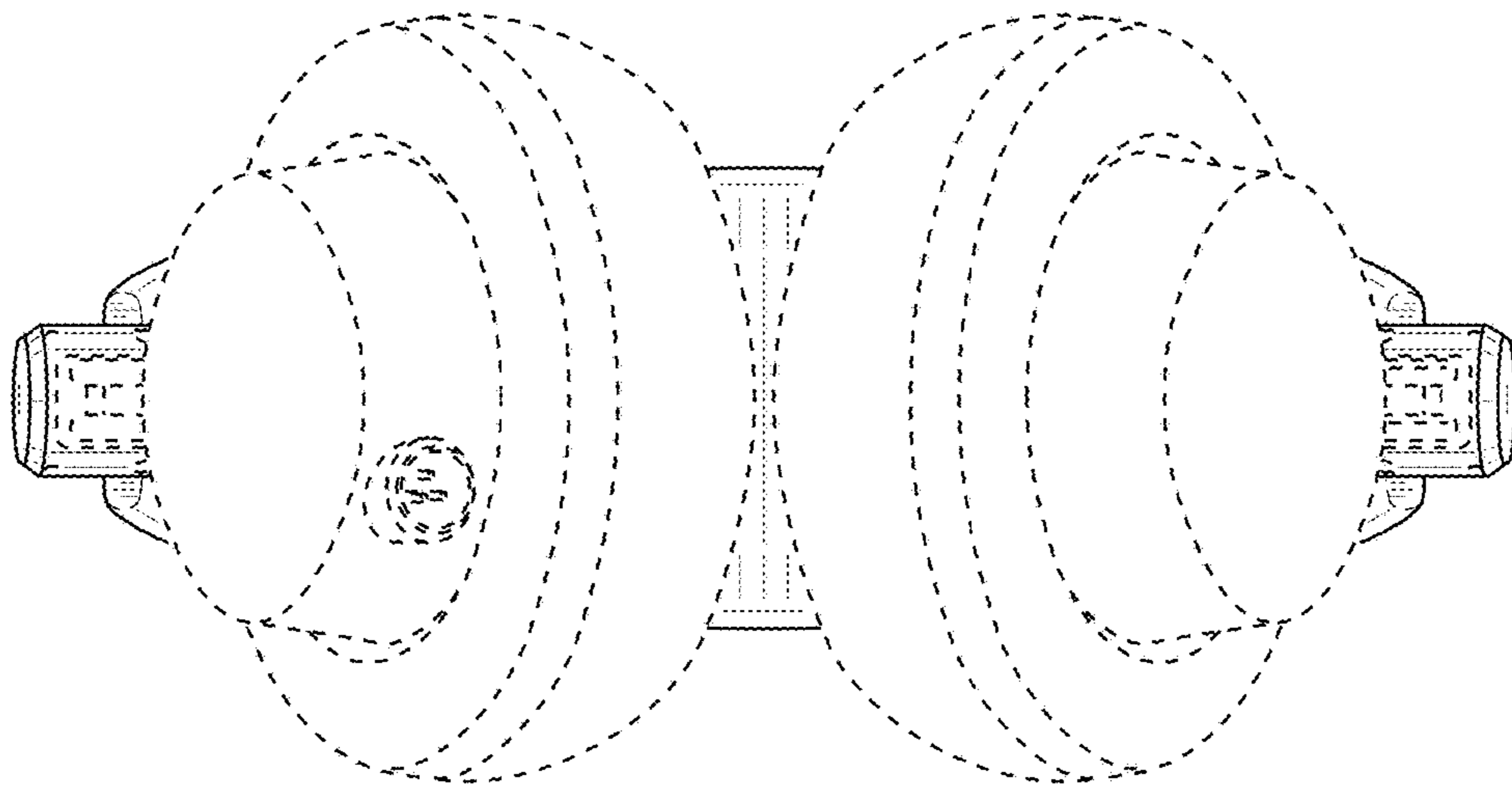


FIG. 15

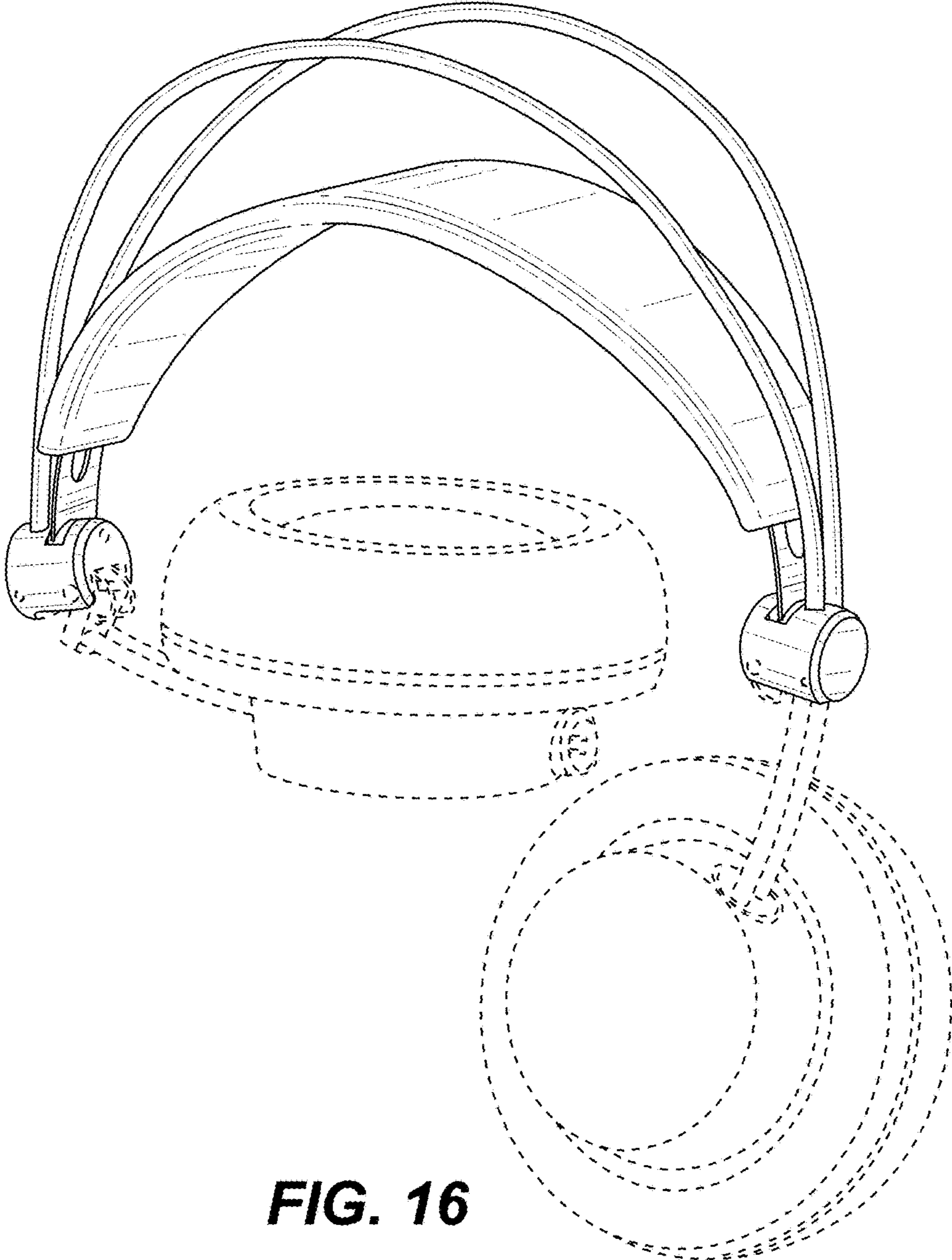


FIG. 16