



US00D851621S

(12) **United States Design Patent**
Demin

(10) **Patent No.:** **US D851,621 S**
(45) **Date of Patent:** **** Jun. 18, 2019**

(54) **LOUDSPEAKER**
(71) Applicant: **Harman International Industries, Incorporated**, Northridge, CA (US)
(72) Inventor: **Alexander Demin**, Shenzhen (CN)
(73) Assignee: **Harman International Industries, Incorporated**, Northridge, CA (US)

D729,772 S * 5/2015 Ferber D14/216
D809,482 S 2/2018 Fischer et al.
D809,483 S 2/2018 Fischer et al.

FOREIGN PATENT DOCUMENTS

CN ZL201630571033.1 3/2017
EM 002177659-0002 2/2013

OTHER PUBLICATIONS

Design U.S. Appl. No. 29/615,811, filed Aug. 31, 2017.

* cited by examiner

Primary Examiner — Derrick E Holland
Assistant Examiner — Janice Patyk
(74) *Attorney, Agent, or Firm* — Plumsea Law Group, LLC

(**) Term: **15 Years**
(21) Appl. No.: **29/615,819**
(22) Filed: **Aug. 31, 2017**
(51) **LOC (11) Cl.** **14-01**
(52) **U.S. Cl.**
USPC **D14/204**
(58) **Field of Classification Search**
USPC D14/167, 168, 170–172, 188, 204, 210,
D14/214; 181/143, 144, 148, 153, 157,
181/198, 199; 369/6–12; 381/300–303,
381/361–364, 366, 386–388
CPC H04R 1/02; H04R 1/021; H04R 1/025;
H04R 1/026; H04R 1/028; H04R 1/403;
H04R 1/2803; H04R 1/2834; H04R 5/02;
H04R 9/06; H04R 19/013; H04R
2400/00; G06F 1/1688
See application file for complete search history.

(57) **CLAIM**

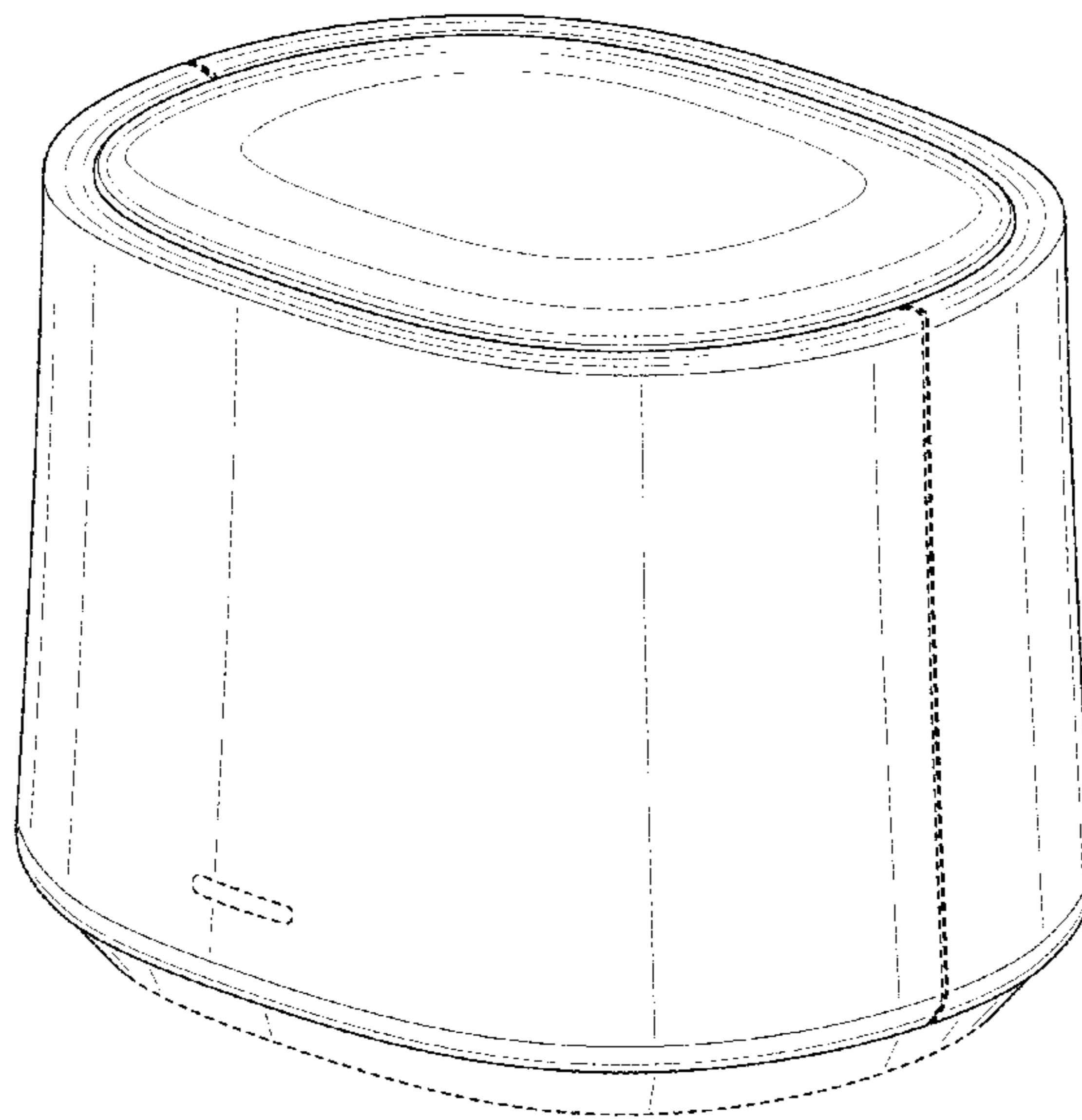
The ornamental design for a loudspeaker, as shown and described.

DESCRIPTION

FIG. 1 is a perspective view of a loudspeaker showing the new design;
FIG. 2 is a front elevational view thereof;
FIG. 3 is a rear elevational view thereof;
FIG. 4 is a side elevational view thereof;
FIG. 5 is an opposite side elevational view thereof;
FIG. 6 is a top view thereof; and,
FIG. 7 is a bottom view thereof.
The broken lines in the figures illustrate the portions of the design that form no part of the claimed design.

(56) **References Cited**
U.S. PATENT DOCUMENTS
D571,356 S * 6/2008 Smith D14/168
D640,231 S * 6/2011 Joseph D14/171
D691,587 S * 10/2013 Ferber D14/216
D692,413 S * 10/2013 Holzer D14/215
D695,713 S * 12/2013 Szymanski D14/216
D725,077 S * 3/2015 Wong D14/216

1 Claim, 7 Drawing Sheets



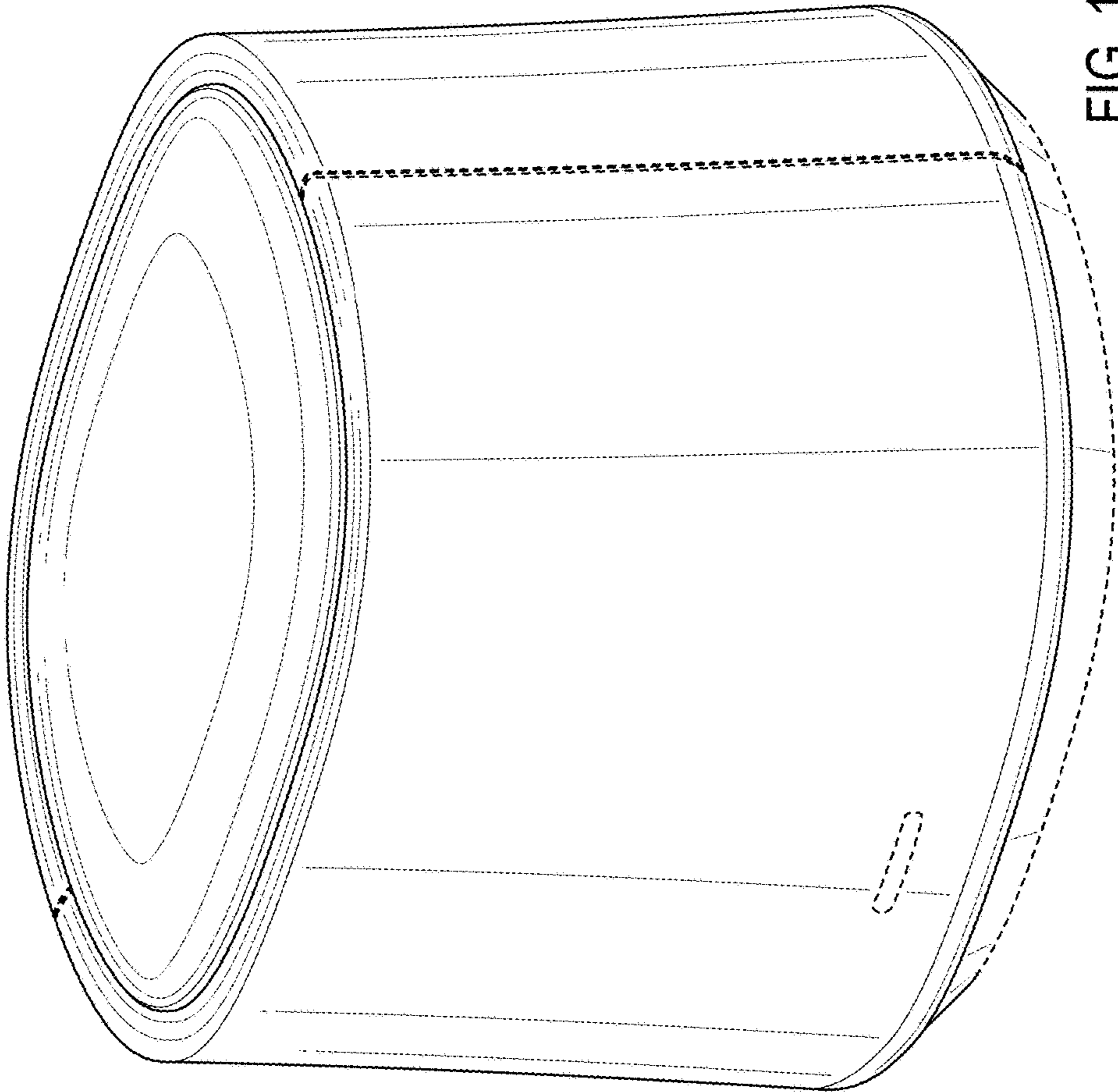


FIG. 1

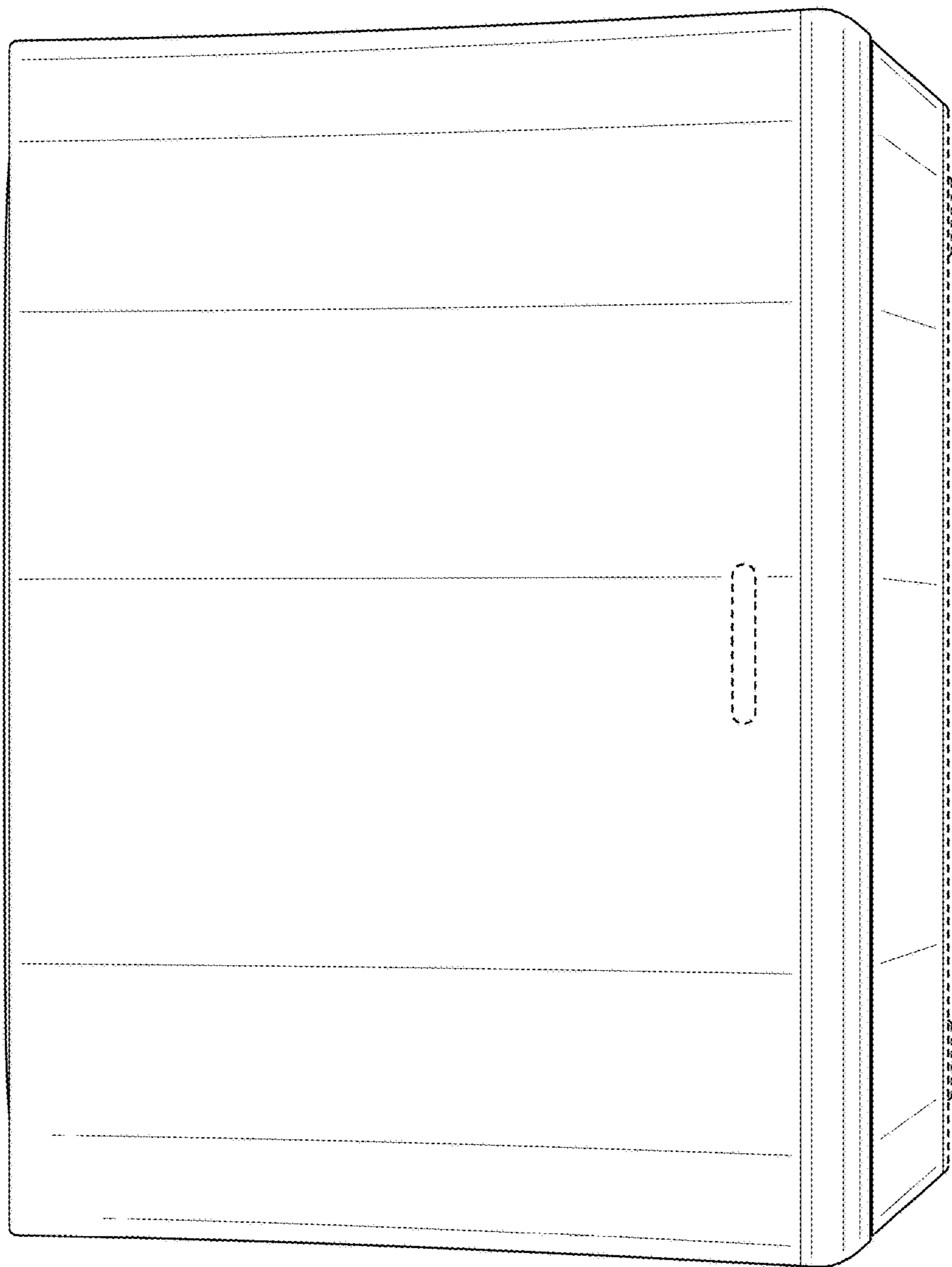


FIG. 2

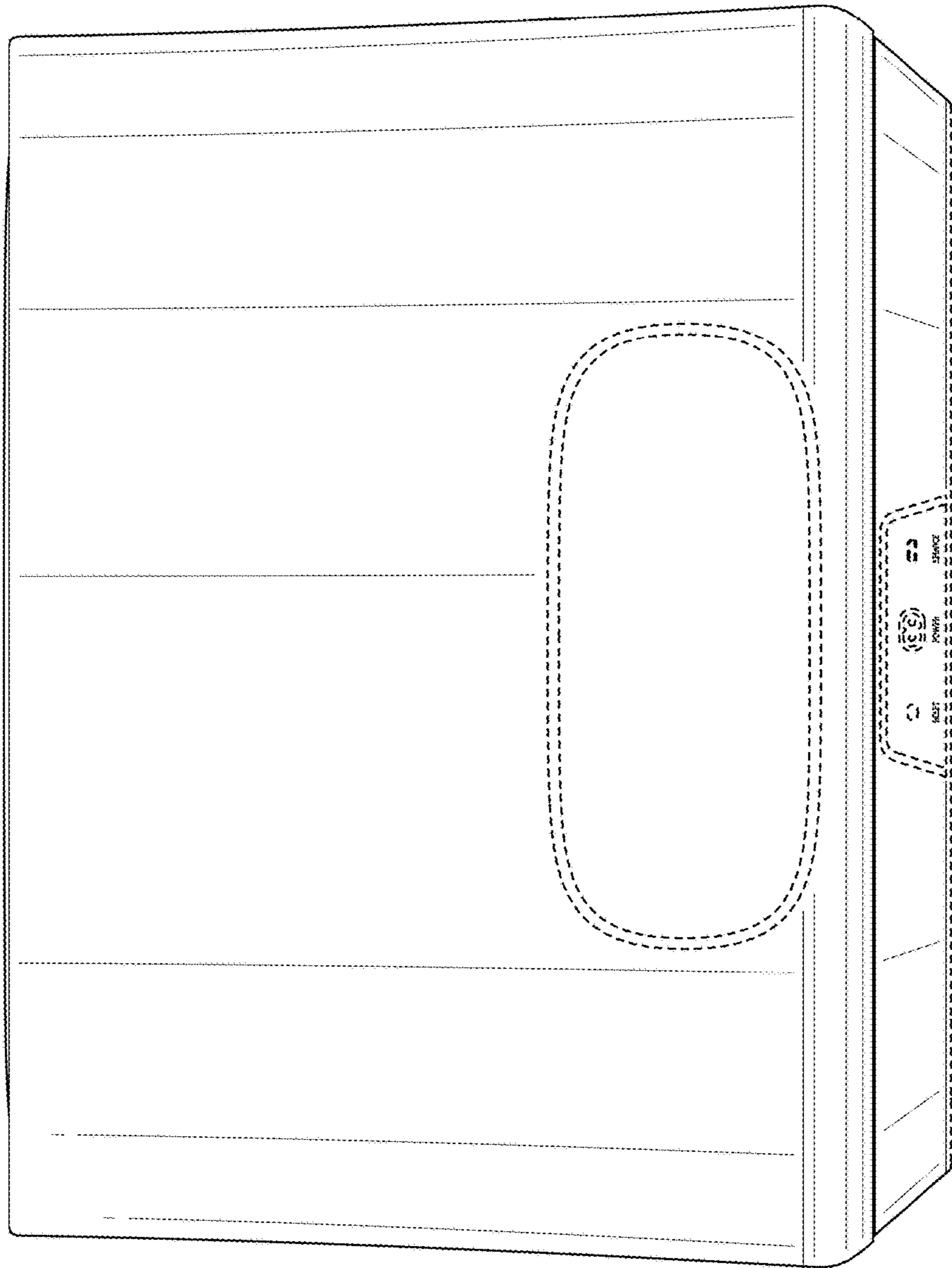


FIG. 3

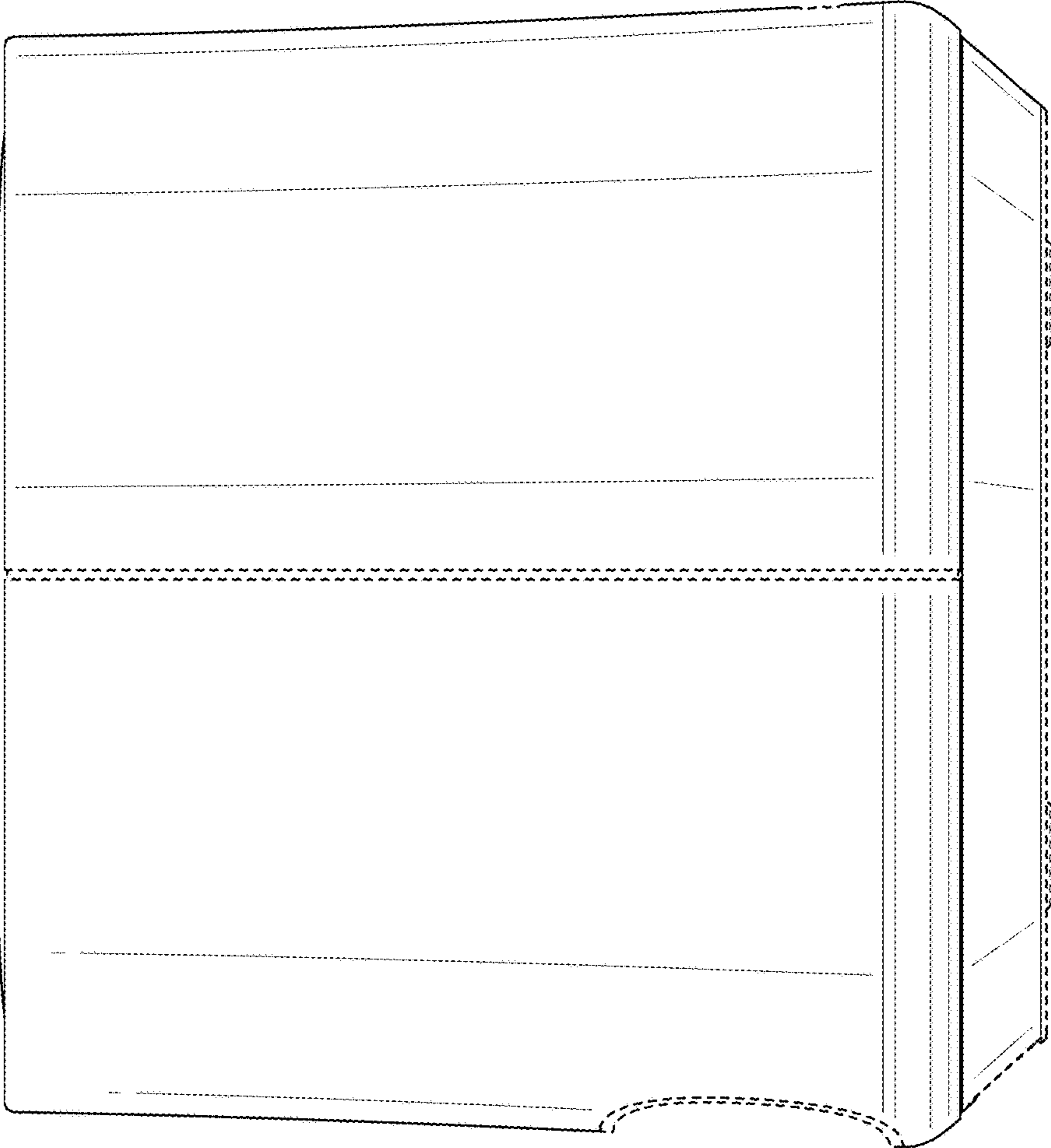


FIG. 4

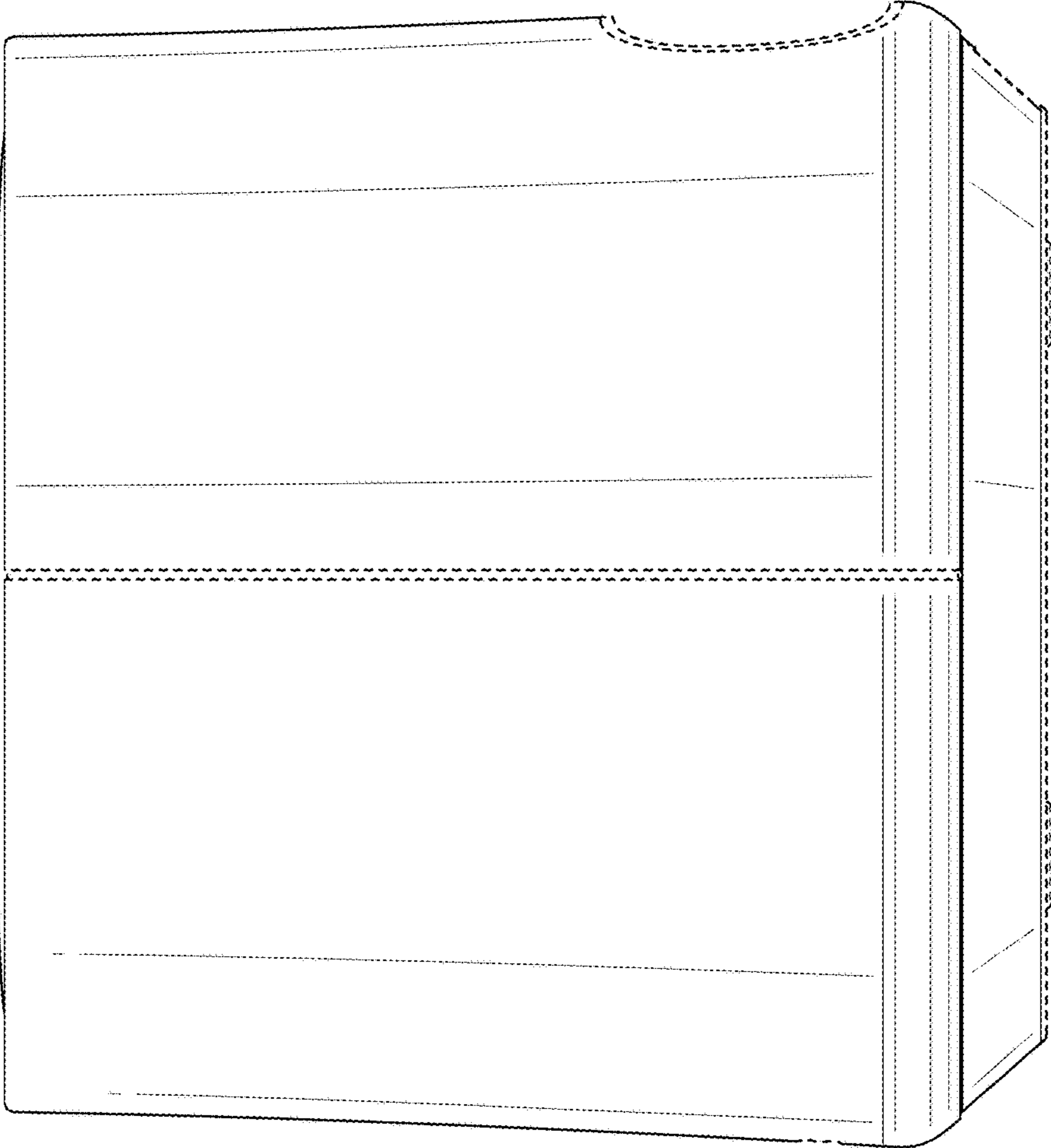


FIG. 5

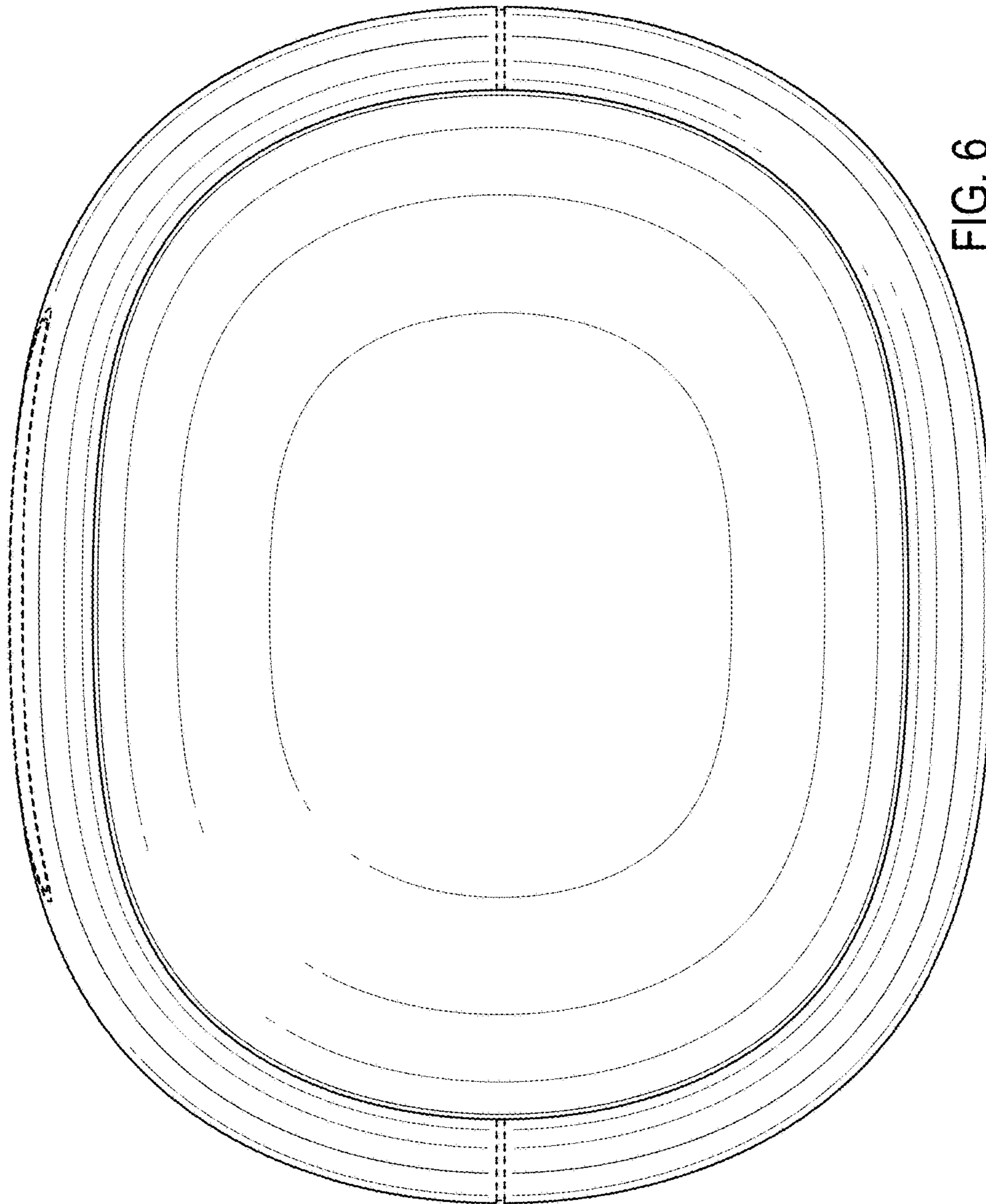


FIG. 6

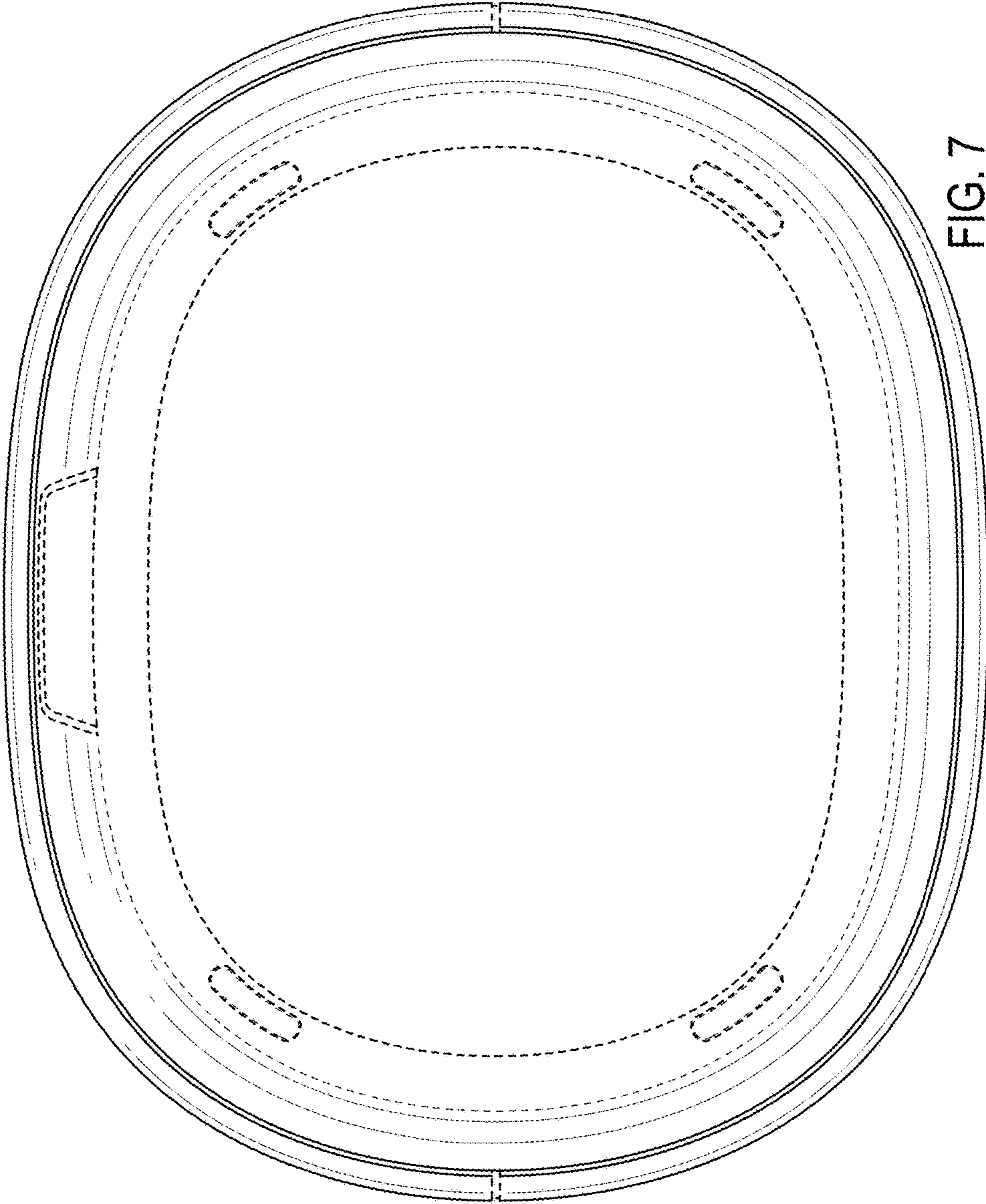


FIG. 7