



US00D851619S

(12) **United States Design Patent** (10) **Patent No.:** **US D851,619 S**
McManigal et al. (45) **Date of Patent:** **** Jun. 18, 2019**

- (54) **SUBWOOFER SPEAKER**
- (71) Applicant: **Vizio Inc**, Irvine, CA (US)
- (72) Inventors: **Scott McManigal**, Irvine, CA (US);
Howard Cheng, Irvine, CA (US)
- (73) Assignee: **Vizio Inc**, Irvine, CA (US)
- (**) Term: **15 Years**
- (21) Appl. No.: **29/588,984**
- (22) Filed: **Dec. 27, 2016**
- (51) **LOC (11) Cl.** **14-01**
- (52) **U.S. Cl.**
USPC **D14/204**
- (58) **Field of Classification Search**
USPC D14/167, 168, 170–172, 188, 204, 209.1,
D14/210–216, 219, 221, 222, 224;
181/144, 148, 153, 157, 198; 369/6–12;
381/301–303, 306, 332, 334, 336, 345,
381/361–363, 386–388
CPC G06F 1/1688; H04R 1/02; H04R 1/025;
H04R 1/026; H04R 1/323; H04R 1/403;
H04R 1/2803; H04R 1/2834; H04R 5/02;
H04R 9/06; H04R 2201/021; H04R
2400/00; H04R 2400/07; H04R 2499/11
See application file for complete search history.

- D548,222 S * 8/2007 Kim D14/214
- D624,048 S * 9/2010 Kim D14/215
- D628,553 S * 12/2010 Cho D14/168
- D633,083 S * 2/2011 Tellier D14/215
- D645,453 S * 9/2011 Kim D14/215
- D657,777 S * 4/2012 Jursch D14/215
- D678,866 S * 3/2013 Davies D14/215

* cited by examiner

Primary Examiner — Derrick E Holland
Assistant Examiner — Janice Patyk
 (74) *Attorney, Agent, or Firm* — Law Office of Scott C Harris, Inc

(57) **CLAIM**

We claim the ornamental design for a subwoofer speaker, as shown and described.

DESCRIPTION

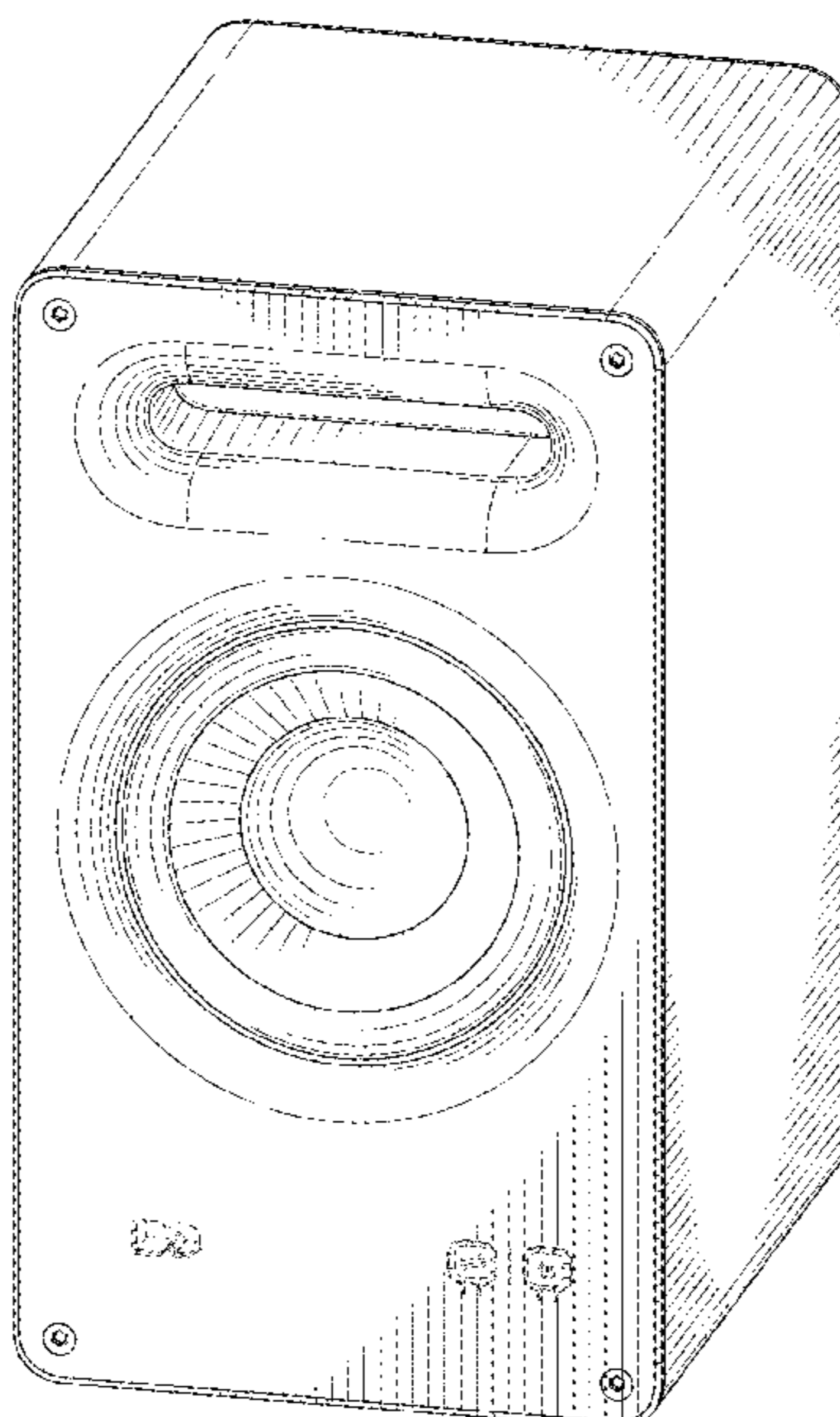
FIG. 1 shows a first perspective view of a subwoofer speaker, showing our new design;
 FIG. 2 shows a front view of the subwoofer speaker;
 FIG. 3 shows a rear view of the subwoofer speaker;
 FIG. 4 shows a first side view of the subwoofer speaker;
 FIG. 5 shows a second side view of the subwoofer speaker;
 FIG. 6 shows a top view of the subwoofer speaker; and,
 FIG. 7 shows a bottom view of the subwoofer speaker.
 The broken lines in the figures illustrate the portions of the design that form no part of the claimed design.

(56) **References Cited**

U.S. PATENT DOCUMENTS

- D391,260 S * 2/1998 Makinen D14/214
- D542,777 S * 5/2007 Sato D14/172

1 Claim, 6 Drawing Sheets



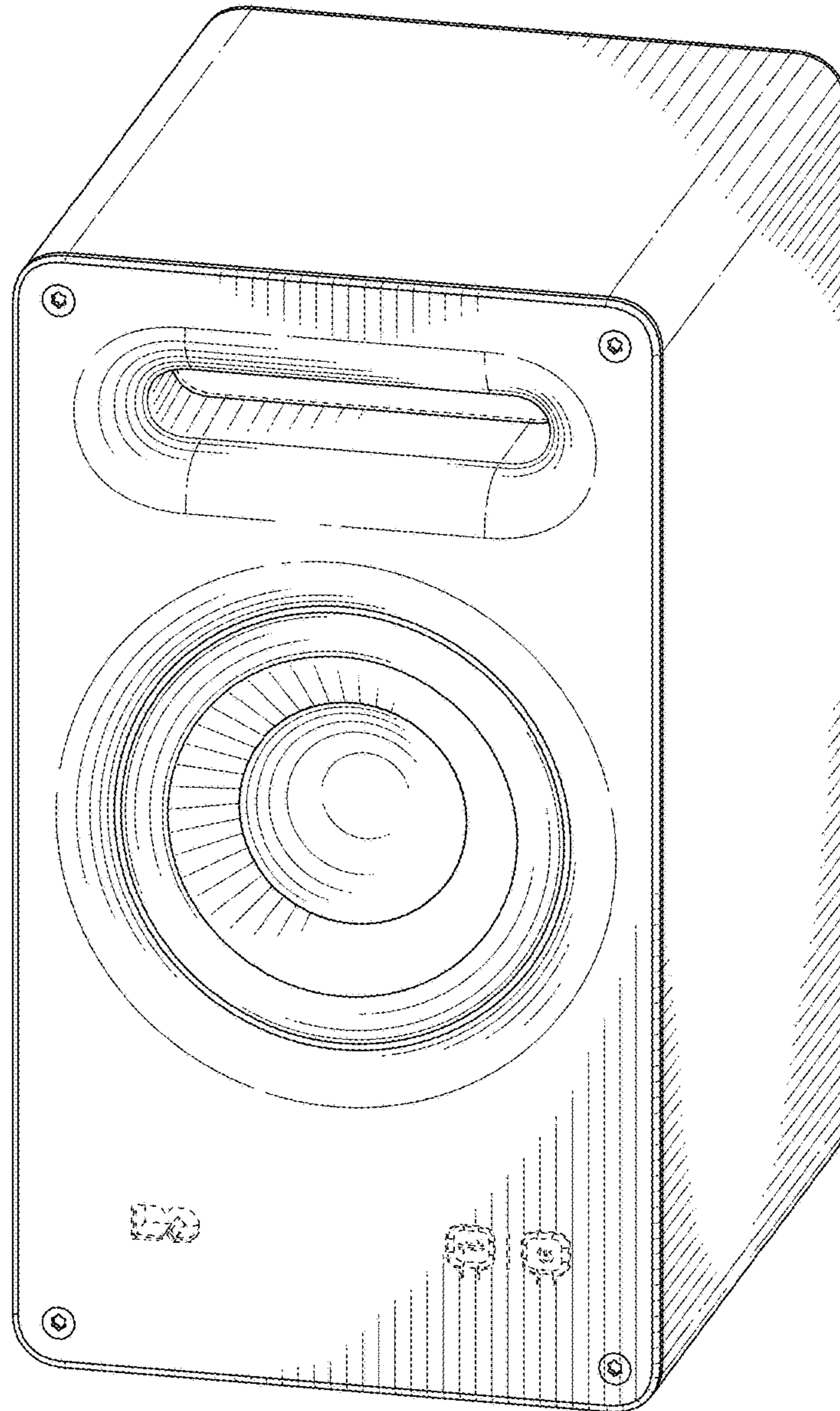


FIG. 1

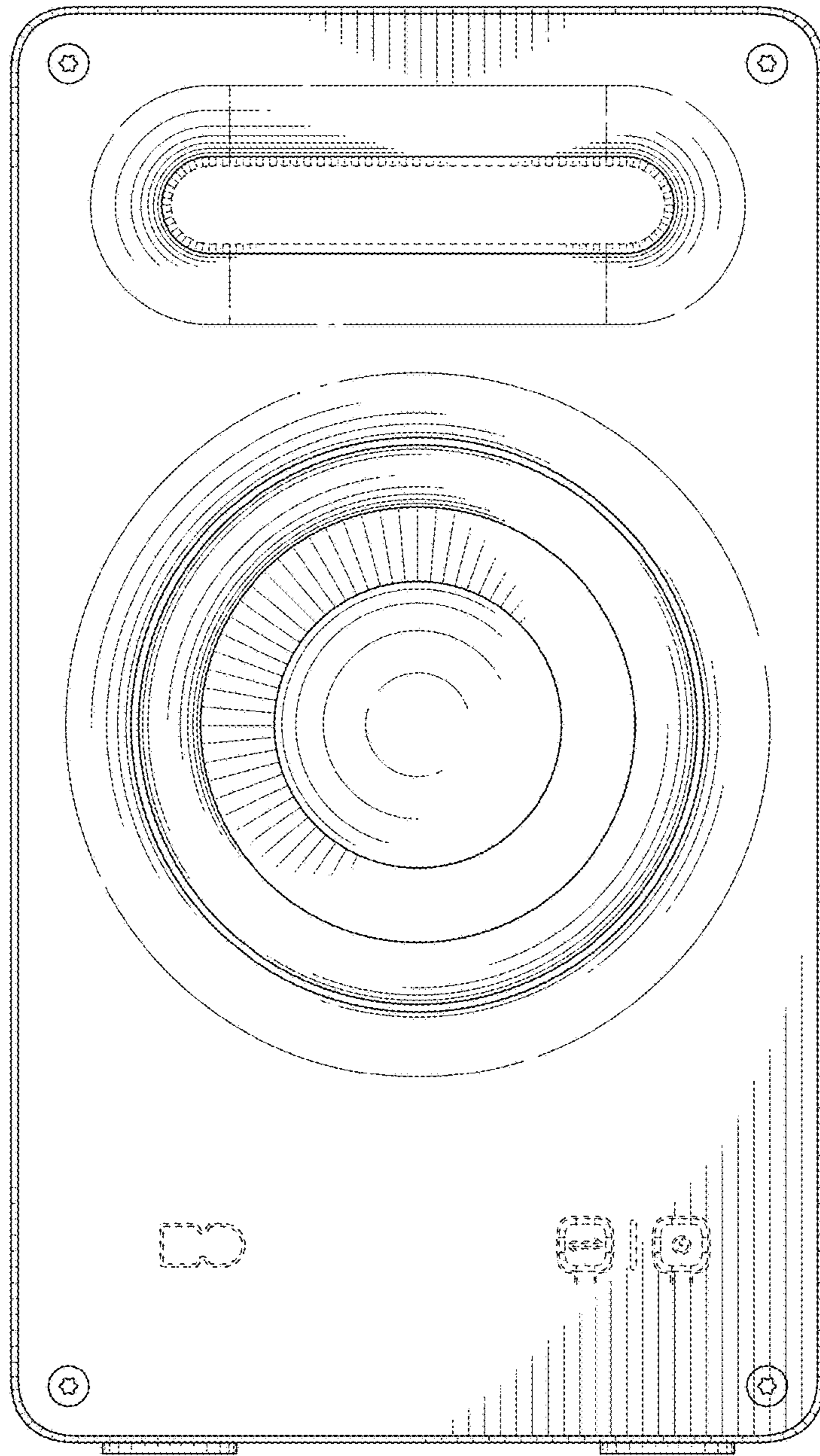


FIG. 2

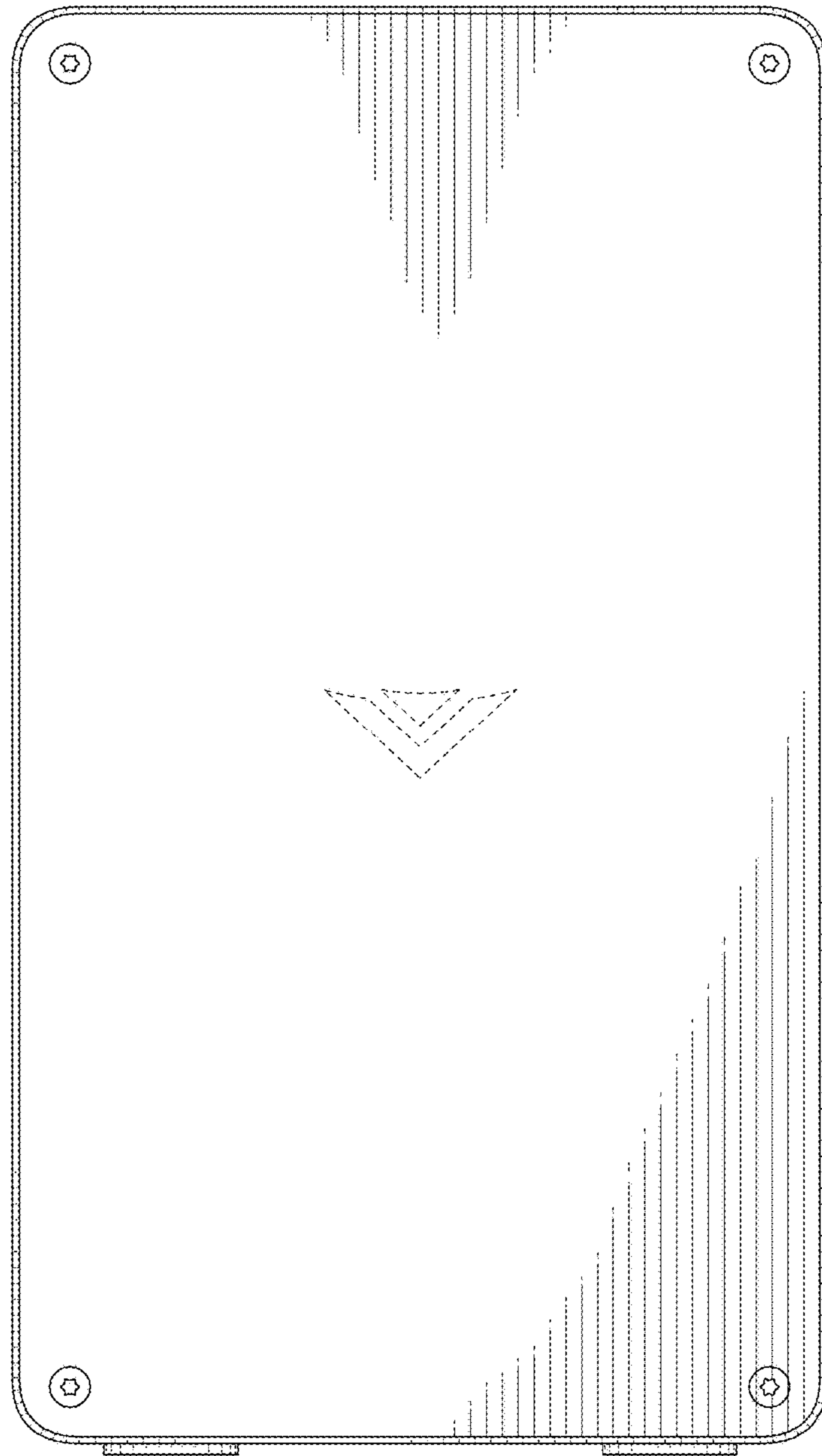


FIG. 3

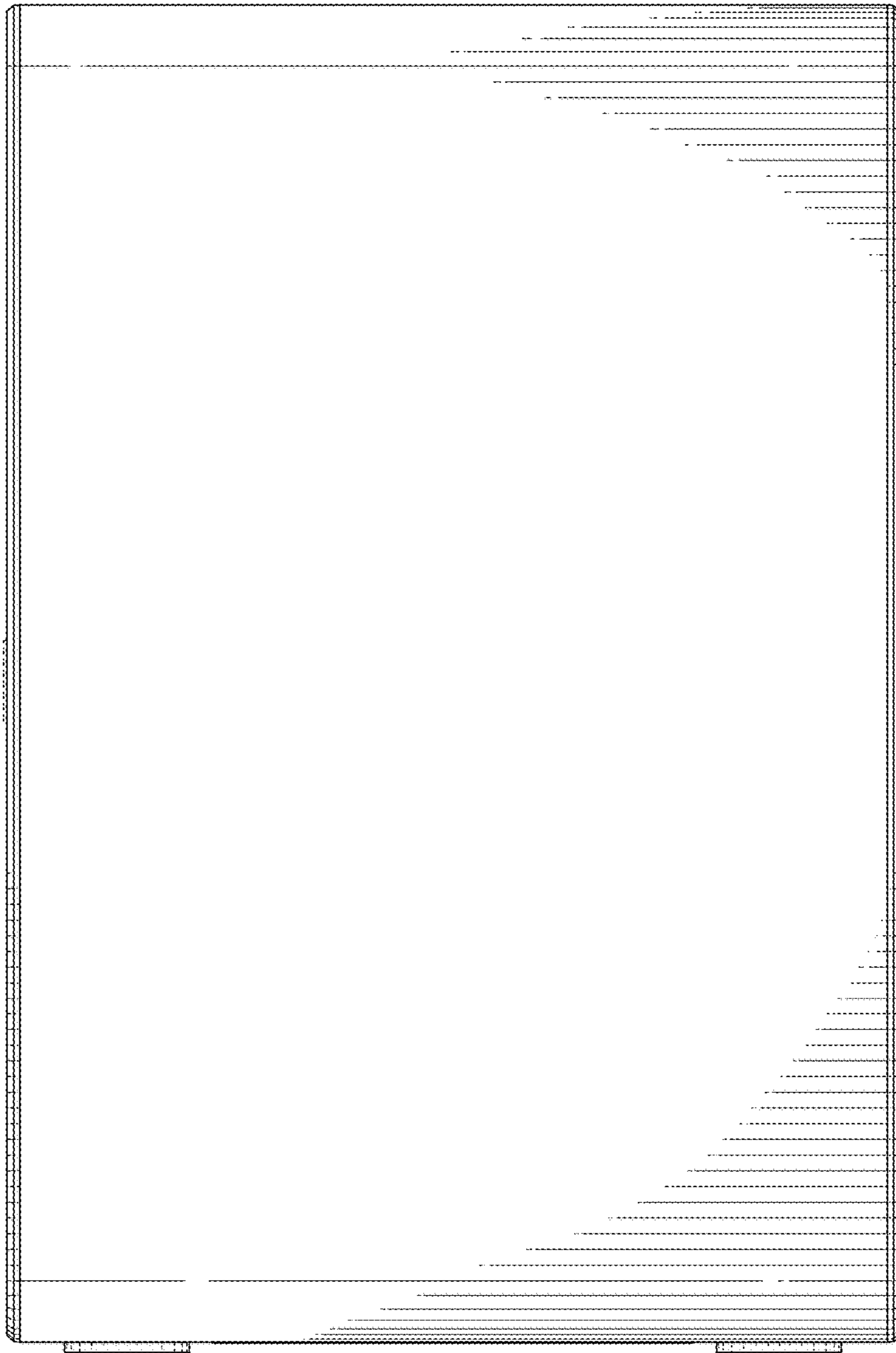


FIG. 4

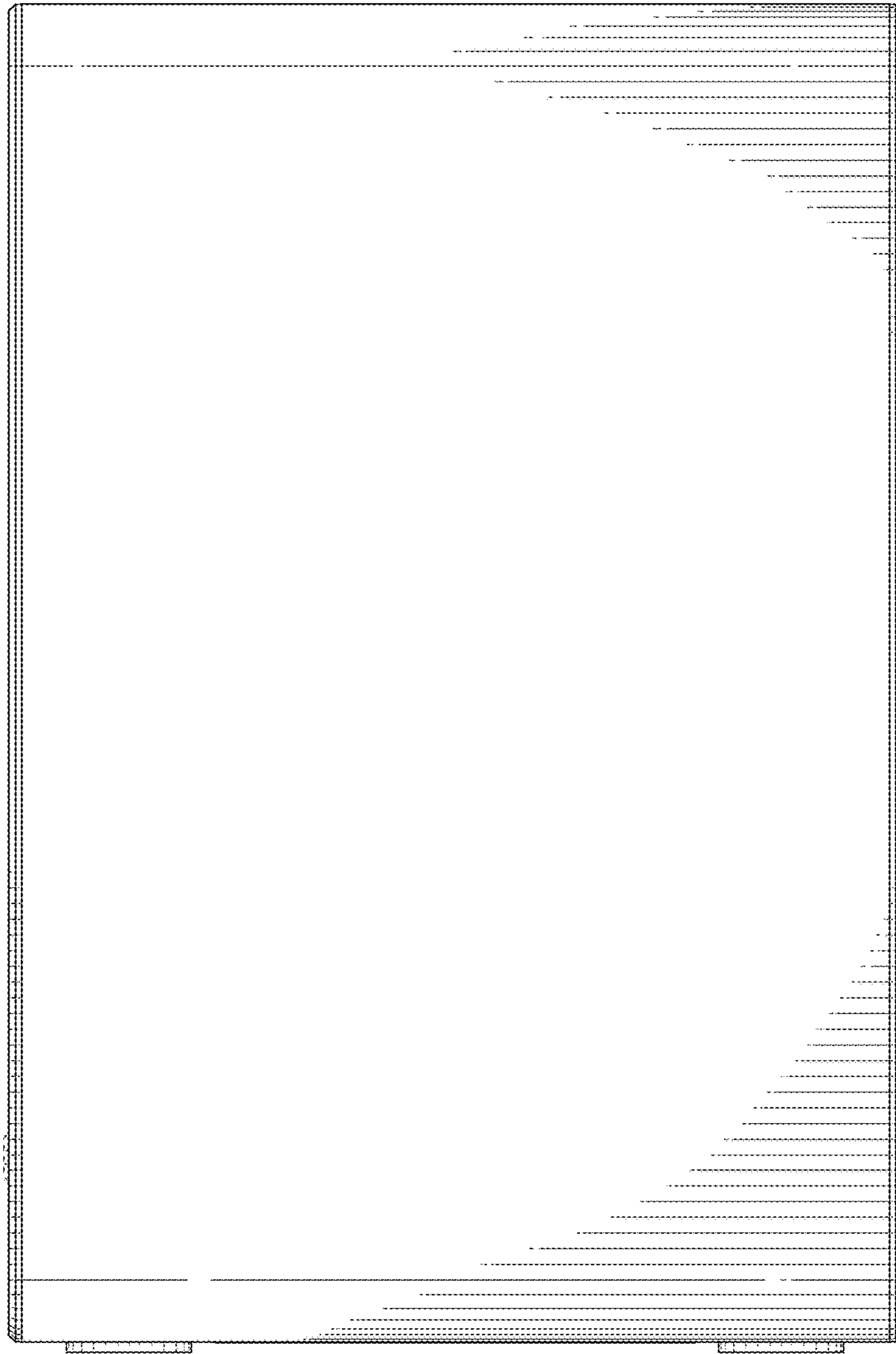


FIG. 5

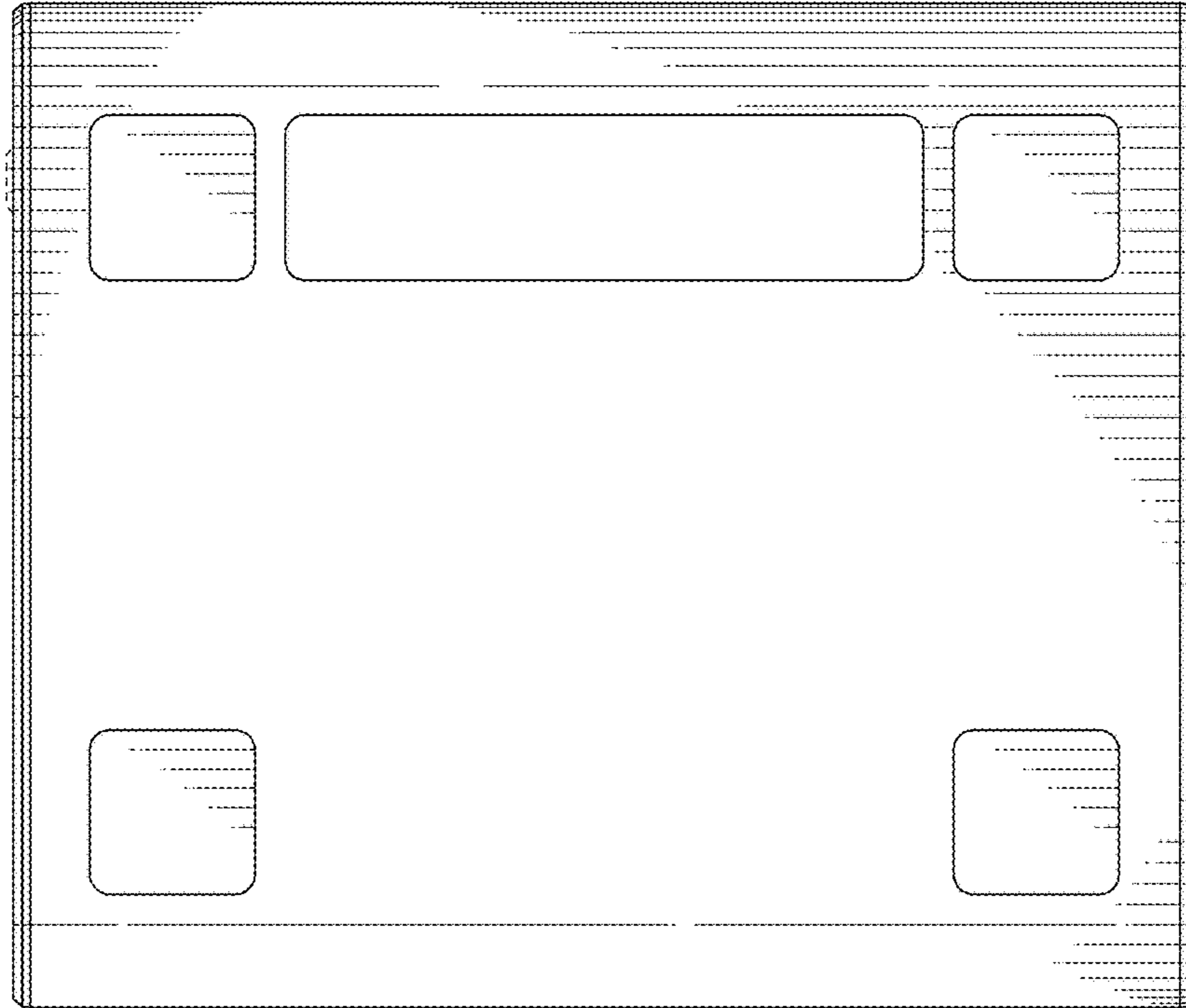


FIG. 7

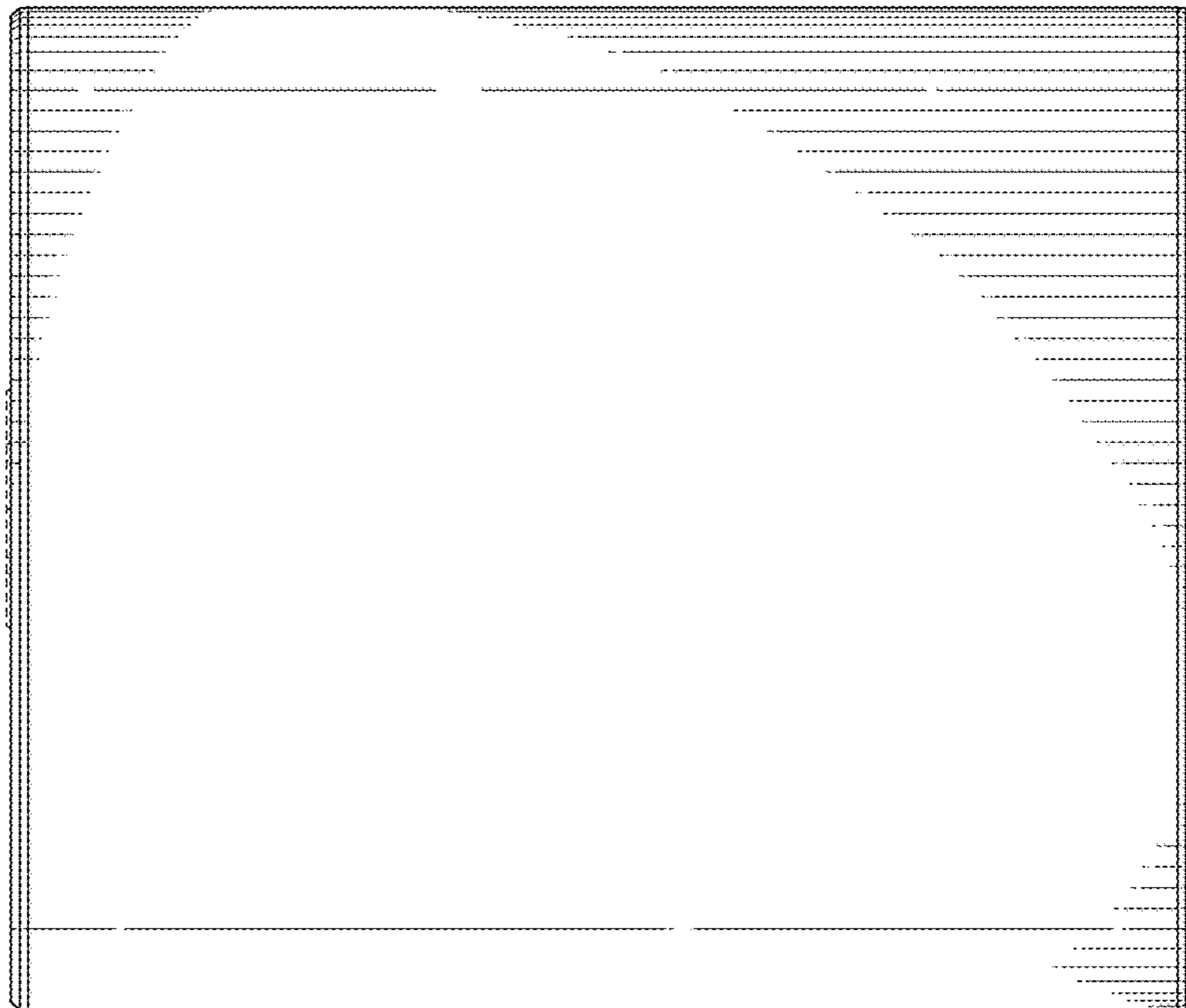


FIG. 6