



US00D851618S

(12) **United States Design Patent**  
**Zhong**

(10) **Patent No.:** **US D851,618 S**

(45) **Date of Patent:** **\*\* Jun. 18, 2019**

(54) **WIRELESS SIGNAL TRANSMITTER BOX**

(71) Applicant: **SHENZHEN KEAN DIGITAL CO., LTD.**, Shenzhen, Guangdong (CN)

(72) Inventor: **Dewei Zhong**, Guangdong (CN)

(\*\*) Term: **15 Years**

(21) Appl. No.: **29/633,601**

(22) Filed: **Jan. 15, 2018**

(30) **Foreign Application Priority Data**

Dec. 15, 2017 (CN) ..... 2017 3 0642029

(51) **LOC (11) Cl.** ..... **14-02**

(52) **U.S. Cl.**  
USPC ..... **D14/159**

(58) **Field of Classification Search**

USPC ..... D14/240, 242, 356, 358, 363, 365, 367, D14/370, 432-437, 439, 498, 125, 366, D14/168, 496; D13/147, 164, 123, 133, D13/146, 110, 199, 103, 162, 159, 160, D13/184; 361/683, 684, 686, 724, 735, 361/737, 752; D18/40

CPC .... H01R 25/006; H01R 27/02; H01R 31/005; G06F 13/4022; G06F 13/382; G06F 1/1632; G06F 1/1684; G06F 1/20; G06F 1/1607

See application file for complete search history.

(56) **References Cited**

**U.S. PATENT DOCUMENTS**

D491,563 S \* 6/2004 Sato ..... D14/242  
D496,967 S \* 10/2004 Davis ..... D14/433  
D548,731 S \* 8/2007 Liu ..... D14/240

D630,198 S \* 1/2011 Wilkens ..... D14/240  
D719,561 S \* 12/2014 Akana ..... D14/314  
D730,893 S \* 6/2015 Yin ..... D14/240  
D740,262 S \* 10/2015 Hasegawa ..... D14/240  
D745,010 S \* 12/2015 Kim ..... D14/433  
D753,639 S \* 4/2016 Marzynski ..... D14/240  
D768,607 S \* 10/2016 Altonen ..... D14/240  
D783,619 S \* 4/2017 Couture ..... D14/433  
D816,070 S \* 4/2018 Marzynski ..... D14/240  
D831,598 S \* 10/2018 Jiang ..... D14/125

\* cited by examiner

*Primary Examiner* — Austin Murphy

(74) *Attorney, Agent, or Firm* — Erson IP (Nelson IP)

(57) **CLAIM**

The ornamental design for wireless signal transmitter box, as shown.

**DESCRIPTION**

FIG. 1 is a perspective view of a wireless signal transmitter box;

FIG. 2 is a rear elevational view of the wireless signal transmitter box;

FIG. 3 is a first side elevational view of the wireless signal transmitter box;

FIG. 4 is a front elevational view of the wireless signal transmitter box;

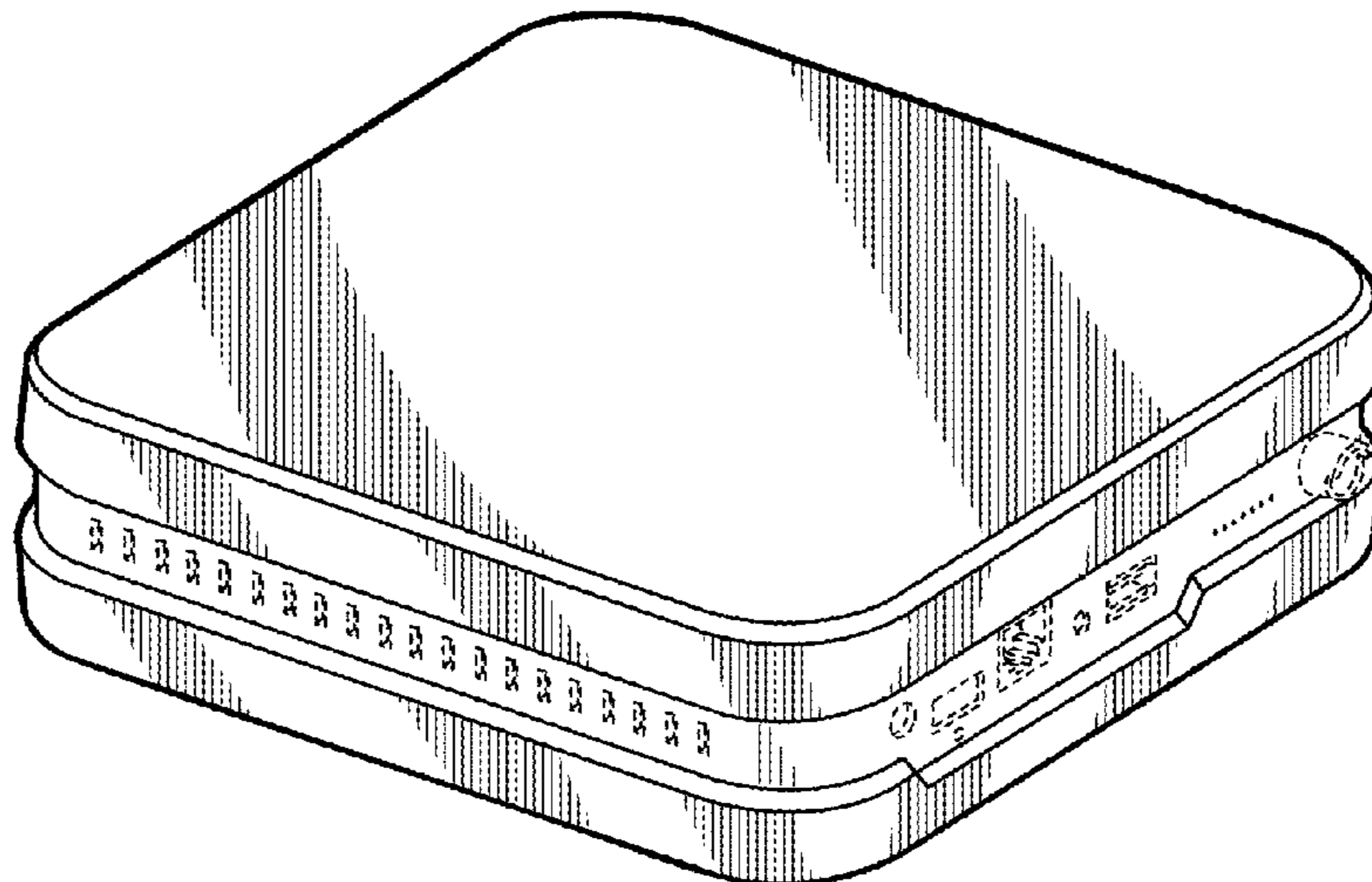
FIG. 5 is a second side elevational view of the wireless signal transmitter box;

FIG. 6 is a top plan view of the wireless signal transmitter box; and,

FIG. 7 is a bottom plan view of the wireless signal transmitter box.

The broken lines included in the drawings represent environment only and form no part claim of the claimed design.

**1 Claim, 3 Drawing Sheets**



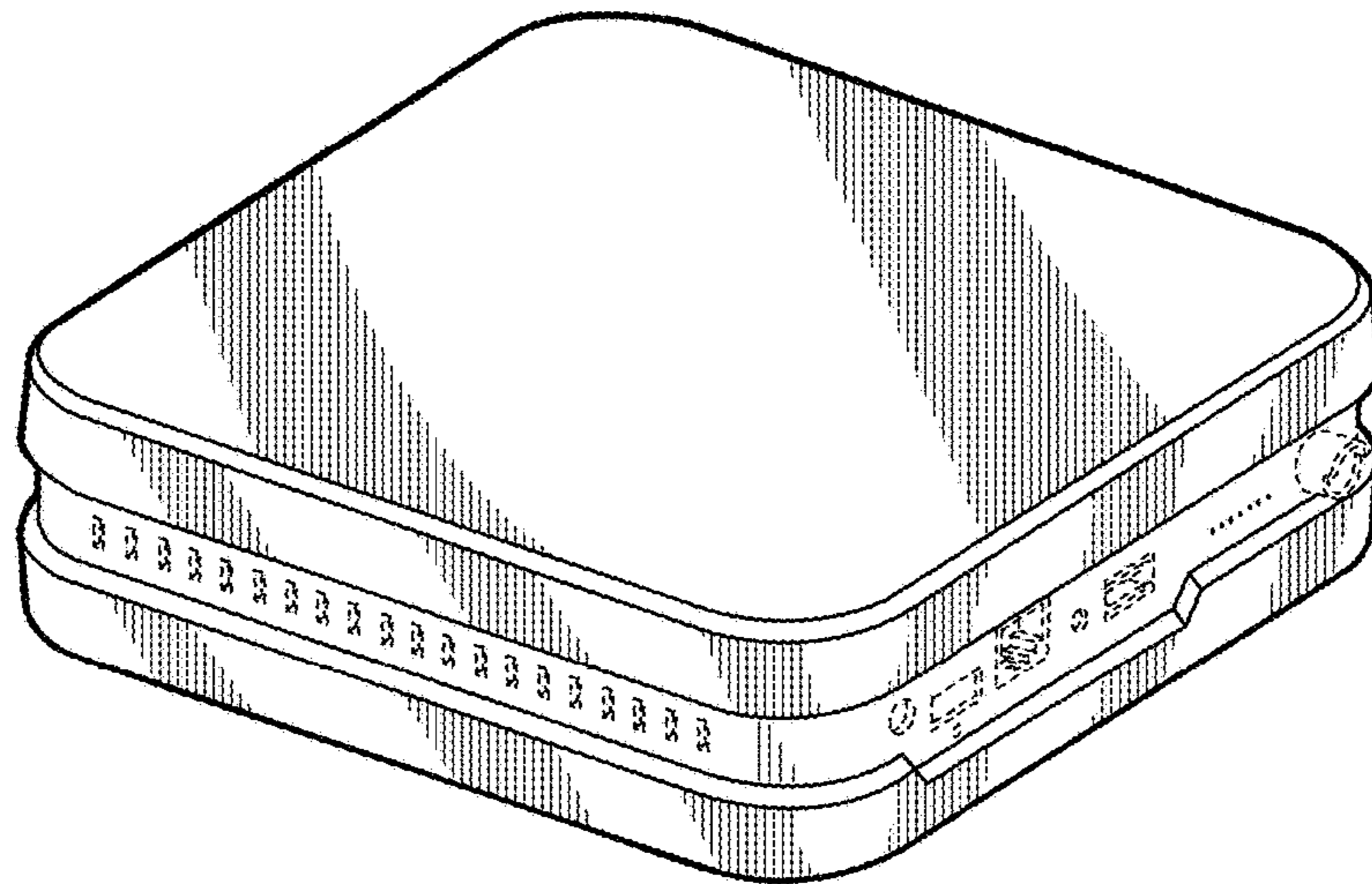


FIG. 1

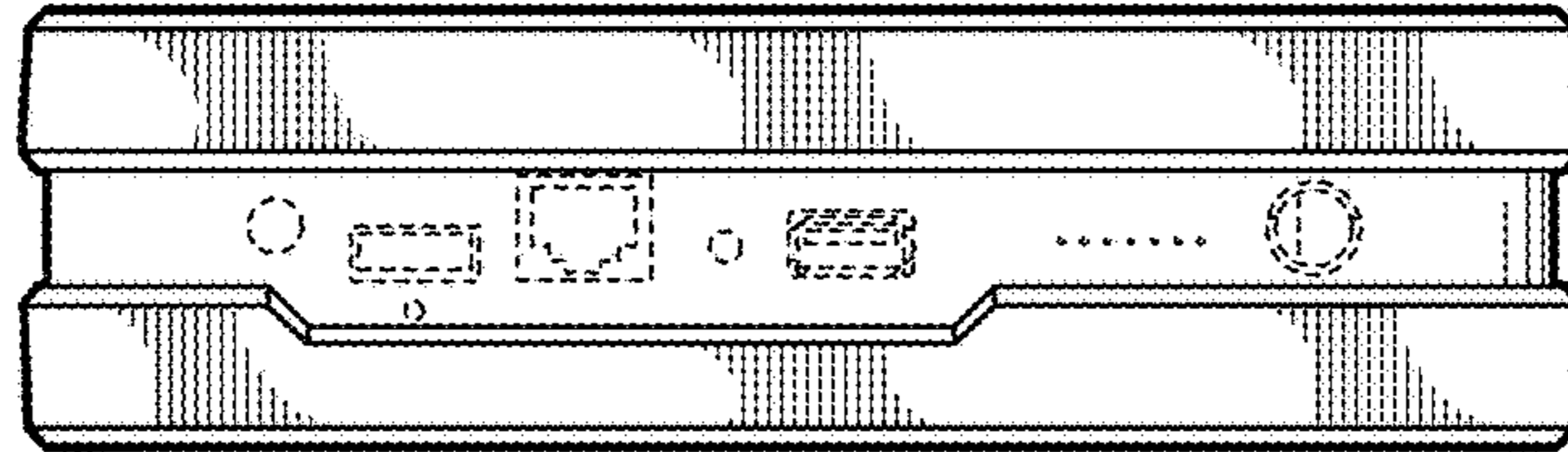


FIG. 2

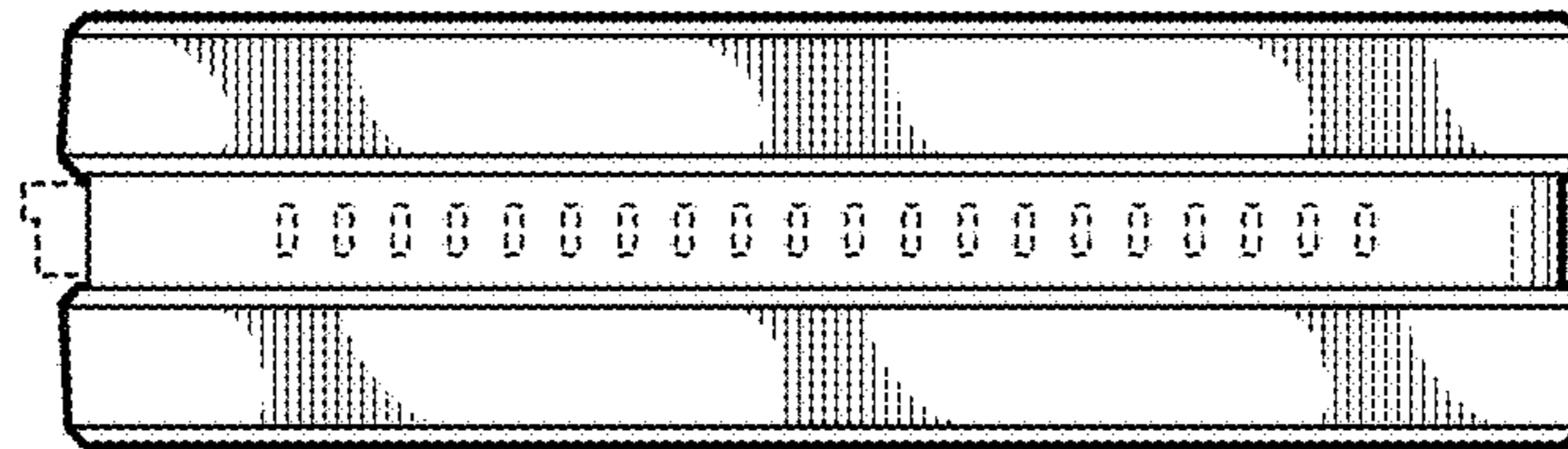


FIG. 3

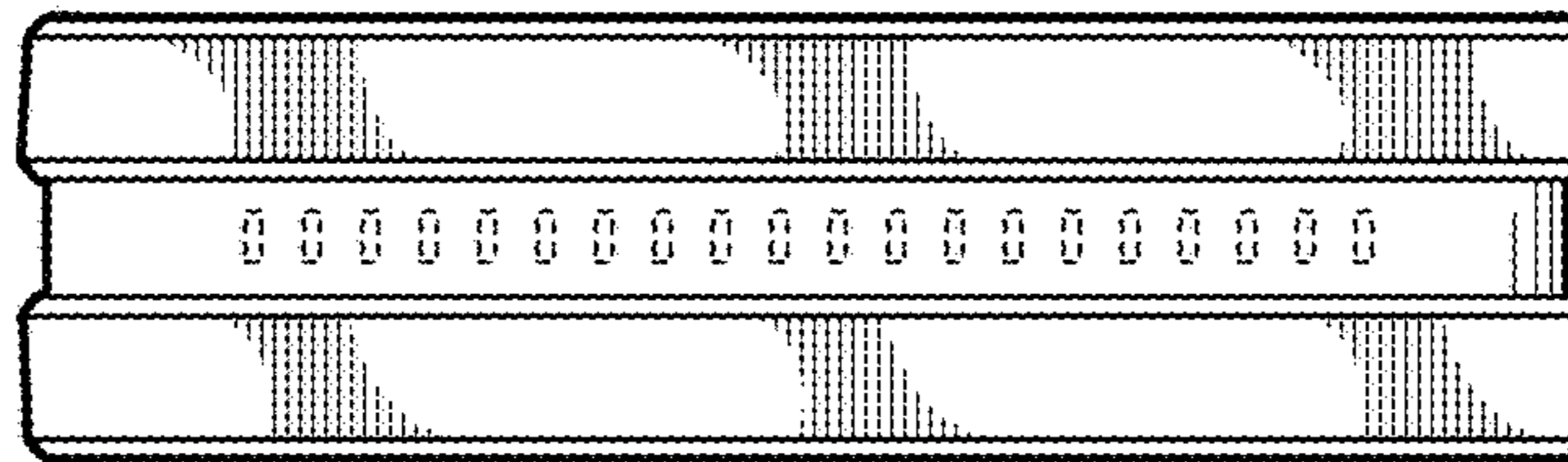


FIG. 4

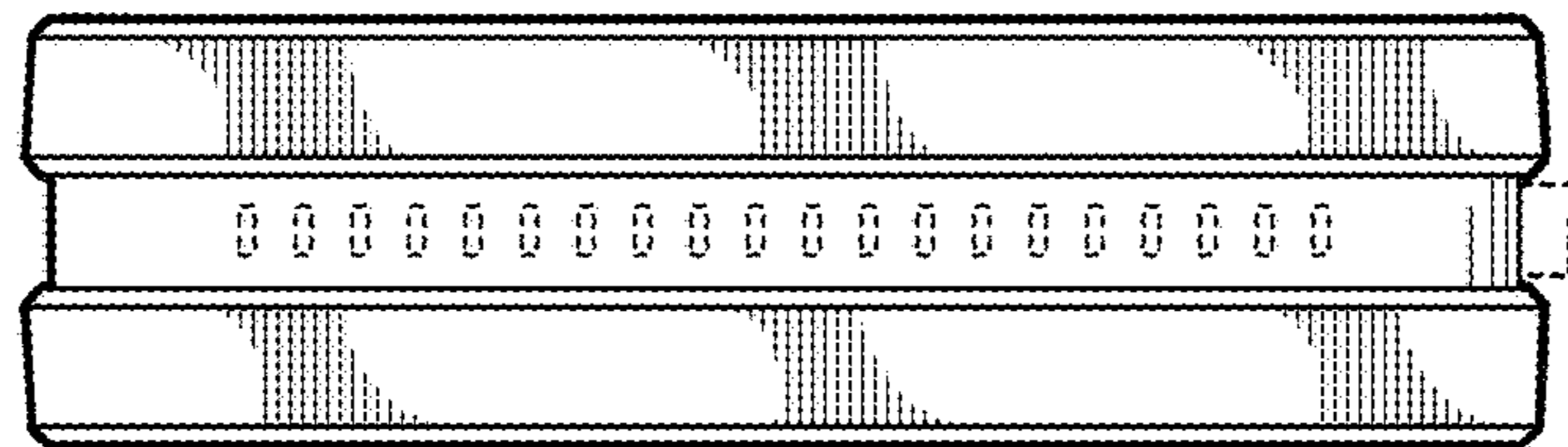


FIG. 5



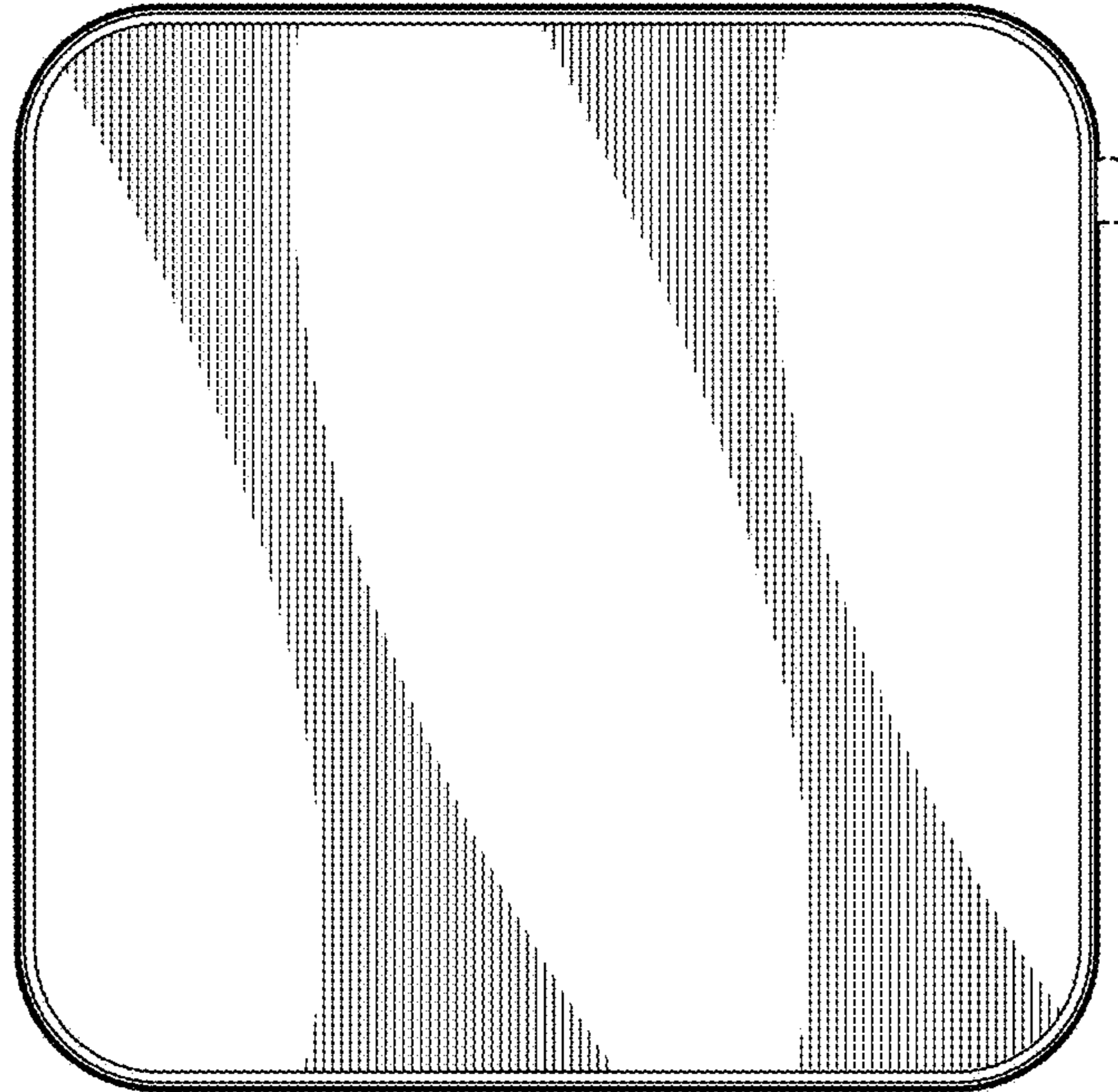


FIG. 6

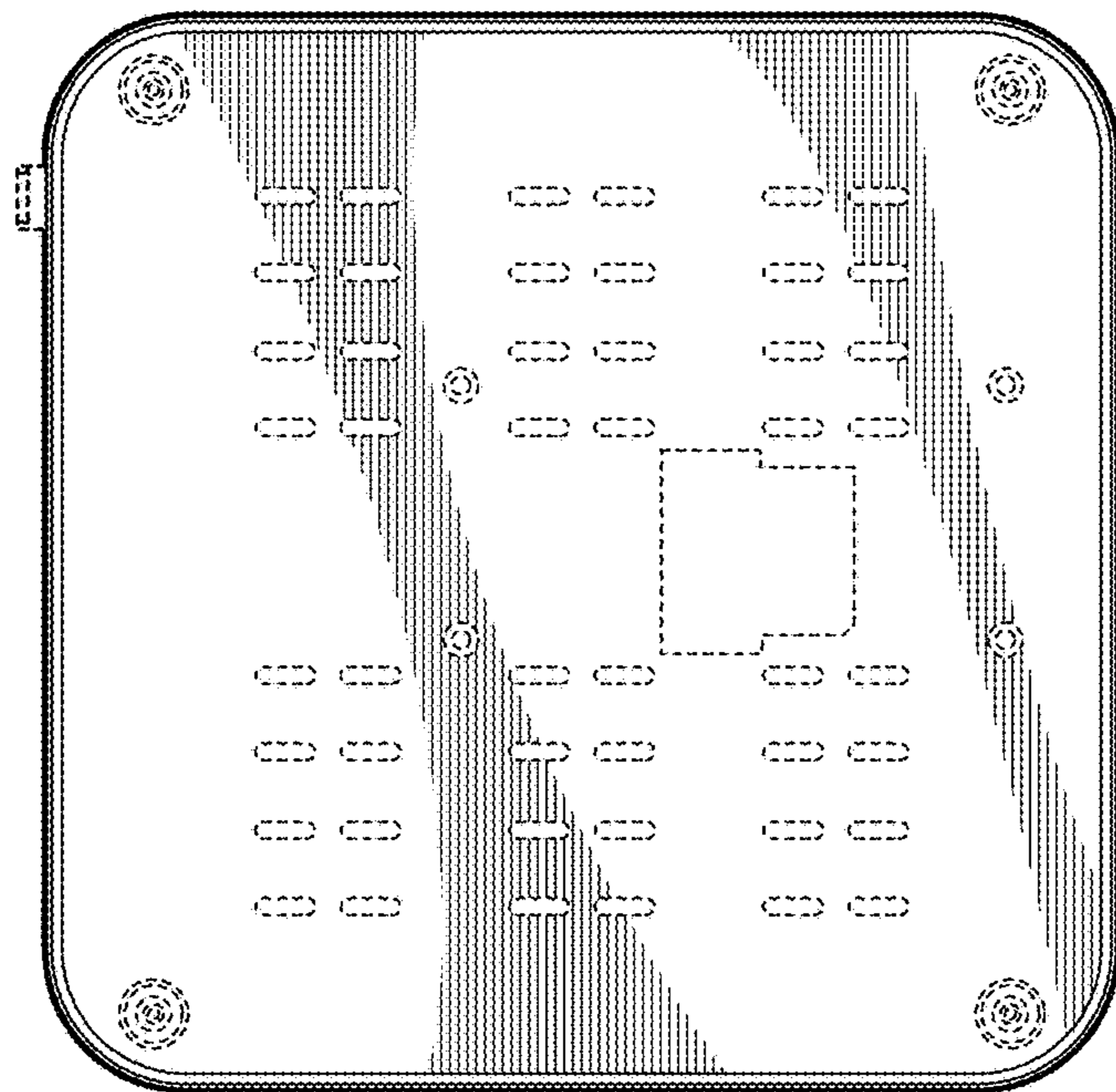


FIG. 7