



US00D851617S

(12) **United States Design Patent**
Rodriguez et al.

(10) **Patent No.:** **US D851,617 S**
(45) **Date of Patent:** **** Jun. 18, 2019**

- (54) **SPEAKERPHONE**
- (71) Applicant: **Polycom, Inc.**, San Jose, CA (US)
- (72) Inventors: **Hector Rodriguez**, Austin, TX (US);
Nathan Yang, Austin, TX (US);
Anthony Martin Duys, Merrimac, MA (US); **Yanlin Zhu**, Austin, TX (US)
- (73) Assignee: **Polycom, Inc.**, San Jose, CA (US)
- (**) Term: **15 Years**
- (21) Appl. No.: **29/649,680**
- (22) Filed: **May 31, 2018**
- (51) **LOC (11) Cl.** **14-03**
- (52) **U.S. Cl.**
USPC **D14/151**
- (58) **Field of Classification Search**
USPC ... D14/140, 140.1, 140.7, 140.8, 141.2, 142,
D14/144, 147, 148, 149, 150, 151, 158,
(Continued)

(56) **References Cited**

U.S. PATENT DOCUMENTS

- D282,655 S * 2/1986 Kaku D14/141.1
 - D291,567 S 8/1987 Read et al.
- (Continued)

OTHER PUBLICATIONS

Grandstream GXV3175 a Solid IP Multimedia Value. blo.tmcnet.com (online) 3 pgs. Posted Dec. 13, 2010 [retrieved on Jun. 28, 2018] <http://blog.tmcnet.com/blog/rich-tehrani/ip-communications/grandstream-gvx3175-a-solid-ip-multimedia-value.html>.

Primary Examiner — Marie D. Fast Horse
(74) *Attorney, Agent, or Firm* — Blank Rome, LLP

(57) **CLAIM**

We claim the ornamental design for a speakerphone, as shown and described.

DESCRIPTION

FIG. 1 is a perspective view of a first embodiment of a speakerphone, showing our new design;

FIG. 2 is a front elevational view thereof;
 FIG. 3 is a rear elevational view thereof;
 FIG. 4 is a right side elevational view thereof;
 FIG. 5 is a left side elevational view thereof;
 FIG. 6 is a top plan view thereof;
 FIG. 7 is a bottom plan view thereof;
 FIG. 8 is an exploded view thereof; and
 FIG. 9 is an enlarged view of the portion A-9 indicated in FIG. 8;
 FIG. 10 is a perspective view of a second embodiment of the speakerphone, showing our new design;
 FIG. 11 is a front elevational view thereof;
 FIG. 12 is a rear elevational view thereof;
 FIG. 13 is a right side elevational view thereof;
 FIG. 14 is a left side elevational view thereof;
 FIG. 15 is a top plan view thereof;
 FIG. 16 is a bottom plan view thereof;
 FIG. 17 is an exploded view thereof; and
 FIG. 18 is an enlarged view of the portion A-18 indicated in FIG. 17;
 FIG. 19 is a perspective view of a third embodiment of the speakerphone, showing our new design;
 FIG. 20 is a front elevational view thereof;
 FIG. 21 is a rear elevational view thereof;
 FIG. 22 is a right side elevational view thereof;
 FIG. 23 is a left side elevational view thereof;
 FIG. 24 is a top plan view thereof;
 FIG. 25 is a bottom plan view thereof;
 FIG. 26 is an exploded view thereof; and
 FIG. 27 is an enlarged view of the portion A-27 indicated in FIG. 26;
 FIG. 28 is a perspective view of a fourth embodiment of the speakerphone, showing our new design;
 FIG. 29 is a front elevational view thereof;
 FIG. 30 is a rear elevational view thereof;
 FIG. 31 is a right side elevational view thereof;
 FIG. 32 is a left side elevational view thereof;
 FIG. 33 is a top plan view thereof; and
 FIG. 34 is a bottom plan view thereof;
 FIG. 35 is an exploded view thereof; and,

(Continued)

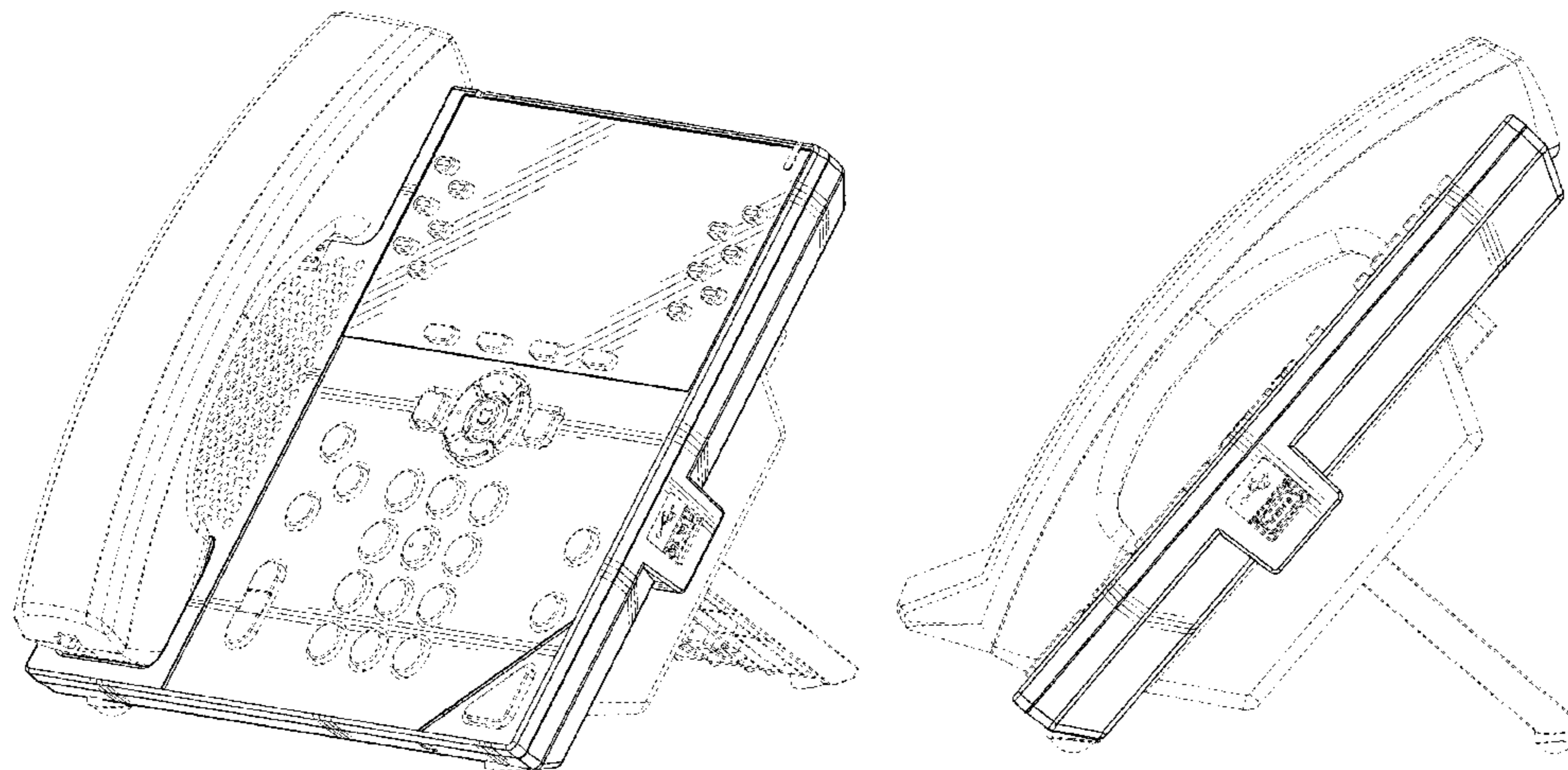


FIG. 36 is an enlarged view of the portion A-36 indicated in FIG. 35.

The broken dashed lines depict portions of the speakerphone that form no part of the claimed design, while the broken line consisting of uneven sizes dashes are for the purposes of illustrating an enlargement and are not claimed. All broken lines form no part of the claimed design.

1 Claim, 36 Drawing Sheets

(58) **Field of Classification Search**

USPC D14/159, 188, 217, 240, 243, 247, 248,
D14/251, 299, 329, 462, 467, 471, 130,
D14/403, 338; D21/517; D24/165
CPC H04M 1/00; H04M 1/003; H04M 1/02;
H04M 1/0289; H04M 1/0297; H04M
1/0214; H04M 1/03; H04M 1/23; H04M
1/253; H04M 1/2535; H04M 7/006

See application file for complete search history.

(56) **References Cited**

U.S. PATENT DOCUMENTS

D292,090 S * 9/1987 Shintomi D14/141.1
D293,783 S * 1/1988 Martinez D14/151
D296,437 S * 6/1988 Martinez D14/151
D298,618 S * 11/1988 Martinez D14/141.1
D299,456 S * 1/1989 Kuo D14/151
D301,475 S * 6/1989 Nagele D14/142
D303,114 S * 8/1989 Danielson D14/142
D307,009 S * 4/1990 Boykiw D14/149
D311,398 S * 10/1990 Sugano D14/142
D318,469 S * 7/1991 Joffe D14/146
D323,657 S 2/1992 Danielson et al.
D324,036 S 2/1992 Wakasa
D330,028 S * 10/1992 Gagnon D14/144
D356,087 S * 3/1995 Jarrett D14/151
5,432,836 A * 7/1995 Jarrett H04M 1/0297
379/435
D366,484 S * 1/1996 Levin D14/151
D368,091 S * 3/1996 Yoshihiko D14/151
5,862,214 A * 1/1999 Aggus H04M 1/02
379/428.03
D410,229 S 5/1999 Chiocchi
D411,987 S 7/1999 Mizusugi et al.
D412,171 S * 7/1999 Girardi D14/151

D433,677 S * 11/2000 Tsuge D13/184
D435,040 S * 12/2000 Shen D14/141.3
D457,509 S * 5/2002 Ohwada D14/151
D472,227 S * 3/2003 Takayama D14/151
D479,517 S 9/2003 Weidinger
D490,795 S * 6/2004 Watanabe D14/151
D512,703 S * 12/2005 Ookawa D14/149
D529,477 S * 10/2006 Hsu D14/151
D552,071 S 10/2007 Park et al.
D555,143 S * 11/2007 Chou D14/151
D556,180 S * 11/2007 Udagawa D14/149
D556,181 S * 11/2007 Liu D14/151
D558,180 S * 12/2007 Daly D14/151
D558,727 S * 1/2008 Daly D14/149
D558,729 S * 1/2008 Daly D14/151
D565,020 S * 3/2008 Daly D14/149
D581,897 S * 12/2008 Katori D14/151
D585,397 S 1/2009 Hwang
D604,258 S 11/2009 Rinaldi et al.
D608,759 S * 1/2010 Chun D14/151
D615,066 S 5/2010 Huang et al.
D620,464 S 7/2010 Quiros et al.
D620,472 S 7/2010 Robinson et al.
D629,381 S 12/2010 Verthein et al.
D636,769 S 4/2011 Wood et al.
D653,646 S 2/2012 Hovdal
D654,074 S 2/2012 Wood et al.
D657,773 S 4/2012 Corsini et al.
D658,616 S 5/2012 Van Der Flier et al.
D658,627 S 5/2012 Katori
D668,901 S 10/2012 Jones et al.
D675,592 S 2/2013 Fuxen
D686,184 S 7/2013 Takahata et al.
D723,502 S * 3/2015 Chun D14/130
D725,623 S 3/2015 Hartmann et al.
D738,845 S * 9/2015 Kwak D14/151
D744,464 S 12/2015 Snyder et al.
D753,624 S * 4/2016 Ji D14/151
D757,677 S 5/2016 Hutt et al.
D763,219 S 8/2016 Engelke et al.
D767,527 S * 9/2016 Hillenmayer D14/140.8
D776,655 S * 1/2017 Chen D14/240
D783,569 S * 4/2017 Kwak D14/151
D784,283 S 4/2017 Snyder et al.
D788,737 S * 6/2017 Takei D14/151
D835,060 S * 12/2018 Peng D14/151
D835,599 S * 12/2018 Peng D14/151
2008/0240416 A1 * 10/2008 Abramson H04M 1/2477
379/428.03
2011/0216898 A1 * 9/2011 Huang H04M 1/00
379/428.02

* cited by examiner

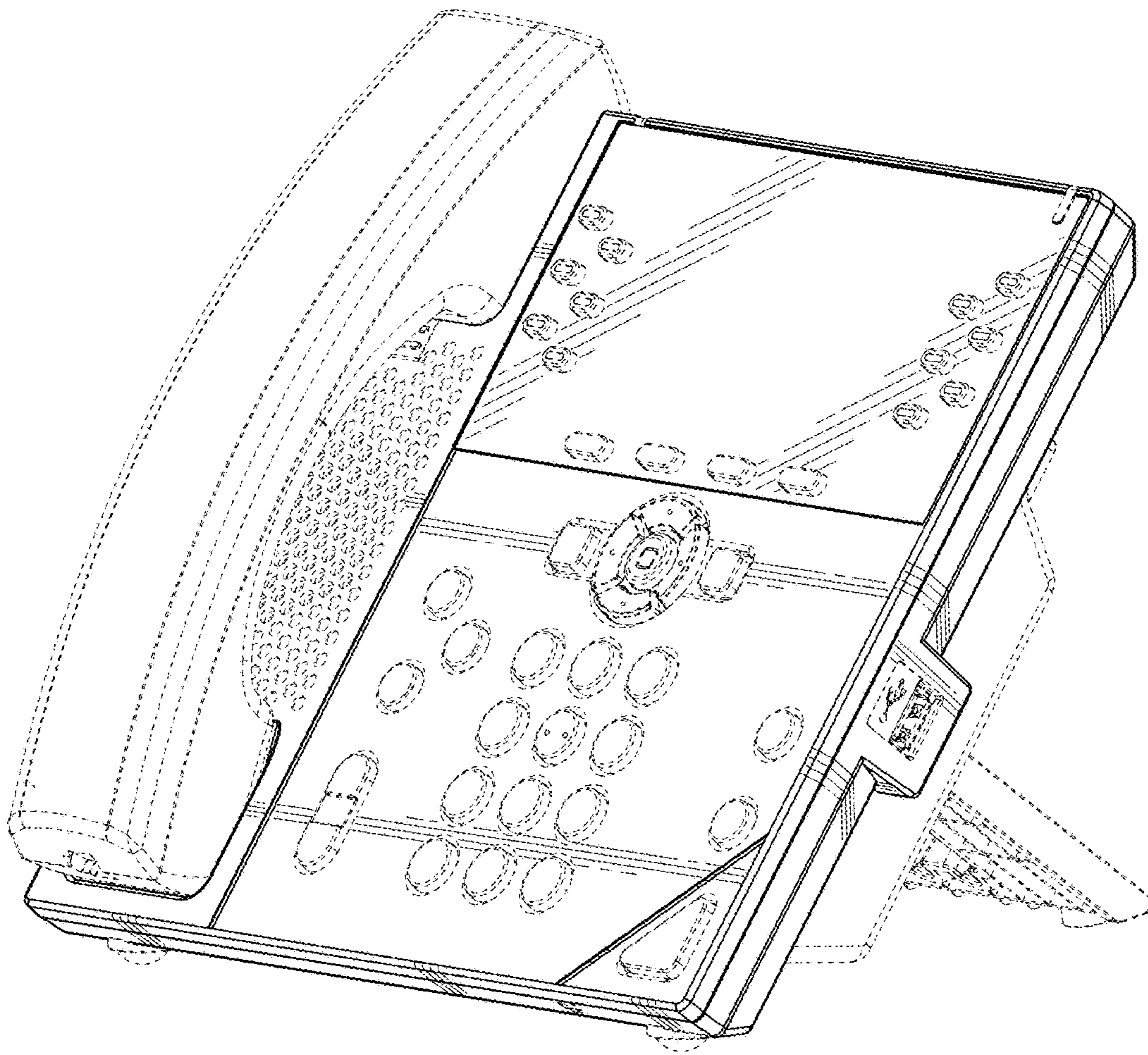


FIG. 1

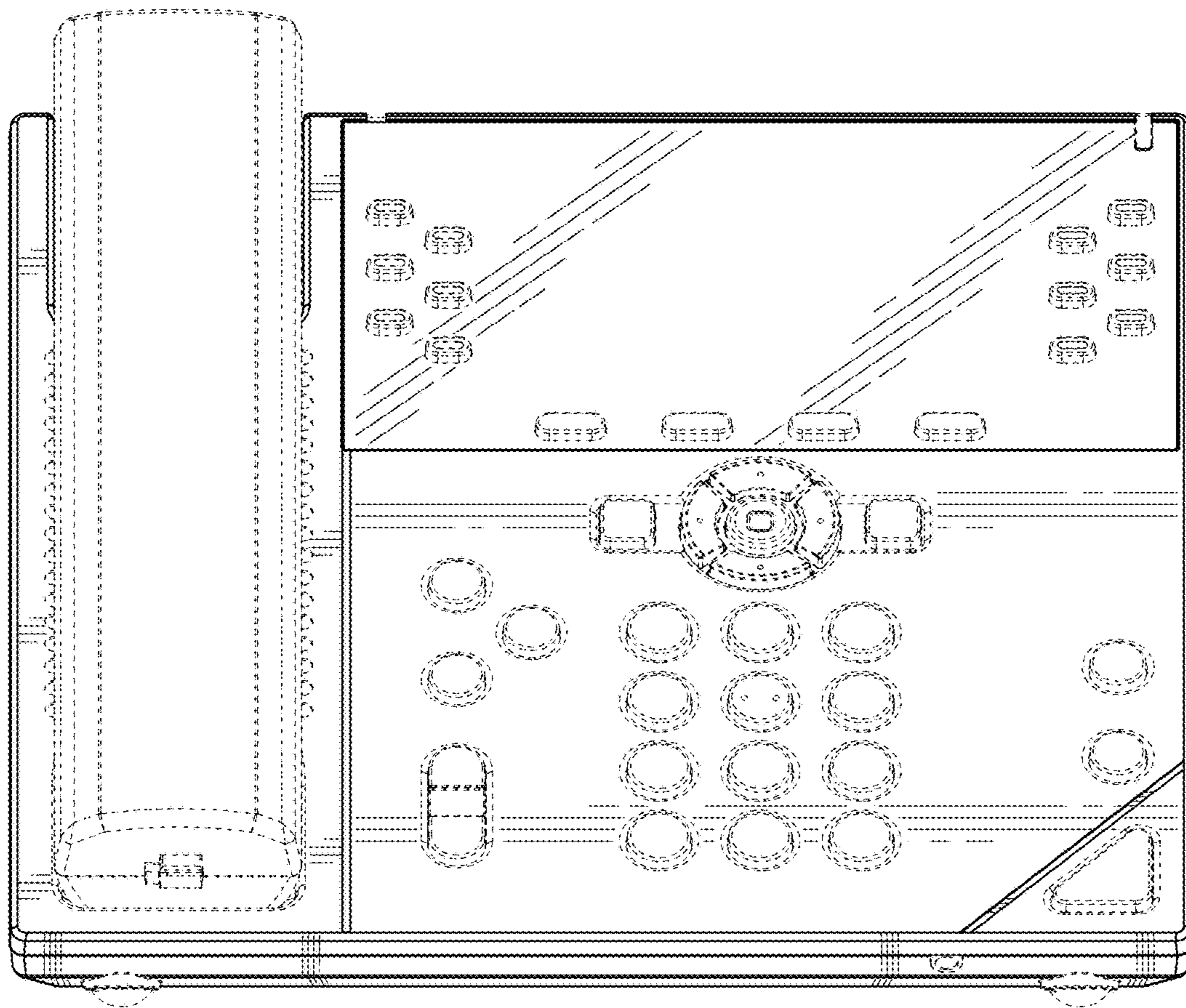


FIG. 2

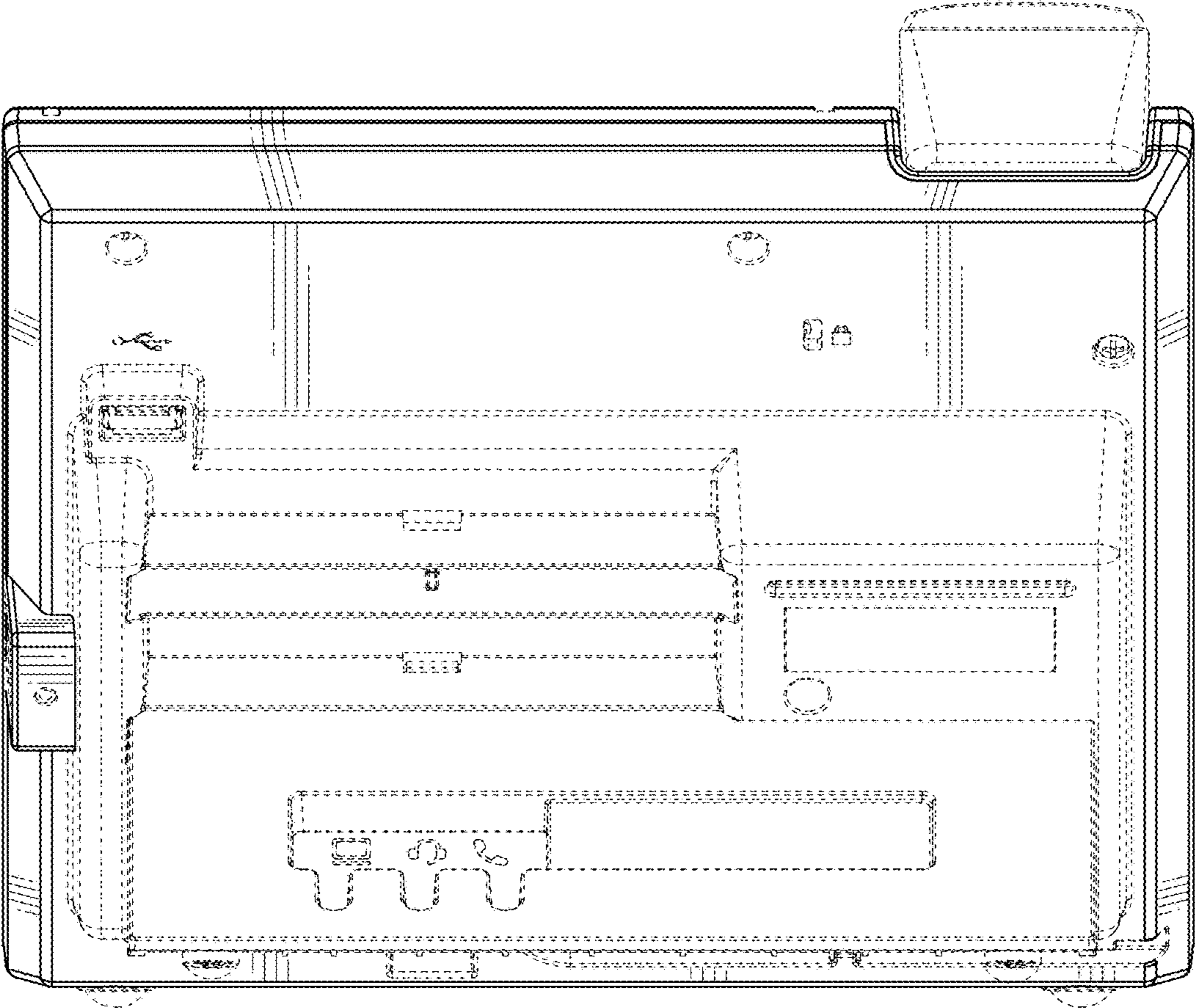


FIG. 3

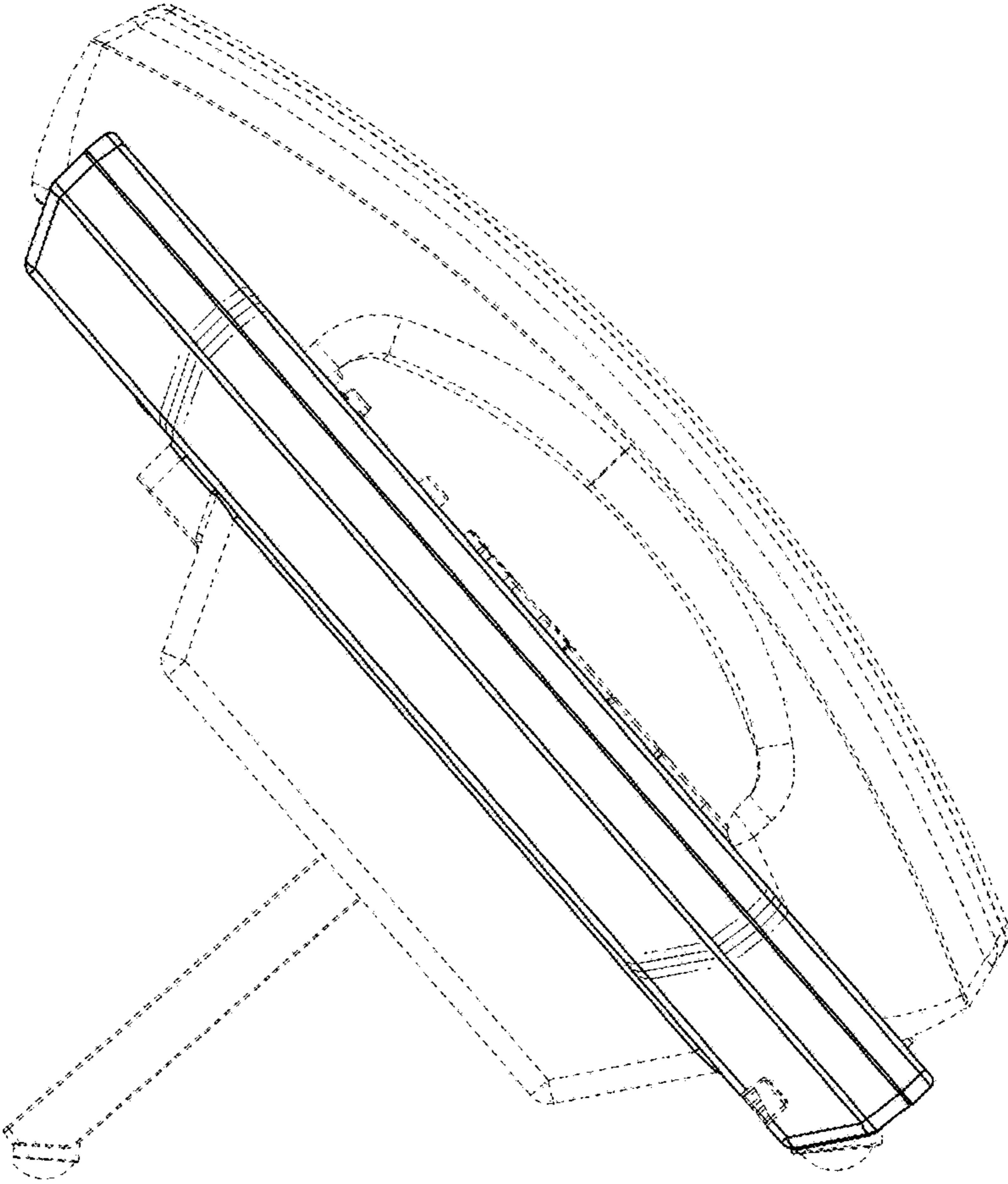


FIG. 4

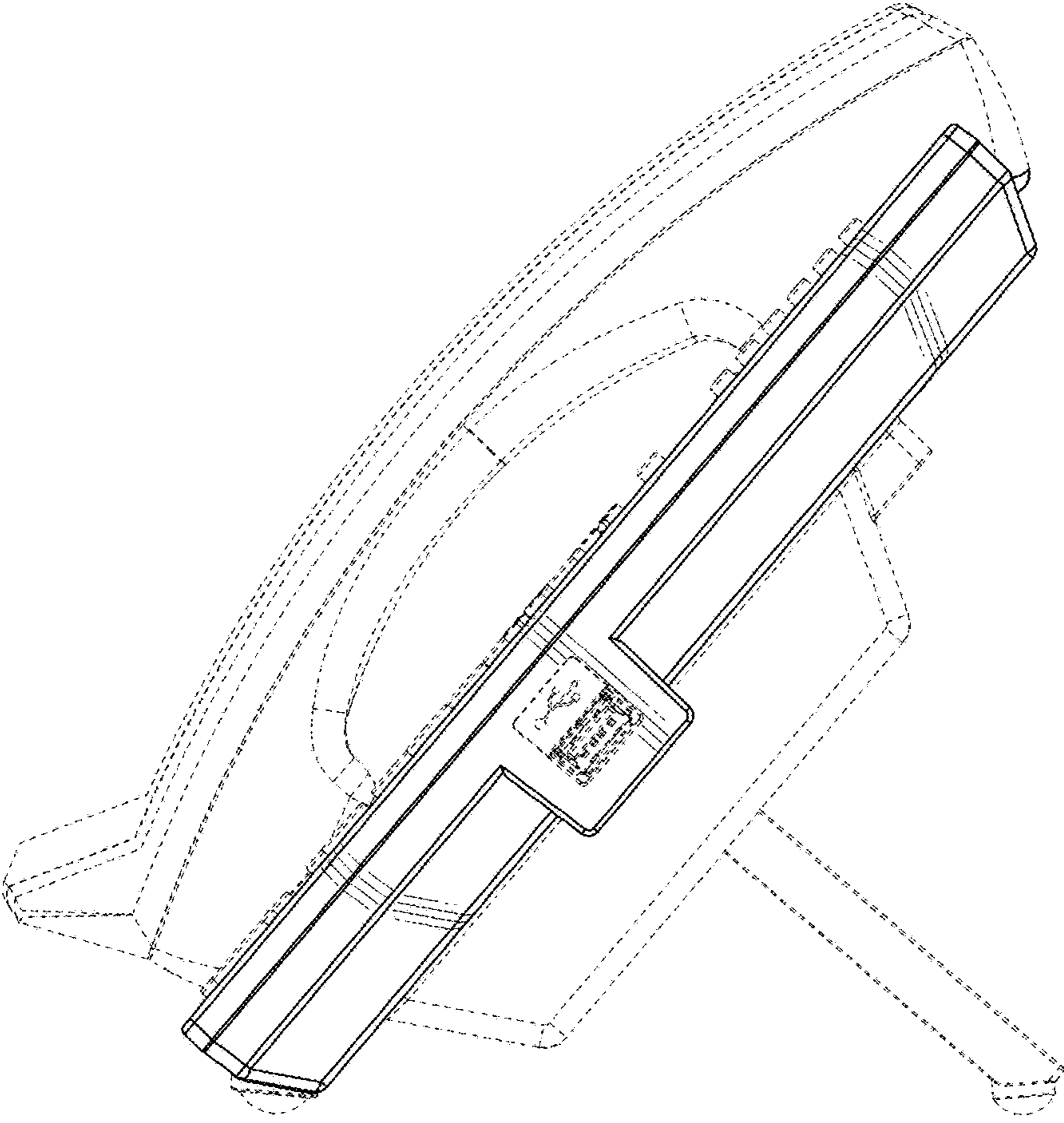


FIG. 5

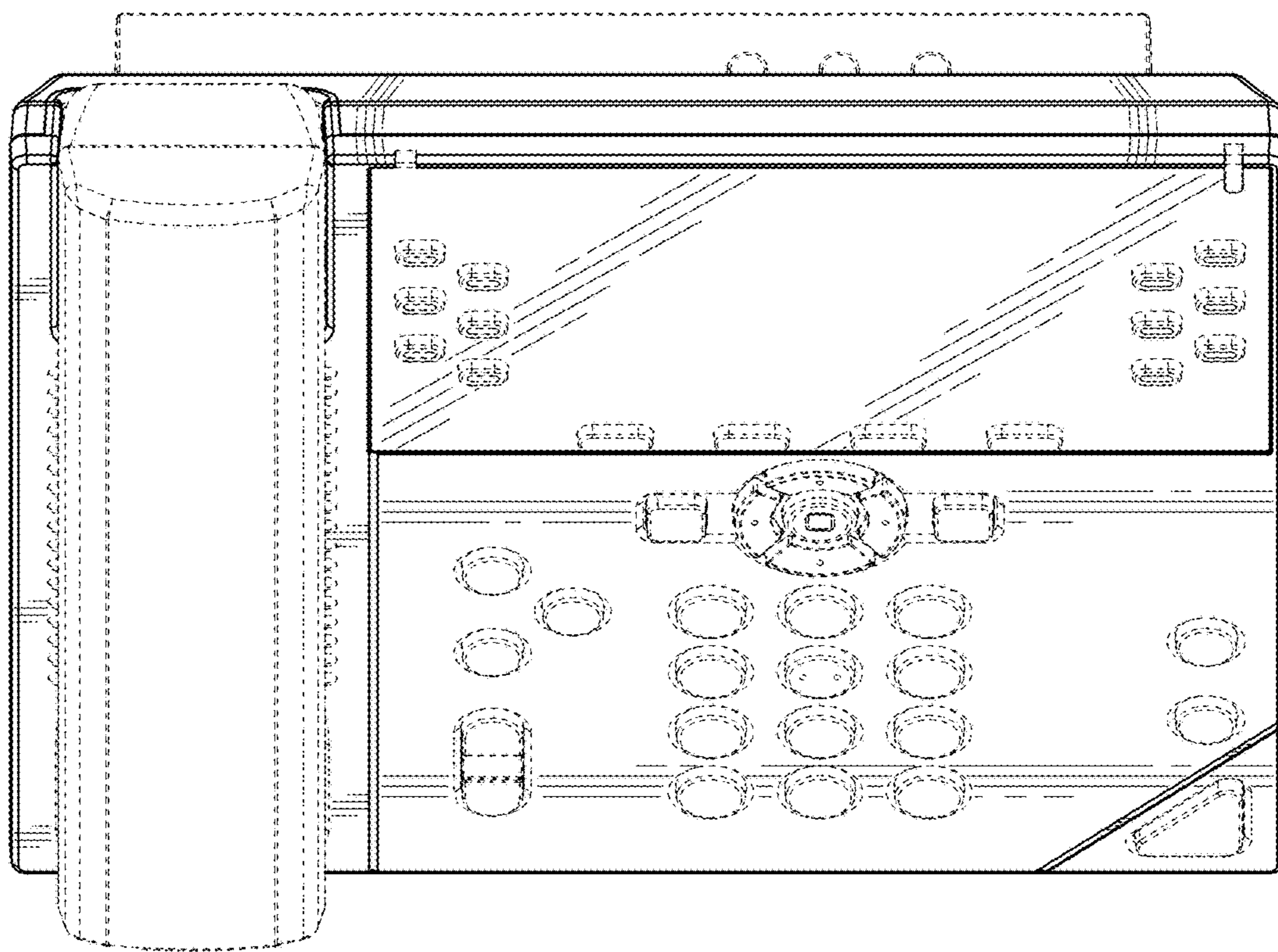


FIG. 6

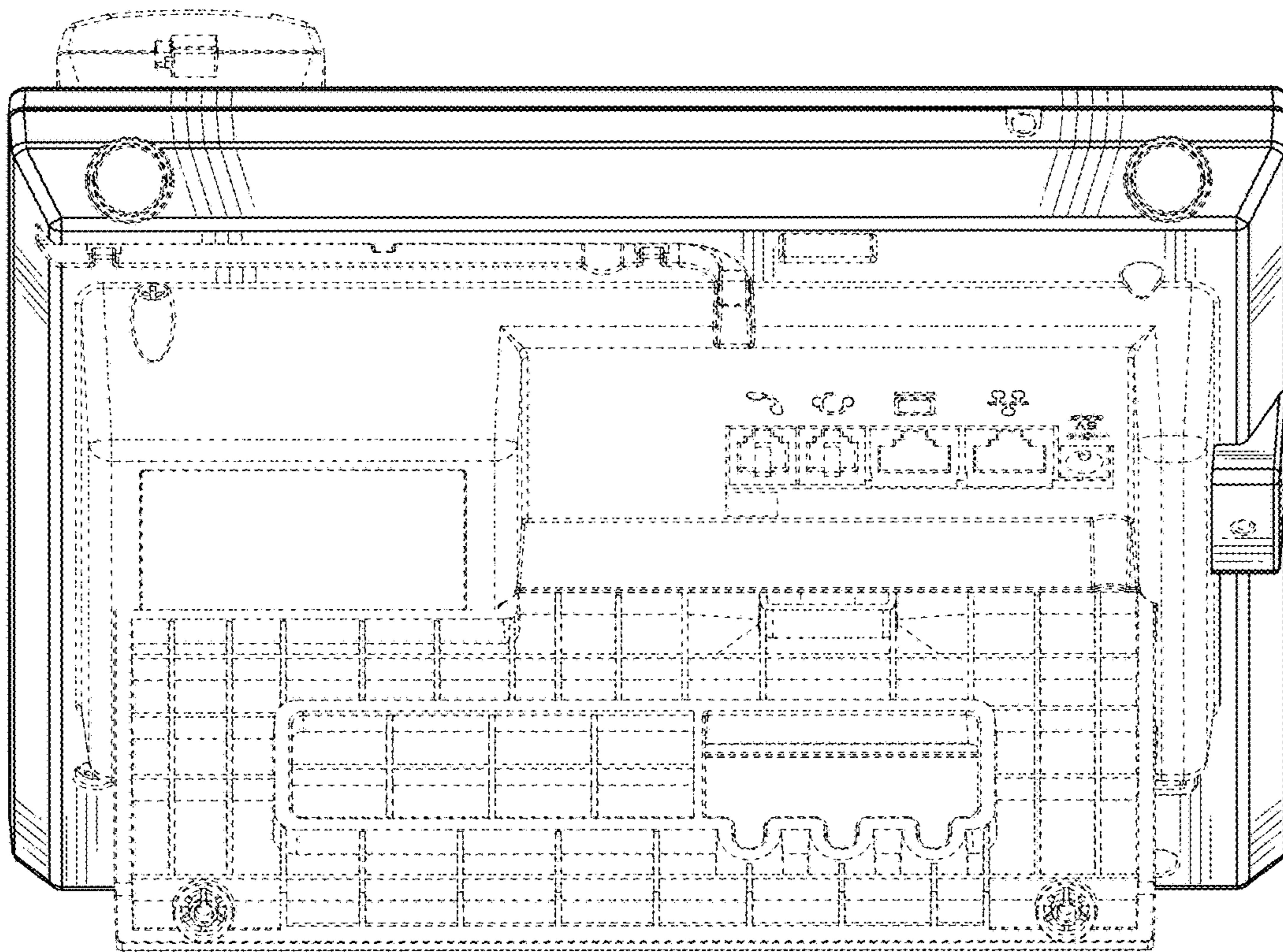


FIG. 7

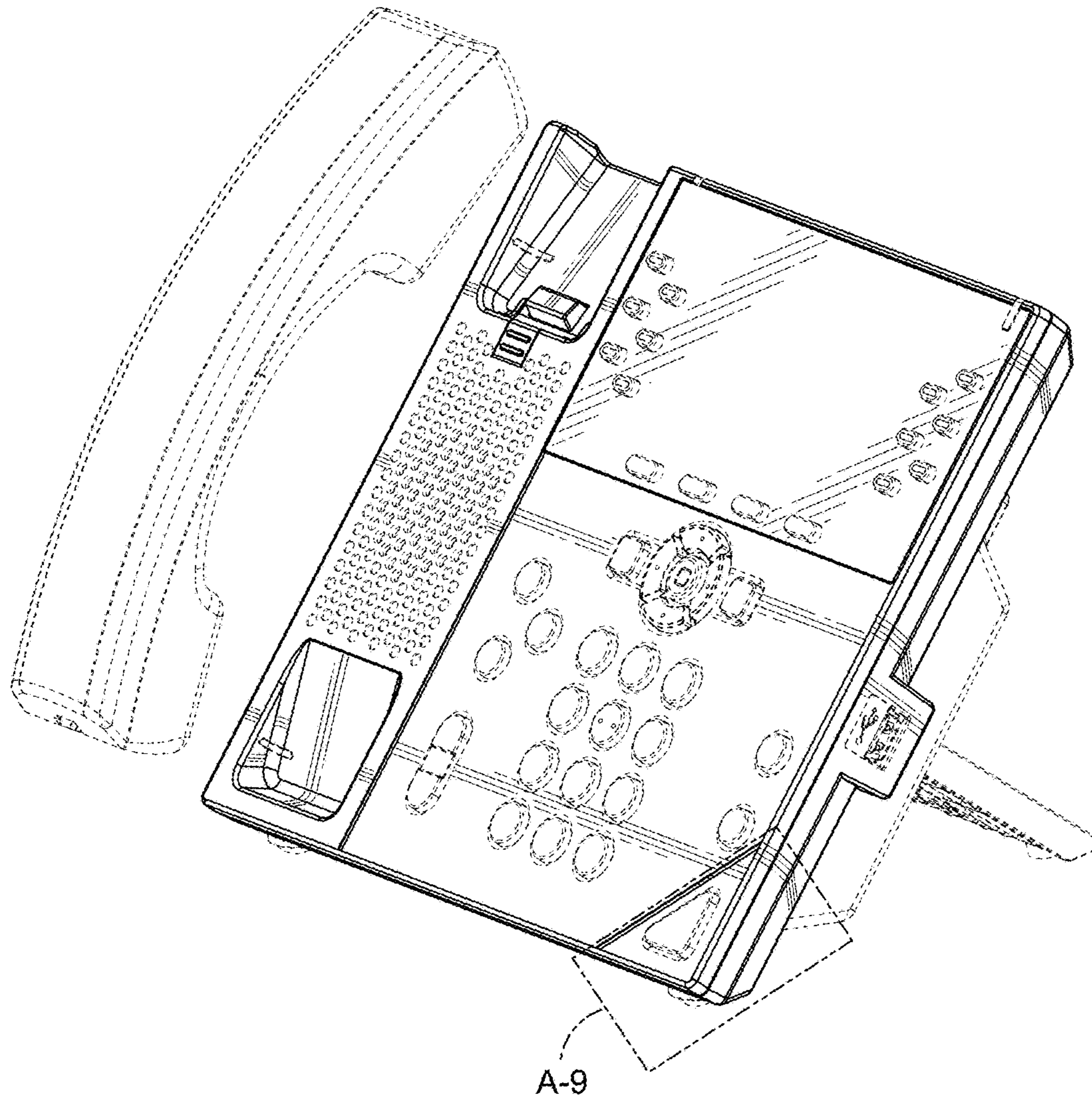


FIG. 8

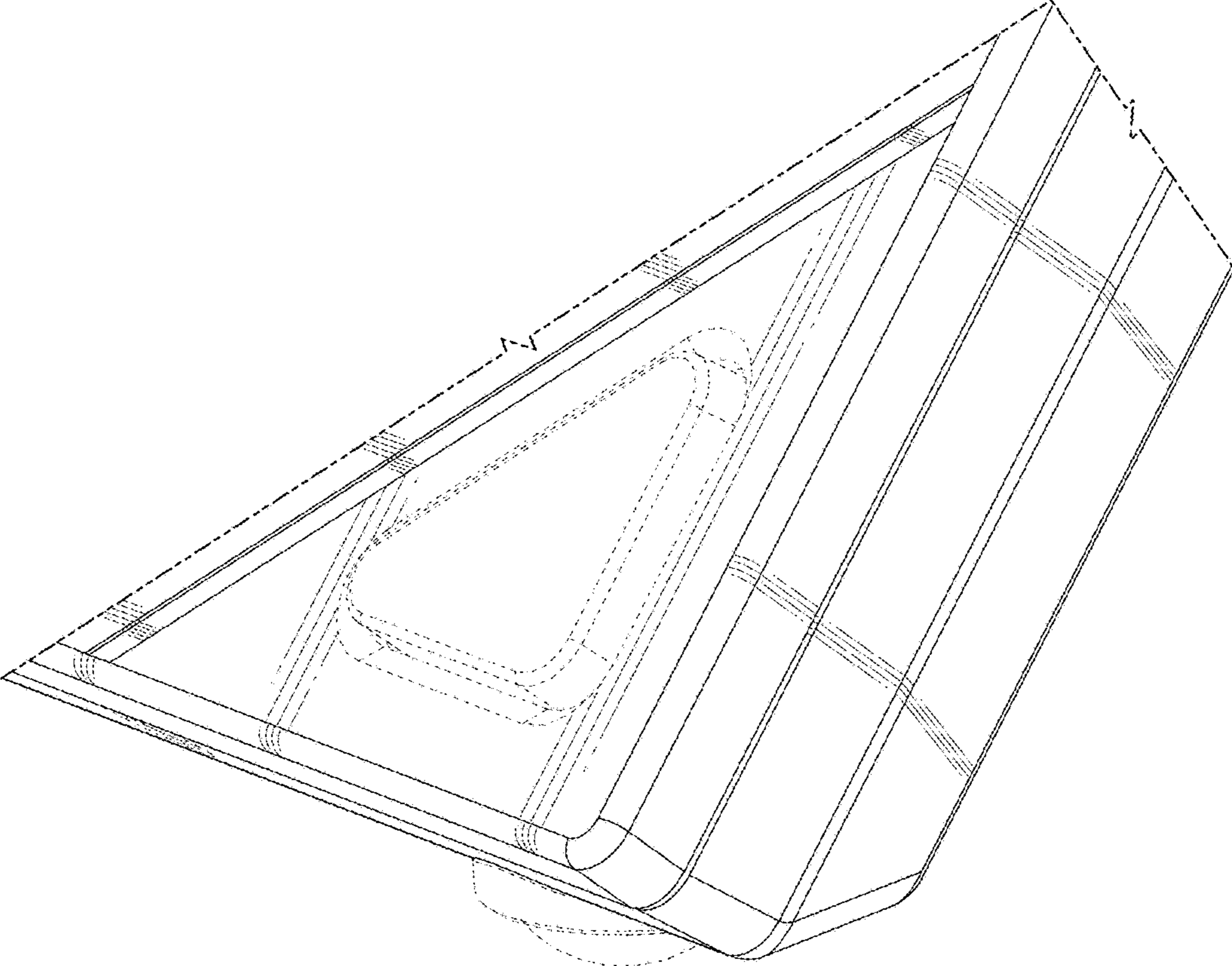


FIG. 9

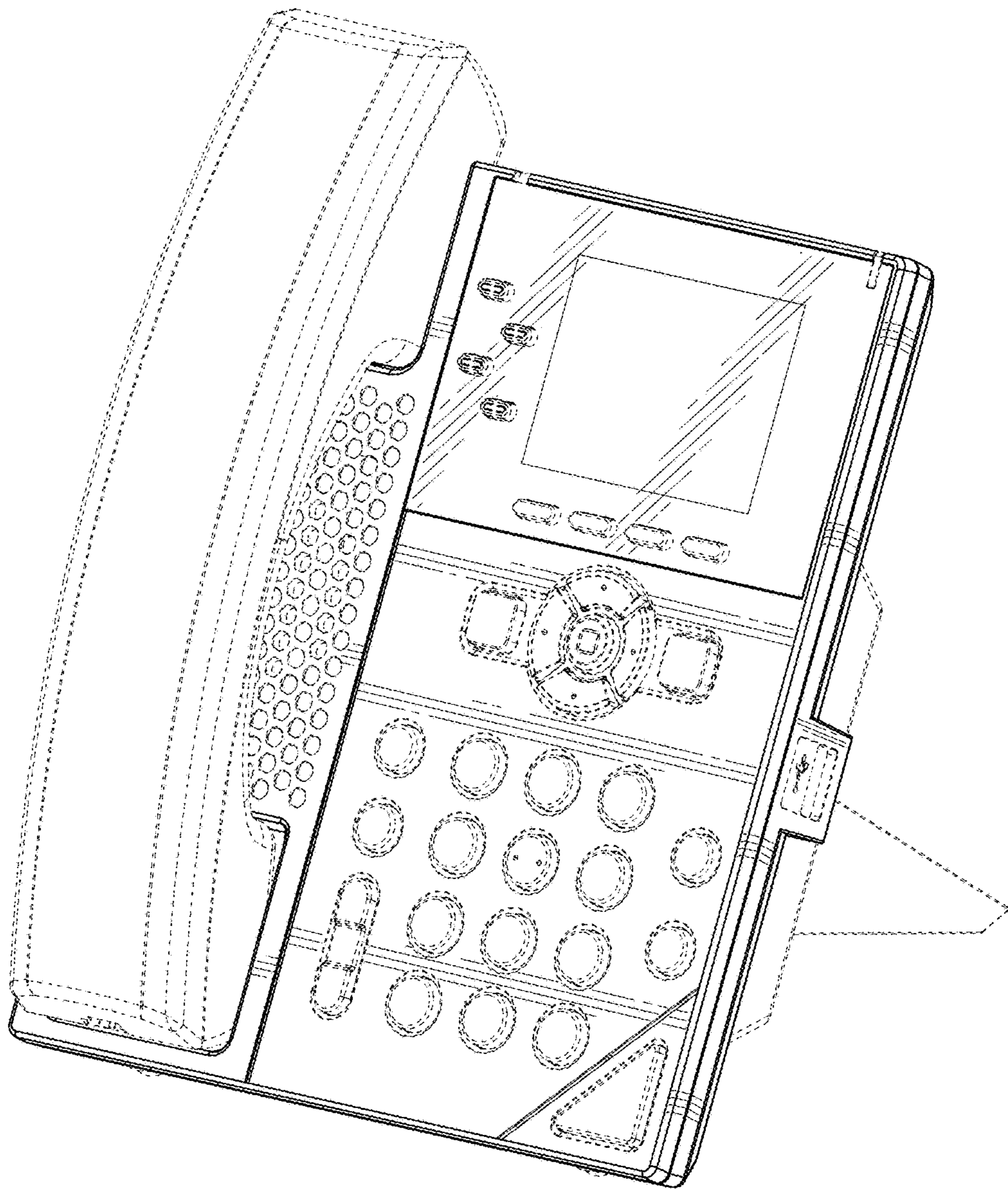


FIG. 10

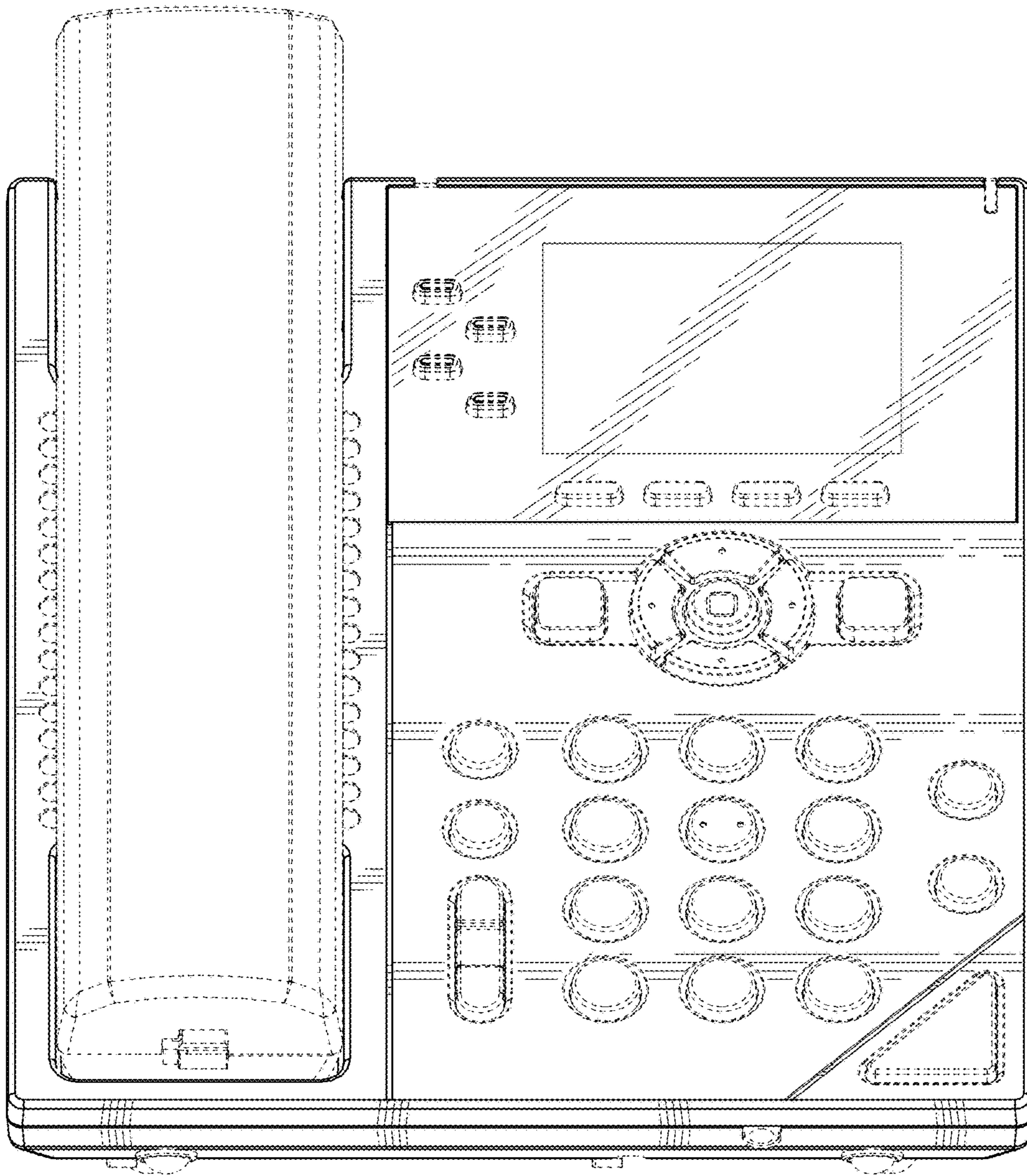


FIG. 11

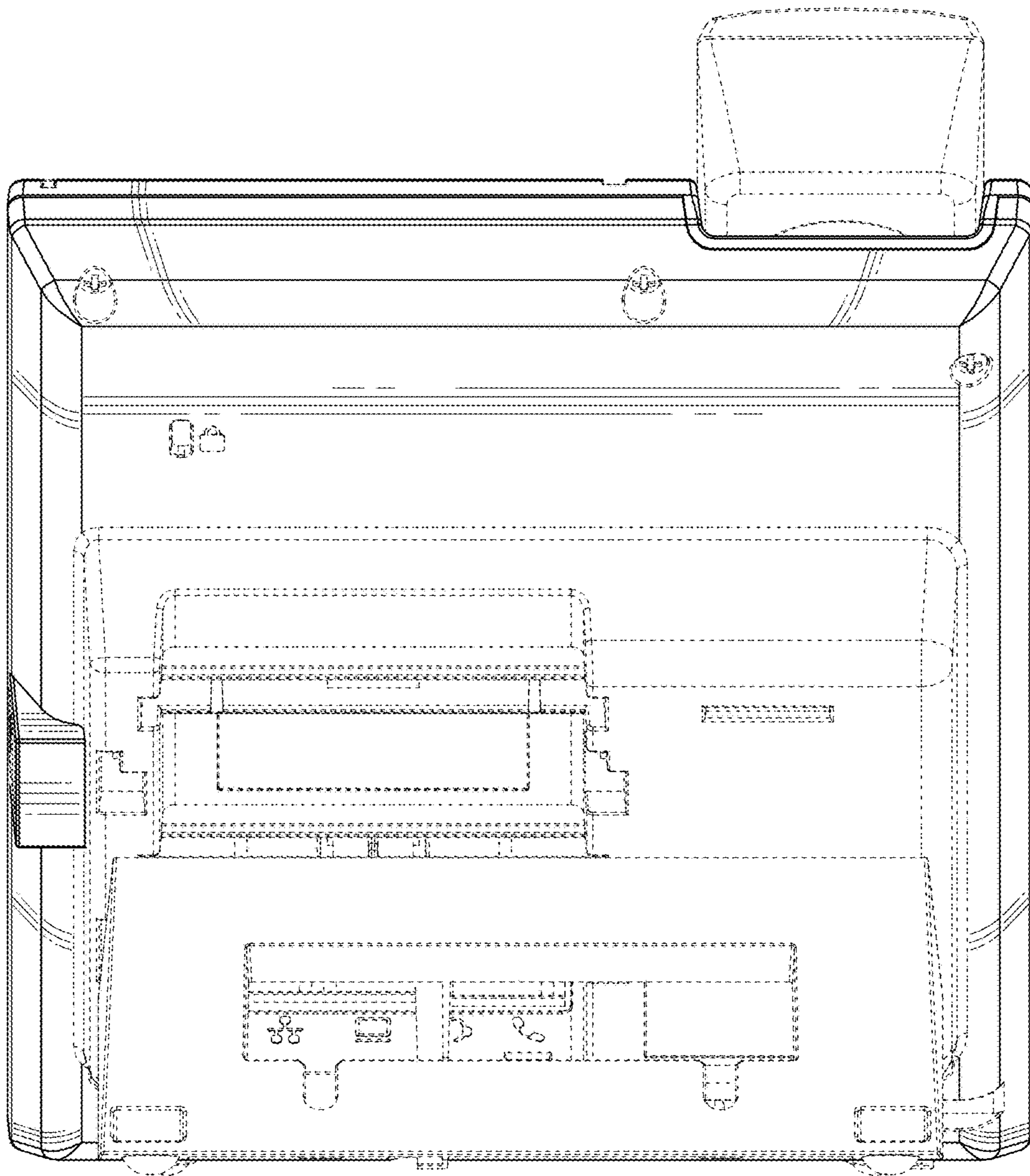


FIG. 12

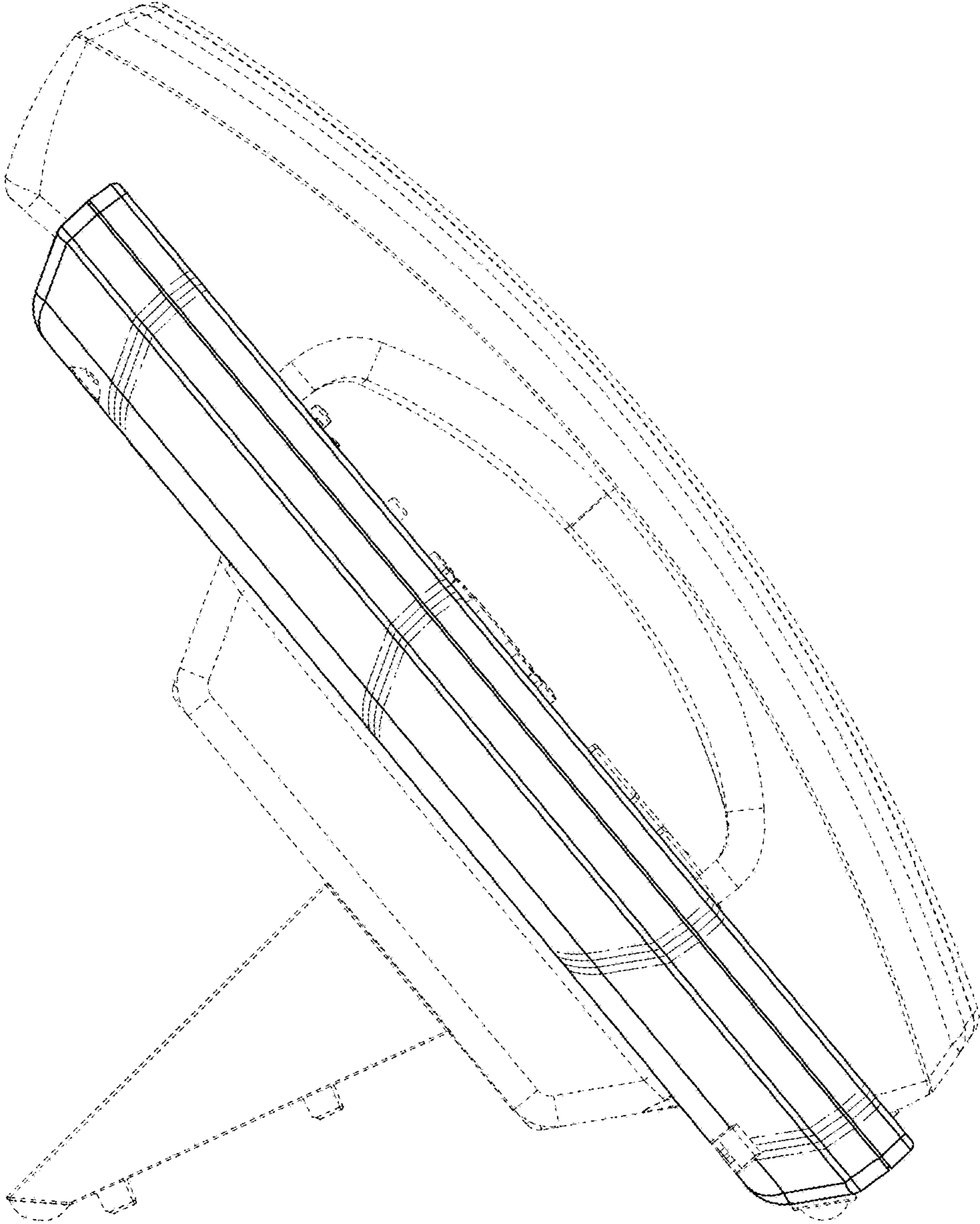


FIG. 13

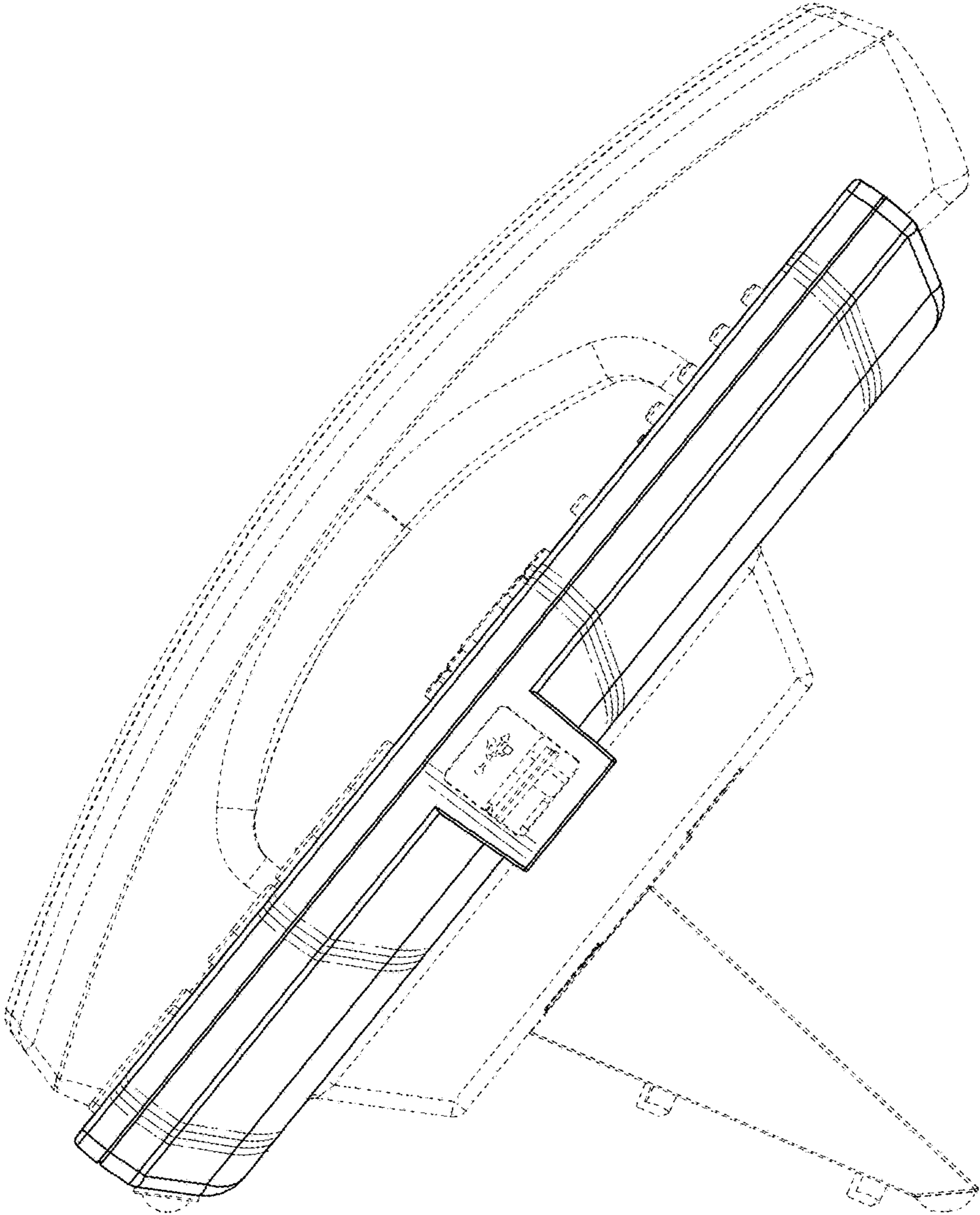


FIG. 14

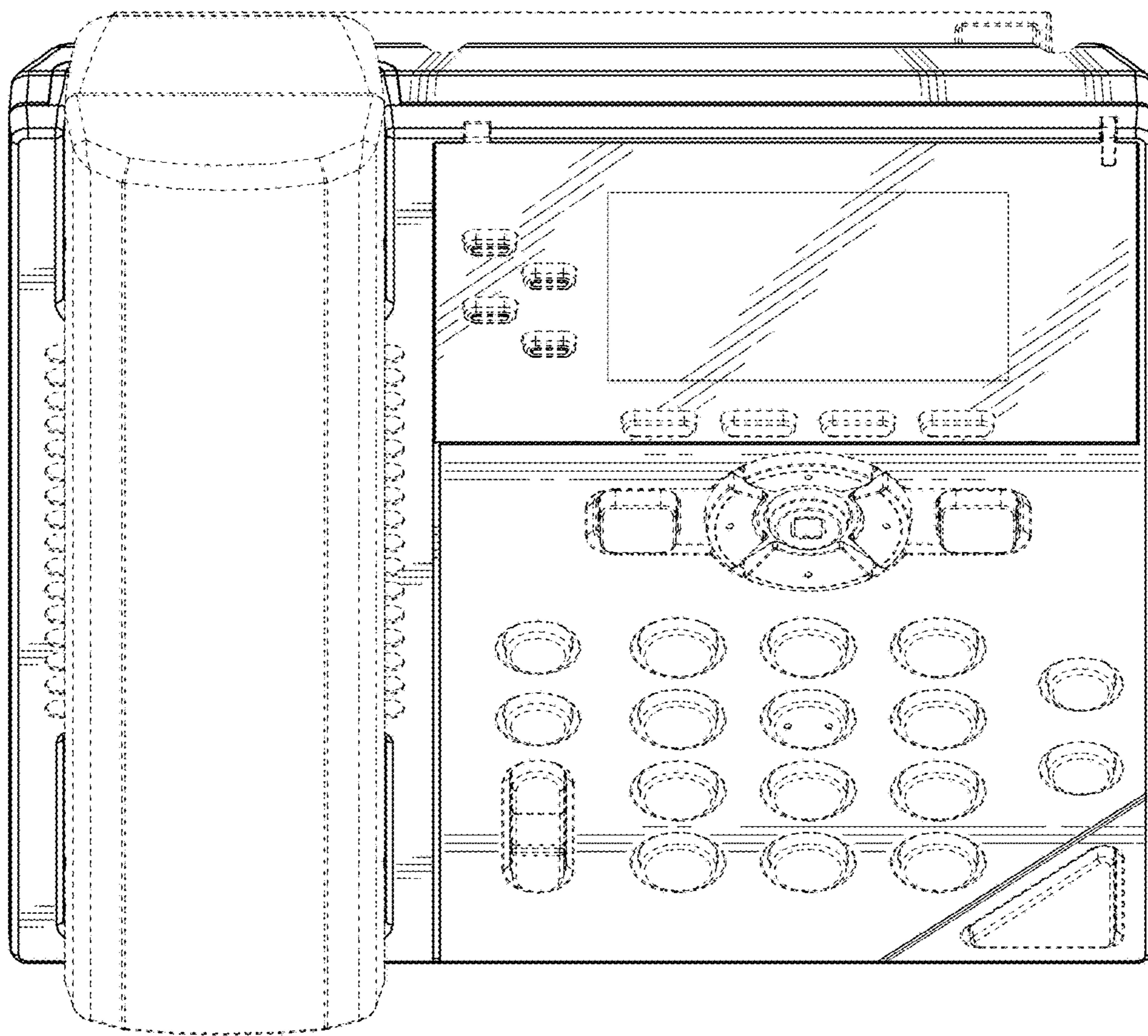


FIG. 15

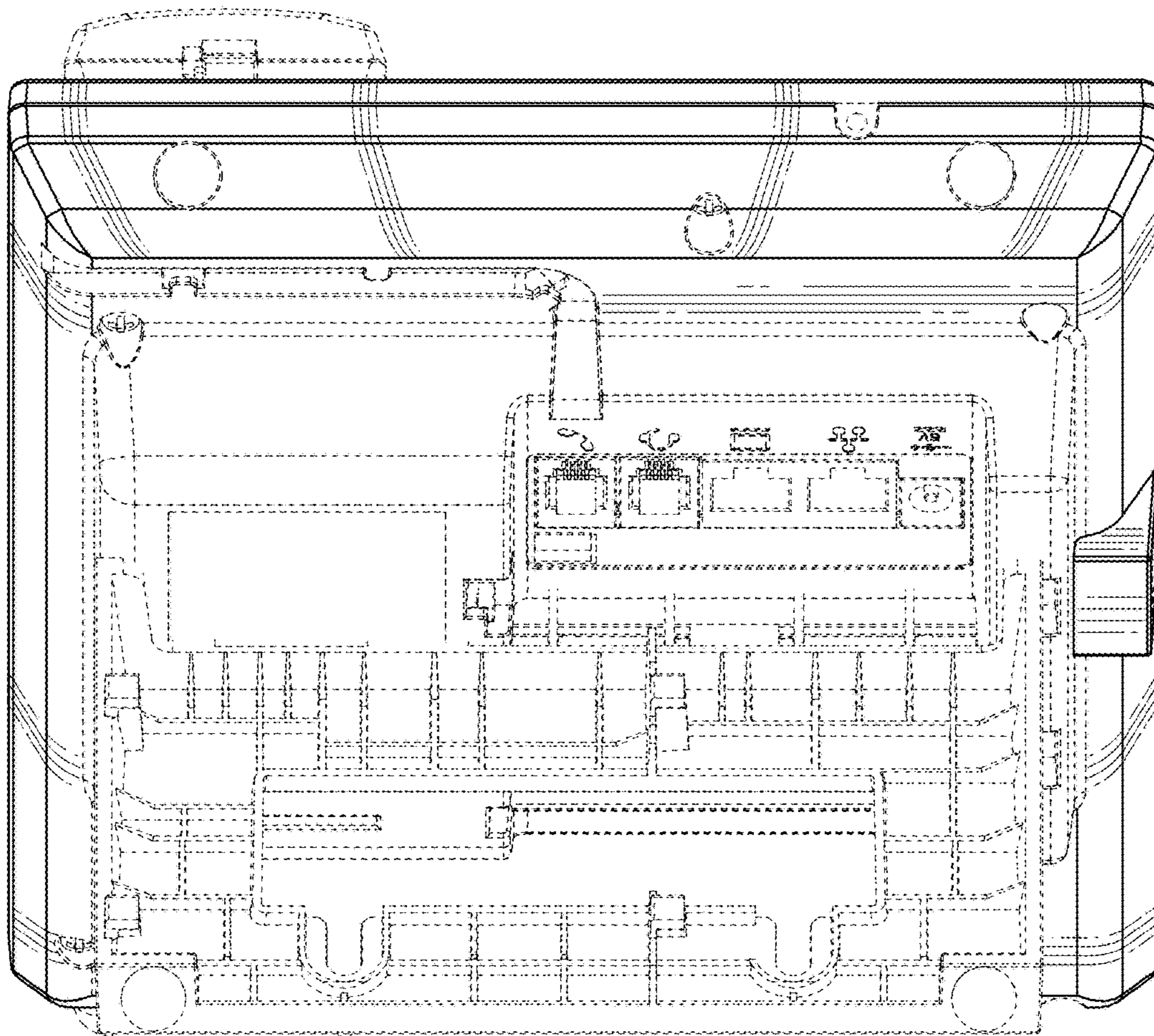


FIG. 16

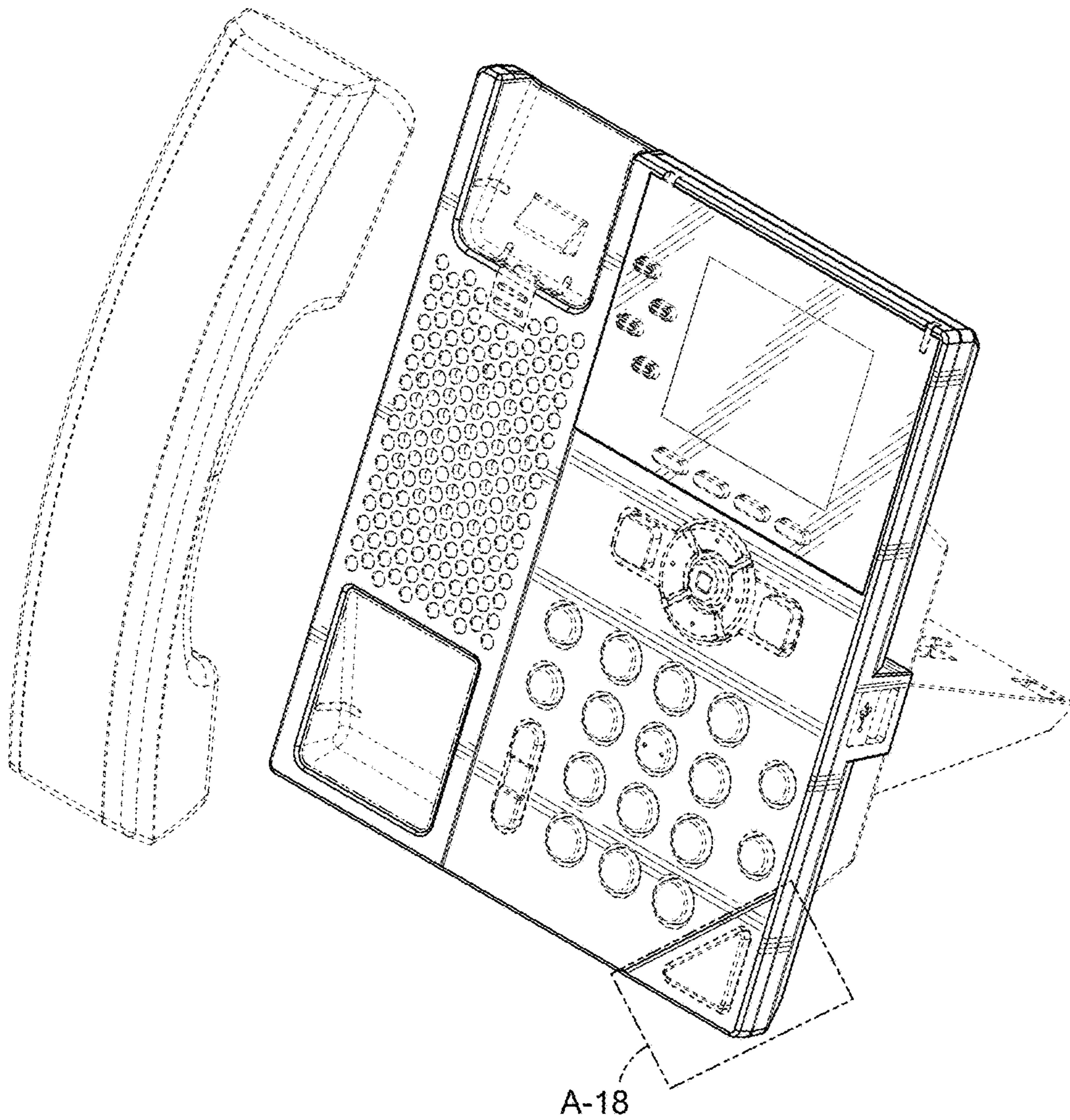


FIG. 17

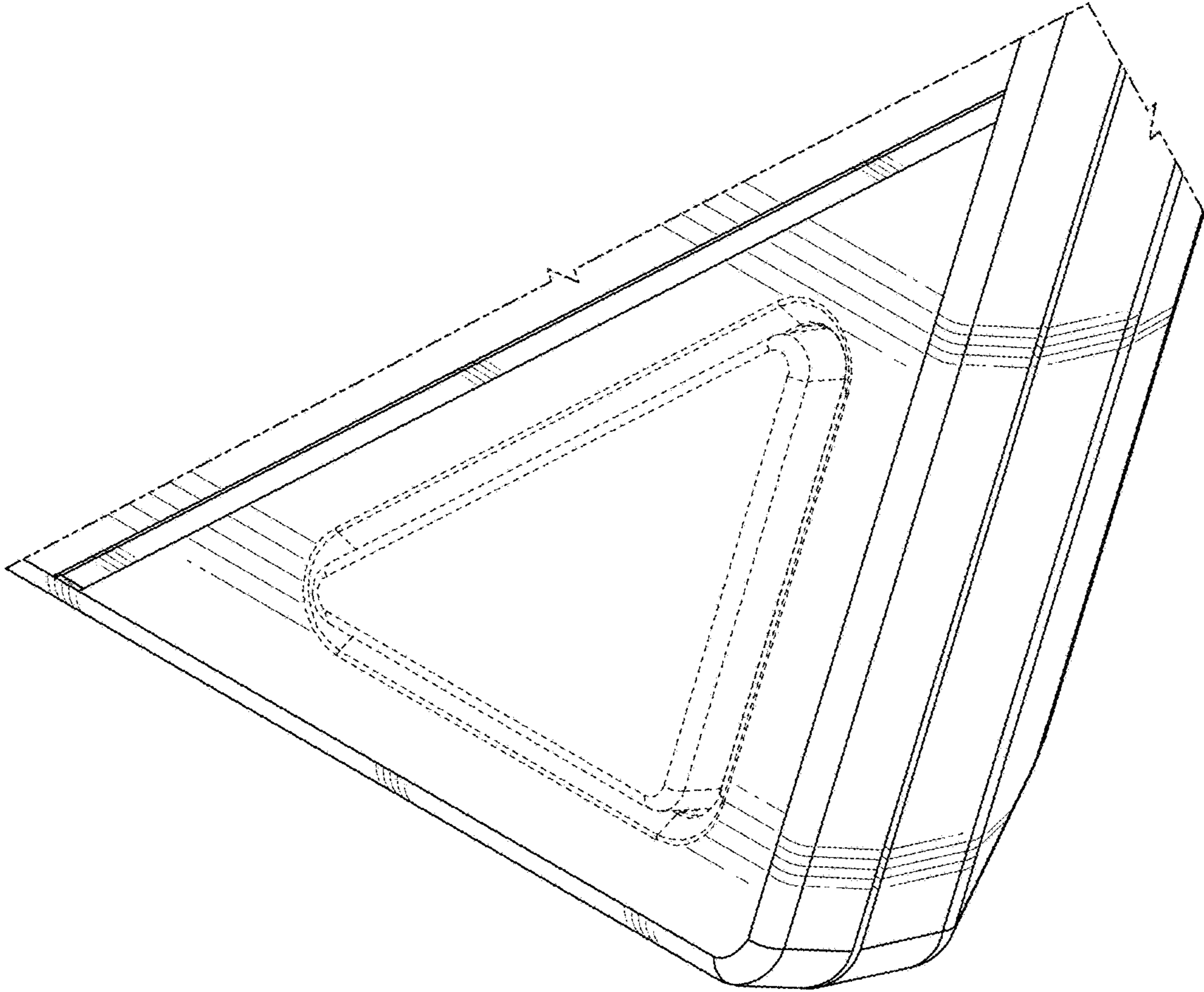


FIG. 18

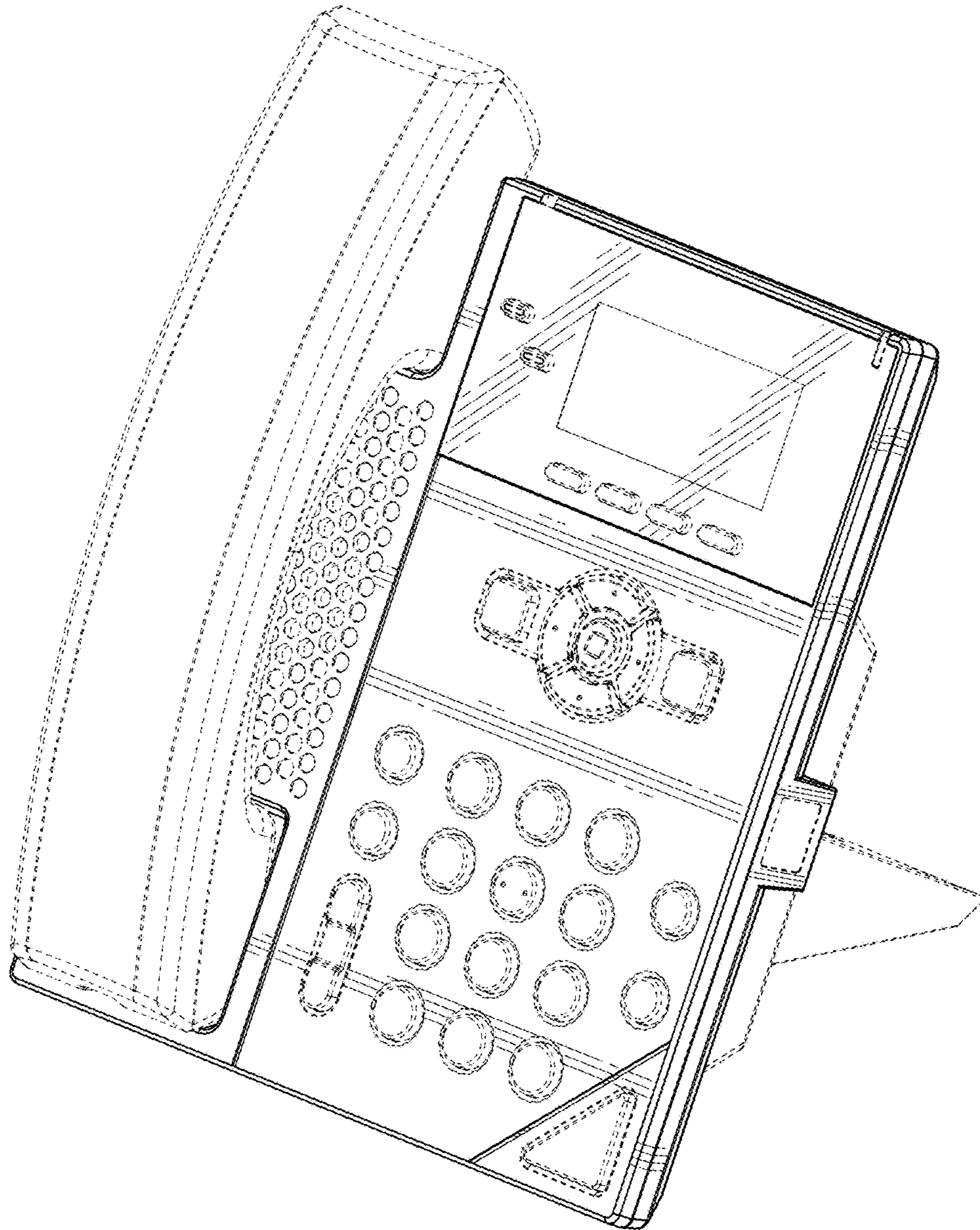


FIG. 19

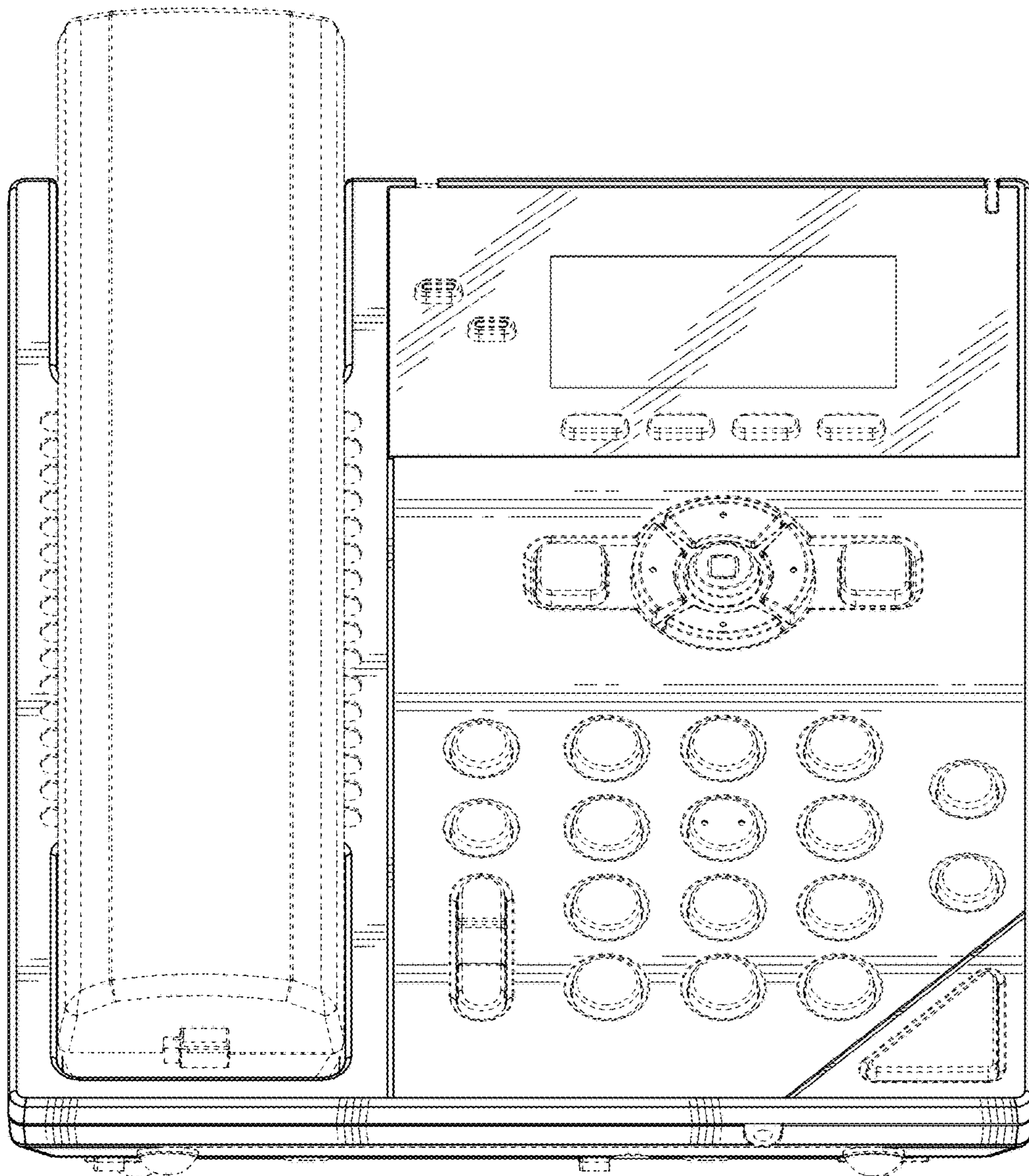


FIG. 20

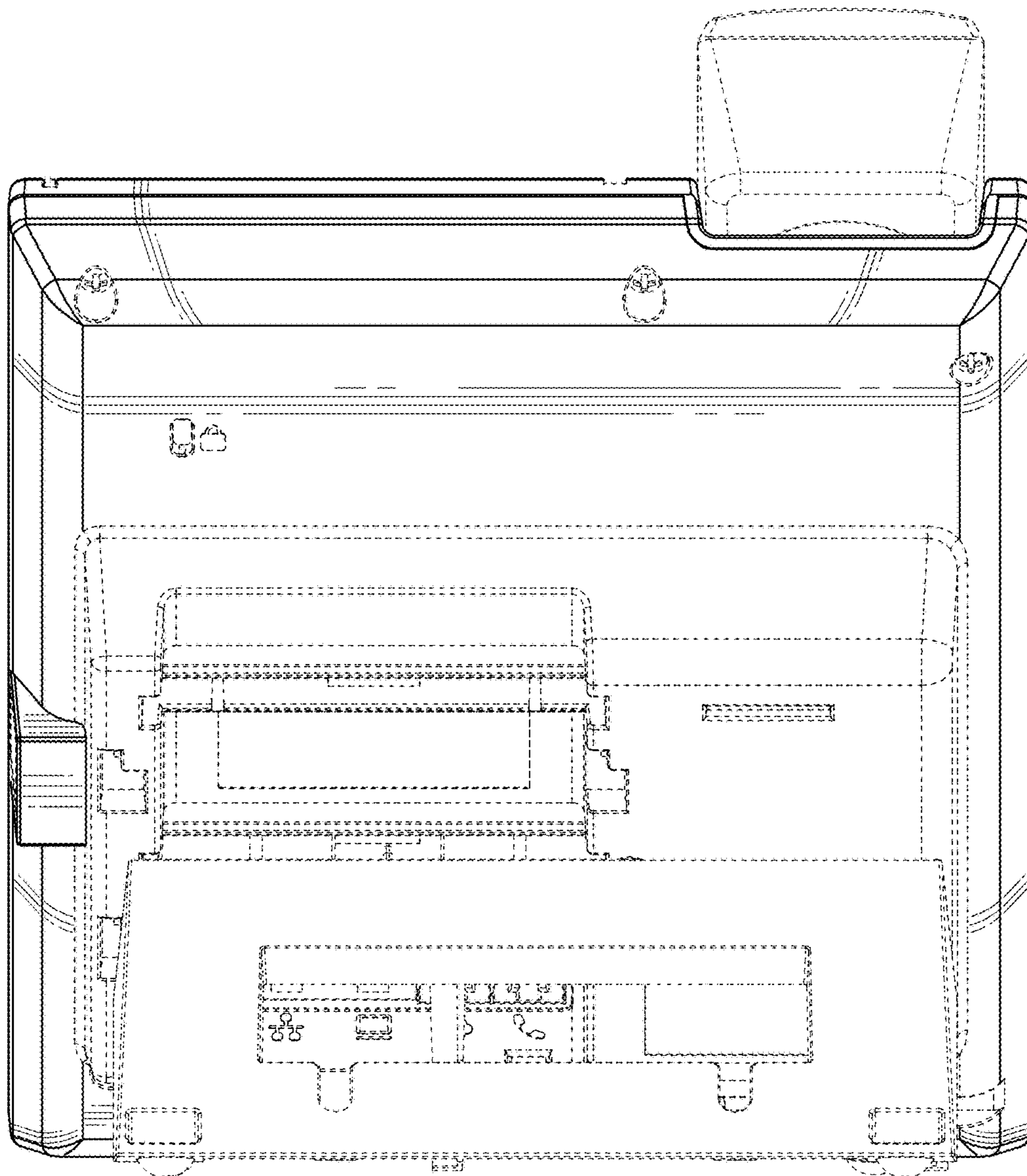


FIG. 21

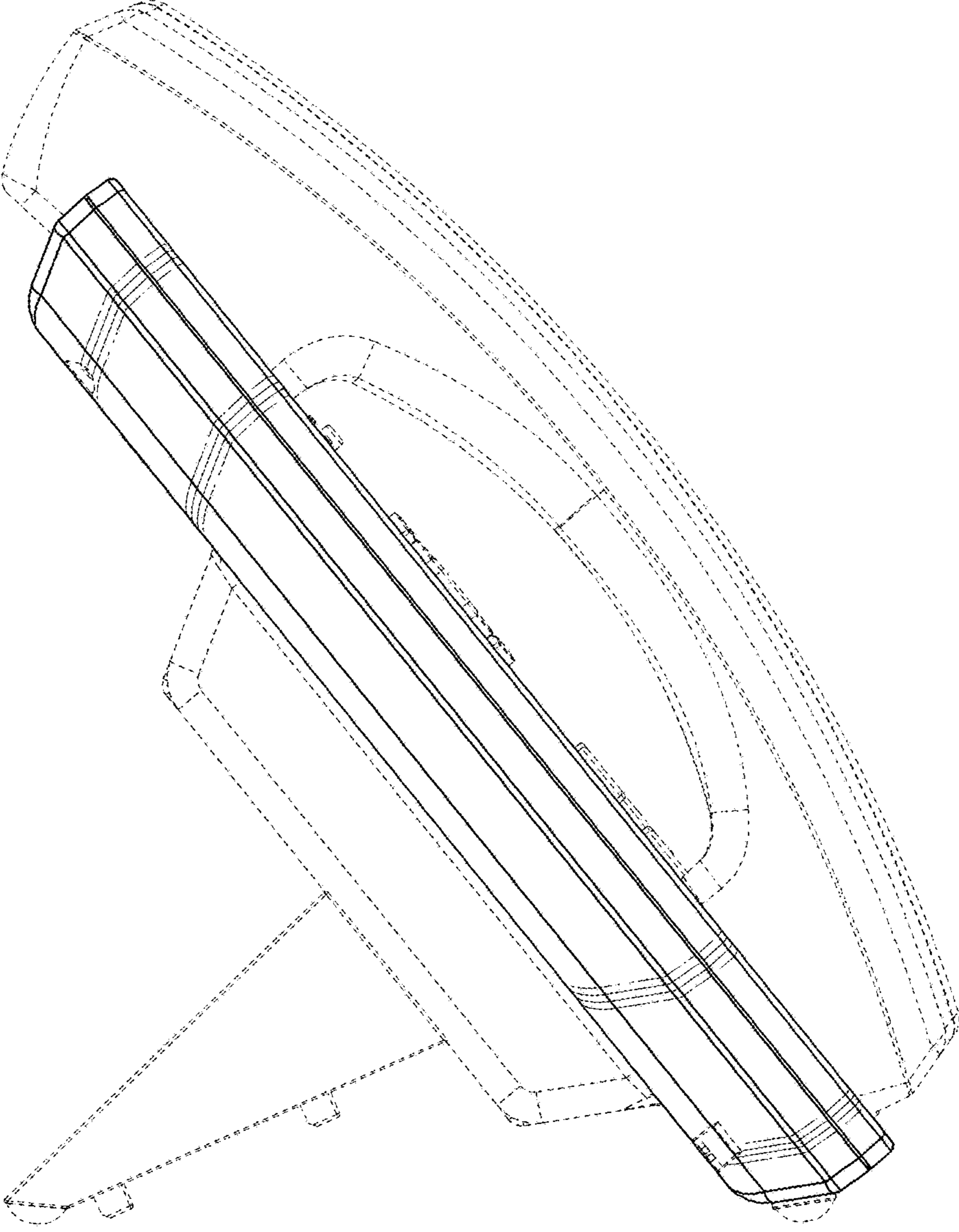


FIG. 22

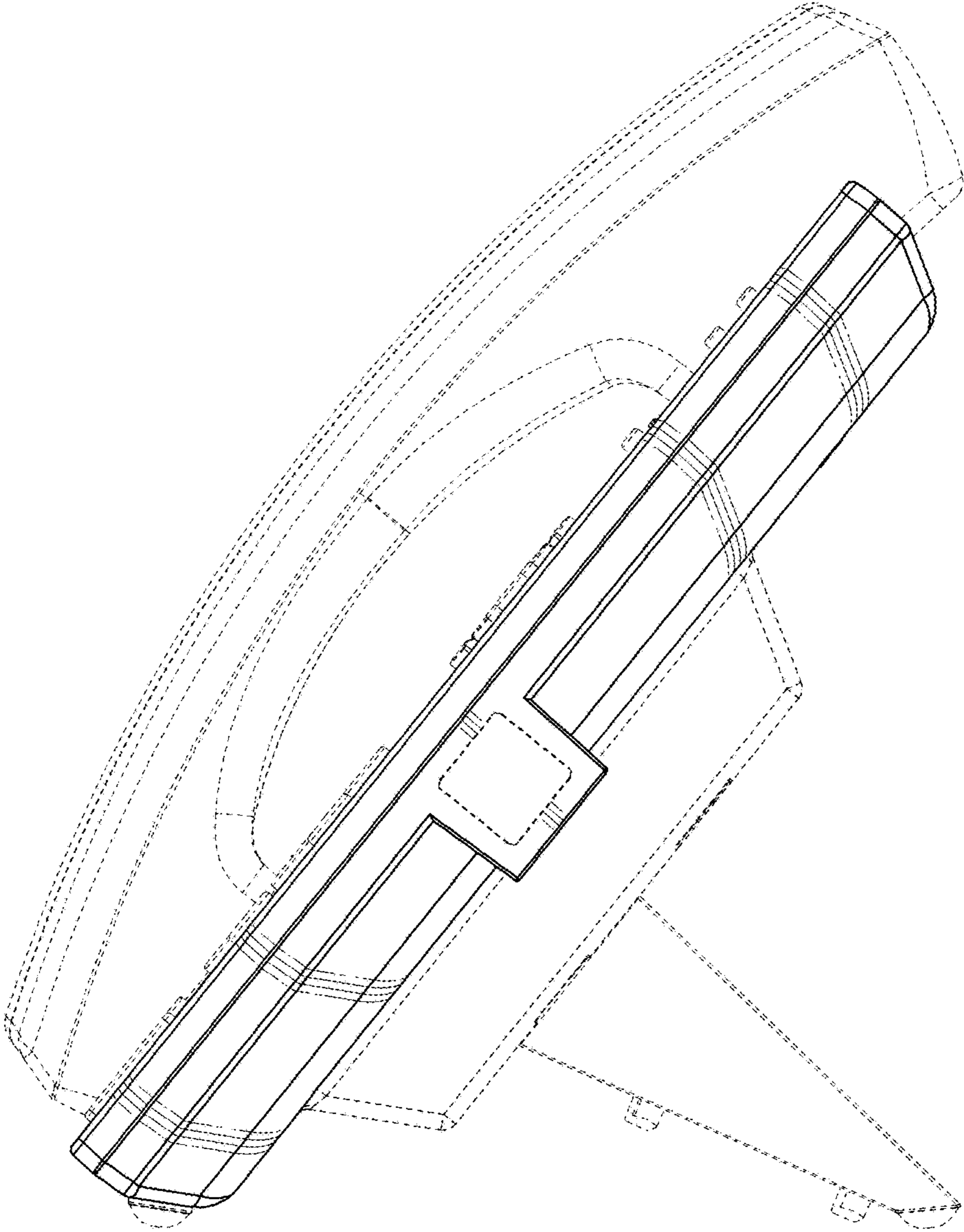


FIG. 23

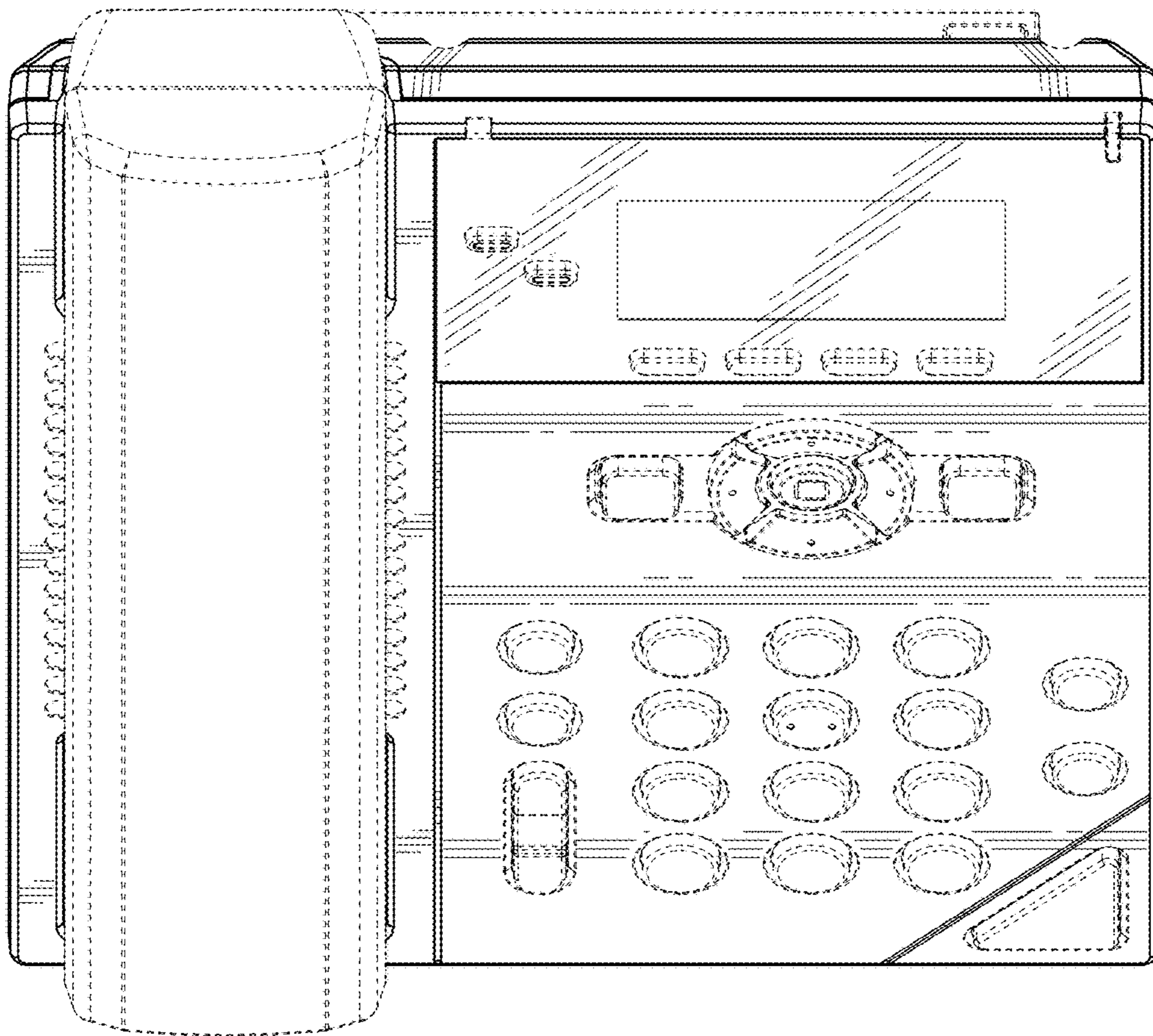


FIG. 24

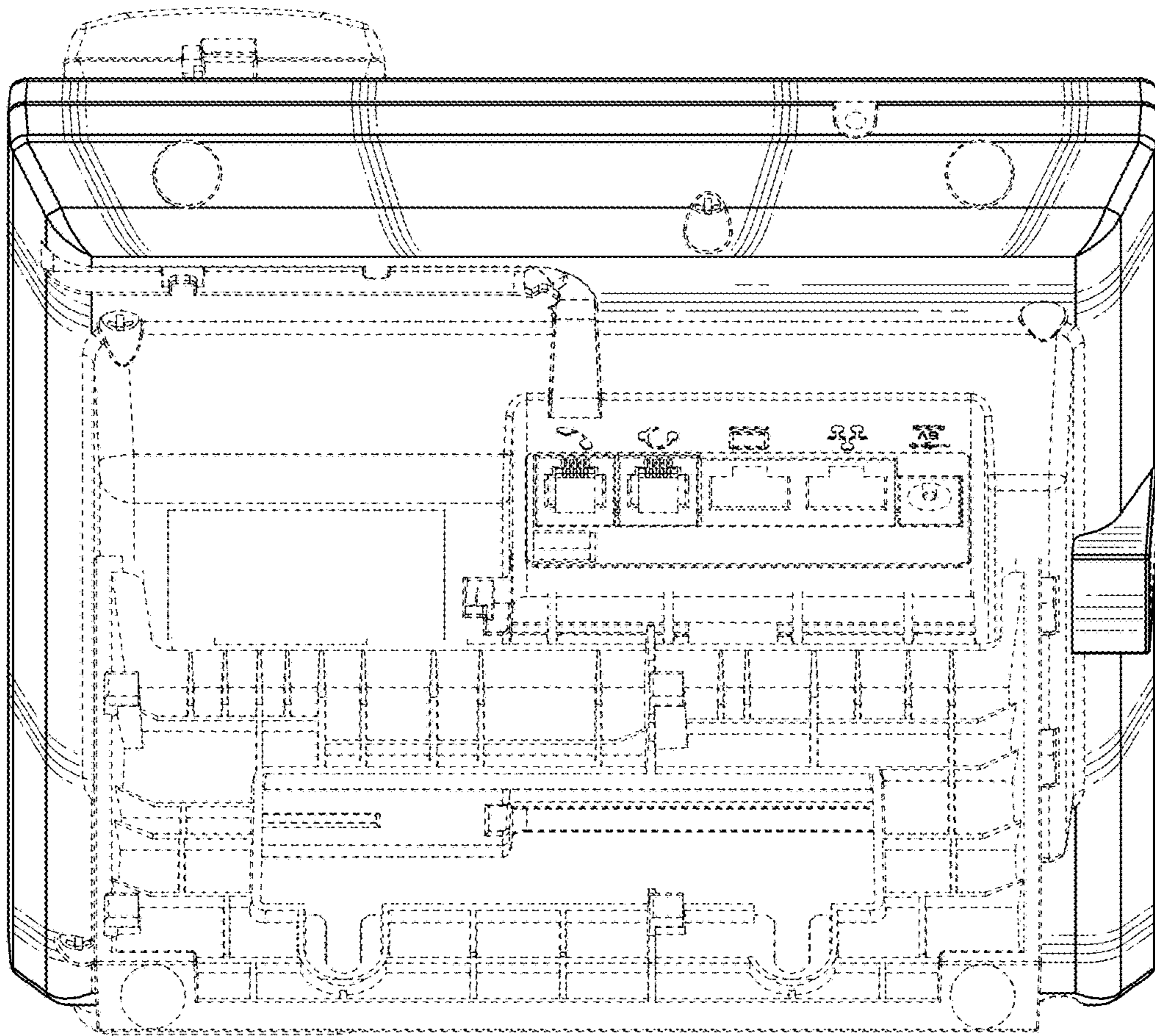


FIG. 25

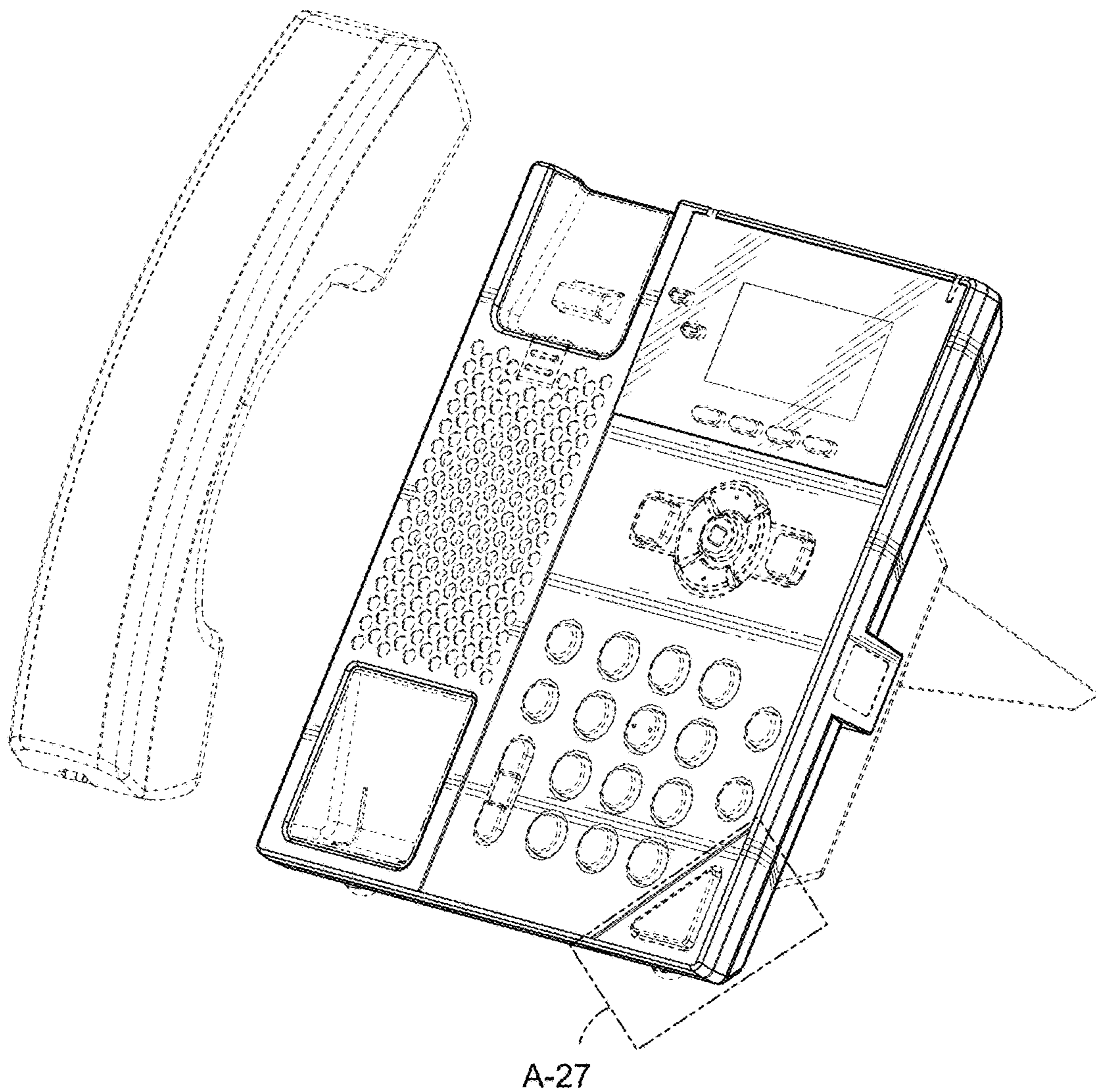


FIG. 26

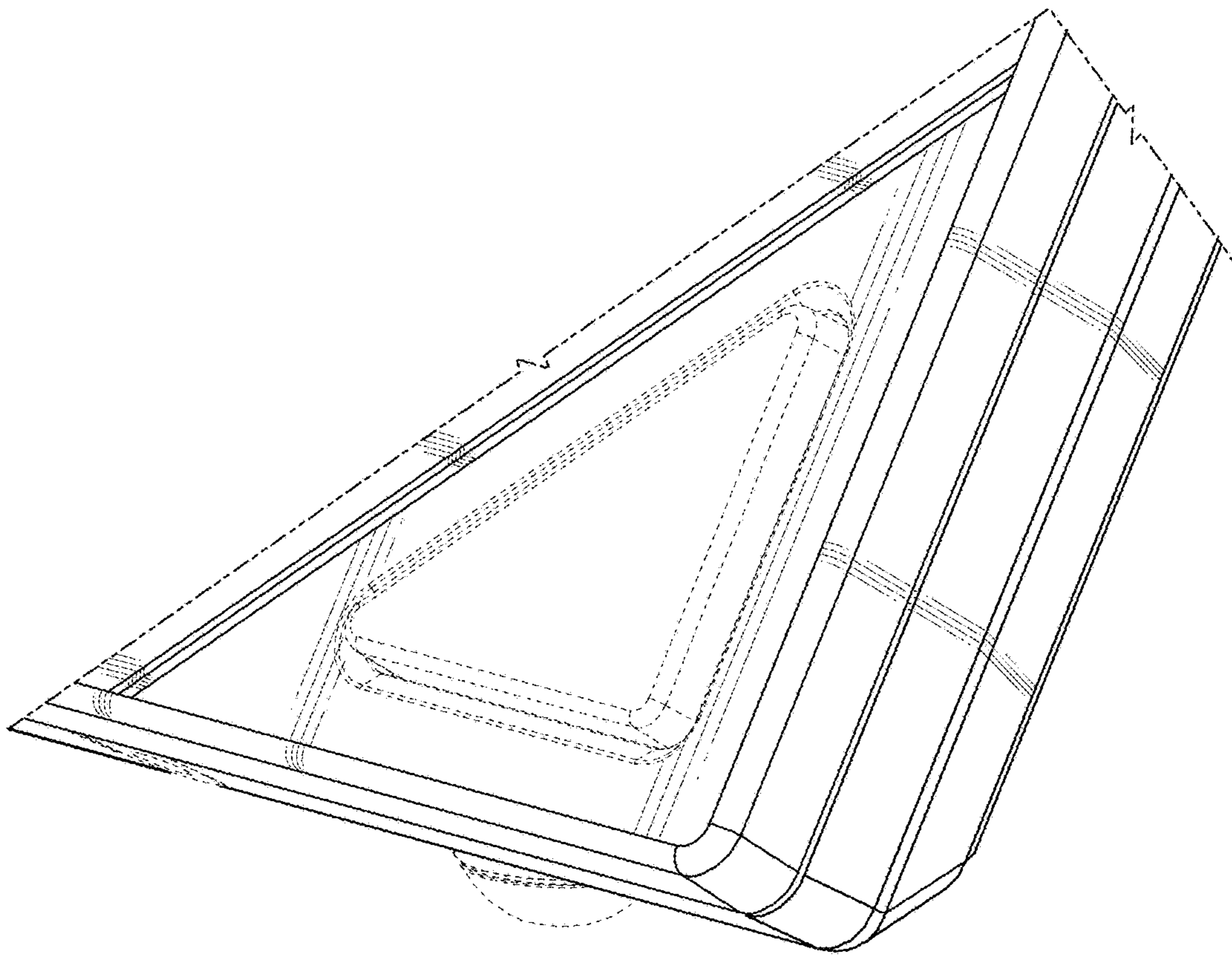


FIG. 27

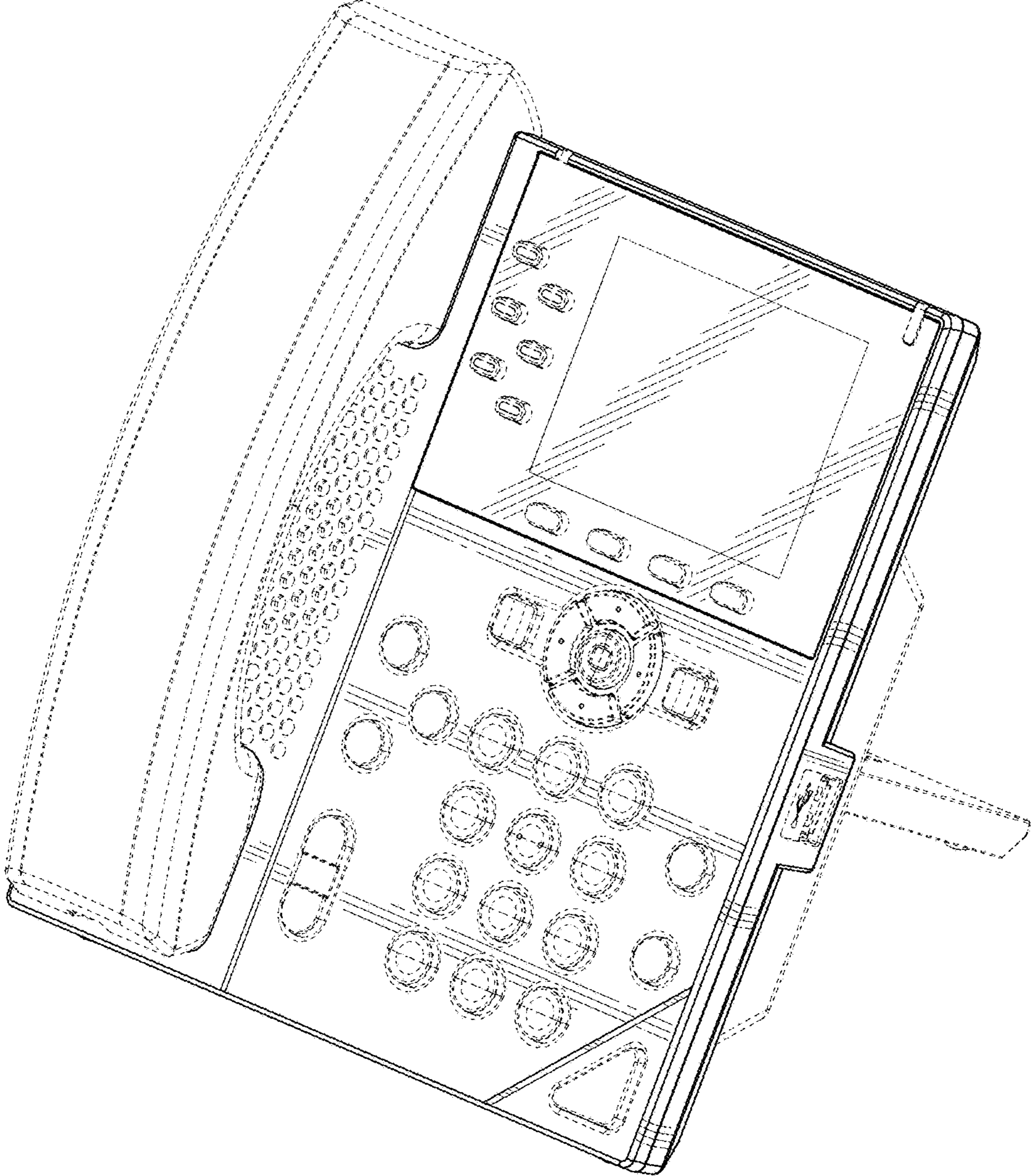


FIG. 28

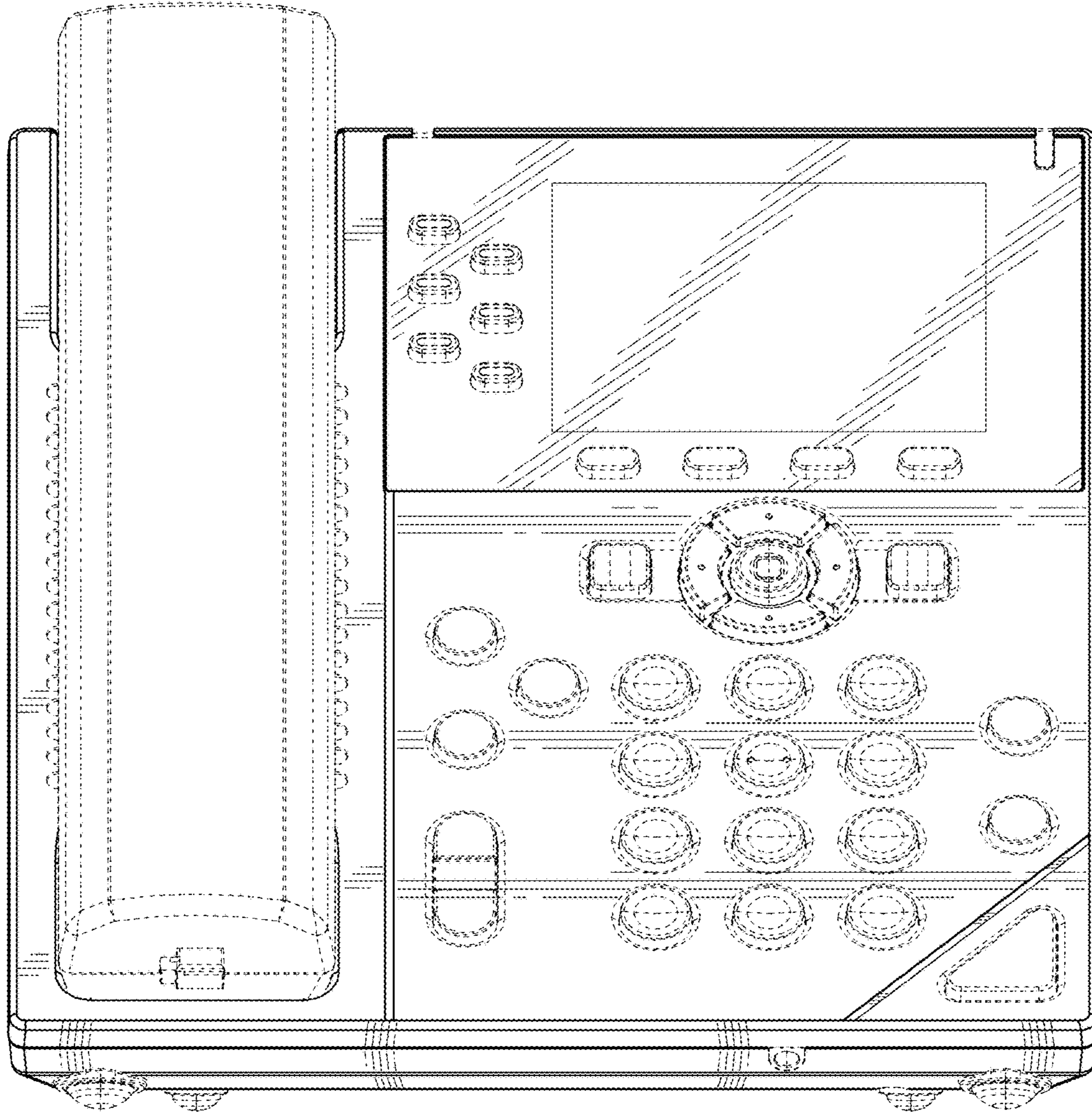


FIG. 29

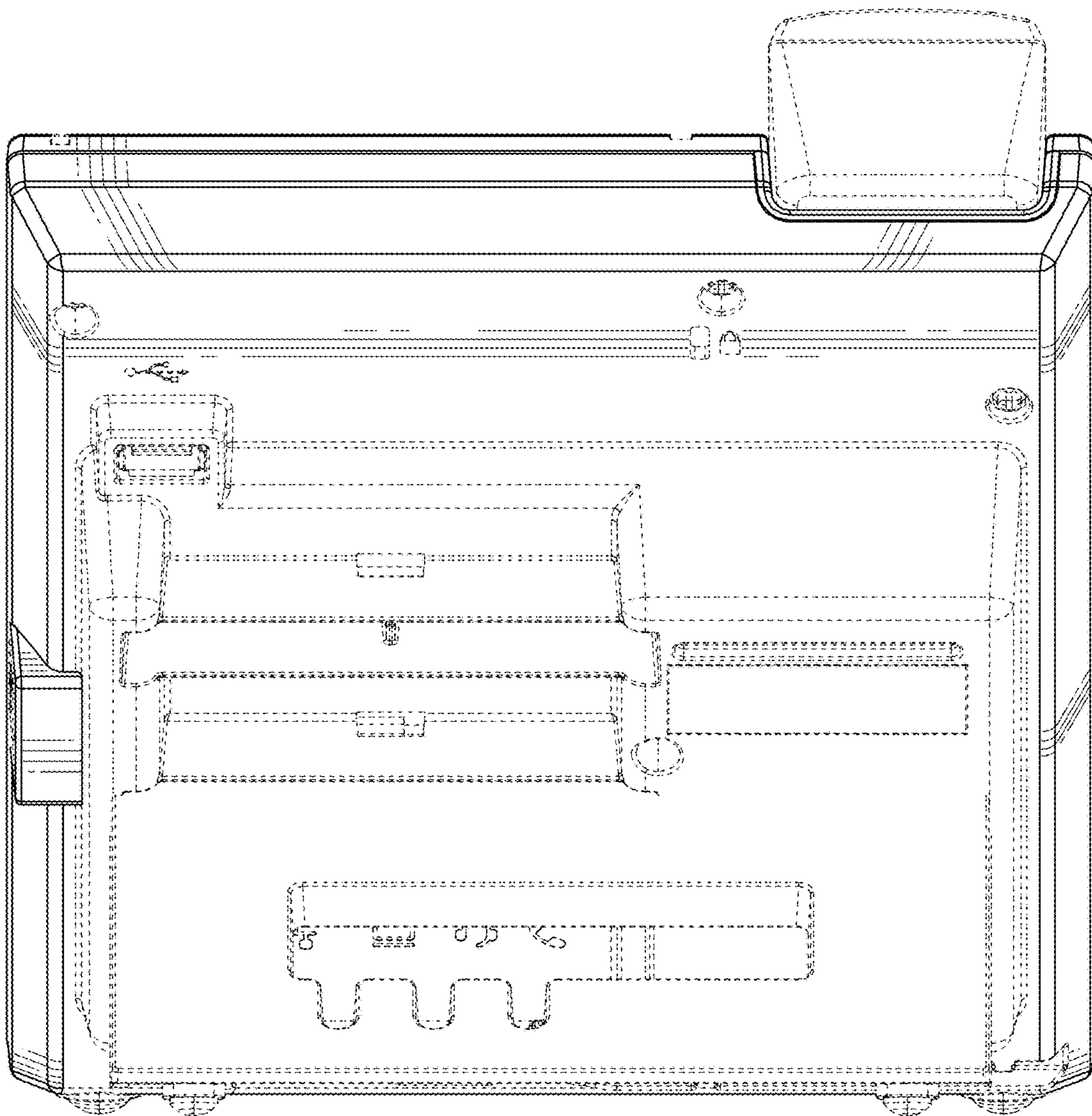


FIG. 30

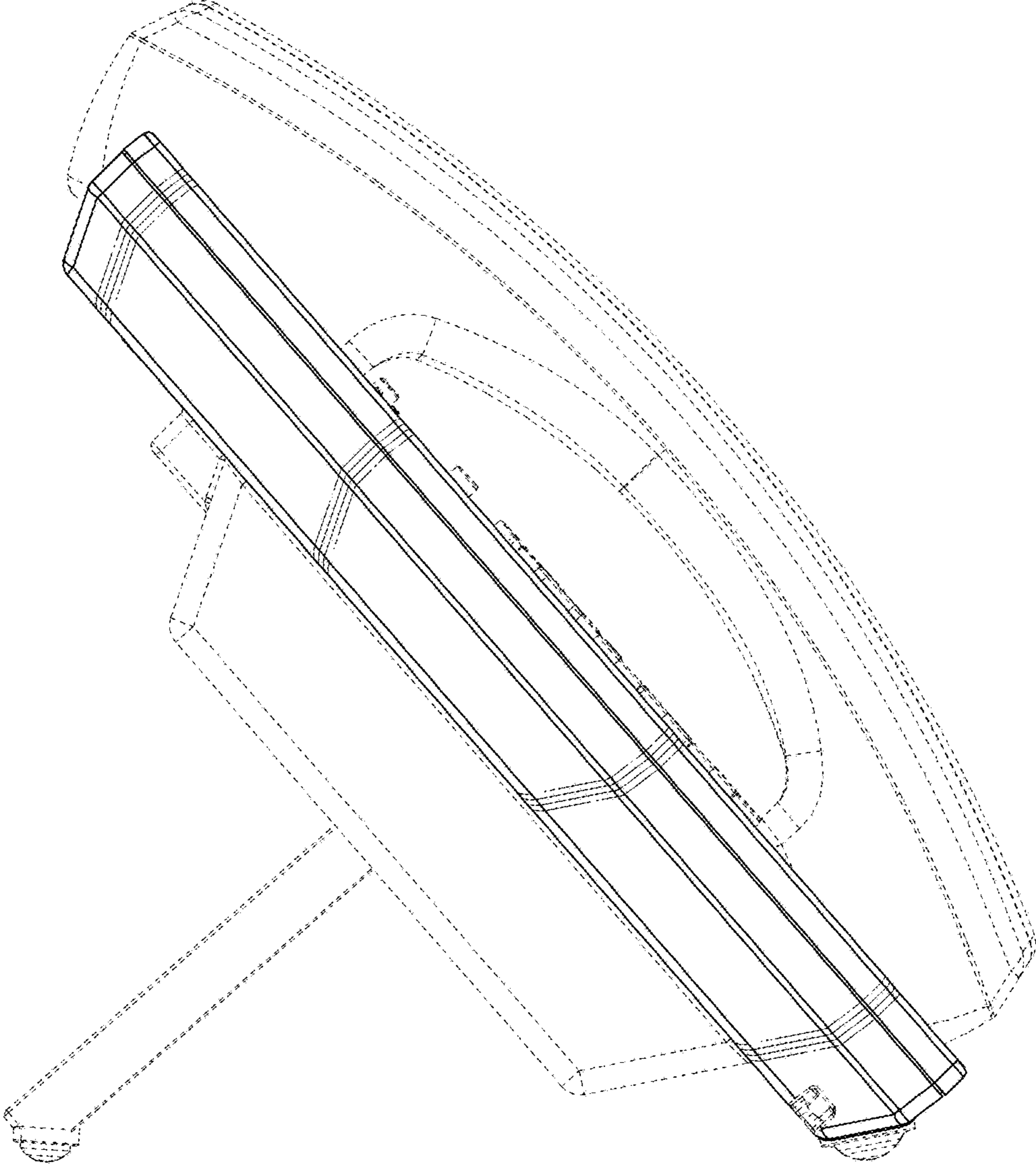


FIG. 31

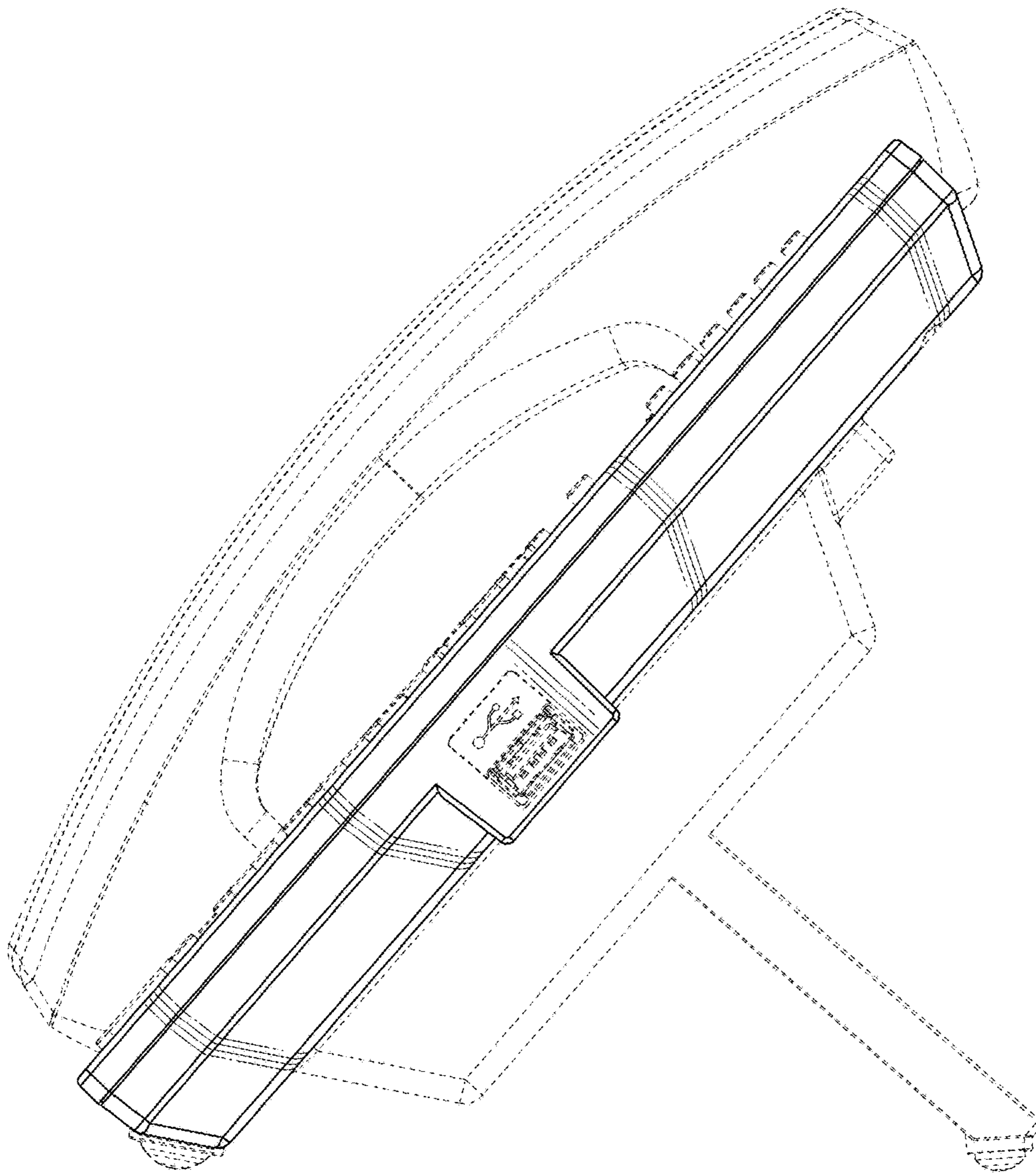


FIG. 32

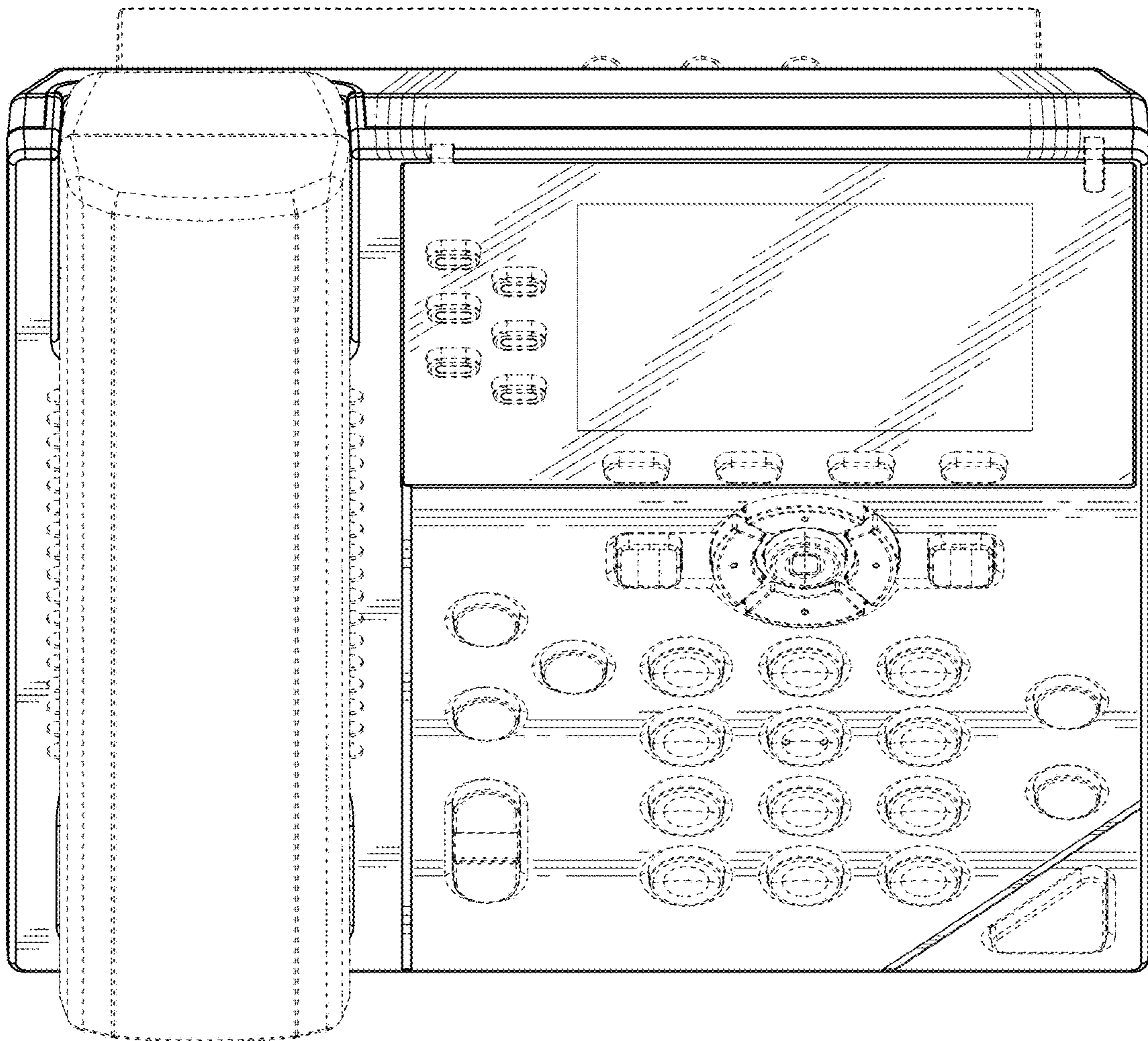


FIG. 33

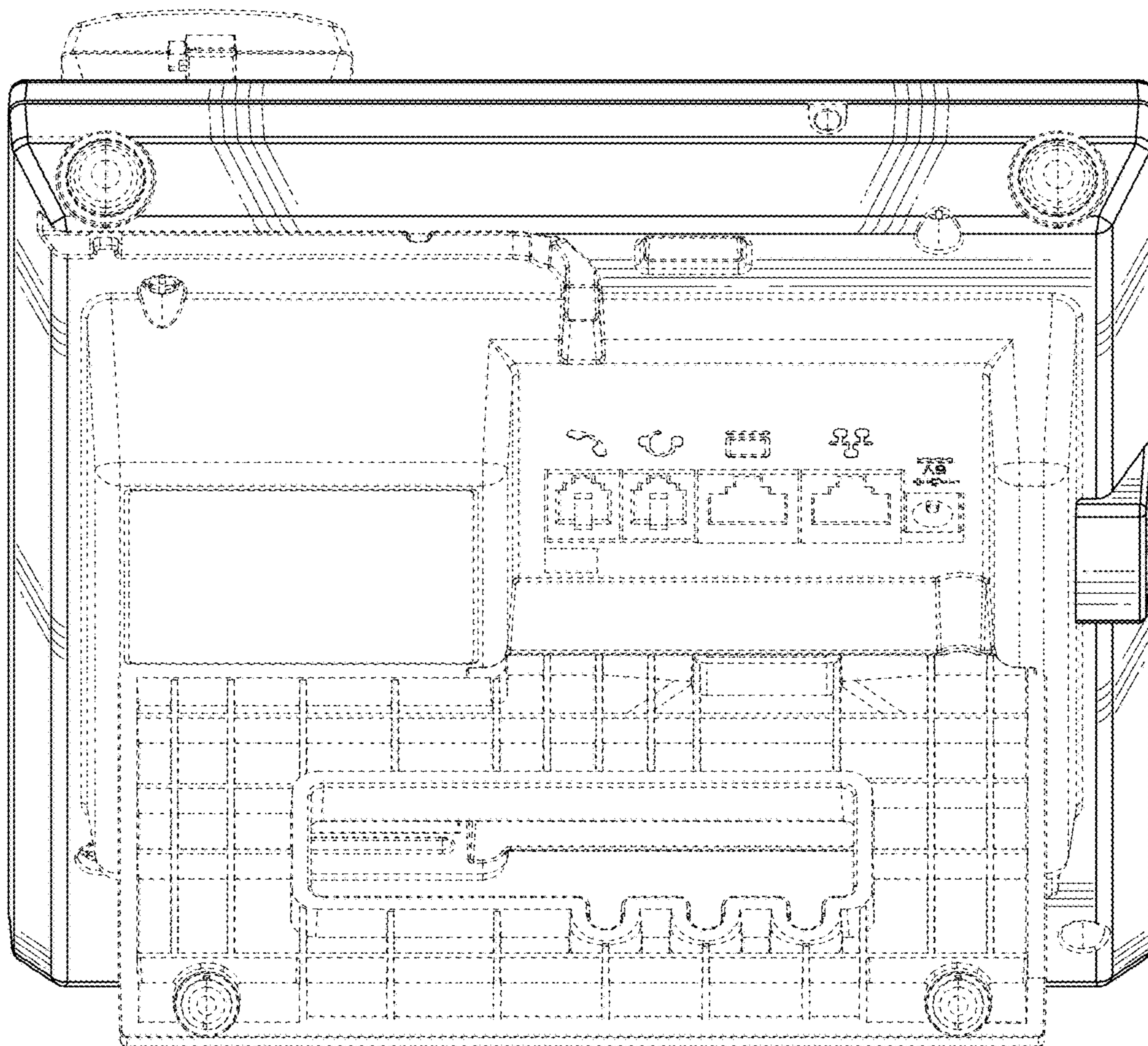


FIG. 34

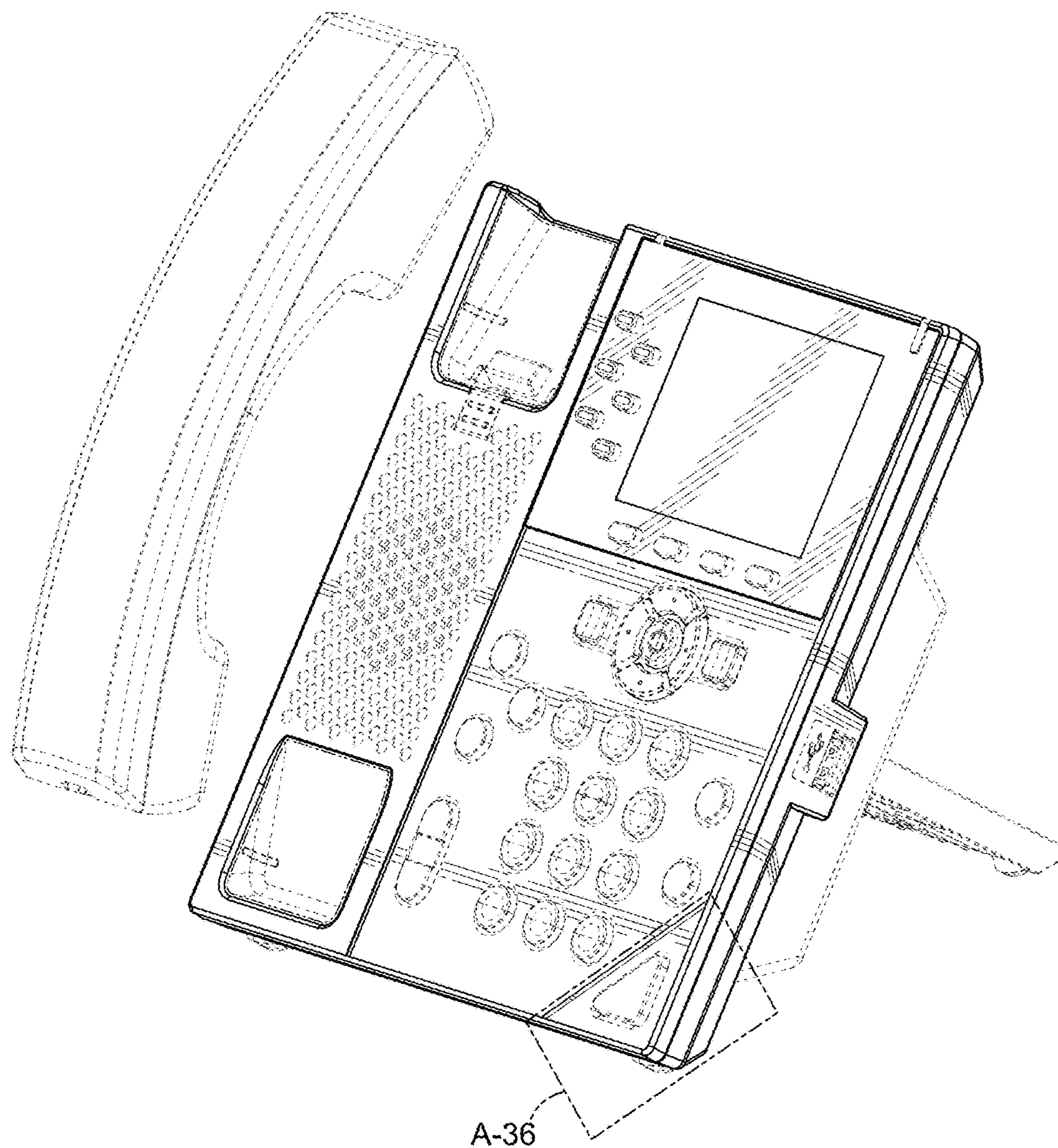


FIG. 35

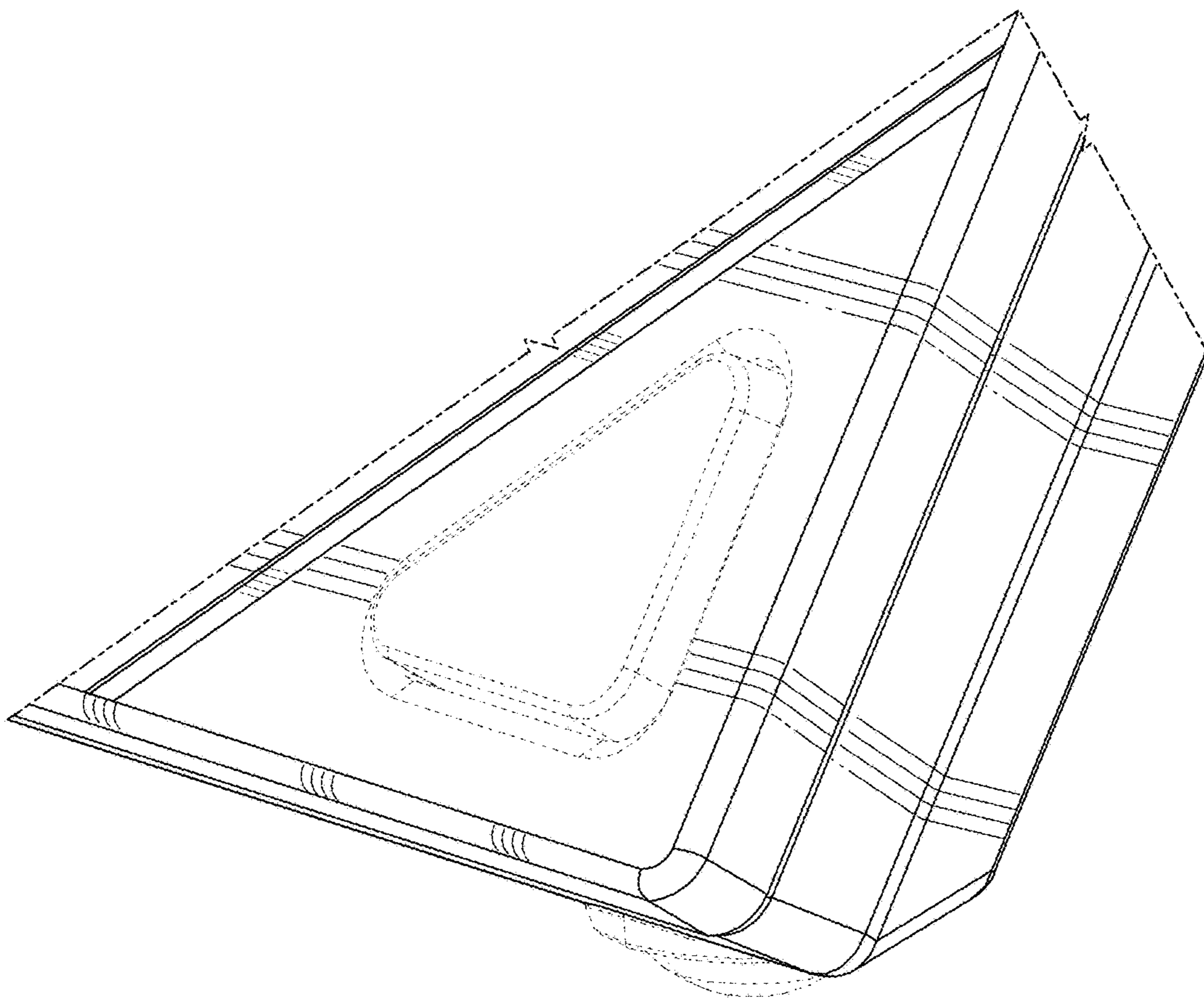


FIG. 36