



US00D851614S

(12) **United States Design Patent**
Ji

(10) **Patent No.:** **US D851,614 S**

(45) **Date of Patent:** **** Jun. 18, 2019**

- (54) **GENERATOR RUNNING COVER**
- (71) Applicant: **Shenzhen Lejian Life Health Management Consulting Co., Ltd.**, Shenzhen (CN)
- (72) Inventor: **Qianwen Ji**, Shenzhen (CN)
- (73) Assignee: **SHENZHEN LEJIAN LIFE HEALTH MANAGEMENT CONSULTING CO., LTD.**, Shenzhen (CN)
- (**) Term: **15 Years**
- (21) Appl. No.: **29/672,778**
- (22) Filed: **Dec. 9, 2018**
- (51) **LOC (11) Cl.** **13-03**
- (52) **U.S. Cl.**
USPC **D13/184**
- (58) **Field of Classification Search**
USPC D13/111, 112, 113, 114, 115, 116, 118, D13/122, 184, 199; 52/3
CPC E04H 15/02; F02B 63/04
See application file for complete search history.

- D662,055 S * 6/2012 Little D13/122
- D731,971 S * 6/2015 Andren D13/114
- D772,185 S * 11/2016 Moninski D13/184
- D785,568 S * 5/2017 Reif D13/122
- D828,312 S * 9/2018 Gunn D13/184
- 2013/0074421 A1 3/2013 Wood et al.

* cited by examiner

Primary Examiner — Janice Hallmark
Assistant Examiner — Harold E Blackwell, II

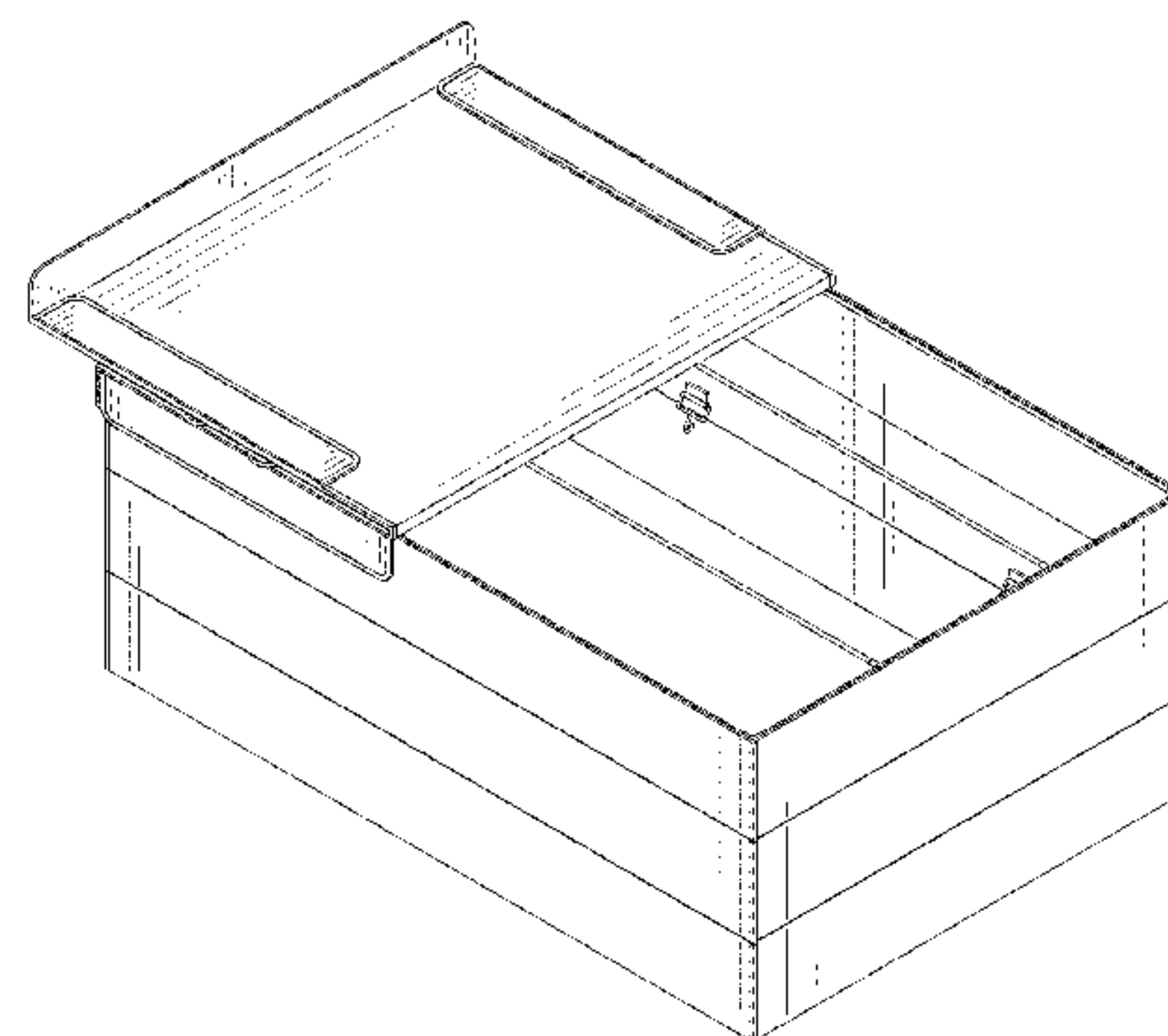
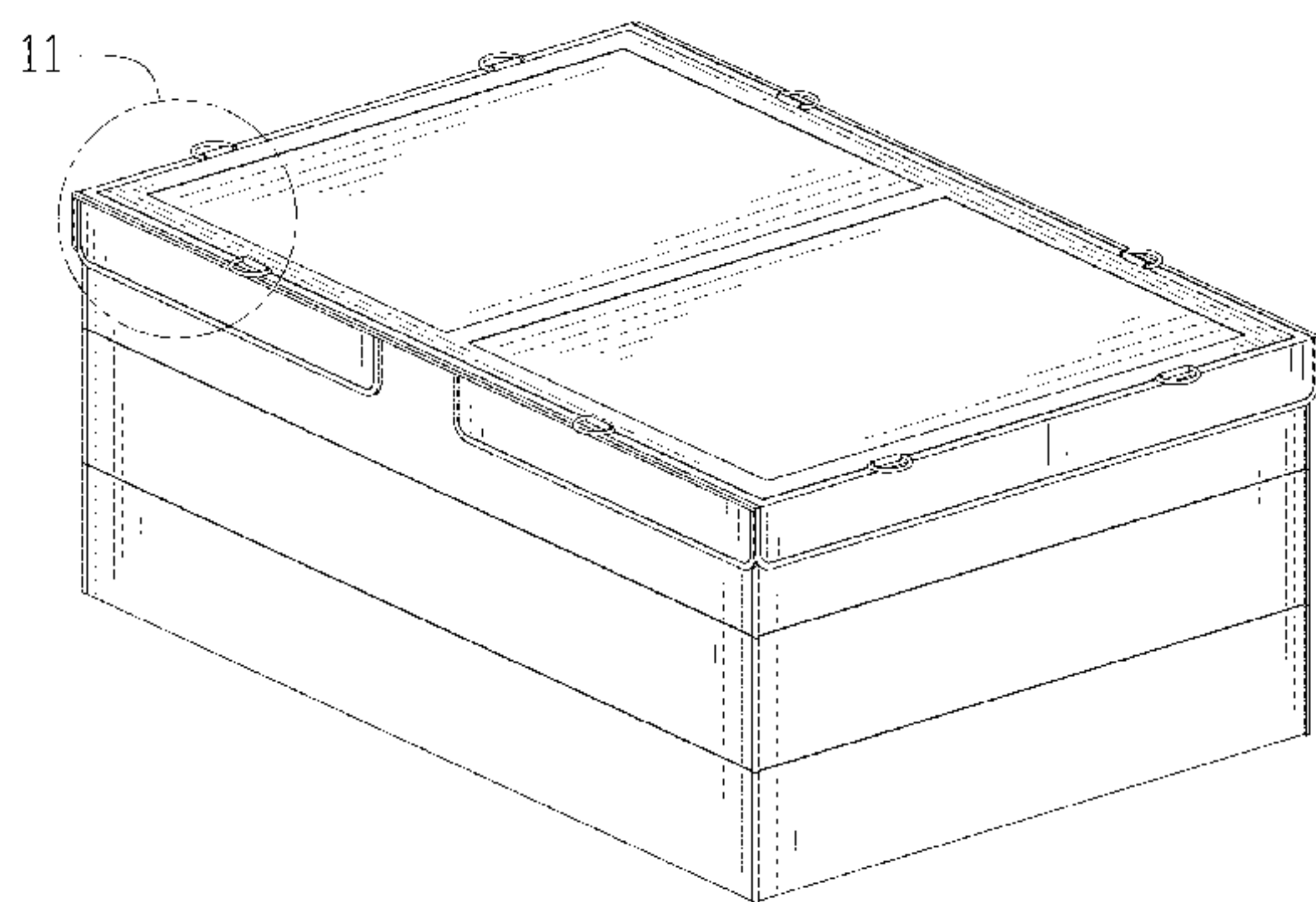
(57) **CLAIM**

The ornamental design for a generator running cover, as shown and described.

DESCRIPTION

FIG. 1 is a perspective view of a generator running cover showing my new design where the generator running cover is in a first configuration of use;
 FIG. 2 is another perspective view shown the generator running cover in the first configuration of use;
 FIG. 3 is a front elevational view thereof;
 FIG. 4 is a rear elevational view thereof;
 FIG. 5 is a left side elevational view thereof;
 FIG. 6 is a right side elevational view thereof;
 FIG. 7 is a top plan view thereof;
 FIG. 8 is a bottom plan view thereof;
 FIG. 9 is a perspective view of the generator running cover shown in a second configuration of use;
 FIG. 10 is a perspective view of the generator running cover shown in a third configuration of use;
 FIG. 11 is an enlarged view of portion 11 shown in FIG. 1; and,
 FIG. 12 is an enlarged view of portion 12 shown in FIG. 2.

1 Claim, 12 Drawing Sheets



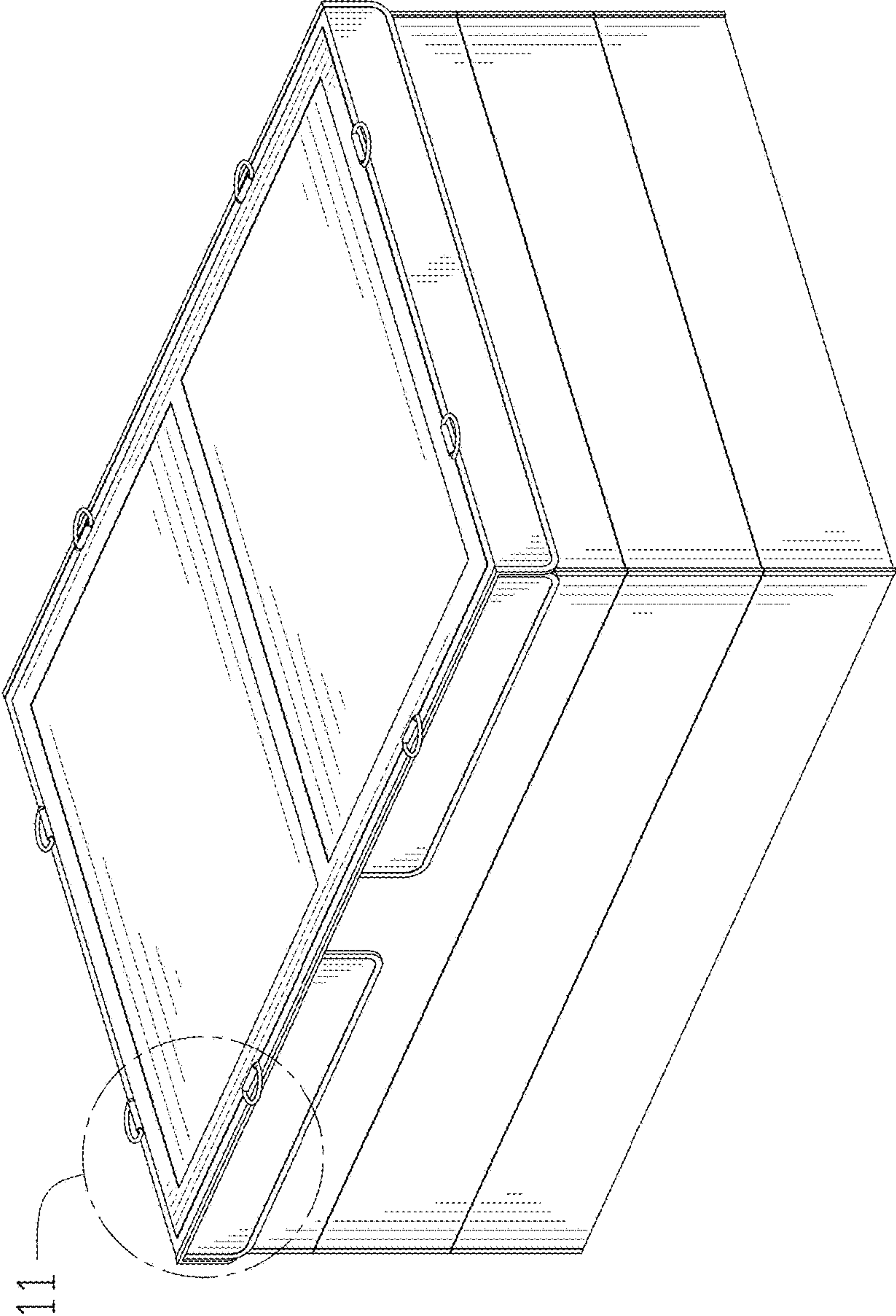


FIG. 1

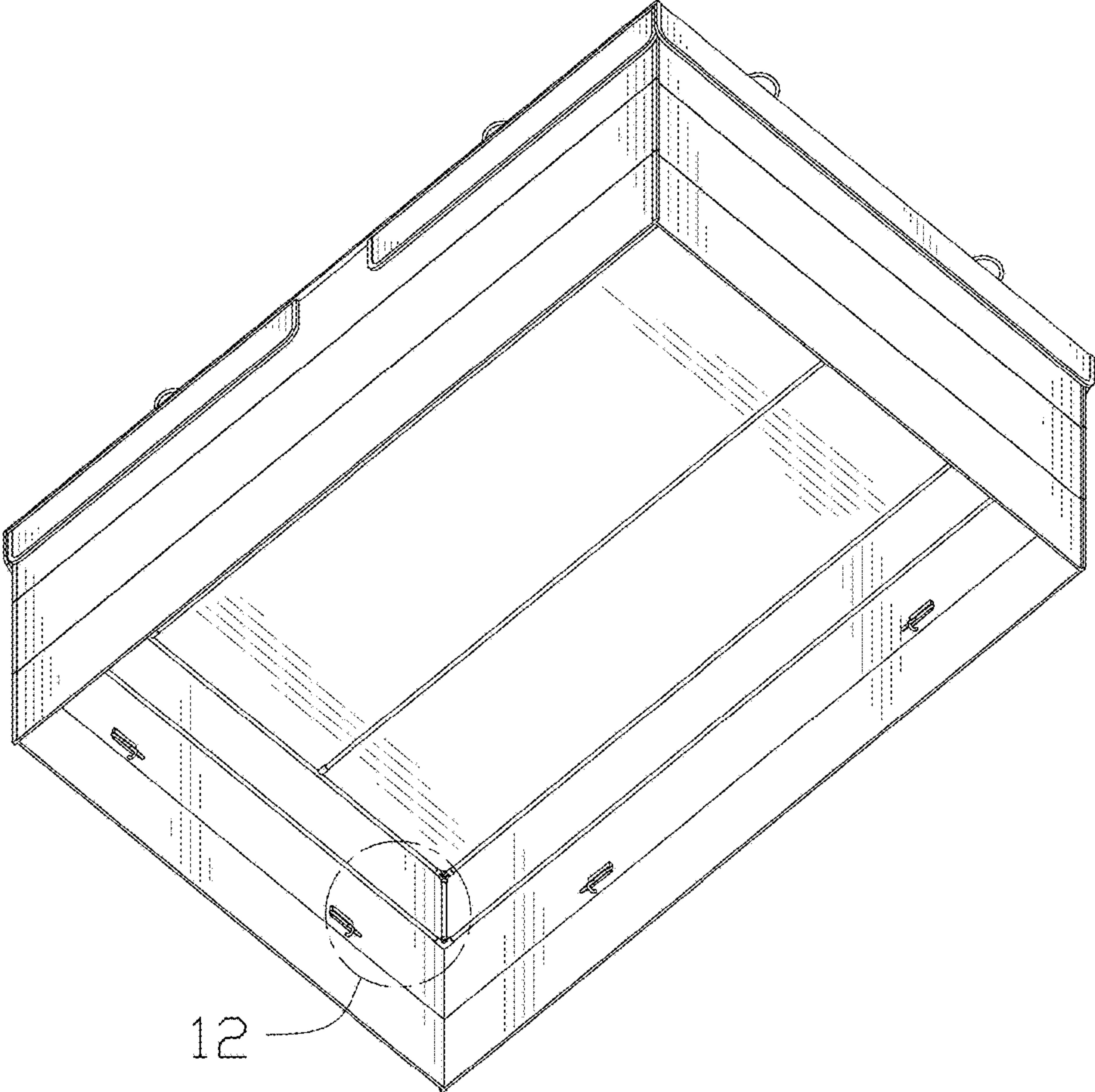


FIG. 2

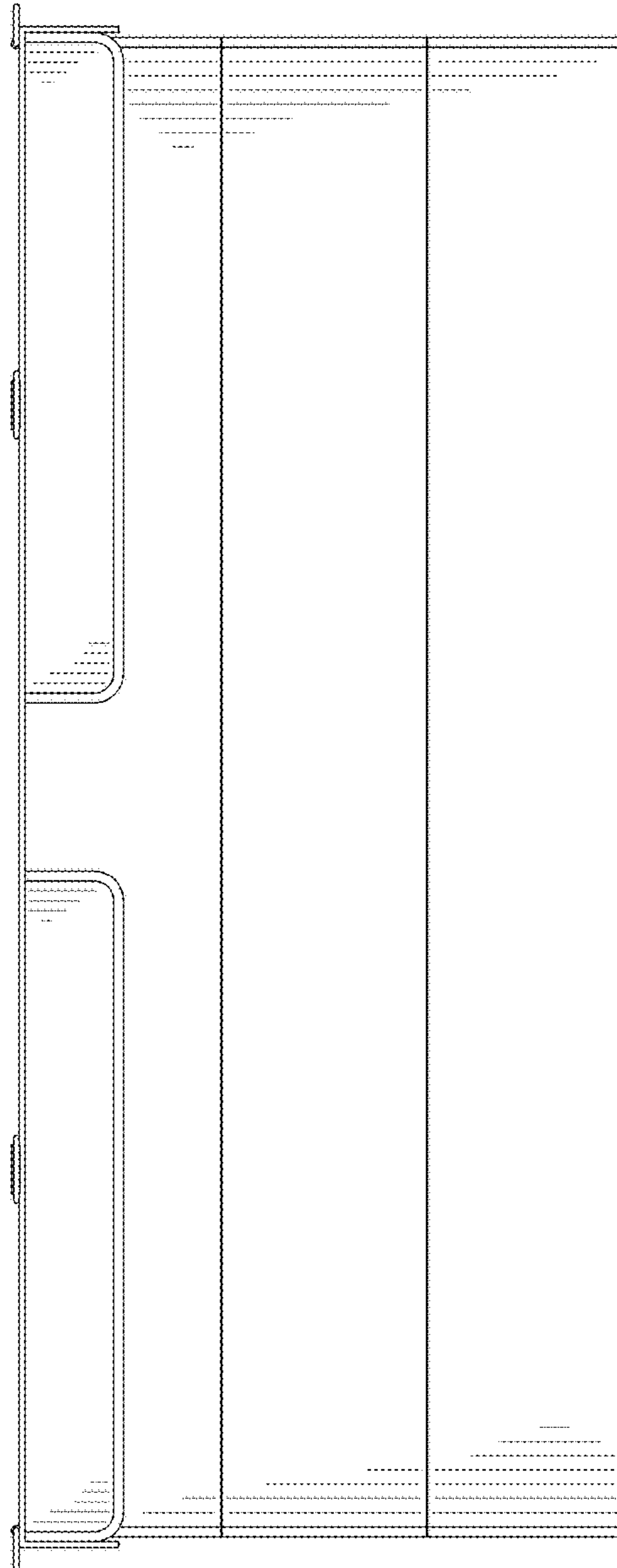


FIG. 3

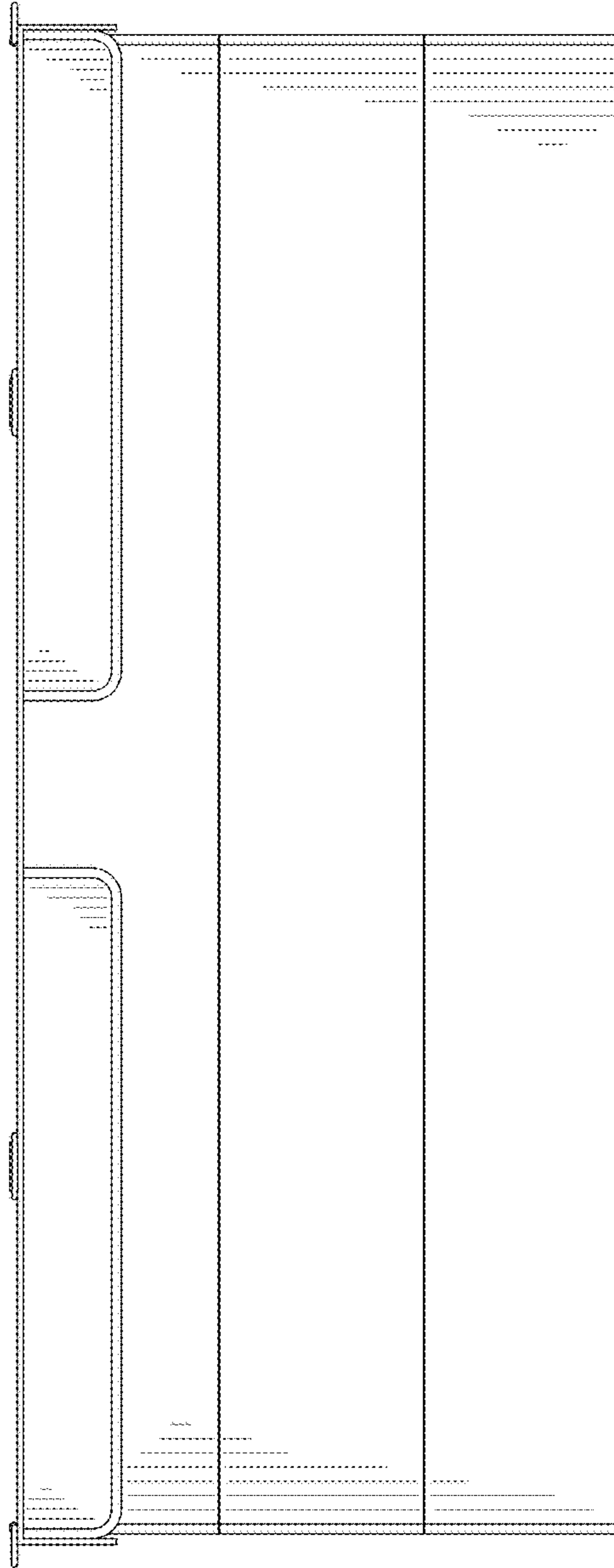


FIG. 4

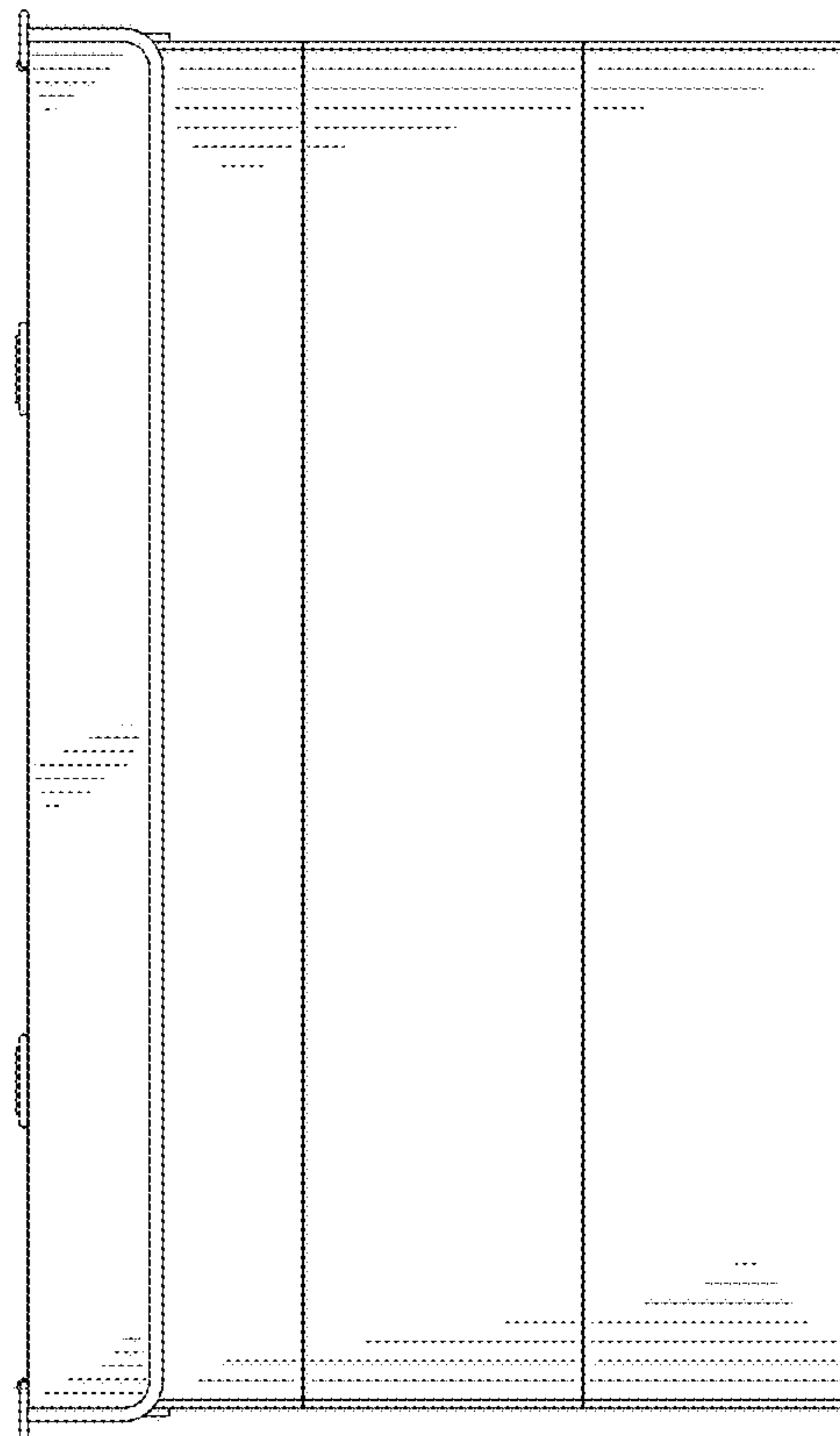


FIG. 5

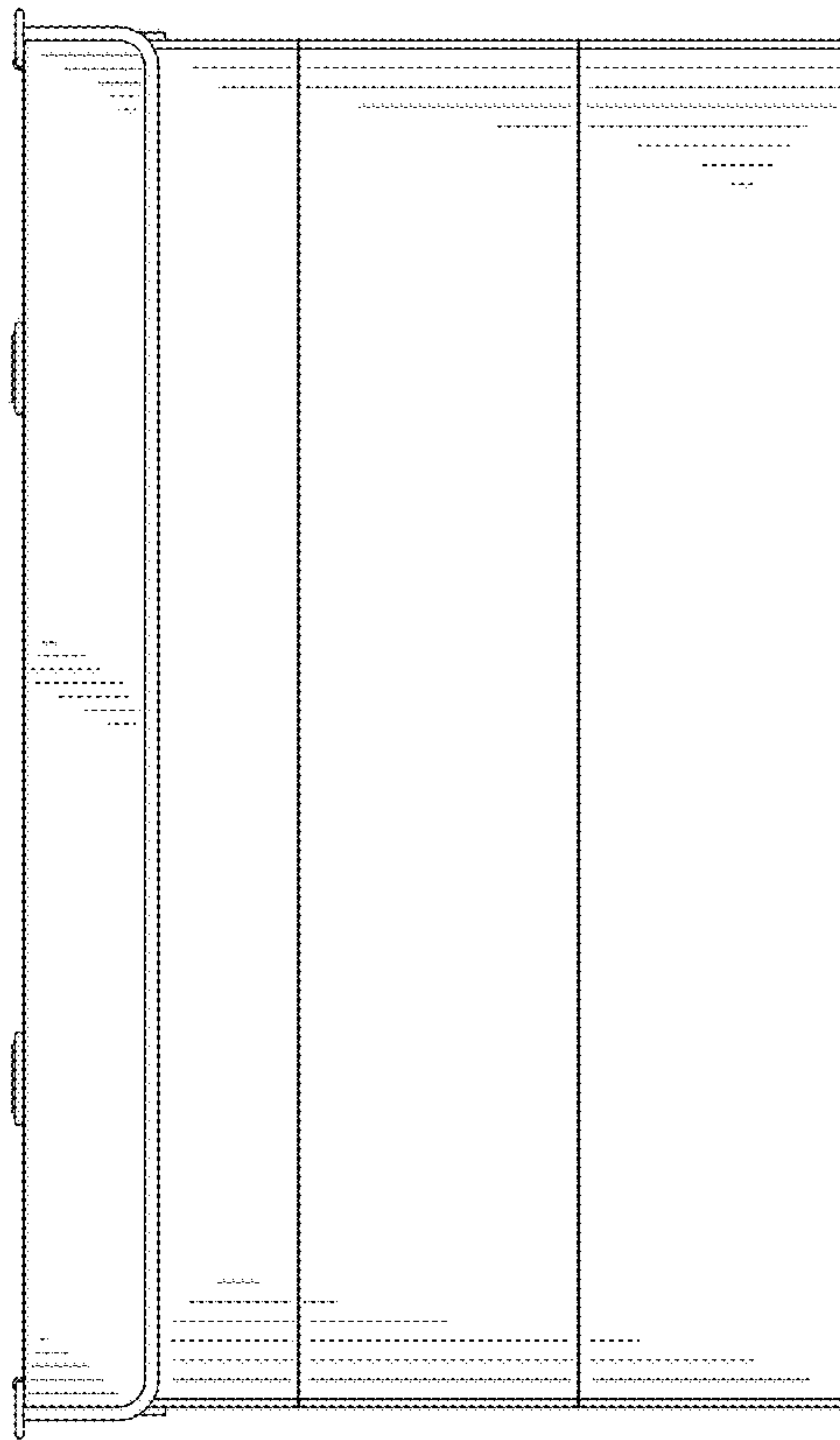


FIG. 6

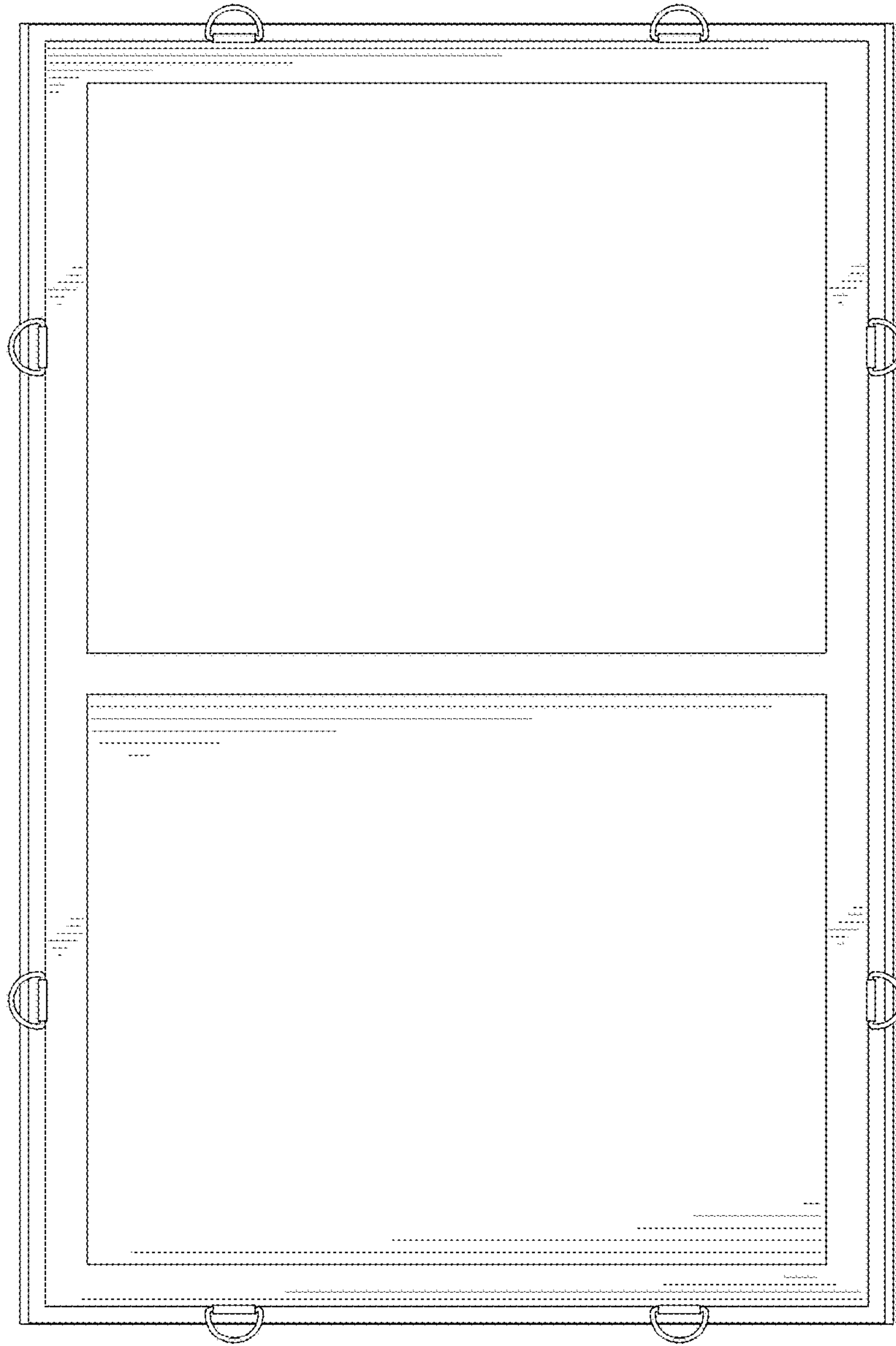


FIG. 7

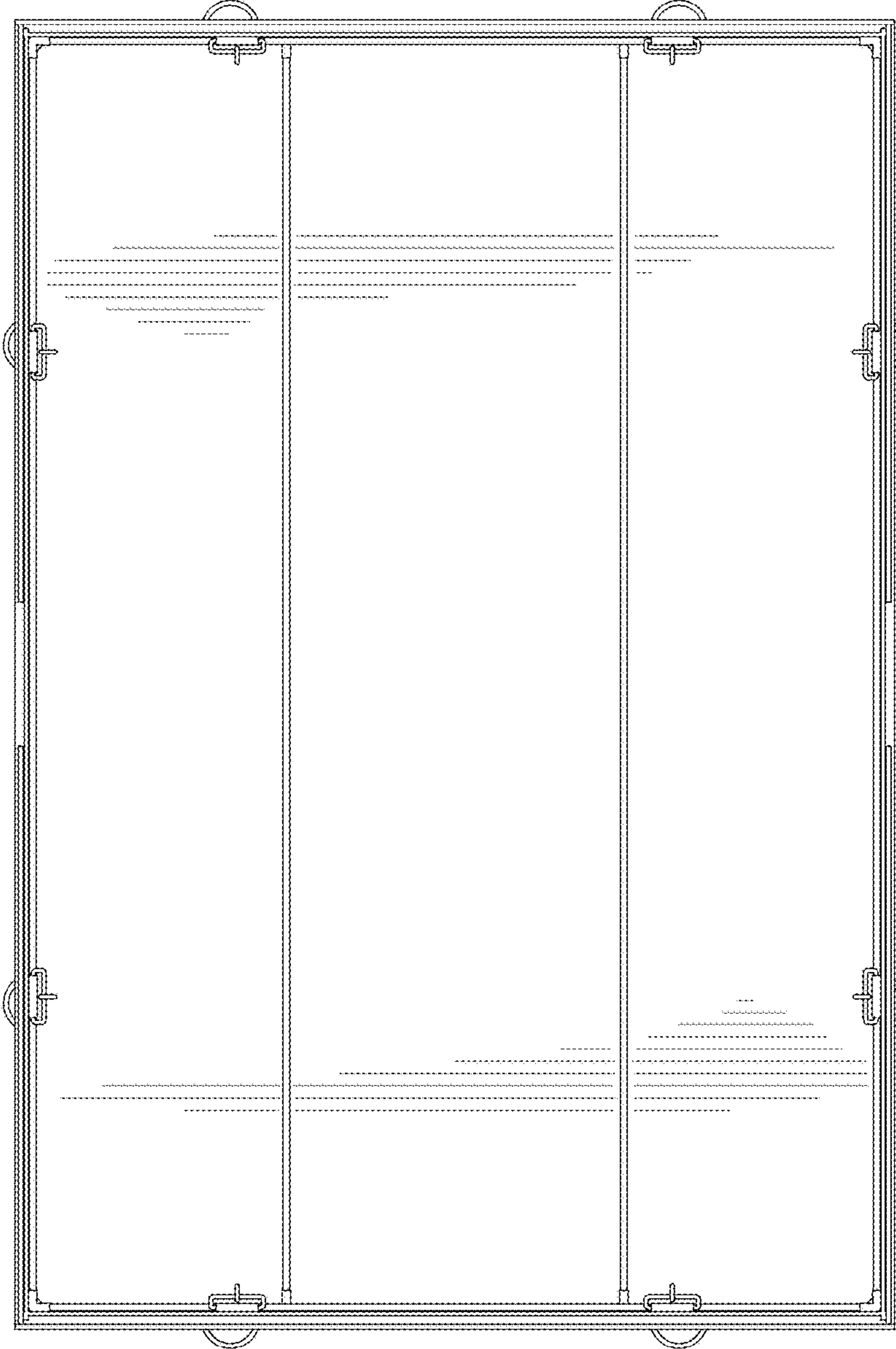


FIG. 8

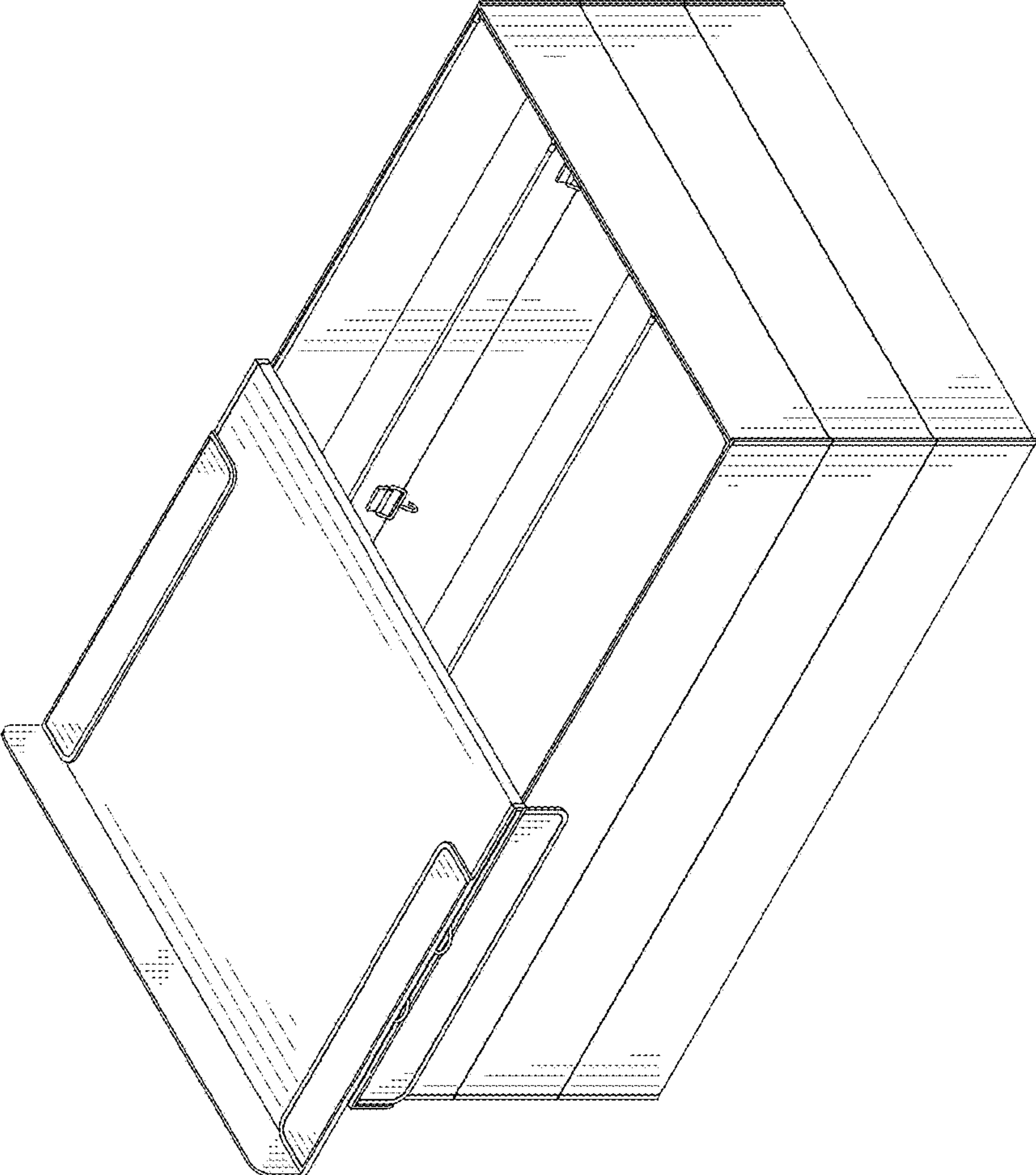


FIG. 9

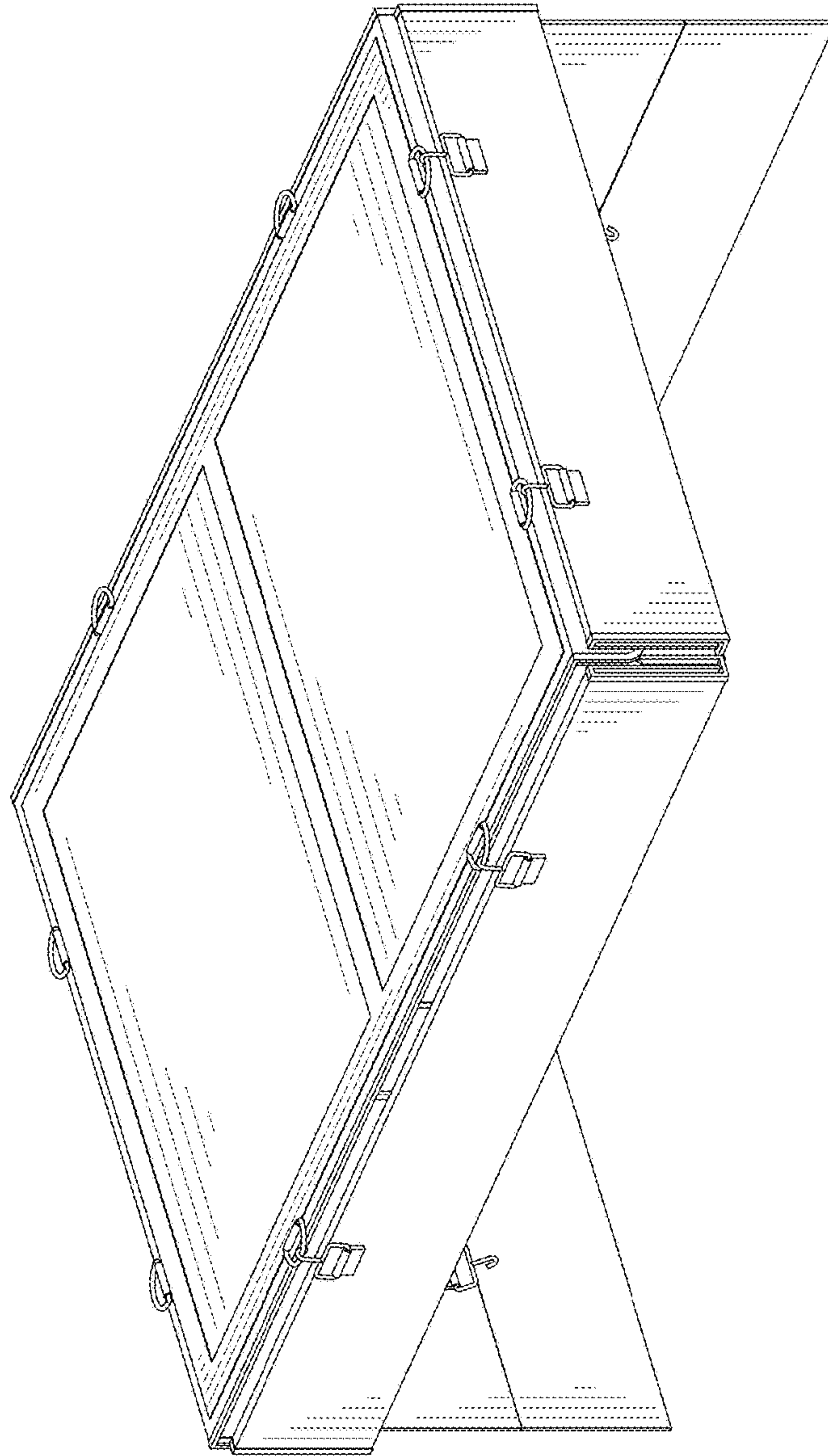


FIG. 10

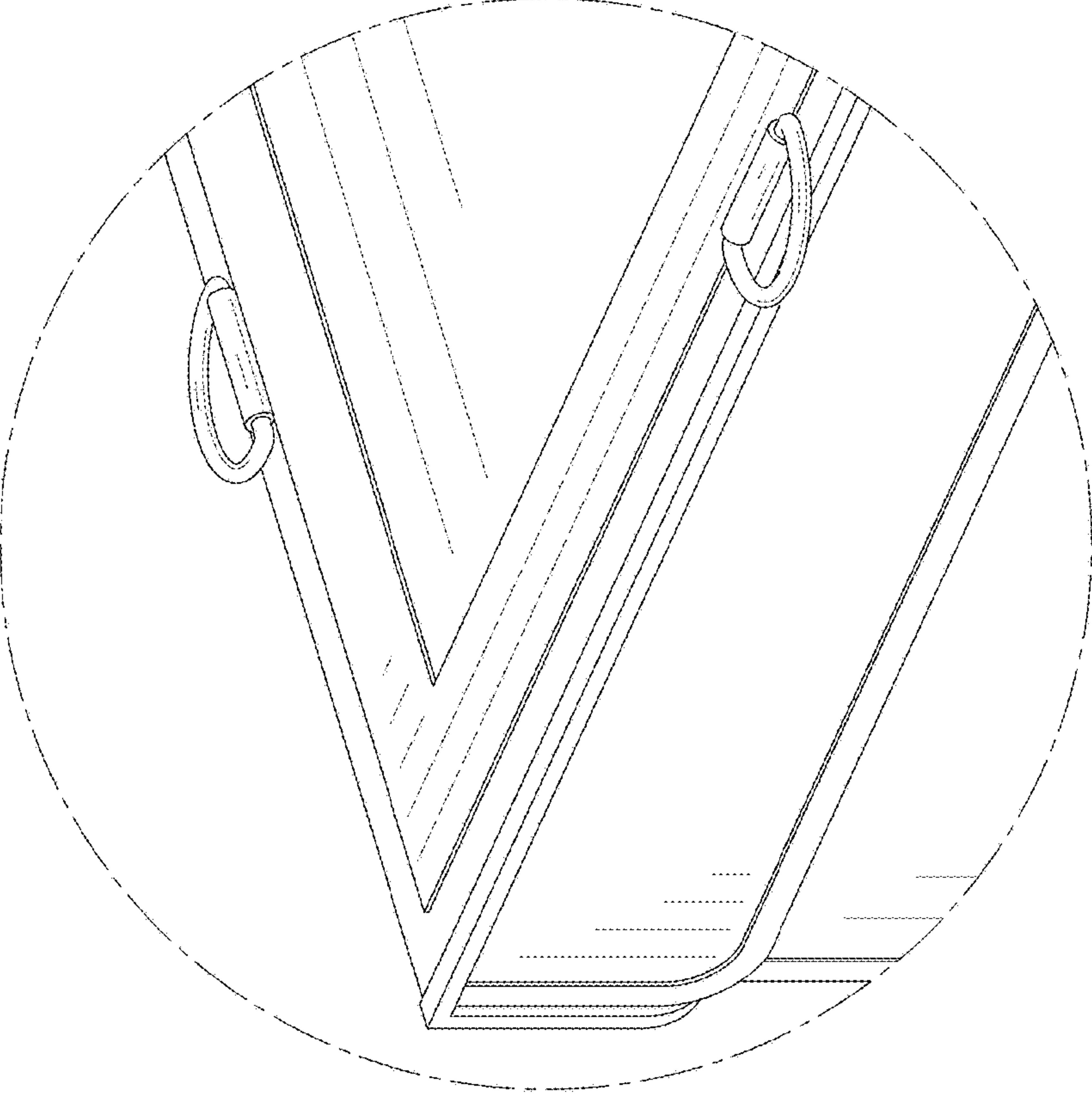


FIG. 11

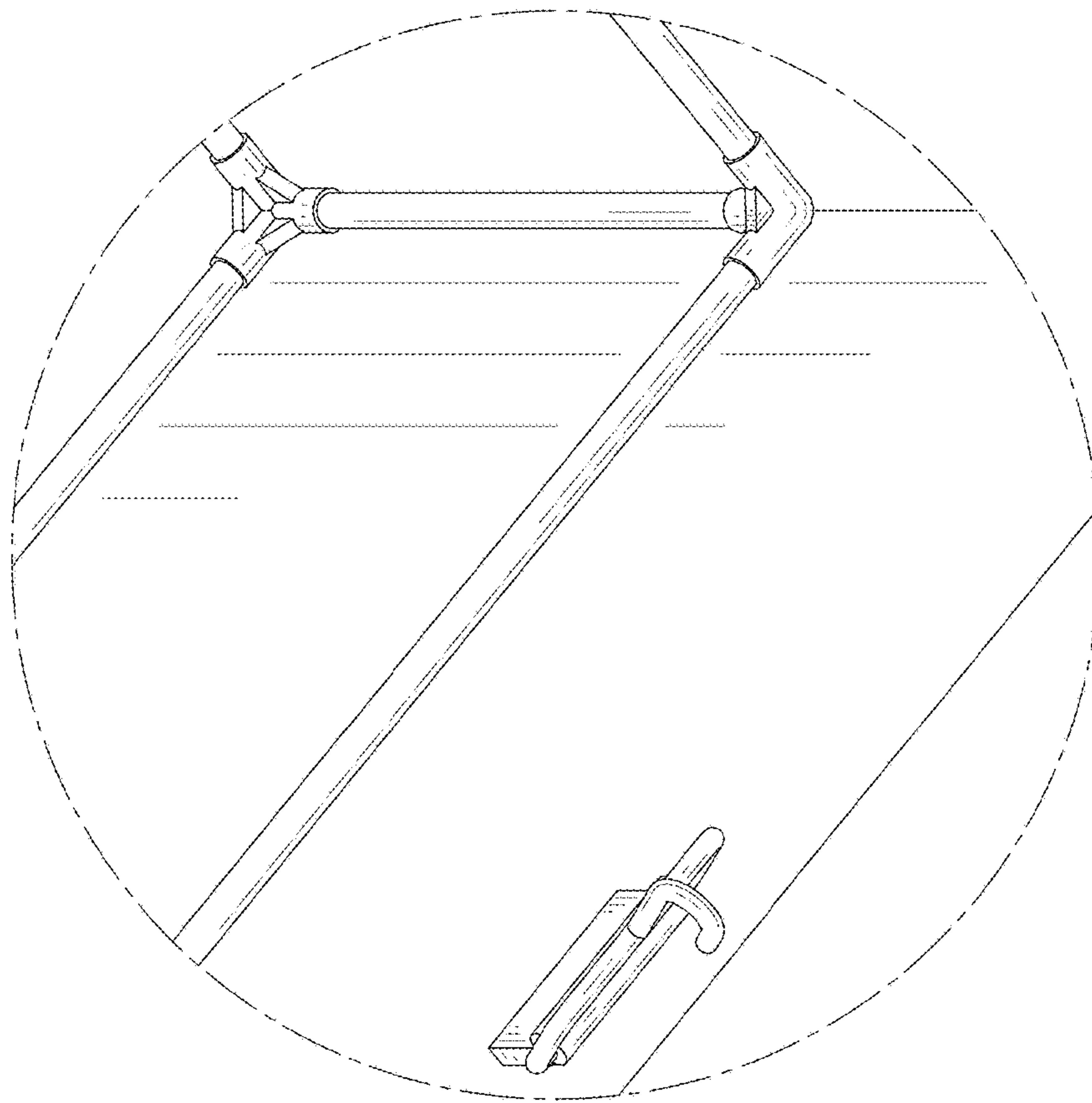


FIG. 12