



US00D851612S

(12) **United States Design Patent**
Wang et al.

(10) **Patent No.:** **US D851,612 S**
(45) **Date of Patent:** **** Jun. 18, 2019**

(54) **ELECTRICAL MODULE**

6/4256; G02B 6/4257; G02B 6/4261;
G02B 6/4262; G02B 6/428; G02B
6/4281; H05K

(71) Applicants: **Microduino Inc.**, Westlake Village, CA
(US); **Meike Technology (Beijing)**
Ltd., Beijing (CN)

(Continued)

(72) Inventors: **Zhenshan Wang**, Westlake Village, CA
(US); **Jian Hu**, Westlake Village, CA
(US); **Kejia Pan**, Westlake Village, CA
(US); **Xi Li**, Westlake Village, CA
(US); **Bin Feng**, Westlake Village, CA
(US)

(56)

References Cited

U.S. PATENT DOCUMENTS

3,290,559 A * 12/1966 Kirby H05K 7/023
174/88 R
3,579,046 A * 5/1971 Jordan H05K 5/00
174/535

(Continued)

Primary Examiner — Elizabeth J Oswecki

(74) *Attorney, Agent, or Firm* — Anova Law Group,
PLLC

(73) Assignees: **MICRODUINO INC.**, Westlake
Village, CA (US); **MEIKE**
TECHNOLOGY (BEIJING) LTD.,
Beijing (CN)

(**) Term: **15 Years**

(57)

CLAIM

(21) Appl. No.: **29/609,485**

The ornamental design for an electrical module, as shown
and described.

(22) Filed: **Jun. 30, 2017**

(51) **LOC (11) Cl.** **13-03**

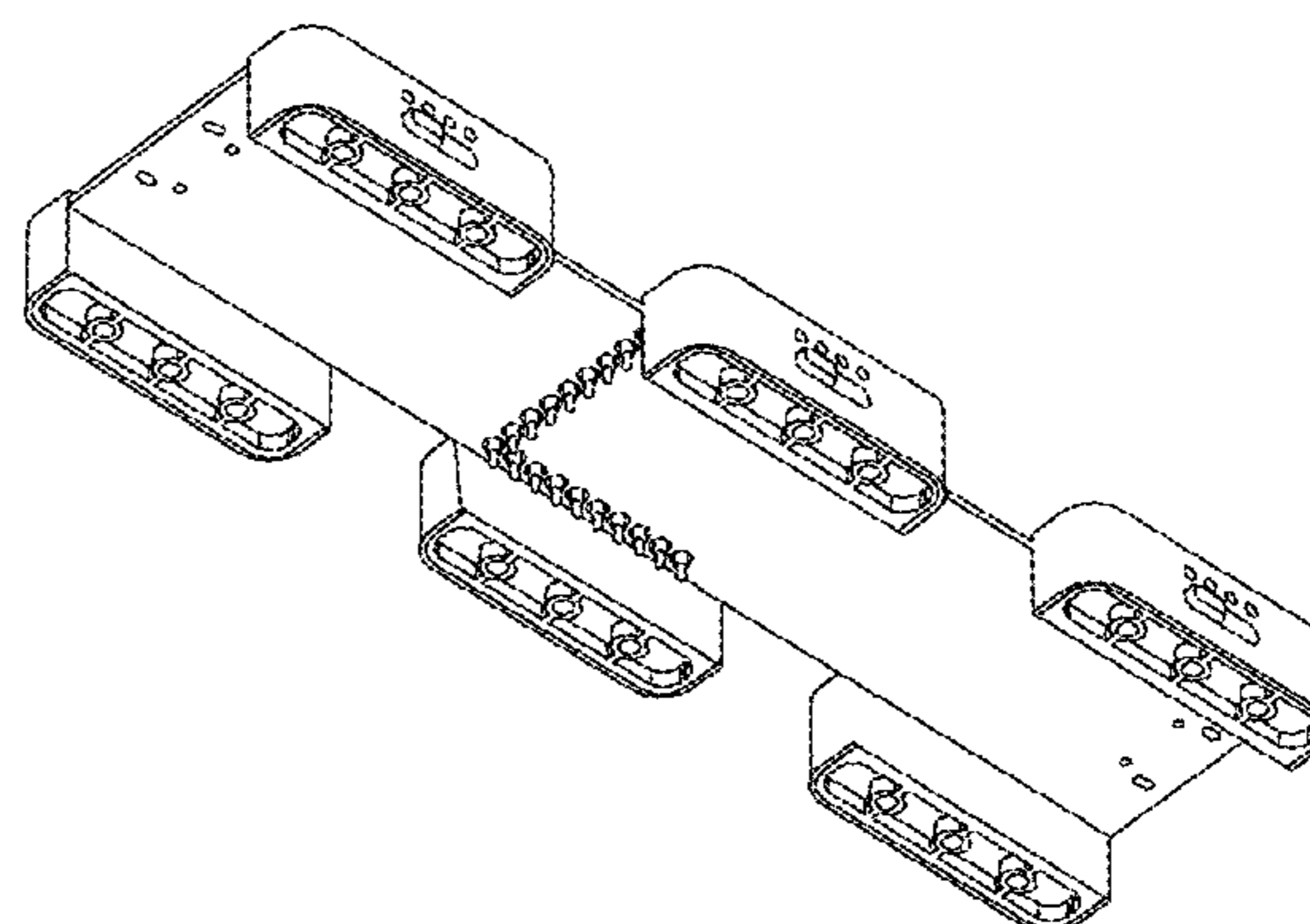
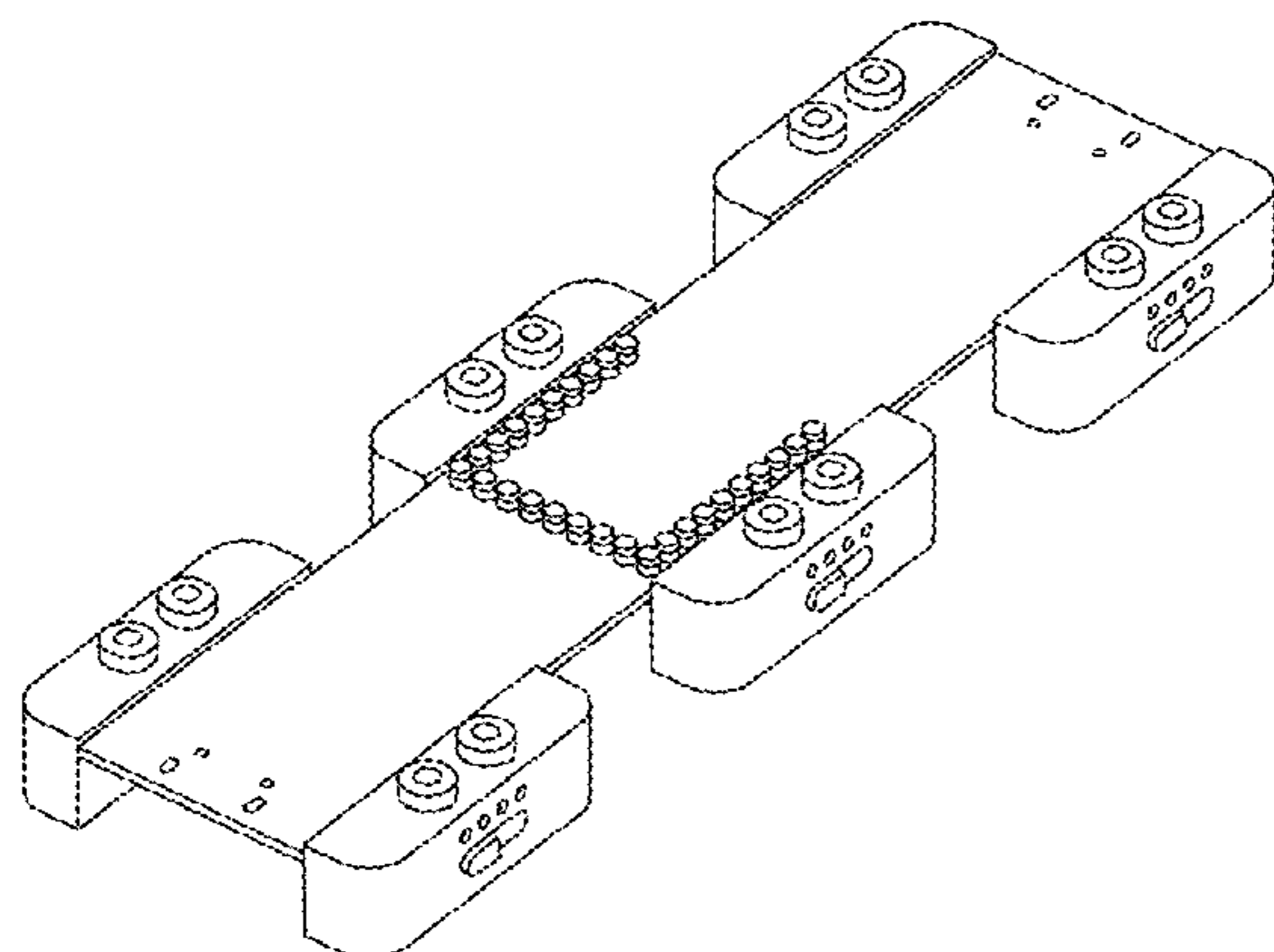
(52) **U.S. Cl.**
USPC **D13/182**

DESCRIPTION

(58) **Field of Classification Search**
USPC D13/182; 257/678, 684, 690, 691;
361/679.01, 713, 728, 736, 760, 761, 772,
361/775, 783, 820; 174/250, 253;
438/15, 25, 26, 51, 55, 63, 64, 106
CPC . H01L 21/00; H01L 2224/42; H01L 2224/43;
H01L 2021/00; H01L 2021/02; H01L
2021/04; H01L 21/4814; H01L 21/4846;
H01L 21/4871; H01L 21/67144; H01L
23/02; H01L 23/13; H01L 23/14; H01L
23/147; H01L 2924/171; H01L
2924/1711; H01L 2924/1715; H01L
2924/17151; H01L 2924/181; H01L
2924/1811; H01L 2924/1815; H01L
2924/19042; H01L 2924/1905; H01L
2224/08054; H01L 23/58; H05B 41/14;
H02B 6/4201; G02B 6/4201; G02B

FIG. 1 is a front perspective view of an electrical module
shown the new design;
FIG. 2 is a front view thereof;
FIG. 3 is a back view thereof;
FIG. 4 is a left side view thereof;
FIG. 5 is a right side view thereof;
FIG. 6 is a top view thereof;
FIG. 7 is a bottom view thereof;
FIG. 8 is a back perspective view thereof;
FIG. 9 is front perspective view thereof, shown in a used
condition connecting a first electrical module on the top
surface and a second electrical module on the right side
shown in broken lines; and,
FIG. 10 is front perspective view thereof, shown in a used
condition, connecting multiple standard Lego® blocks
shown in broken lines.

(Continued)



The broken lines shown in the drawings represent portions of the electrical module, that form no part of the claimed design.

1 Claim, 9 Drawing Sheets

(58) Field of Classification Search

CPC 1/14; H05K 1/141; H05K 1/142; H05K 1/144; H05K 1/18; H05K 1/181; H05K 1/182; H05K 1/026

See application file for complete search history.

(56) References Cited

U.S. PATENT DOCUMENTS

3,714,515 A * 1/1973 Lee H02B 1/052
 200/303
 D288,557 S * 3/1987 Du Bois D13/182
 D357,462 S * 4/1995 Terasawa D13/182
 D357,671 S * 4/1995 Terasawa D13/182
 D357,672 S * 4/1995 Terasawa D13/182
 D360,619 S * 7/1995 Terasawa D13/182
 5,786,985 A * 7/1998 Taniguchi H01L 23/4951
 174/521

D476,959 S * 7/2003 Yamada D13/182
 D587,662 S * 3/2009 Soutome D13/182
 D589,012 S * 3/2009 Soyano D13/182
 D648,290 S * 11/2011 Mori D13/182
 D653,633 S * 2/2012 Soyano D13/182
 D686,174 S * 7/2013 Soyano D13/182
 D704,670 S * 5/2014 Chen D13/182
 D704,671 S * 5/2014 Chen D13/182
 D710,317 S * 8/2014 Chen D13/182
 D710,318 S * 8/2014 Chen D13/182
 D710,319 S * 8/2014 Chen D13/182
 D748,595 S * 2/2016 Bertalan D13/182
 D754,084 S * 4/2016 Kawase D13/182
 D762,185 S * 7/2016 Muehlensiep D13/182
 D772,184 S * 11/2016 Soyano D13/182
 D774,479 S * 12/2016 Soyano D13/182
 D775,091 S * 12/2016 Edenharter D13/182
 D775,593 S * 1/2017 Edenharter D13/182
 D776,071 S * 1/2017 Edenharter D13/182
 D785,577 S * 5/2017 Kawase D13/182
 D798,832 S * 10/2017 Hayashida D13/182
 D799,439 S * 10/2017 Hayashiguchi D13/182
 D805,485 S * 12/2017 Kawase D13/182
 D810,706 S * 2/2018 Soyano D13/182
 D814,431 S * 4/2018 Matsumoto D13/182
 D814,433 S * 4/2018 Soyano D13/182

* cited by examiner

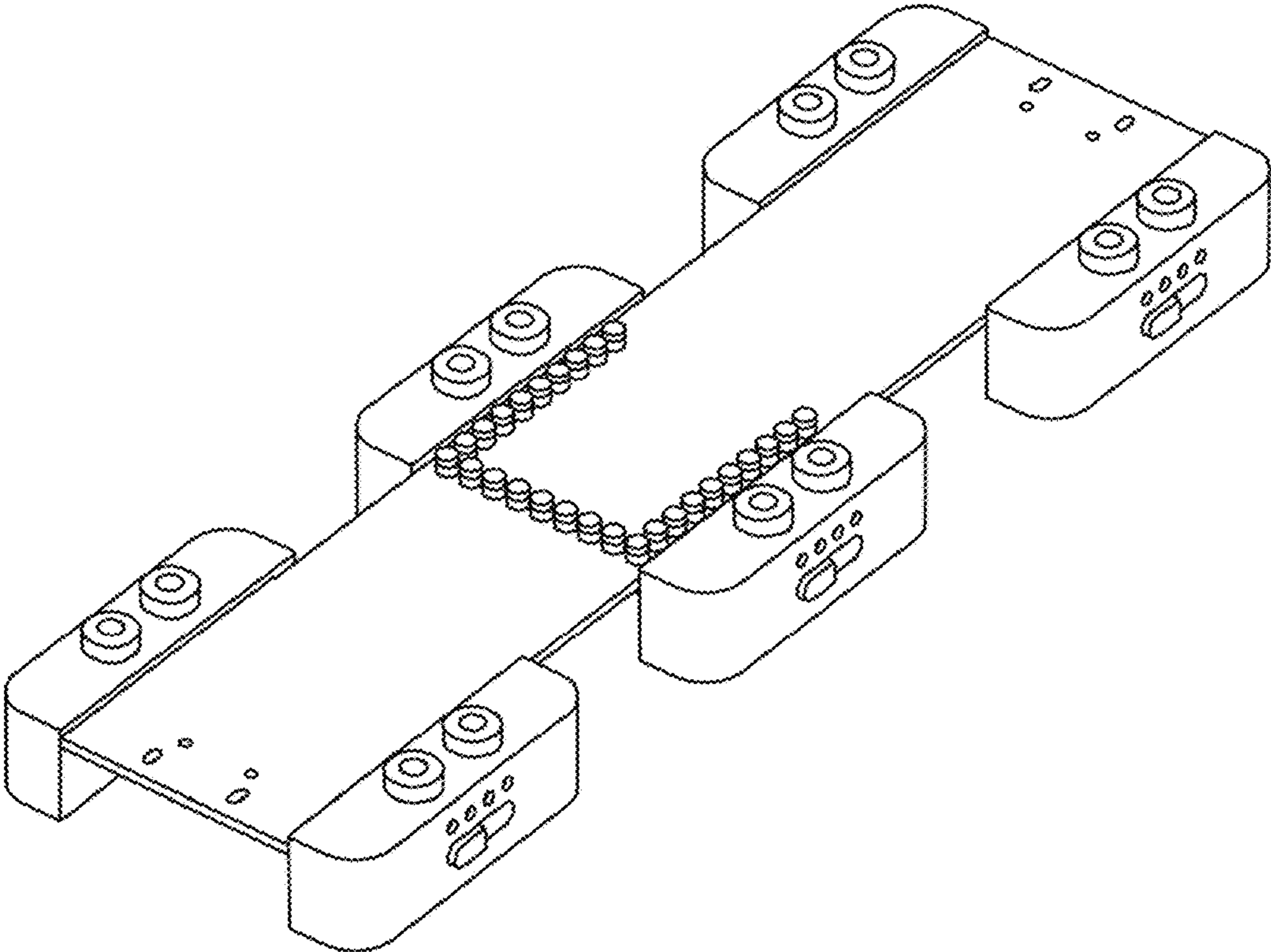


FIG 1

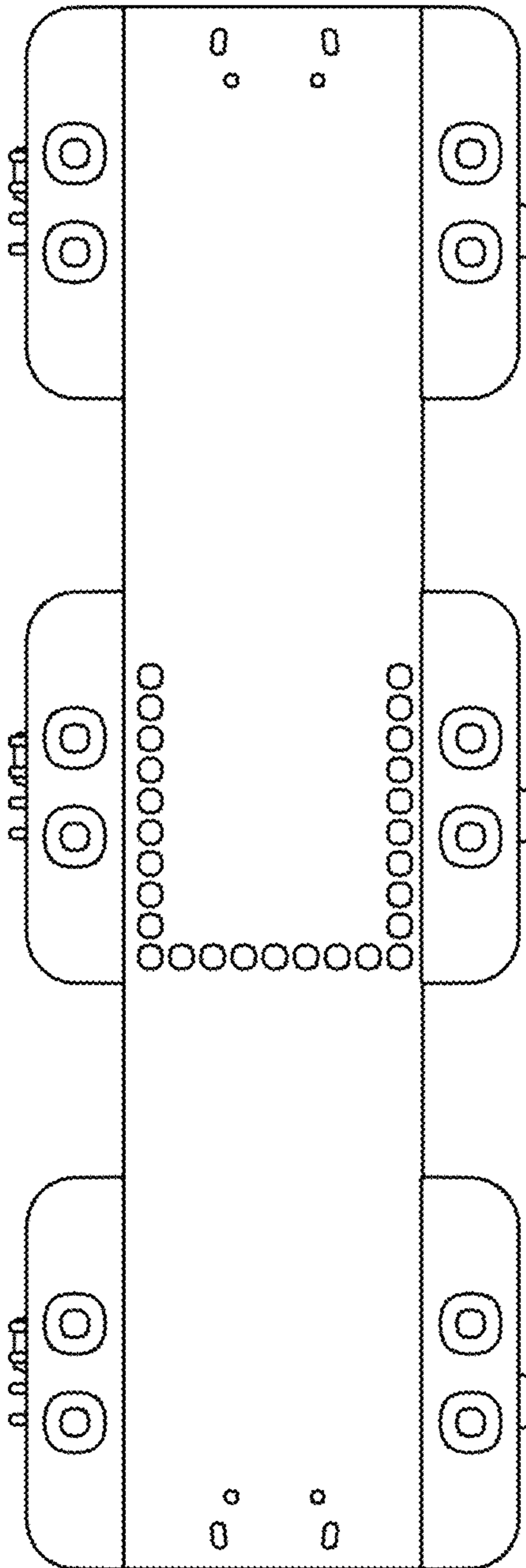


FIG. 2

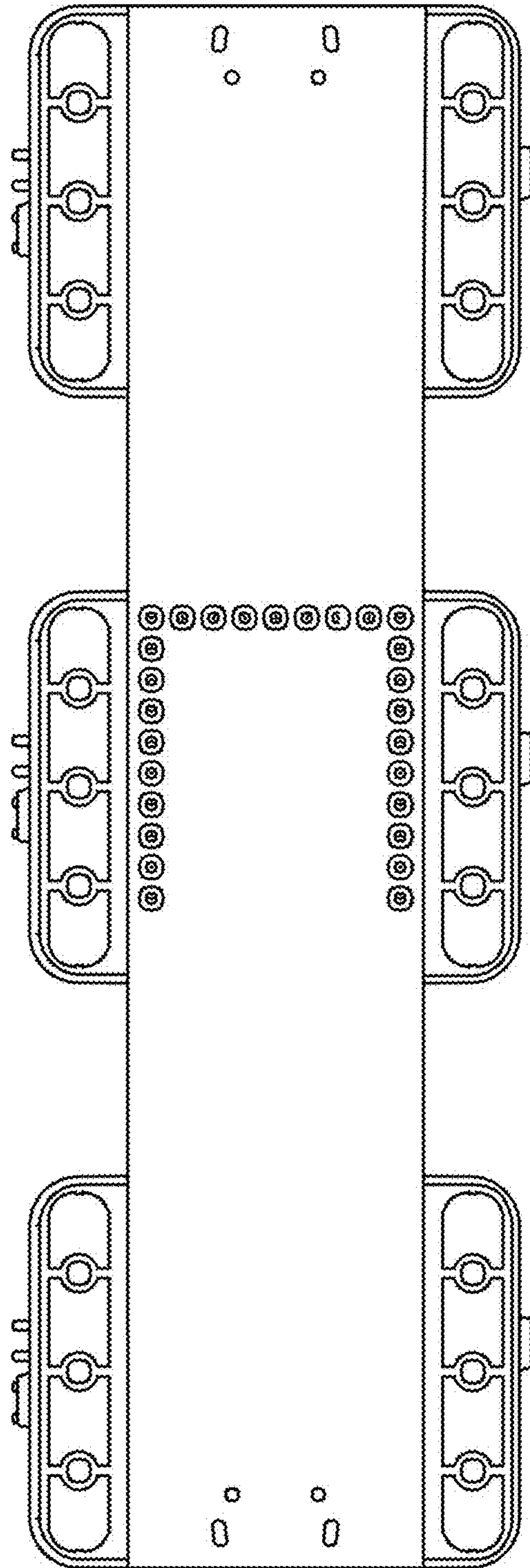


FIG. 3

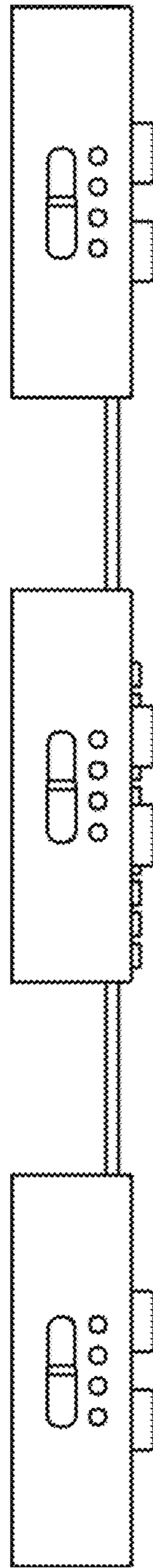


FIG. 4

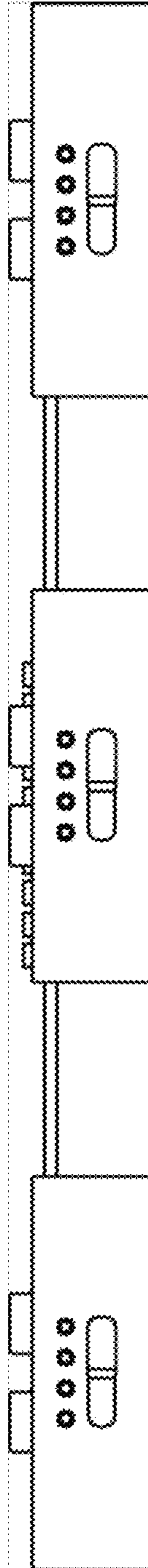


FIG. 5

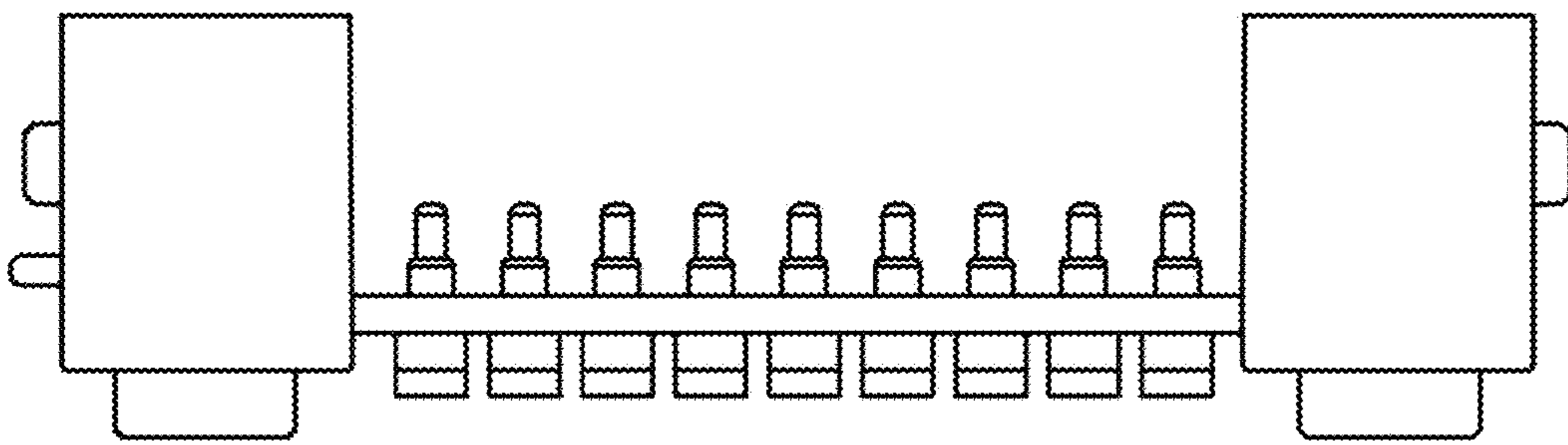


FIG. 6

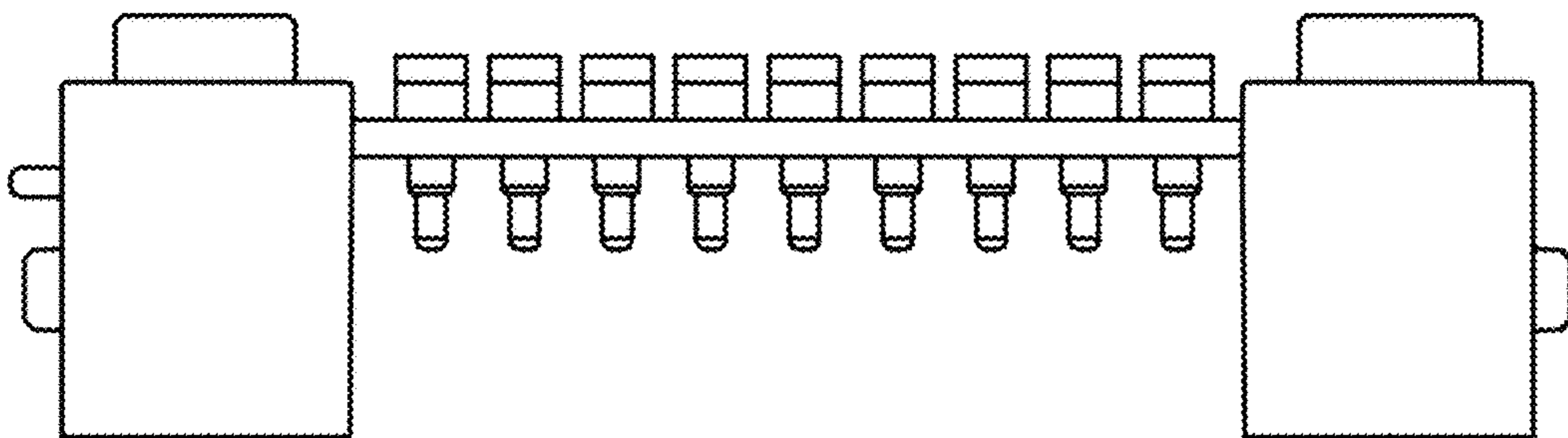


FIG. 7

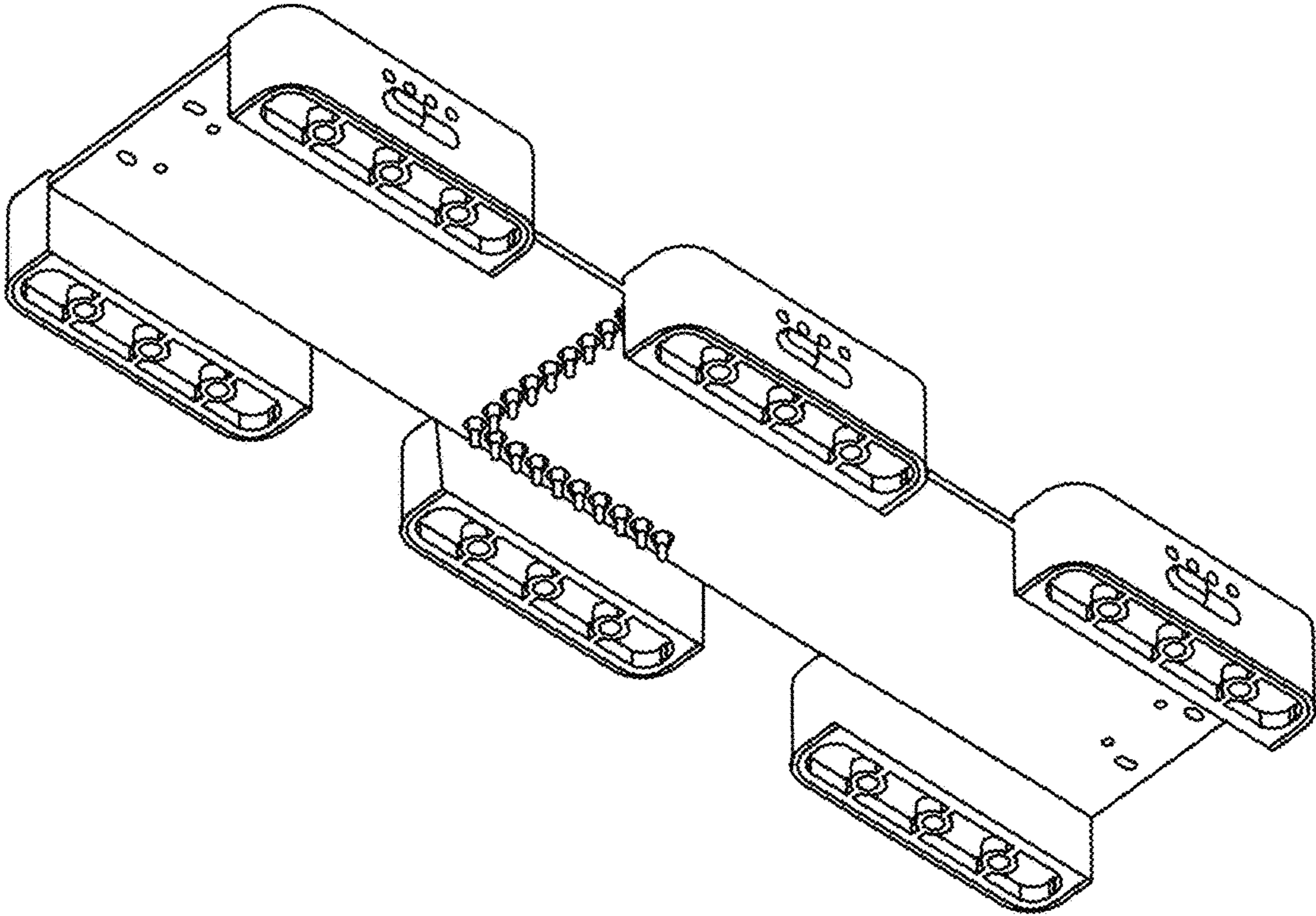


FIG. 8

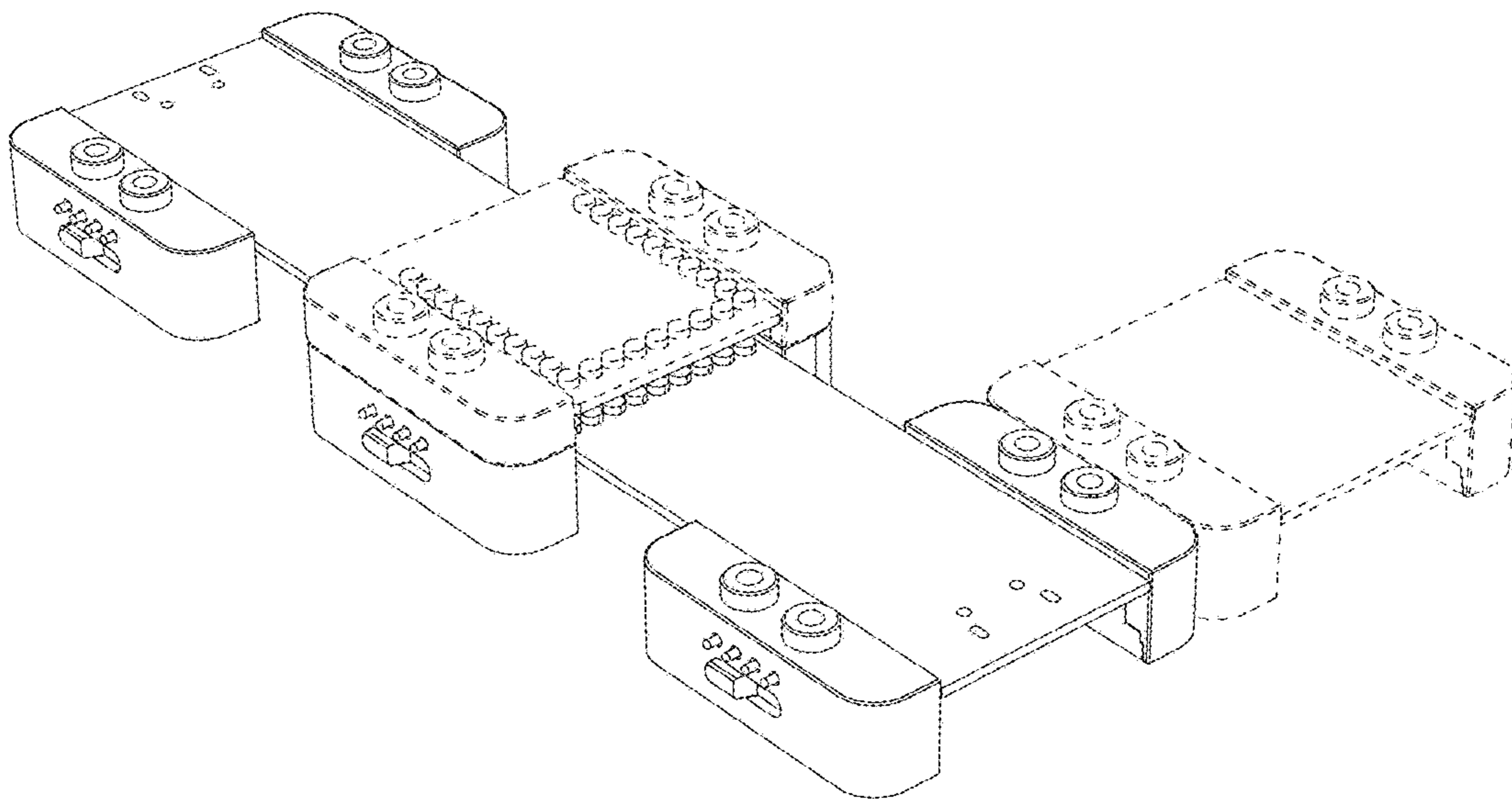


FIG. 9

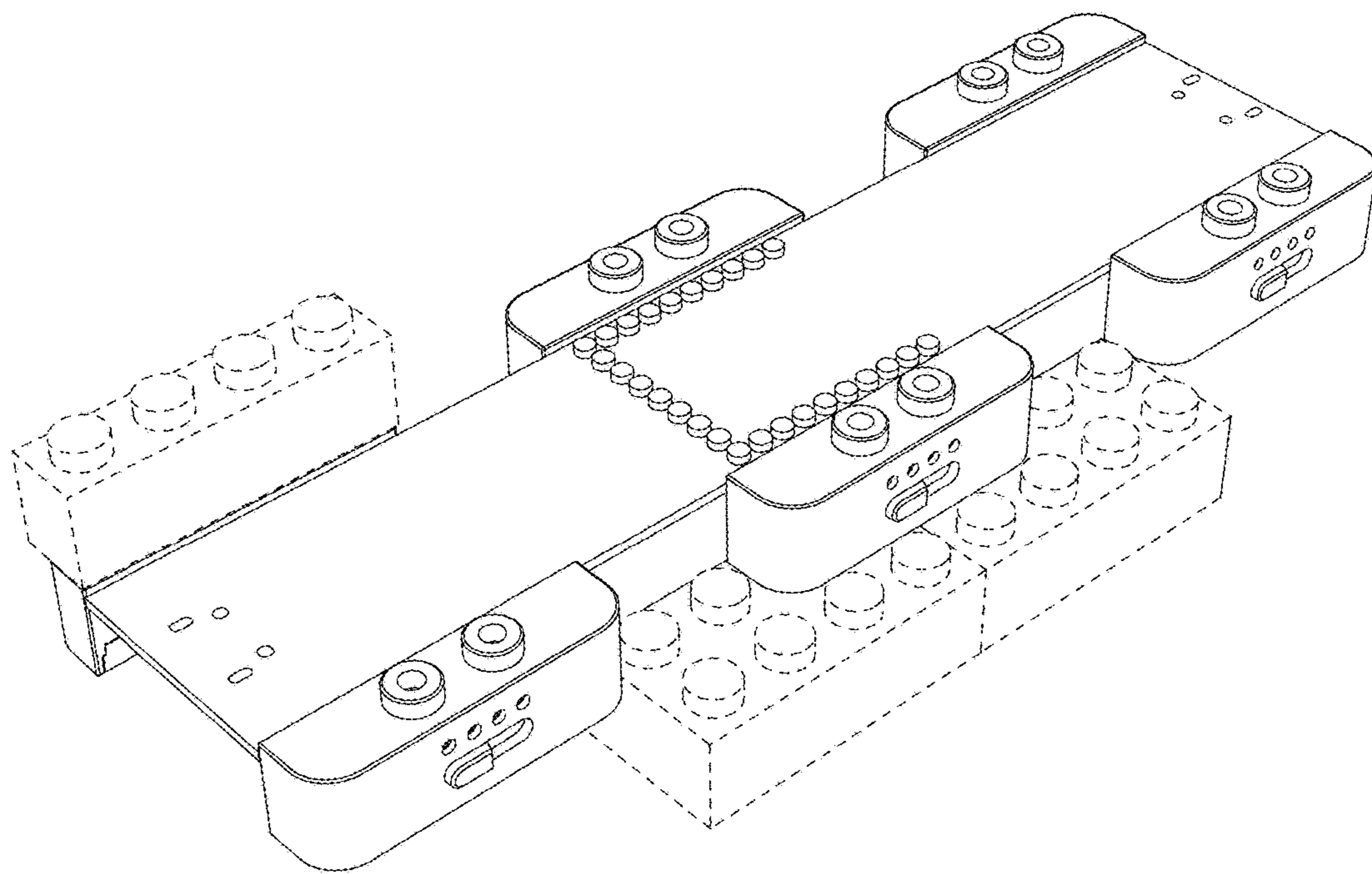


FIG. 10