



US00D851610S

(12) **United States Design Patent** (10) **Patent No.:** **US D851,610 S**  
**Schlegel et al.** (45) **Date of Patent:** **\*\* Jun. 18, 2019**

(54) **KEY BUTTON**  
(71) Applicant: **GEORG SCHLEGEL GMBH & CO. KG**, Dürmentingen (DE)  
(72) Inventors: **Eberhard Schlegel**, Dürmentingen (DE); **Kurt Blank**, Bad Buchau (DE); **Georg Selig**, Bad Buchau-Kappel (DE)  
(73) Assignee: **Georg Schlegel GmbH & Co. KG**, Dürmentingen (DE)

D344,930 S *	3/1994	Schaeffer	.....	D13/171
D377,337 S *	1/1997	Schaeffer	.....	D13/171
D432,387 S *	10/2000	Hyp	.....	D8/300
D432,998 S *	10/2000	Decosse	.....	D13/174
D469,411 S *	1/2003	Decosse	.....	D13/171
D507,543 S *	7/2005	Ishii	.....	D13/174
D559,799 S *	1/2008	Neveu	.....	D13/174
D570,300 S *	6/2008	Weinberg	.....	D13/174
D601,100 S *	9/2009	Wahrenberg	.....	D13/171
D607,852 S *	1/2010	Riede	.....	D13/171
D611,916 S *	3/2010	Wu	.....	D13/171
D645,005 S *	9/2011	Menheere	.....	D13/171
D689,827 S *	9/2013	Mayer	.....	D13/171
D725,612 S *	3/2015	Schlegel	.....	D13/174
D733,078 S *	6/2015	Wu	.....	D13/171
D739,361 S *	9/2015	Wenji	.....	D13/171
D807,309 S *	1/2018	Johnson	.....	D13/174

(\*\*) Term: **15 Years**  
(21) Appl. No.: **35/502,686**  
(22) Filed: **Mar. 7, 2017**

\* cited by examiner

(80) **Hague Agreement Data**  
Int. Filing Date: **Mar. 7, 2017**  
Int. Reg. No.: **DM/095226**  
Int. Reg. Date: **Mar. 7, 2017**  
Int. Reg. Pub. Date: **Mar. 24, 2017**

*Primary Examiner* — Rhea Shields  
(74) *Attorney, Agent, or Firm* — Burr & Brown, PLLC

(30) **Foreign Application Priority Data**  
Sep. 8, 2016 (EM) ..... 003370832-0001  
Sep. 8, 2016 (EM) ..... 003370832-0002

(51) **LOC (11) Cl.** ..... **13-03**  
(52) **U.S. Cl.**  
USPC ..... **D13/174**  
(58) **Field of Classification Search**  
USPC ..... D13/174, 171; D8/300; 200/296, 314  
CPC ..... H02B 1/044; H01H 9/182  
See application file for complete search history.

(57) **CLAIM**

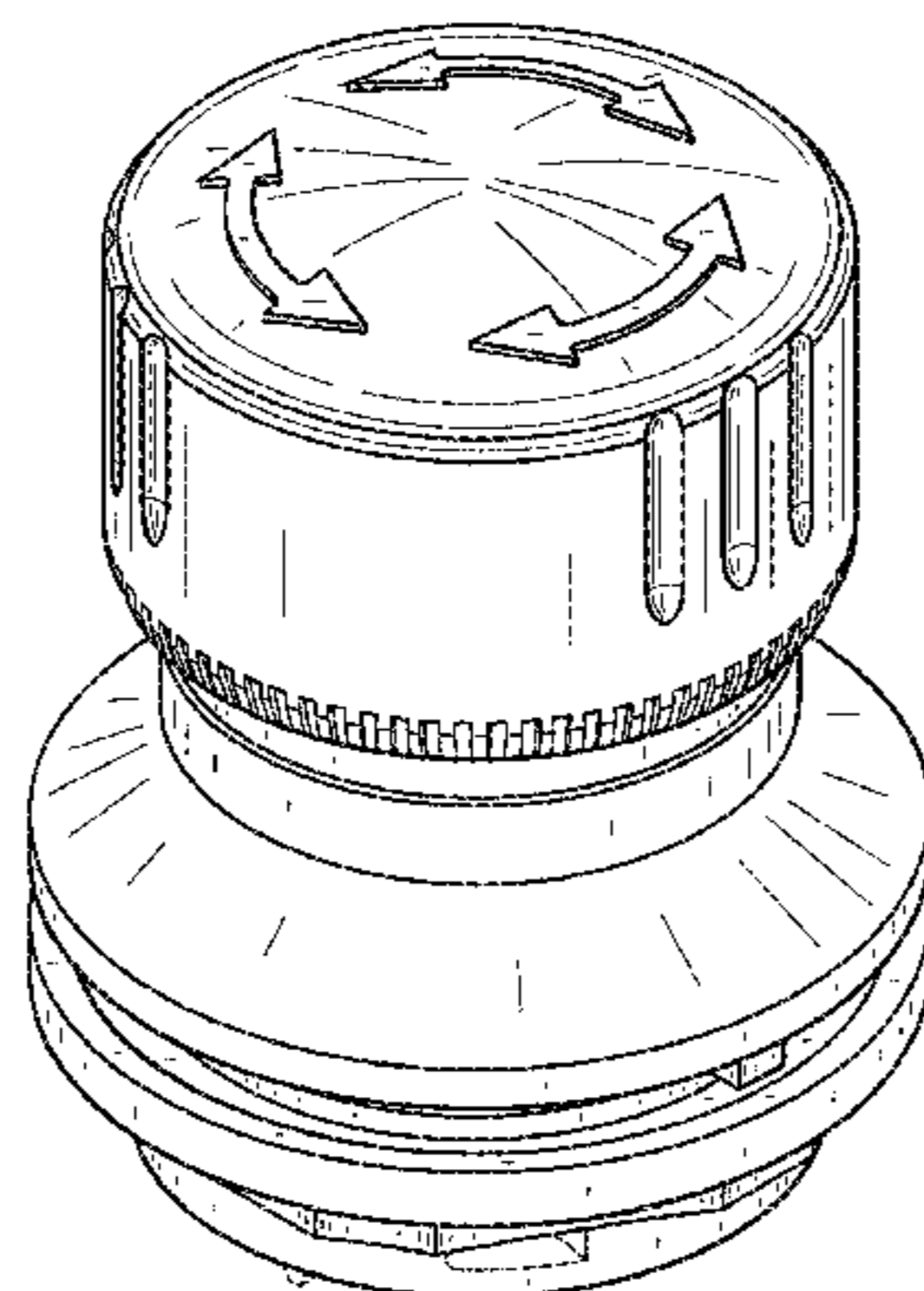
The ornamental design for a key button, as shown and described.

(56) **References Cited**  
U.S. PATENT DOCUMENTS  
4,249,057 A \* 2/1981 Schlegel ..... H02B 1/044  
200/296  
4,254,317 A \* 3/1981 Schlegel ..... H01H 9/182  
200/314

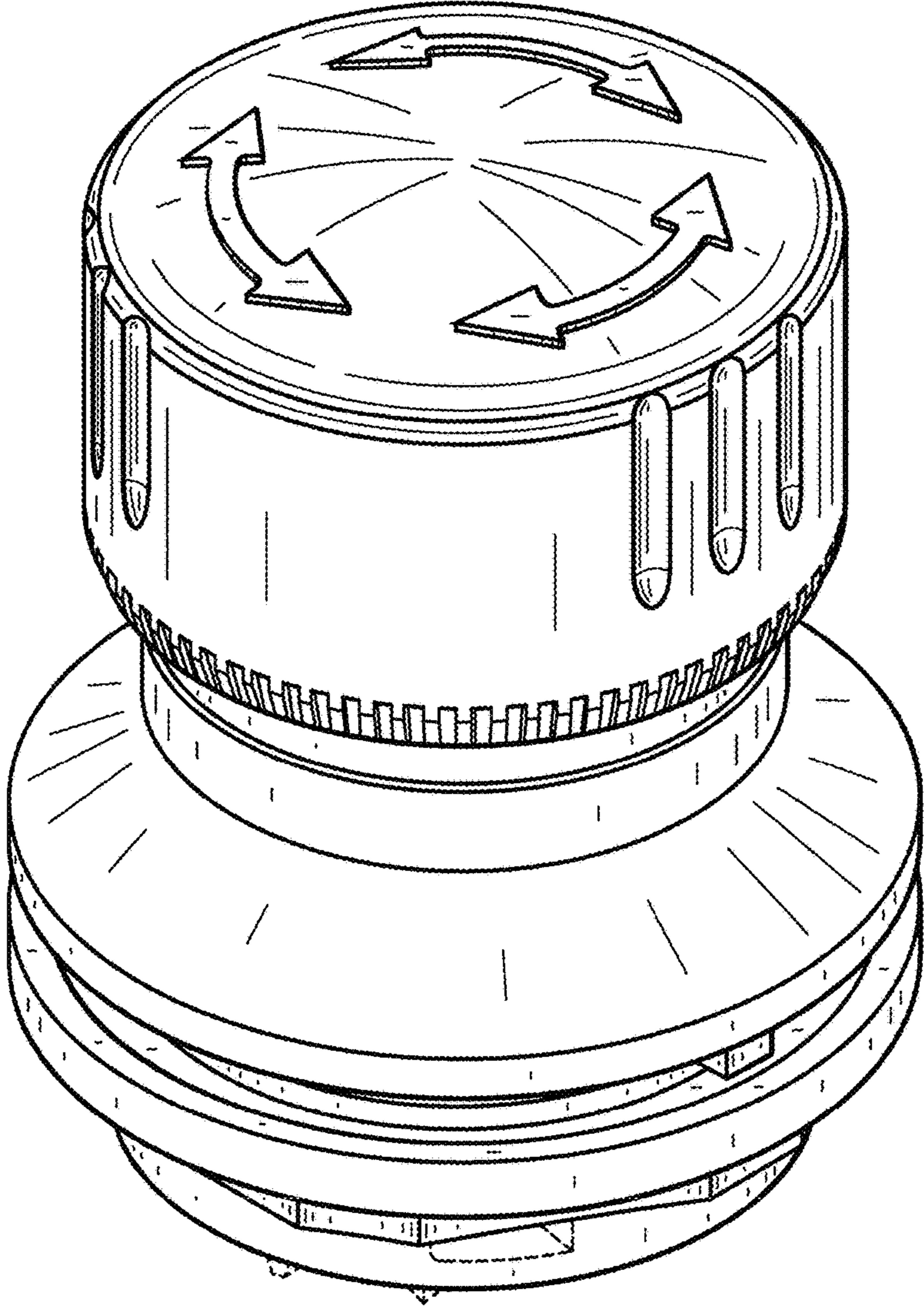
**DESCRIPTION**

Fig. 2.1 is a perspective view;  
Fig. 2.2 is a side view;  
Fig. 2.3 is a side view;  
Fig. 2.4 is a side view;  
Fig. 2.5 is a side view;  
Fig. 2.6 is a top view; and  
Fig. 2.7 is a bottom view.  
The broken lines in the drawings depict unclaimed subject matter only and form no part of the claimed design.

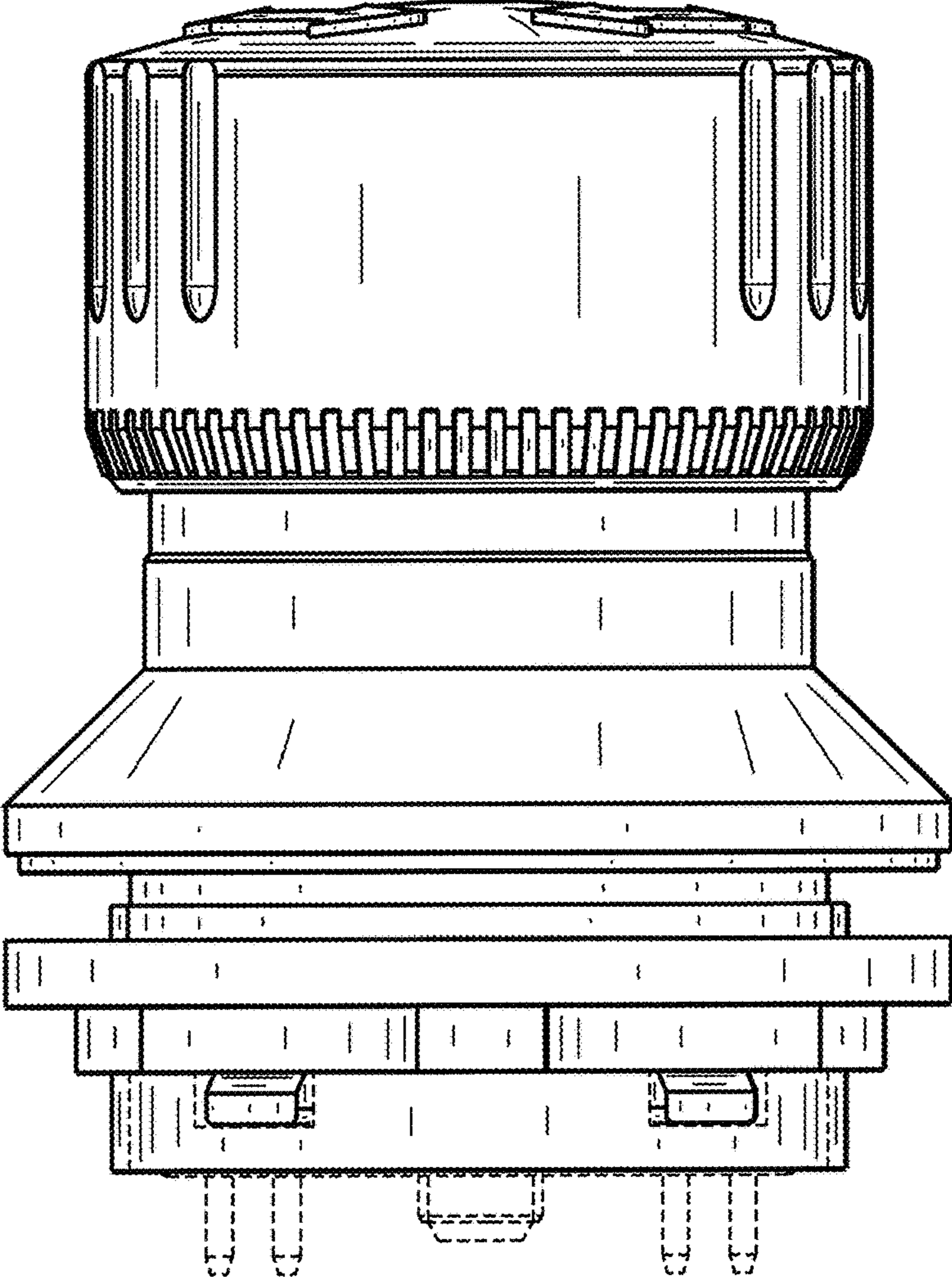
**1 Claim, 7 Drawing Sheets**



2.1

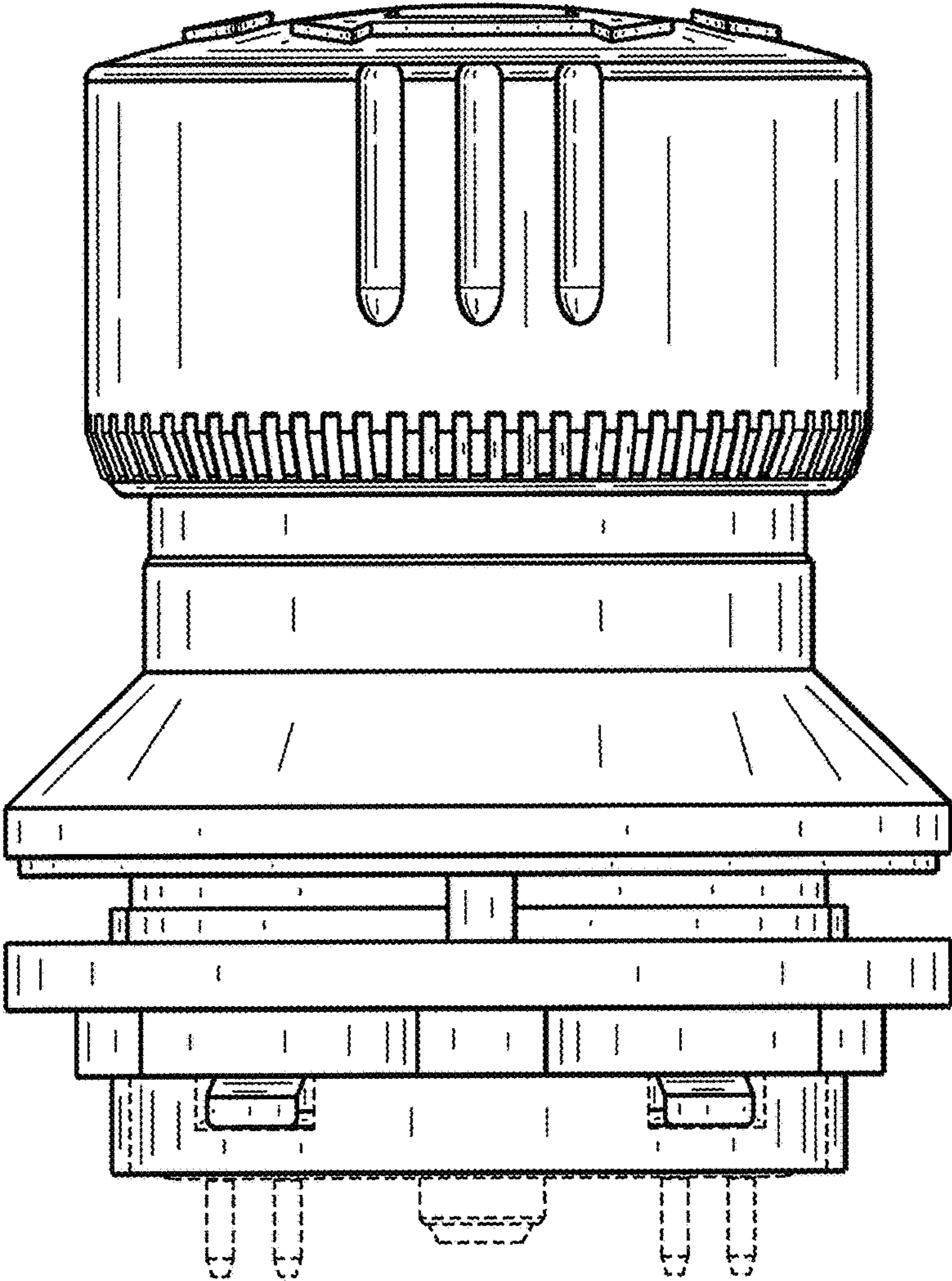


2.2

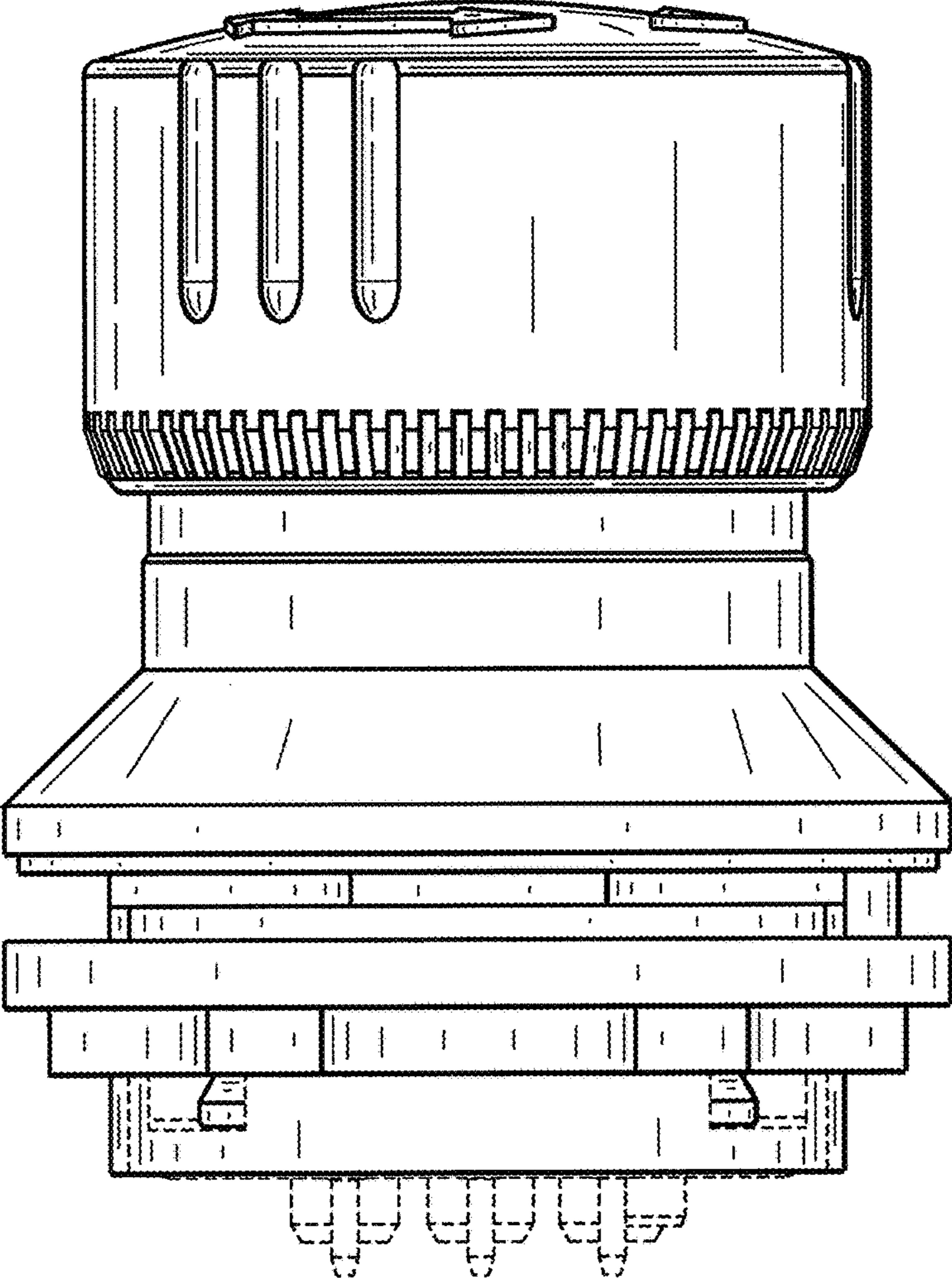




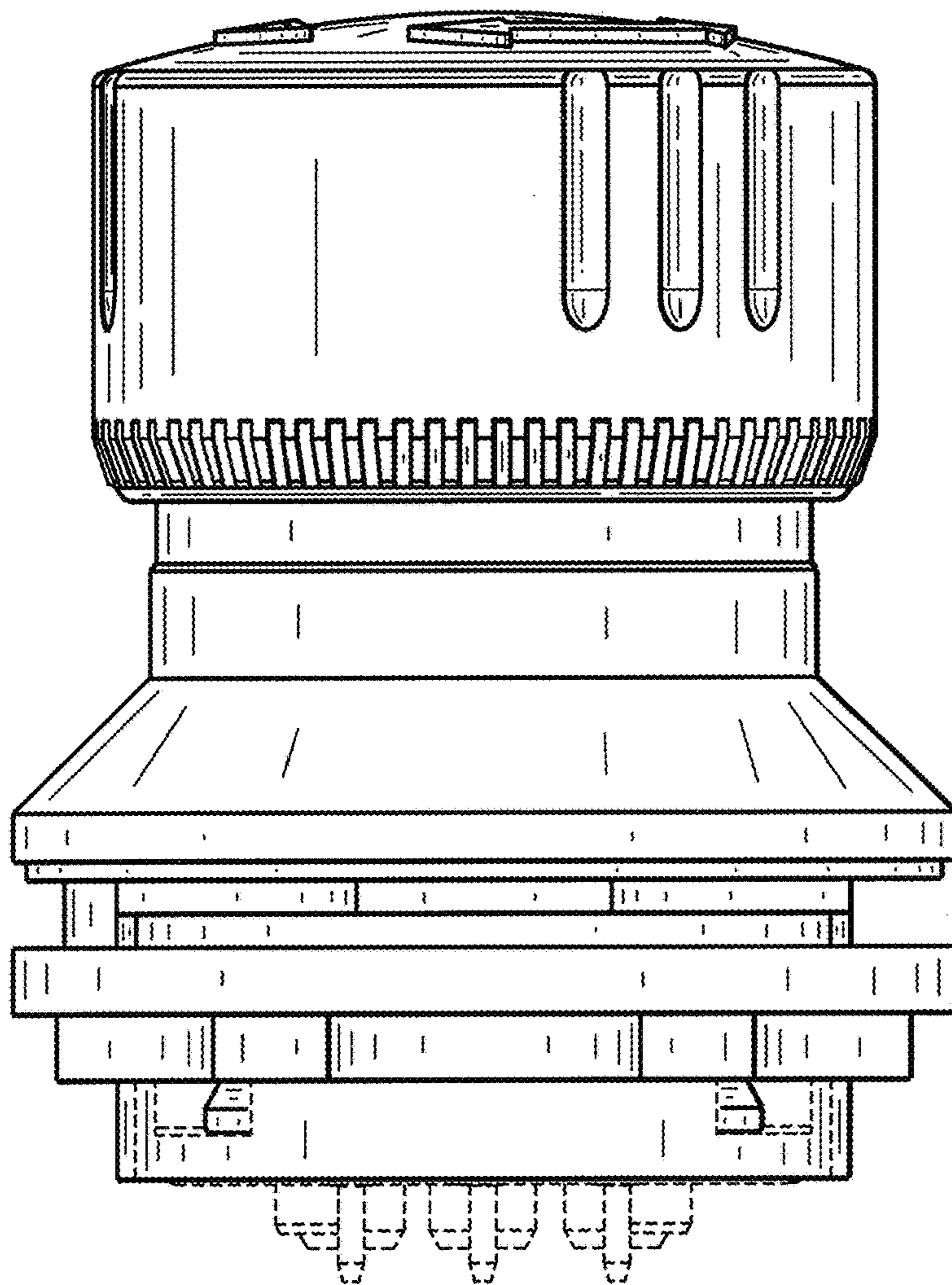
2.3



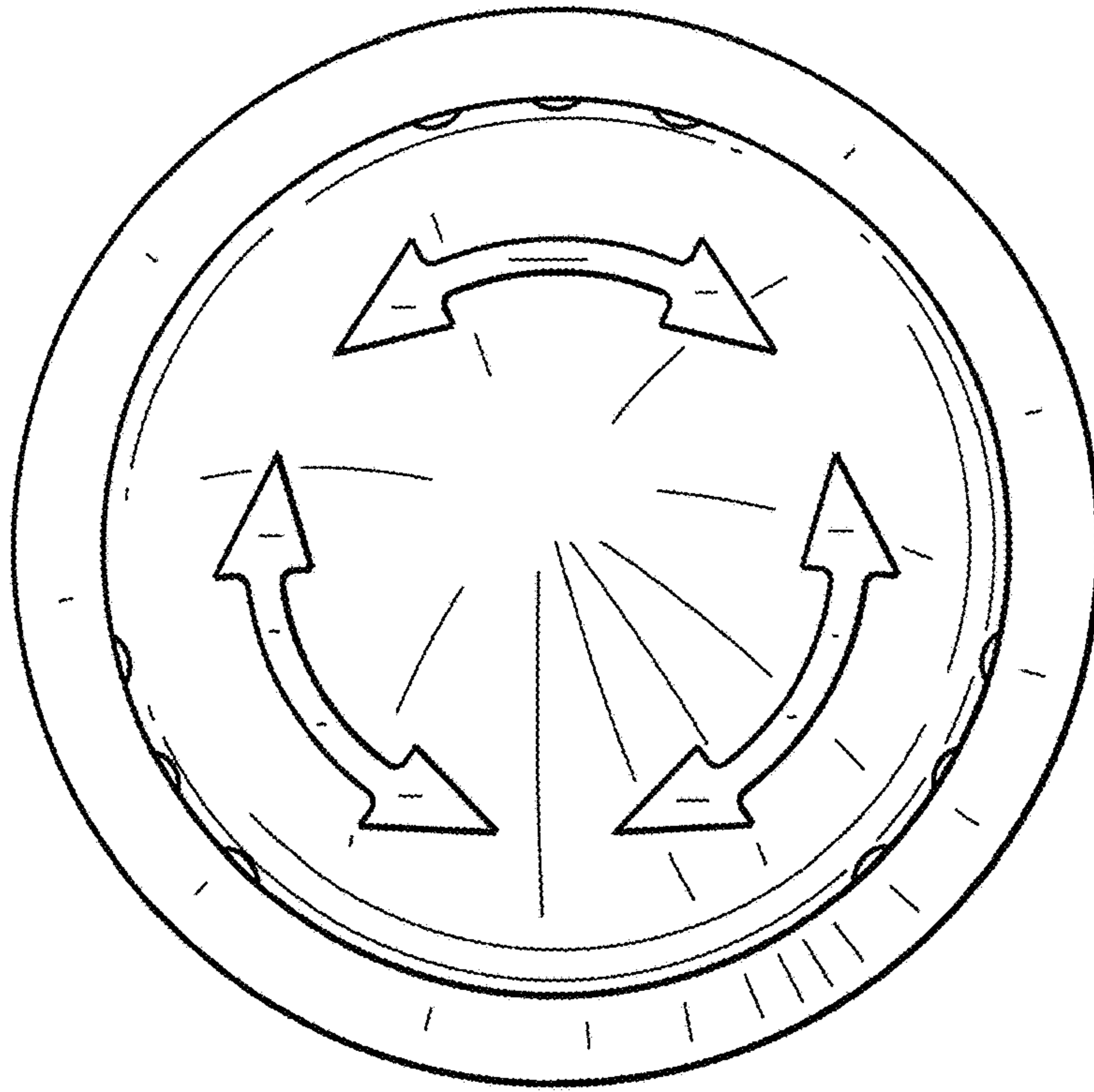
2.4



2.5



2.6



2.7

