



US00D851609S

(12) **United States Design Patent** (10) **Patent No.:** **US D851,609 S**  
**Minale et al.** (45) **Date of Patent:** **\*\* \*Jun. 18, 2019**

(54) **SWITCH PLATE**

(71) Applicant: **Buster and Punch Limited**, Stamford (GB)

(72) Inventors: **Massimo Minale**, London (GB); **Iain Dulley**, Winchester (GB)

(73) Assignee: **Buster and Punch Limited**, London (GB)

(\*) Notice: This patent is subject to a terminal disclaimer.

(\*\*) Term: **15 Years**

(21) Appl. No.: **29/617,045**

(22) Filed: **Sep. 11, 2017**

**Related U.S. Application Data**

(60) Continuation-in-part of application No. 29/588,290, filed on Dec. 20, 2016, now Pat. No. Des. 801,289, which is a division of application No. 29/527,388, filed on May 19, 2015, now Pat. No. Des. 776,628.

**Foreign Application Priority Data**

(30) Apr. 23, 2015 (EM) ..... 002688093-0001  
Apr. 23, 2015 (EM) ..... 002688093-0002  
Apr. 23, 2015 (EM) ..... 002688093-0003  
Apr. 23, 2015 (EM) ..... 002688093-0004  
Apr. 23, 2015 (EM) ..... 002688093-0005  
Apr. 23, 2015 (EM) ..... 002688093-0006  
Apr. 23, 2015 (EM) ..... 002688093-0007  
Apr. 23, 2015 (EM) ..... 002688093-0008  
Apr. 23, 2015 (EM) ..... 002688093-0009  
Apr. 23, 2015 (EM) ..... 002688093-00010  
Apr. 23, 2015 (EM) ..... 002688093-00011  
Apr. 23, 2015 (EM) ..... 002688093-00012

(51) **LOC (11) Cl.** ..... **13-03**

(52) **U.S. Cl.**  
USPC ..... **D13/169**

(58) **Field of Classification Search**

USPC ..... D13/162, 169, 173, 177  
CPC ..... H01H 3/04; H01H 21/36; H01H 25/00;  
H01H 25/04; H01H 25/06; H01H 23/00;  
H01H 23/02; H01H 23/04; H01H 23/08;  
H01H 23/14; H01H 23/146; H01H  
23/148; H01H 23/16; H01H 23/162;  
H01H 23/164; H01H 23/168; H01H  
36/006; G05G 1/04

See application file for complete search history.

(56) **References Cited**

**U.S. PATENT DOCUMENTS**

1,857,379 A 5/1932 Hubbell  
4,347,758 A 9/1982 Geil  
D311,678 S \* 10/1990 Graef ..... D13/171  
6,392,170 B1 5/2002 Wechsler  
D475,024 S \* 5/2003 Bennett ..... D13/164

(Continued)

*Primary Examiner* — Selina Sikder

(74) *Attorney, Agent, or Firm* — Dascenzo Intellectual Property Law, P.C.; David S. D'Ascenzo

(57) **CLAIM**

The ornamental design for a switch plate, as shown and described.

**DESCRIPTION**

FIG. 1 is a perspective view of a switch plate according to the present invention.

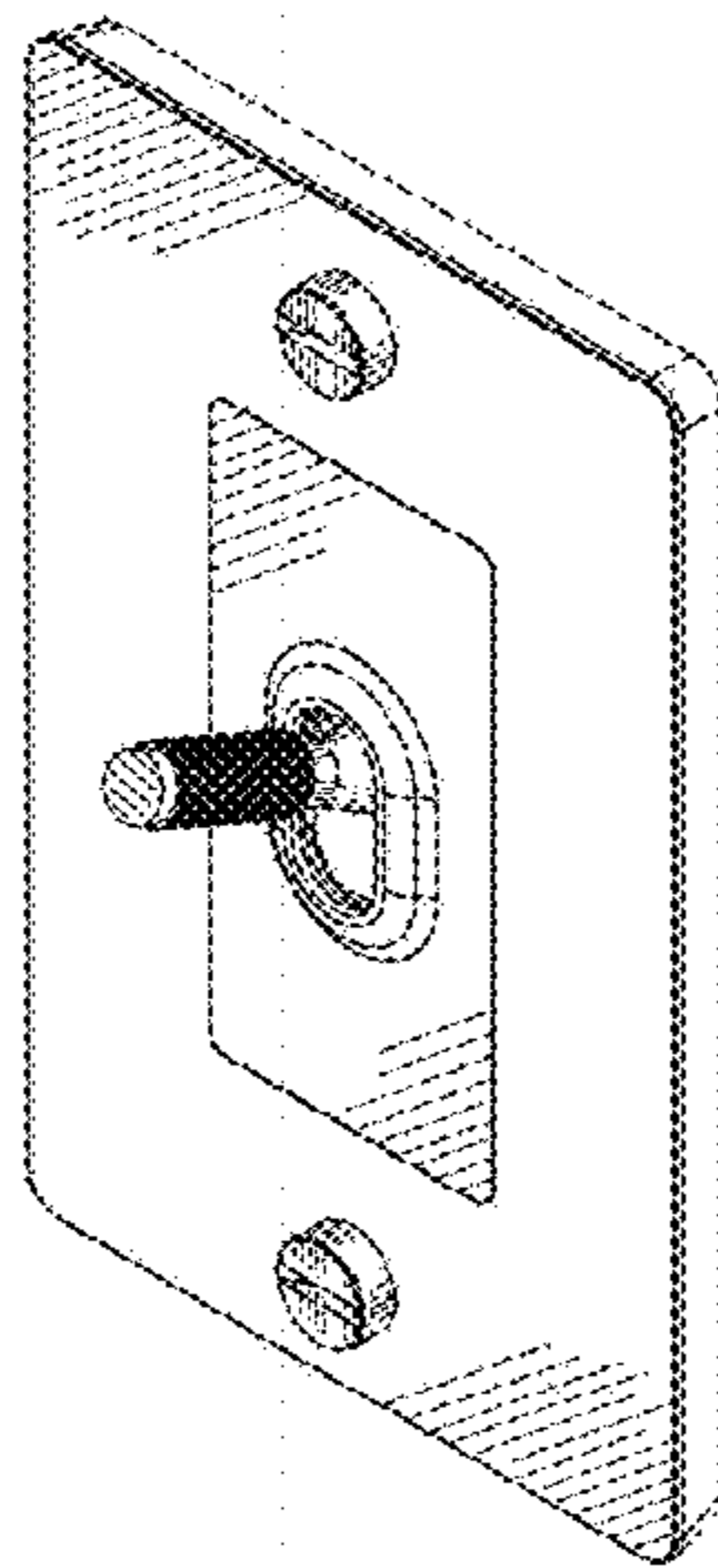
FIG. 2 is a front view of the switch plate of FIG. 1.

FIG. 3 is a top view of the switch plate of FIG. 1; and,

FIG. 4 is a side view of the switch plate of FIG. 1. The opposite side view is identical thereto.

The rear of the switch plate of FIG. 1 forms no part of the claimed design. The dashed lines shown in the drawings illustrate portions of the switch plate that are not presently claimed and thus form no part of the claimed design.

**1 Claim, 4 Drawing Sheets**



(56)

**References Cited**

U.S. PATENT DOCUMENTS

D487,429	S	*	3/2004	Bennett .....	D13/164
6,710,273	B1		3/2004	Skarlupka	
6,713,693	B1		3/2004	Sadowski	
D513,237	S		12/2005	Langner	
D633,875	S		3/2011	Bauer	
7,977,594	B1		7/2011	Miserendino	
D658,591	S	*	5/2012	Margolin .....	D13/162
9,331,688	B2		5/2016	Moreau	
D776,628	S	*	1/2017	Minale .....	D13/169
D801,289	S	*	10/2017	Minale .....	D13/169
2005/0045464	A1		3/2005	Eisenhower	
2007/0272532	A1	*	11/2007	Pessina .....	H02G 3/14 200/333

\* cited by examiner

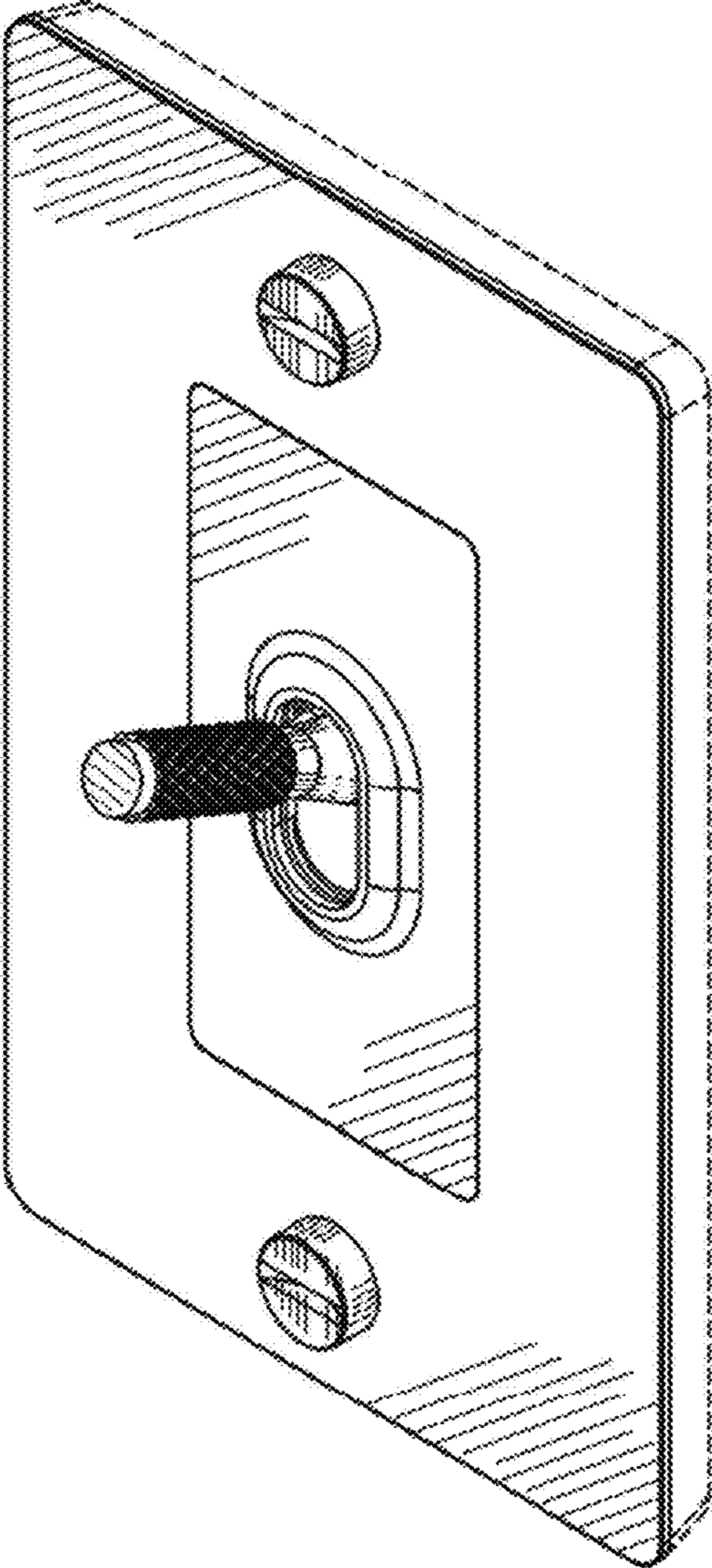


Fig. 1

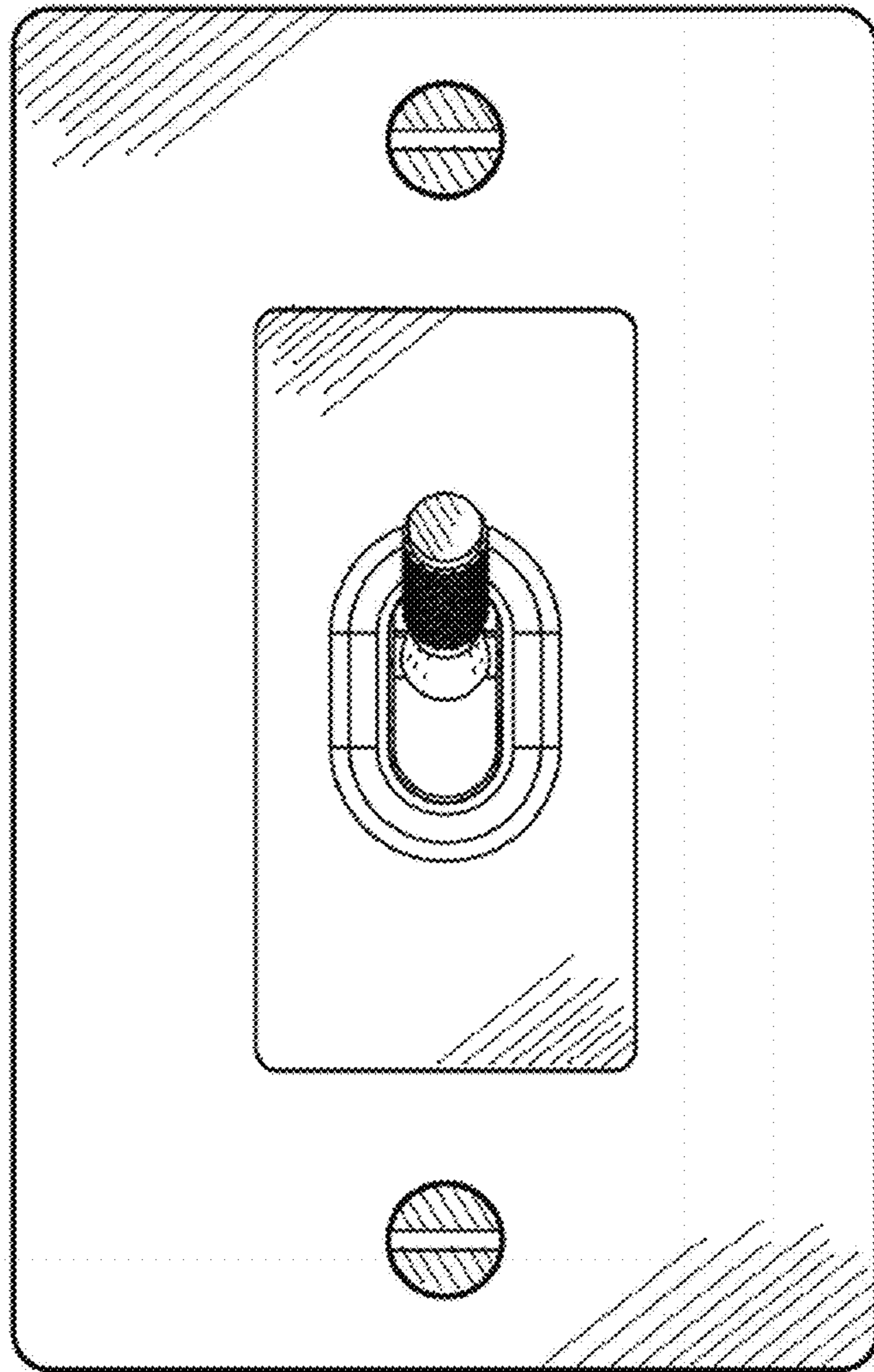


Fig. 2

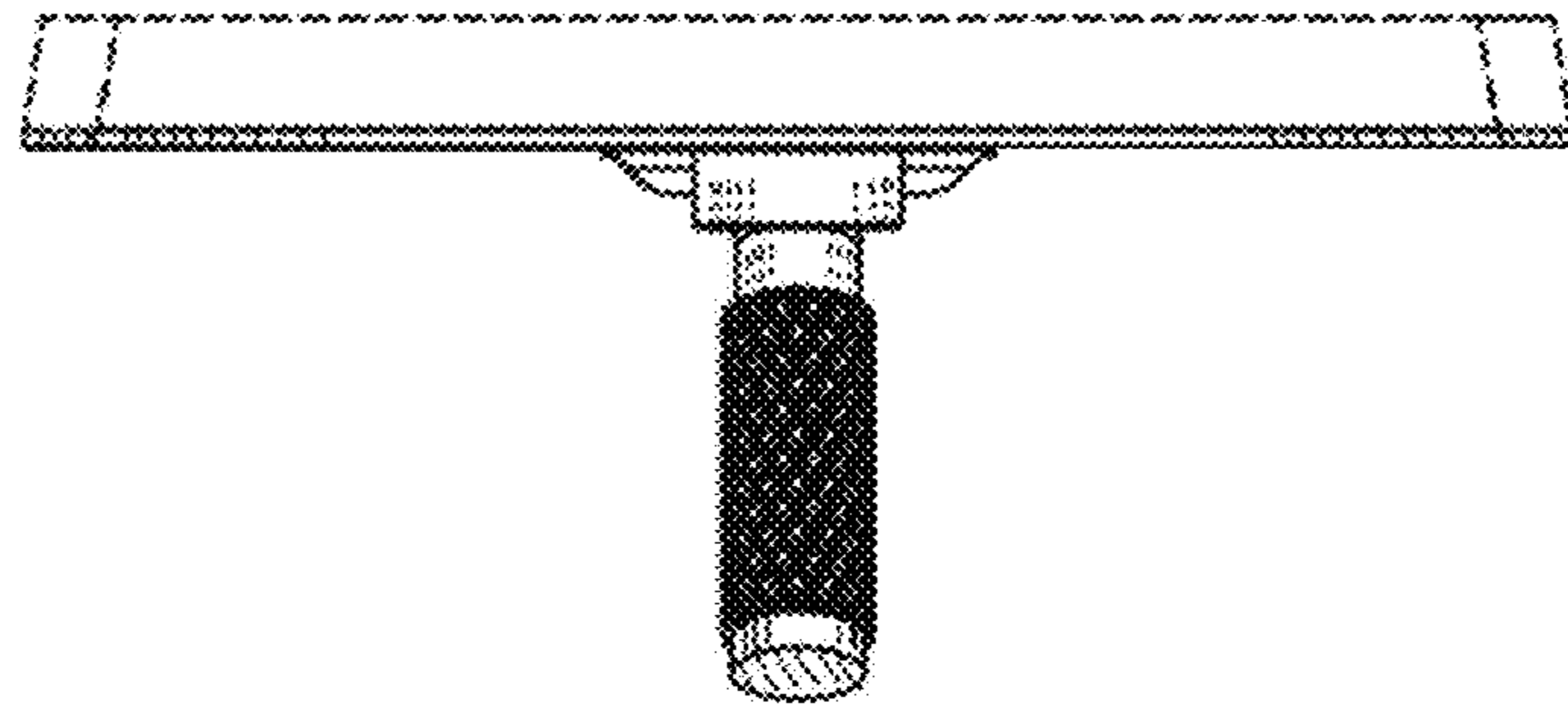


Fig. 3

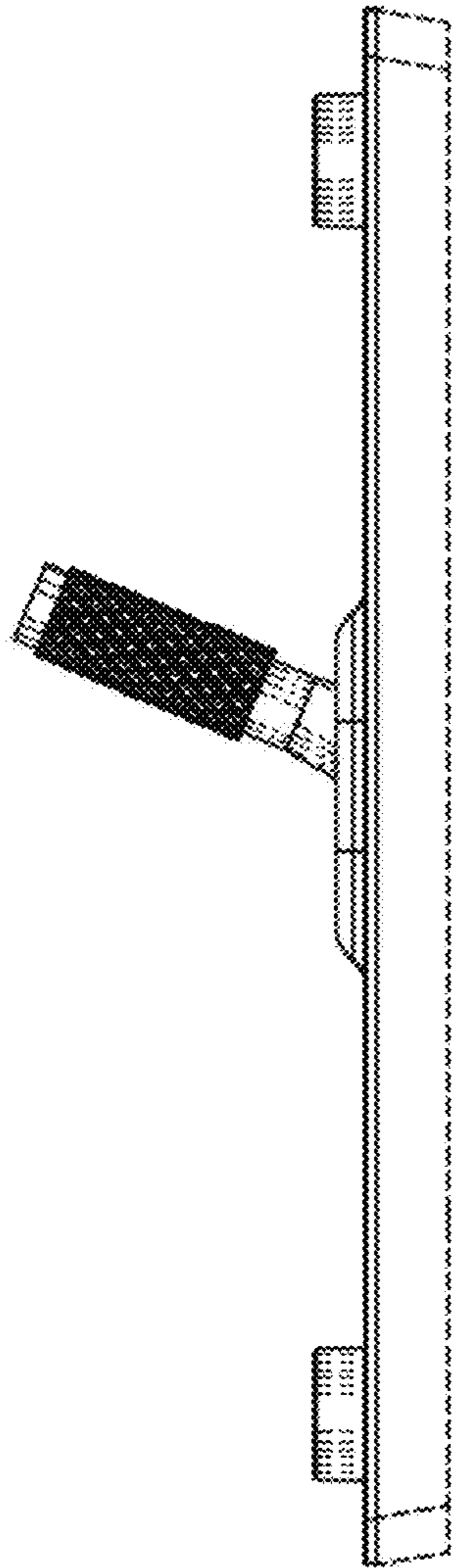


Fig. 4