



US00D851608S

(12) **United States Design Patent**
Zheng

(10) **Patent No.:** **US D851,608 S**

(45) **Date of Patent:** **** *Jun. 18, 2019**

- (54) **DIMMER SWITCH**
- (71) Applicant: **Yueqing Hongji Trade Co., Ltd,**
Yueqing, Zhejiang (CN)
- (72) Inventor: **Shaotong Zheng,** Yueqing (CN)
- (73) Assignee: **YUEQING HONGJI TRADE CO., LTD,** Yueqing, Zhejiang (CN)
- (*) Notice: This patent is subject to a terminal disclaimer.
- (**) Term: **15 Years**
- (21) Appl. No.: **29/607,844**
- (22) Filed: **Jun. 16, 2017**
- (51) **LOC (11) Cl.** **13-03**
- (52) **U.S. Cl.**
USPC **D13/169**
- (58) **Field of Classification Search**
USPC D13/162, 164, 169, 177
CPC H01H 9/02; H01H 9/0271; H01H 9/16;
H01H 9/161; H01H 9/18; H01H 9/181;
H01H 9/182; H01H 13/04; H01H 13/14;
H01H 13/20; H01H 13/30; H01H 19/635;
H01H 23/00; H01H 23/02; H01H 23/025;
H01H 23/04; H01H 23/145; H01H
23/148; H01H 23/205; H01H 23/30;
H05B 37/02; H05B 37/0254; H05B
37/0272

See application file for complete search history.

(56) **References Cited**

U.S. PATENT DOCUMENTS

- 5,384,441 A * 1/1995 Balaban H01H 23/02
200/339
- D515,449 S * 2/2006 Nelson D10/114.1
- D534,875 S * 1/2007 Wu D13/169
- 7,164,082 B2 * 1/2007 Kurek H01R 4/34
174/51
- D576,566 S * 9/2008 Wu D13/169
- D583,335 S * 12/2008 Ni D13/169

- D609,650 S * 2/2010 Chou D13/169
- D649,122 S * 11/2011 Jacoby D13/162
- D656,102 S * 3/2012 Chou D13/162
- D657,320 S * 4/2012 Hoffman D13/169
- 8,459,812 B2 * 6/2013 Wu H01H 23/025
200/335
- 8,822,859 B2 * 9/2014 Hoffman H01H 23/04
200/315
- 8,853,893 B2 * 10/2014 Savicki, Jr. H05B 33/0815
200/339
- D740,766 S * 10/2015 Falkenberg D13/169
- D821,985 S * 7/2018 Zheng D13/169
- D830,976 S * 10/2018 Liao D13/169
- D837,167 S * 1/2019 Zheng D13/169
- D837,749 S * 1/2019 Liao D13/169
- 2009/0167098 A1 * 7/2009 Kalatizadeh H03K 17/94
307/116
- 2012/0292174 A1 * 11/2012 Mah H01H 3/227
200/573

* cited by examiner

Primary Examiner — Selina Sikder

(74) *Attorney, Agent, or Firm* — Ziegler IP Law Group, LLC

(57) **CLAIM**

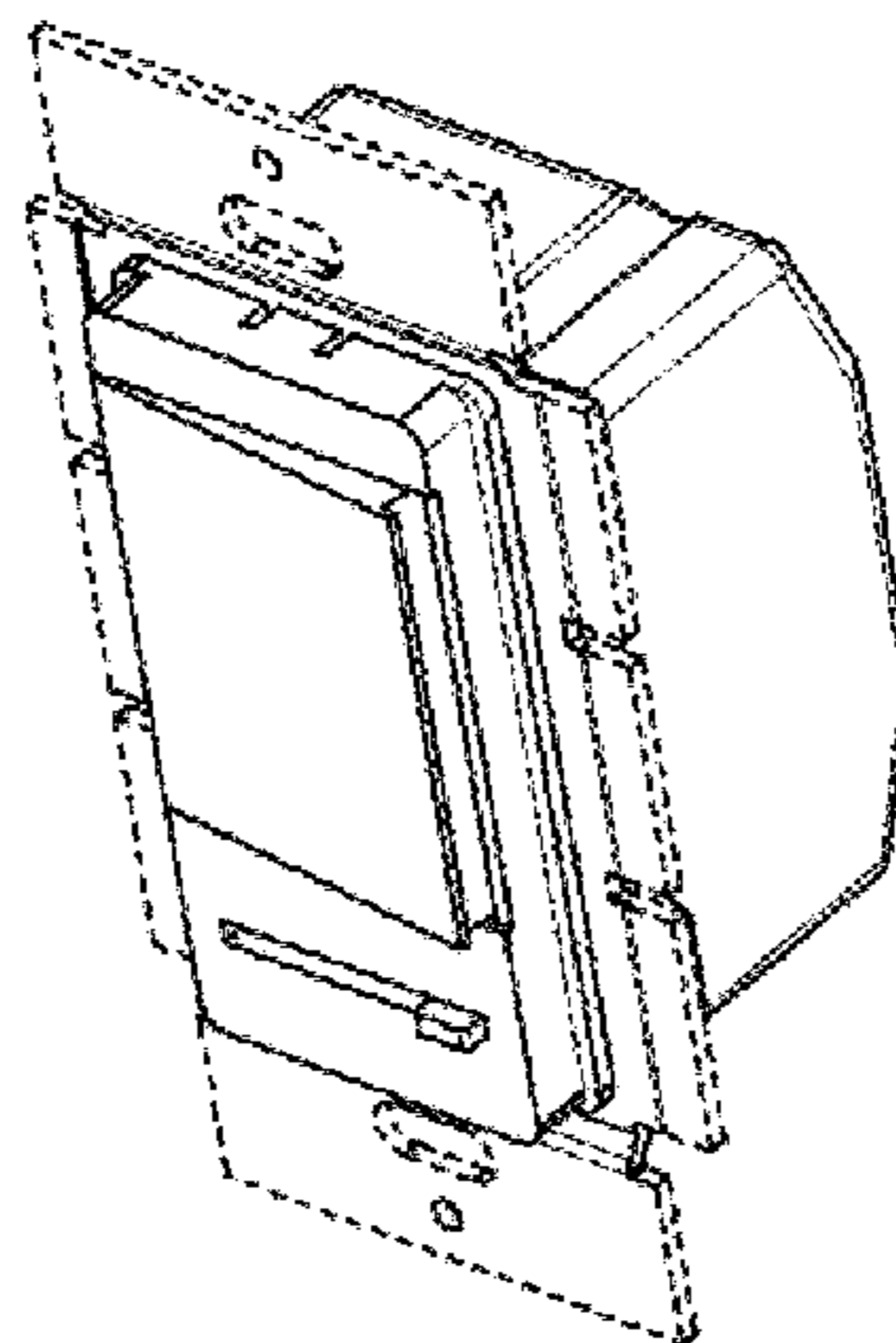
The ornamental design for a dimmer switch, as shown and described.

DESCRIPTION

FIG. 1 is a front perspective view of a dimmer switch showing our new design;
 FIG. 2 is a front view thereof;
 FIG. 3 is a back view thereof;
 FIG. 4 is a bottom view thereof;
 FIG. 5 is a top view thereof;
 FIG. 6 is a right side view thereof; and,
 FIG. 7 is a left side view thereof.

The environmental structure shown with broken lines in the drawings forms no part of the claimed design.

1 Claim, 7 Drawing Sheets



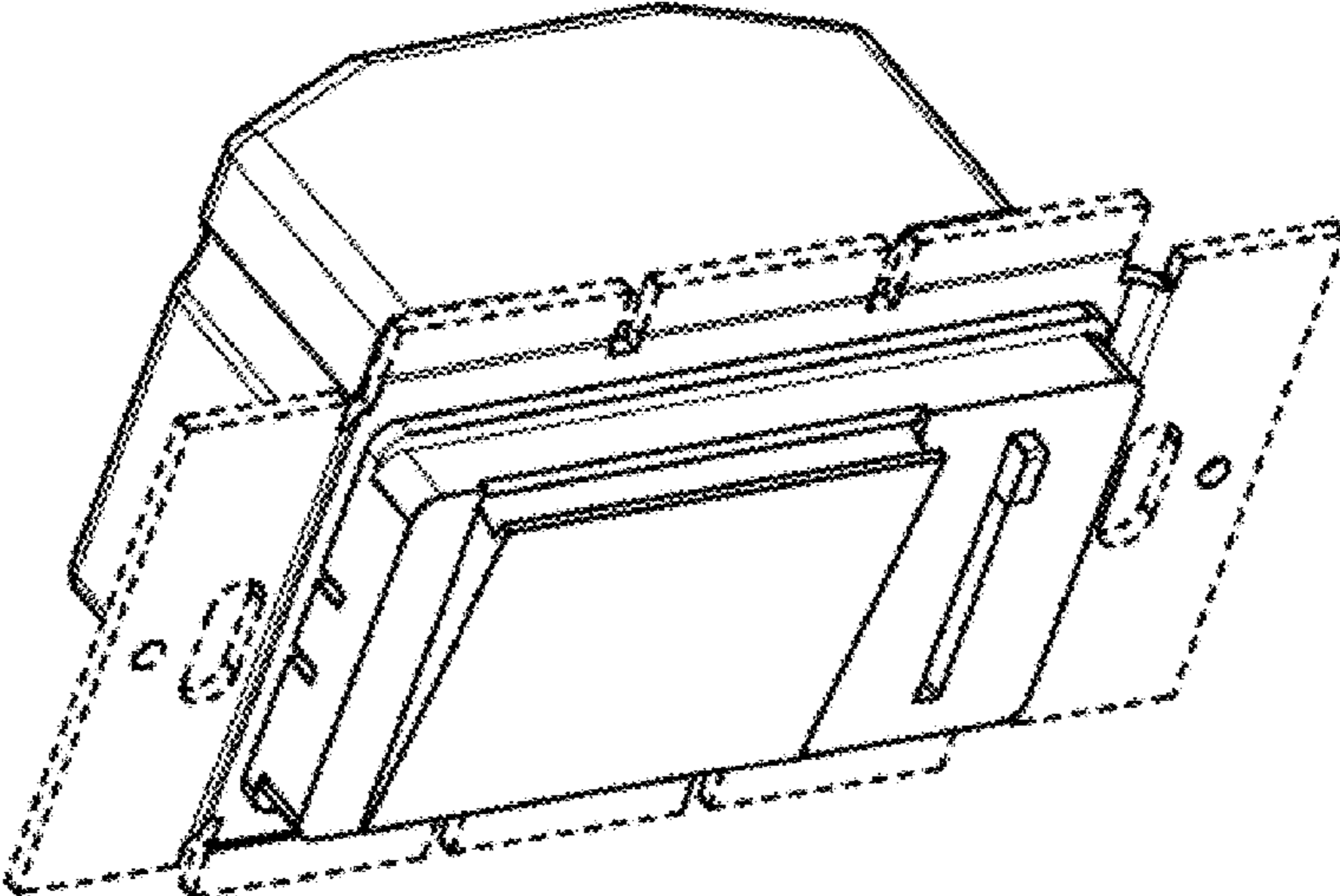


FIG. 1

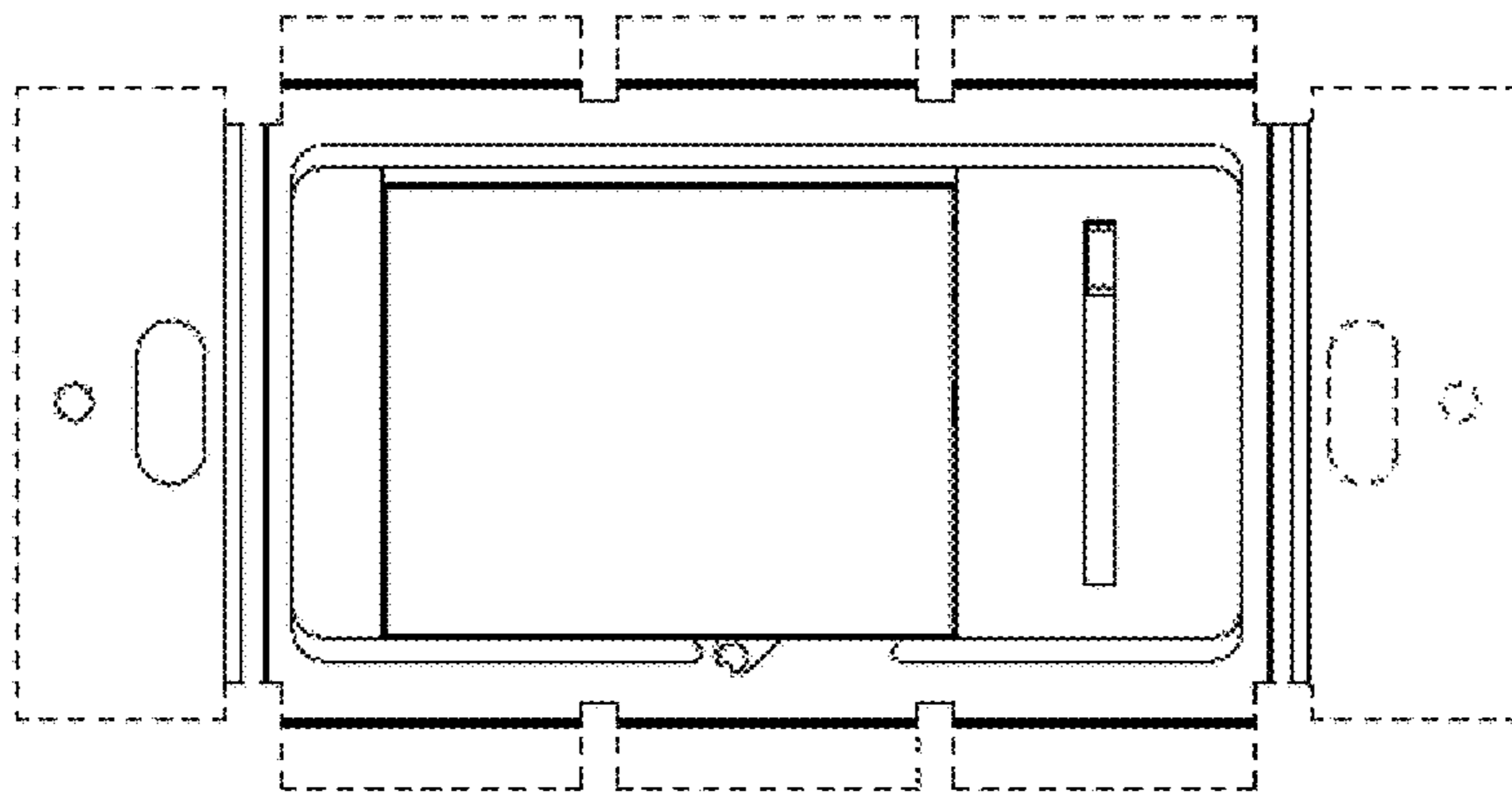


FIG. 2

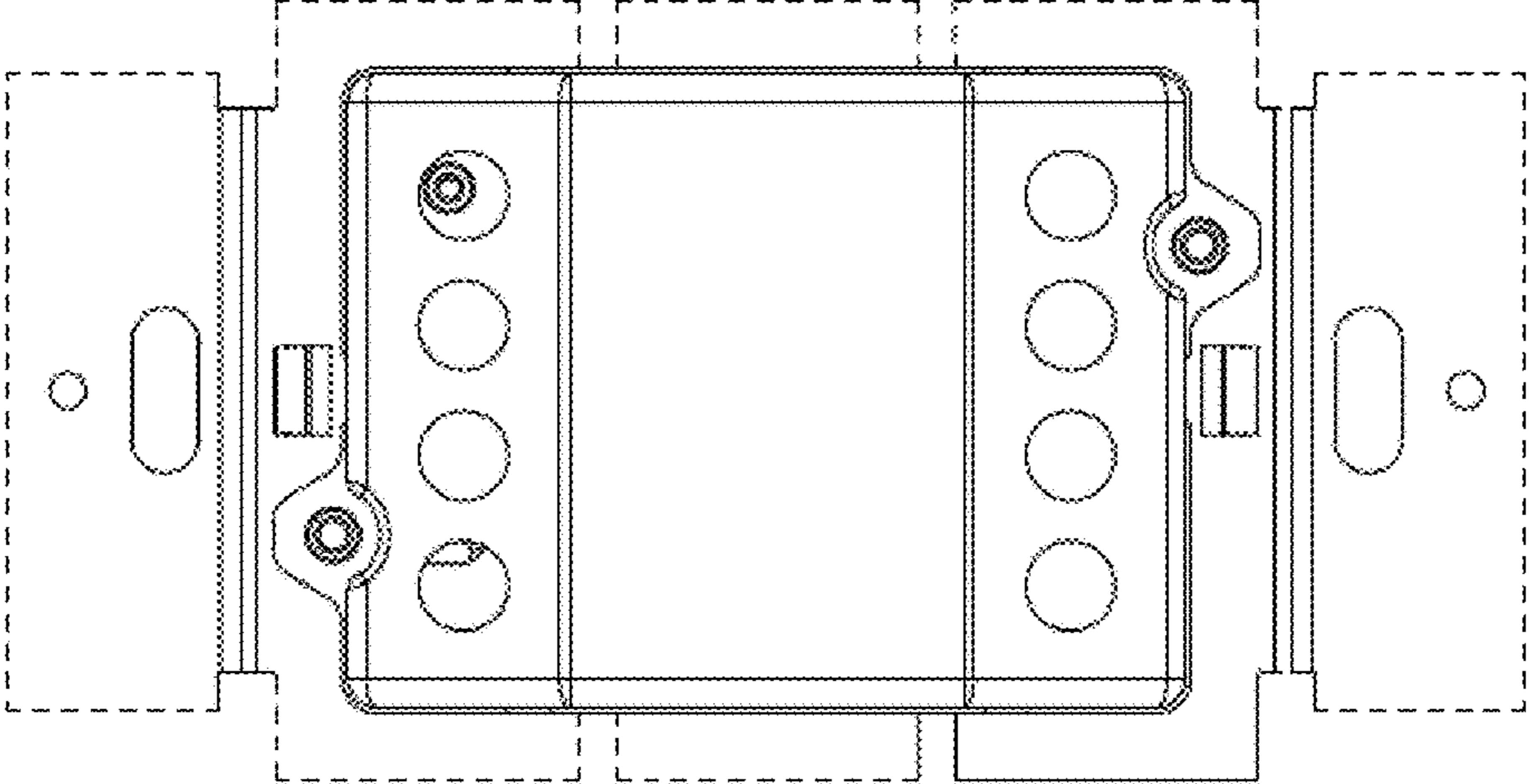


FIG. 3

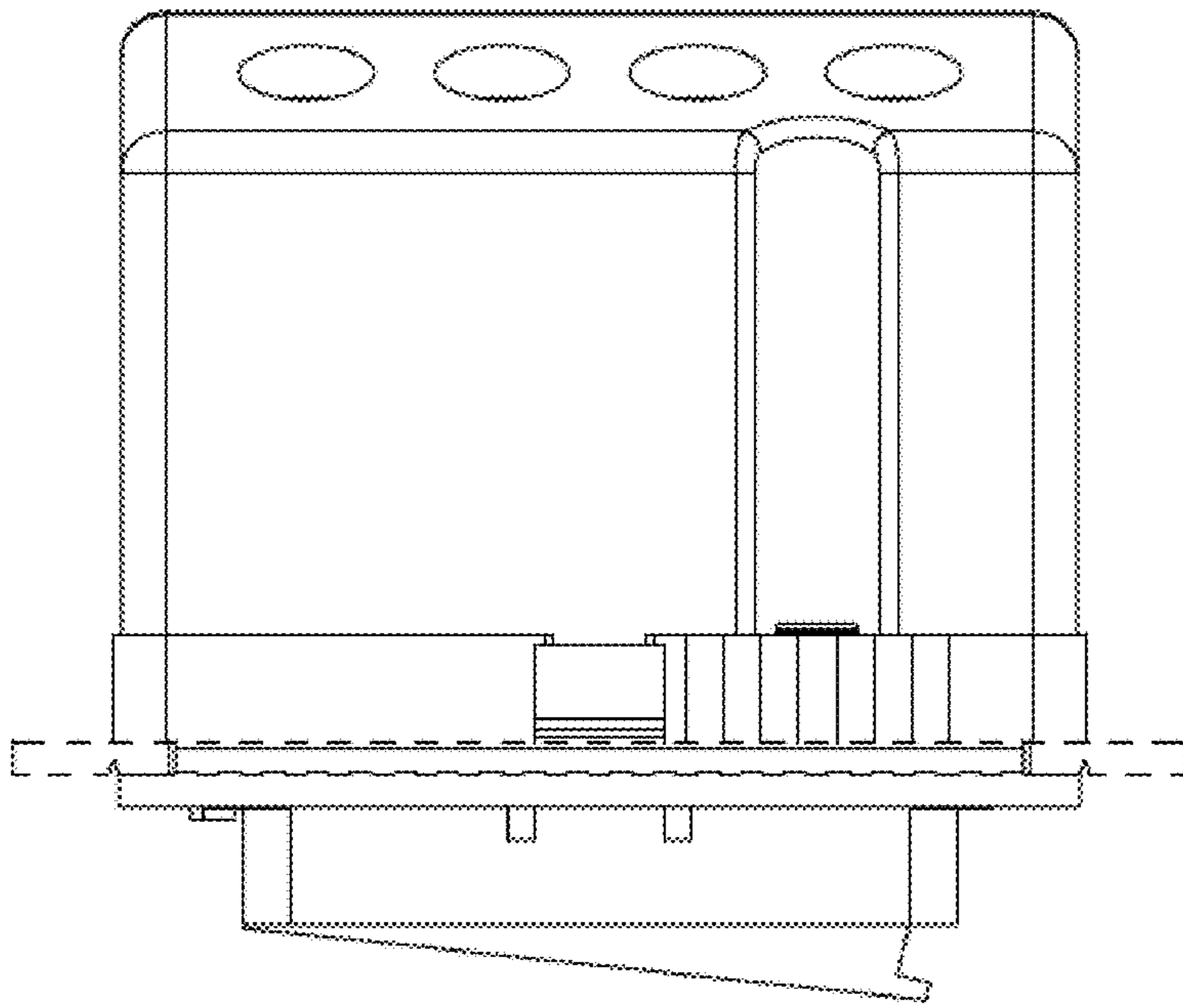


FIG. 4

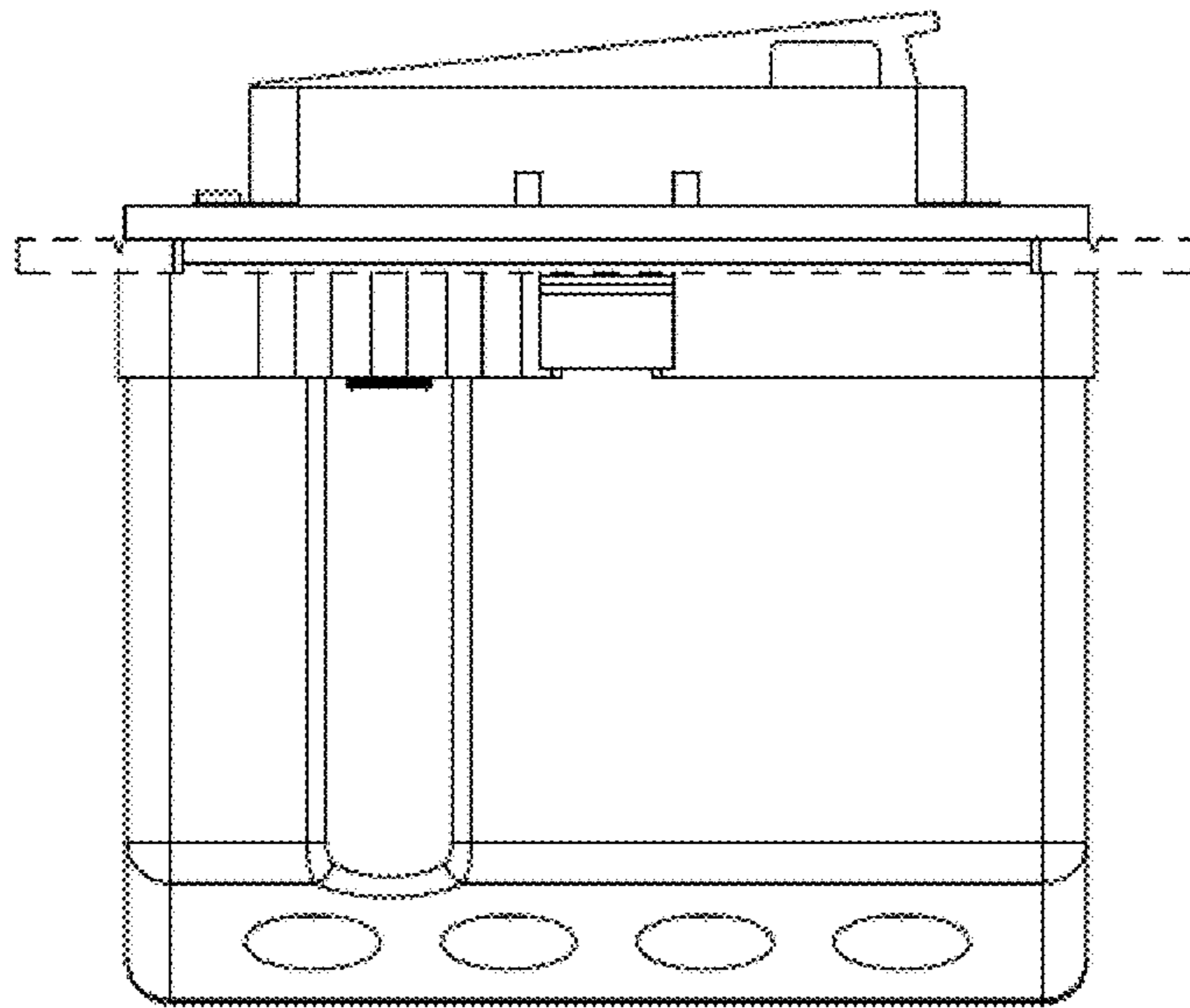


FIG. 5

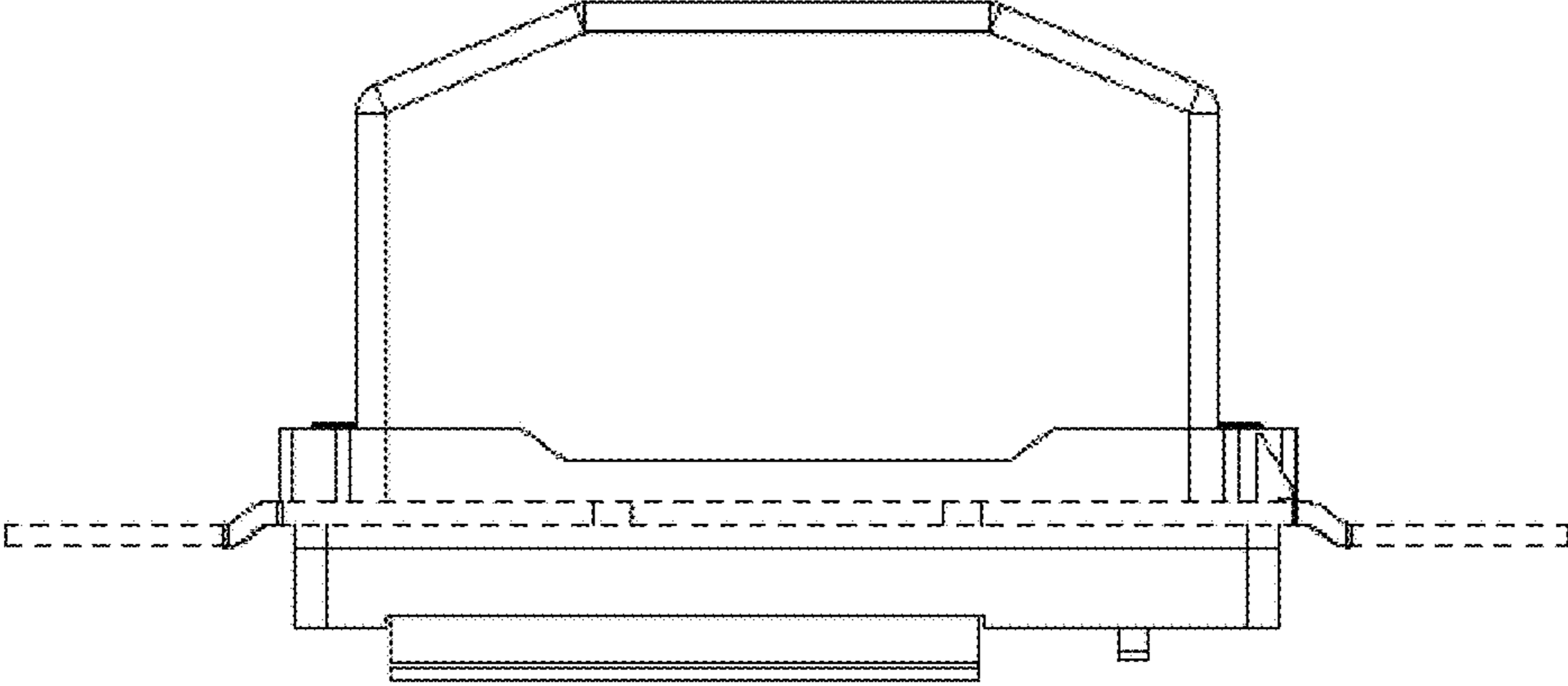


FIG. 6

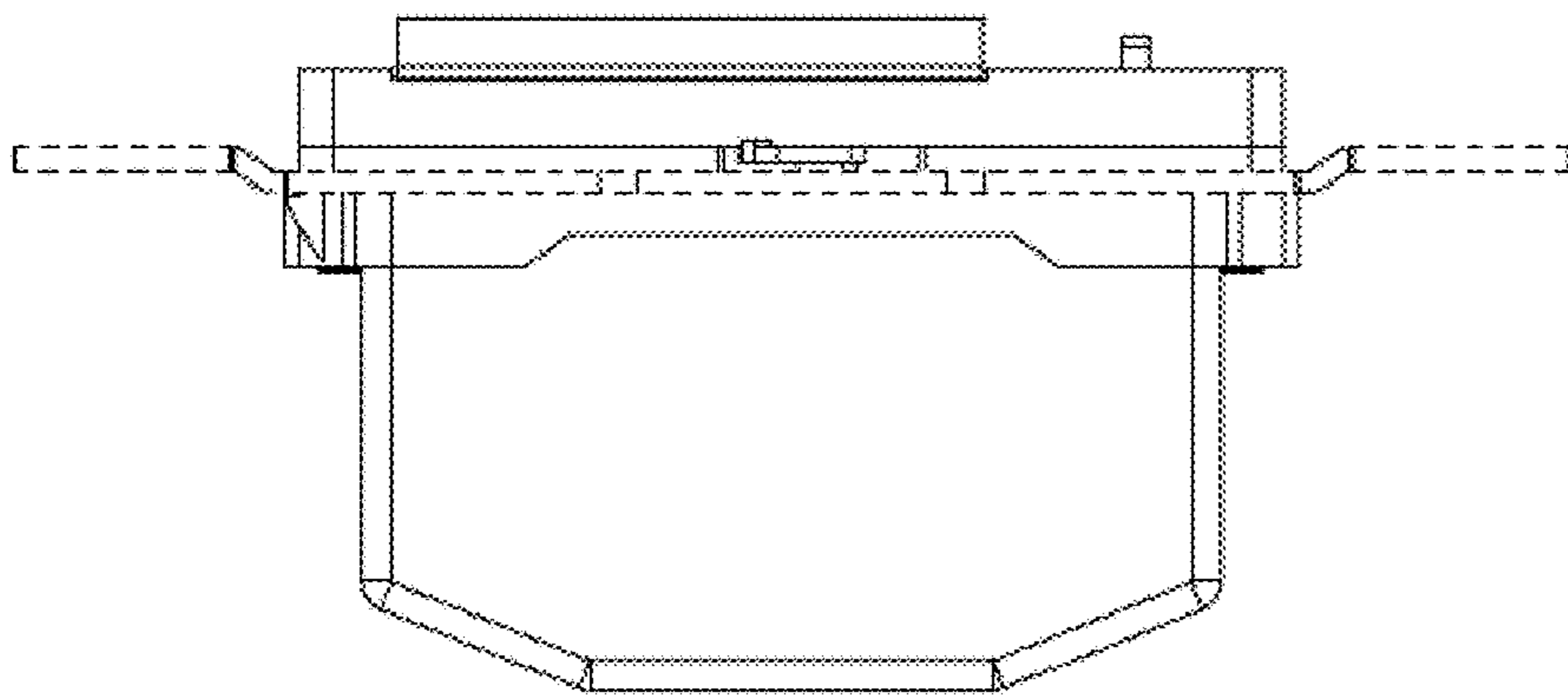


FIG. 7