



US00D851607S

(12) **United States Design Patent**
Chen

(10) **Patent No.:** **US D851,607 S**
(45) **Date of Patent:** **** Jun. 18, 2019**

- (54) **HANDHELD CONTROLLER**
- (71) Applicant: **TIMOTION TECHNOLOGY CO., LTD.**, New Taipei (TW)
- (72) Inventor: **Yi-Chun Chen**, New Taipei (TW)
- (73) Assignee: **TIMOTION TECHNOLOGY CO., LTD.**, New Taipei (TW)
- (**) Term: **15 Years**
- (21) Appl. No.: **29/661,690**
- (22) Filed: **Aug. 29, 2018**
- (51) **LOC (11) Cl.** **14-03**
- (52) **U.S. Cl.**
USPC **D13/168**
- (58) **Field of Classification Search**
USPC D13/168; D14/218; D24/200
CPC .. A47C 31/008; A61G 13/02; G07C 9/00944;
G08C 17/00; G08C 17/02; H04B 1/202;
H01H 9/02; H01H 9/0214; H01H 9/0235;
H01H 9/0242
See application file for complete search history.

- (56) **References Cited**
U.S. PATENT DOCUMENTS
D531,136 S * 10/2006 Schoenert D13/168
D572,205 S * 7/2008 Landerholm D13/168
D600,654 S * 9/2009 Liao D13/164
D611,433 S * 3/2010 Tang D13/168
D617,744 S * 6/2010 Landerholm D13/168
D710,315 S * 8/2014 Tsai D13/168
D816,621 S * 5/2018 Williams D13/168
D817,279 S * 5/2018 Lin D13/123

- 2009/0095602 A1* 4/2009 Jensen H01H 9/0214
200/42.02
- 2009/0160672 A1* 6/2009 Winther H01H 9/0214
340/4.31
- 2010/0213042 A1* 8/2010 Smidt A47C 31/008
200/5 A
- 2014/0325760 A1* 11/2014 Murai A61G 7/018
5/616
- 2015/0082548 A1* 3/2015 Boyd G05D 7/0617
5/710
- 2016/0275785 A1* 9/2016 Hille A47C 31/008
- 2016/0286965 A1* 10/2016 Koch A47C 31/008

* cited by examiner

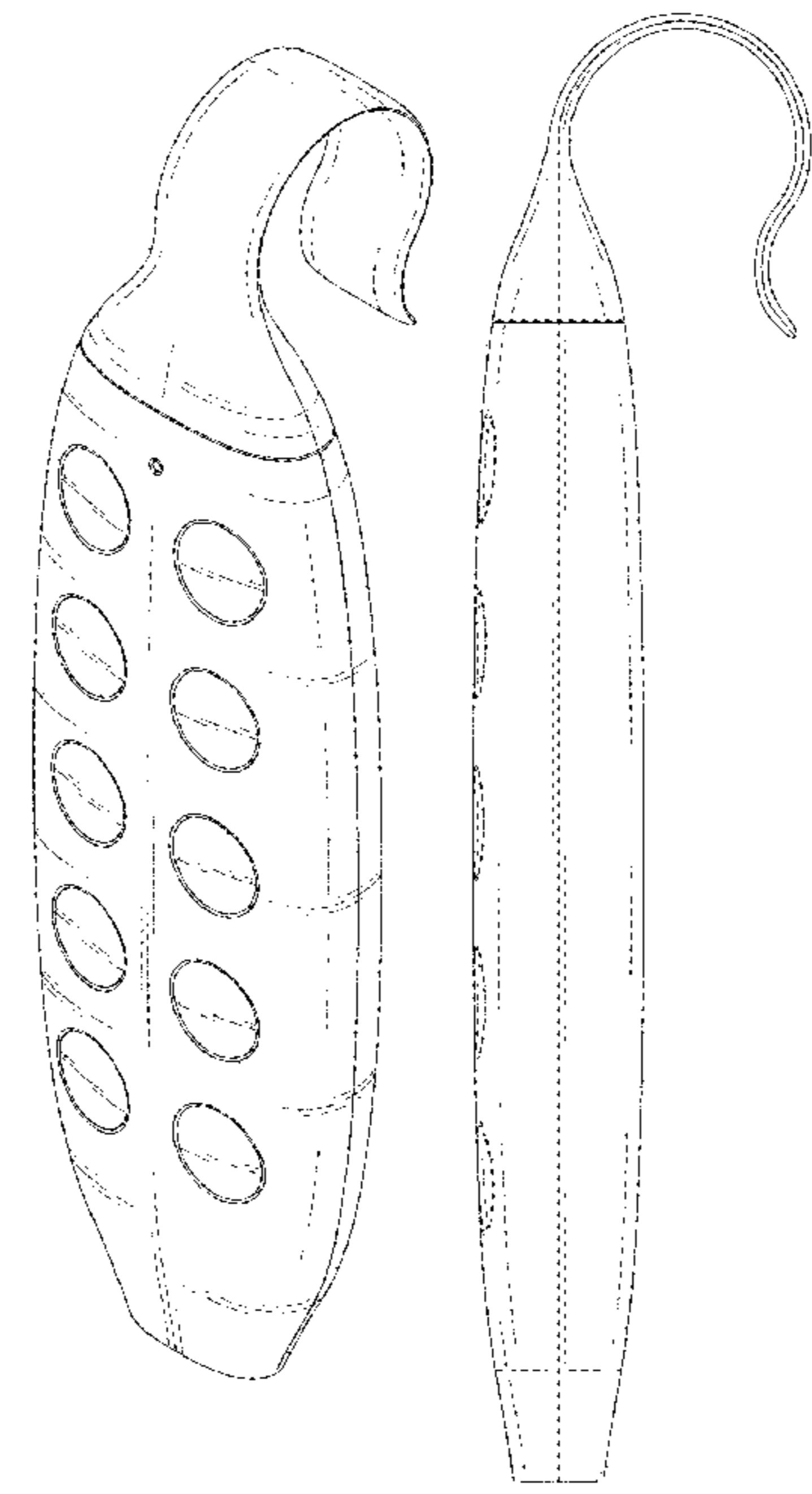
Primary Examiner — Selina Sikder
(74) *Attorney, Agent, or Firm* — Chun-Ming Shih; HDLS IPR Services

(57) **CLAIM**
The ornamental design for a handheld controller, as shown and described.

DESCRIPTION

FIG. 1 is a perspective view of a handheld controller showing my new design;
FIG. 2 is a front view thereof;
FIG. 3 is a rear view thereof;
FIG. 4 is a left side view thereof;
FIG. 5 is a right side view thereof;
FIG. 6 is a top view thereof;
FIG. 7 is a bottom view thereof; and,
FIG. 8 is a perspective view showing the handheld controller for reference.
The broken lines shown represent unclaimed subject matter and form no part of the claimed design.

1 Claim, 8 Drawing Sheets



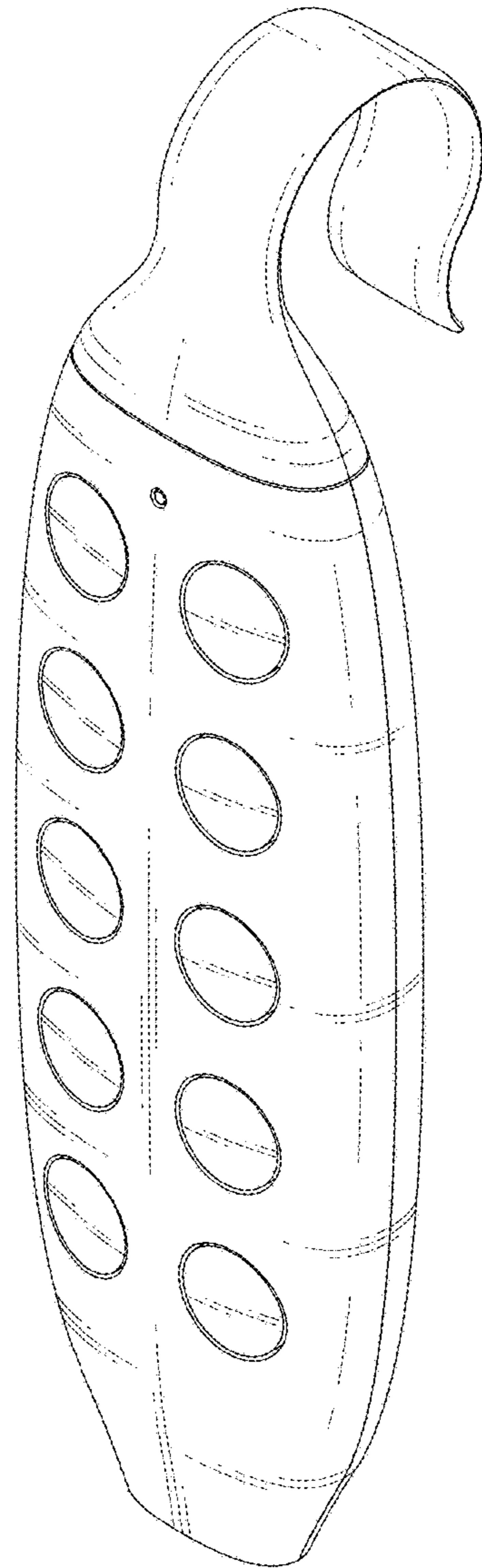


FIG.1

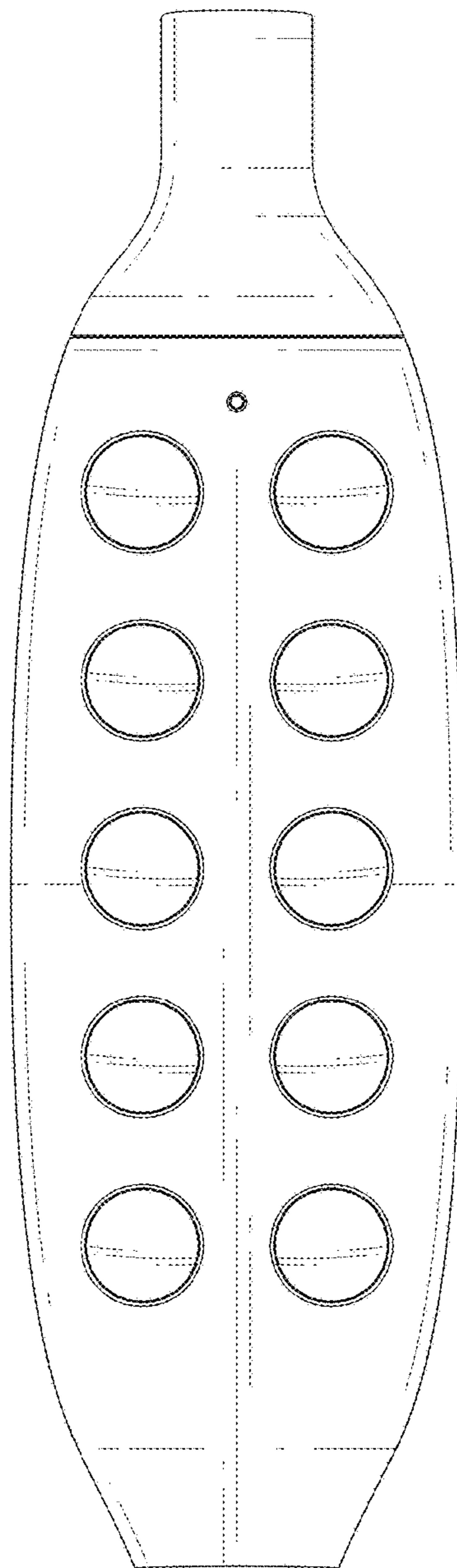


FIG.2

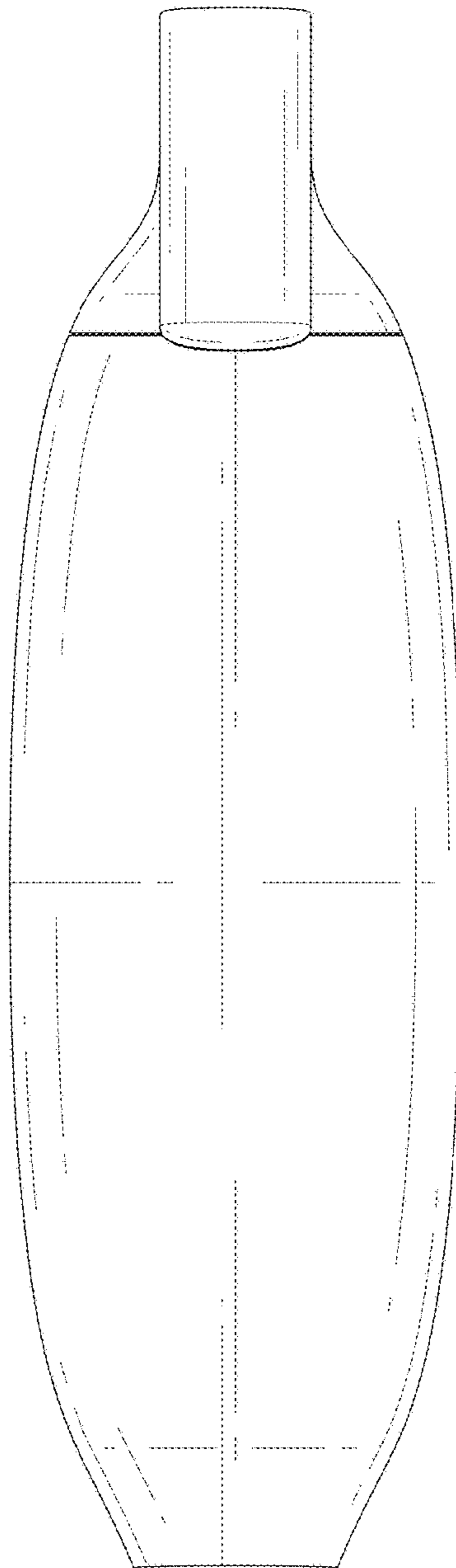


FIG.3

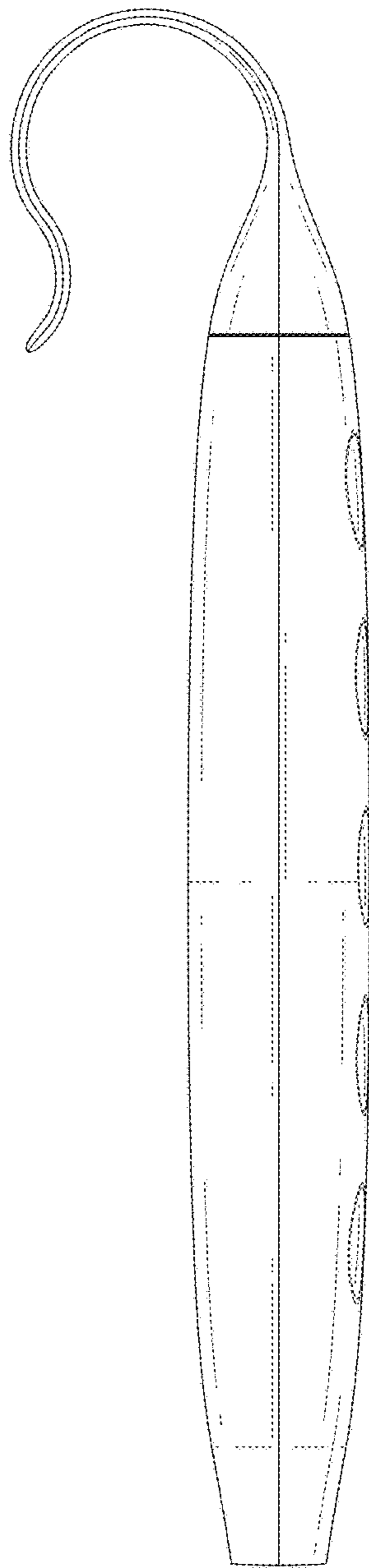


FIG.4

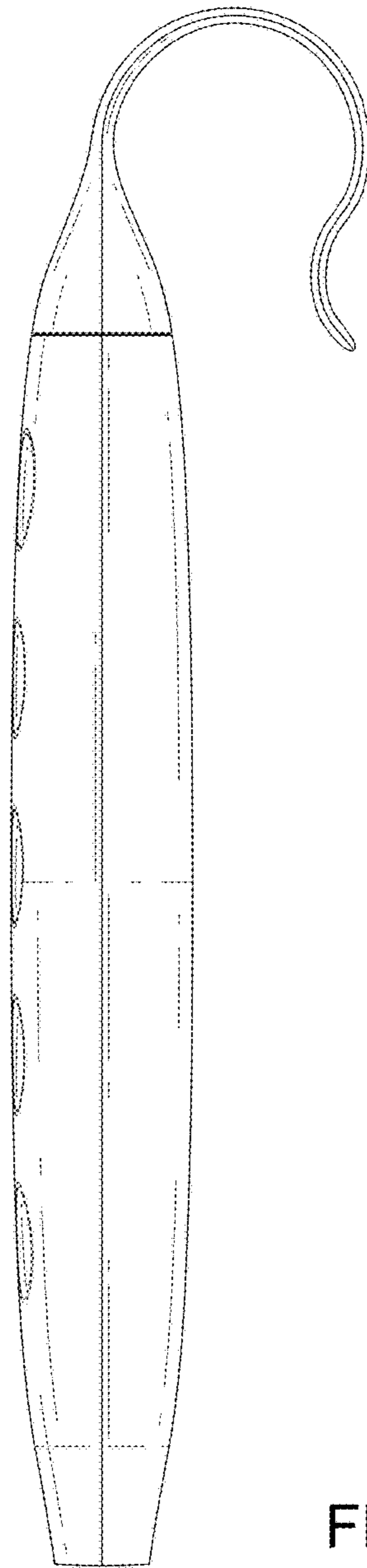


FIG.5

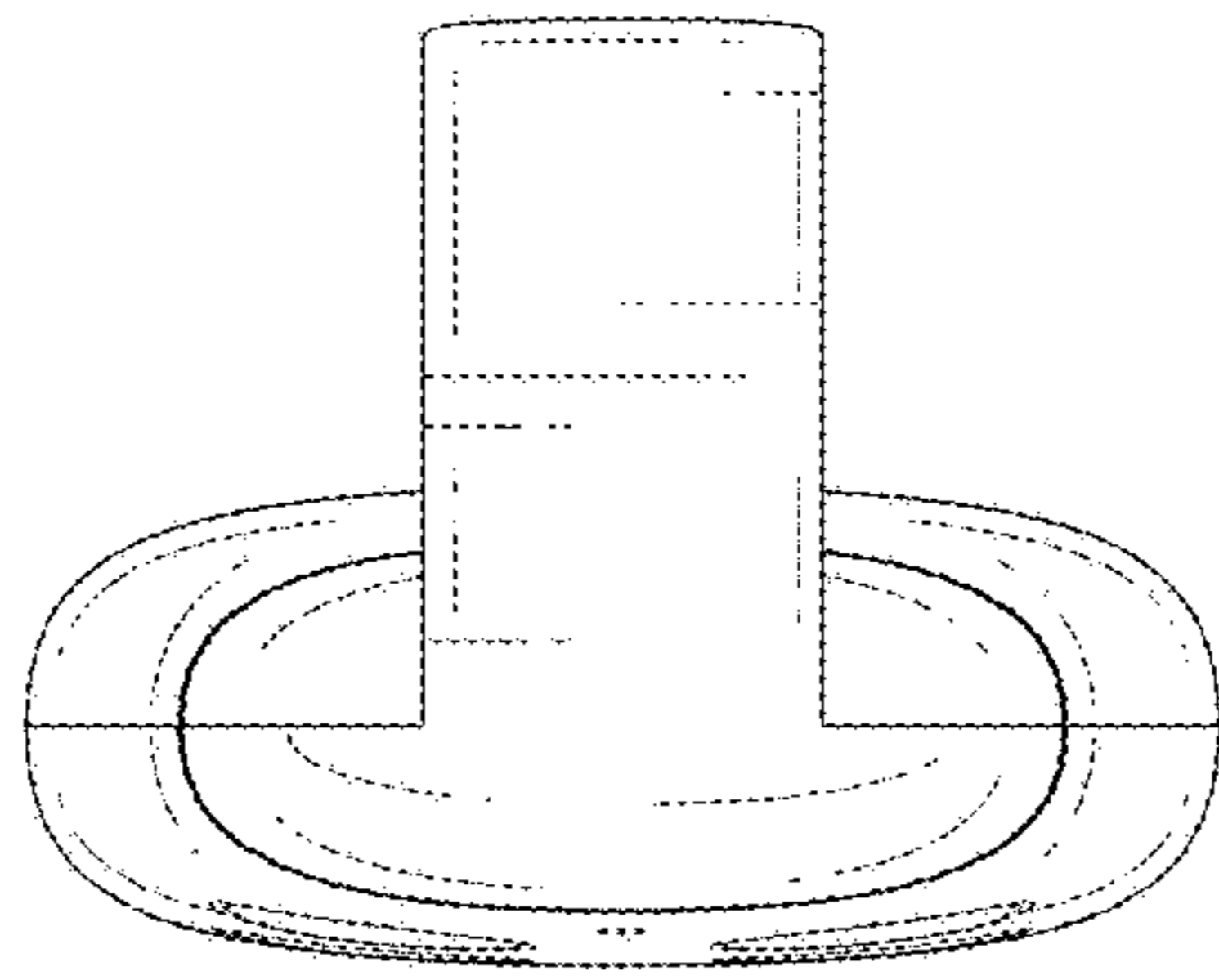


FIG.6

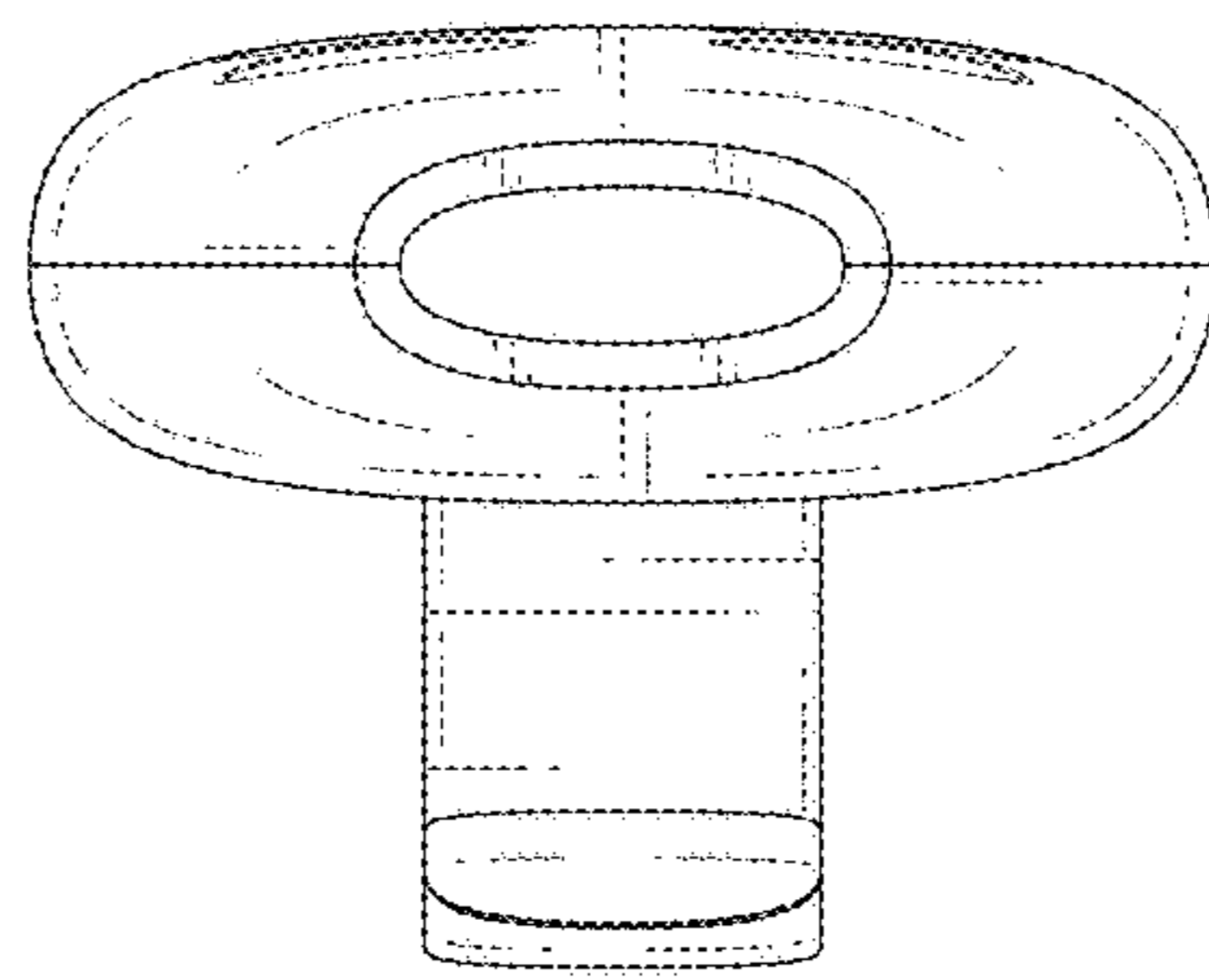


FIG.7

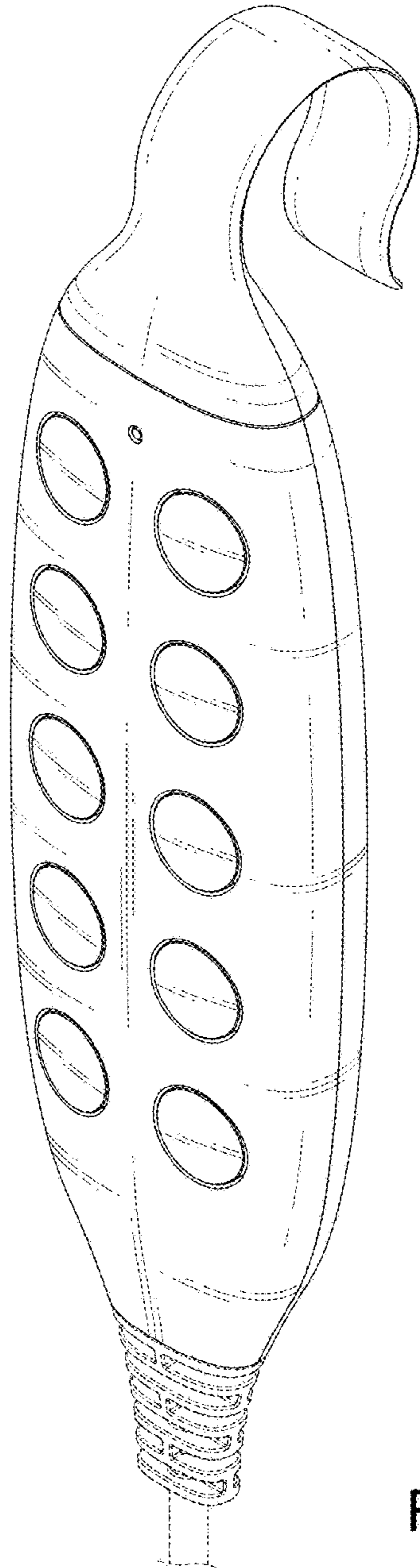


FIG.8