



US00D851603S

(12) **United States Design Patent**
Shen

(10) **Patent No.:** **US D851,603 S**
(45) **Date of Patent:** **** Jun. 18, 2019**

(54) **CONTROLLER**

(71) Applicant: **TIMOTION TECHNOLOGY CO., LTD.**, New Taipei (TW)

(72) Inventor: **Bo-Yen Shen**, New Taipei (TW)

(73) Assignee: **TIMOTION TECHNOLOGY CO., LTD.**, New Taipei (TW)

(**) Term: **15 Years**

(21) Appl. No.: **29/643,251**

(22) Filed: **Apr. 5, 2018**

(30) **Foreign Application Priority Data**

Mar. 13, 2018 (CN) 2018 3 0092522

(51) **LOC (11) Cl.** **13-03**

(52) **U.S. Cl.**
USPC **D13/162**

(58) **Field of Classification Search**
USPC D13/139.4, 158, 162, 164; D14/305
CPC .. H01H 3/00; H01H 3/02; H01H 3/04; H01H 3/06; H01H 9/02; H01H 13/02; H01H 13/04; H01H 13/10; H01H 13/86; H01H 21/22; H01H 21/24; A47C 1/0345; A47C 1/035; A47B 21/02; A47B 9/00; A61G 13/02; A61G 7/018; G05B 15/02
See application file for complete search history.

(56) **References Cited**

U.S. PATENT DOCUMENTS

4,440,096 A * 4/1984 Rice A47B 9/04
108/147
6,595,144 B1 * 7/2003 Doyle A47B 9/00
108/147
8,312,578 B2 * 11/2012 L'Hegarar A61G 13/02
180/65.1
D678,217 S * 3/2013 Helm D13/162

D678,847 S * 3/2013 Helm D13/162
D689,825 S * 9/2013 Wenji D13/162
D740,763 S * 10/2015 Wenji D13/162
D820,221 S * 6/2018 Yang D13/164
10,028,576 B1 * 7/2018 Yao A47B 21/02
D825,493 S * 8/2018 Chen D13/164
D833,981 S * 11/2018 Seal D13/162
2008/0245279 A1 * 10/2008 Pan A47B 9/00
108/144.11
2013/0199419 A1 * 8/2013 Hjelm A47B 9/00
108/20
2015/0246404 A1 * 9/2015 Teraoka B23K 3/08
219/129
2016/0309889 A1 * 10/2016 Lin A47B 9/00

* cited by examiner

Primary Examiner — Selina Sikder

(74) *Attorney, Agent, or Firm* — Chun-Ming Shih; HDLS IPR Services

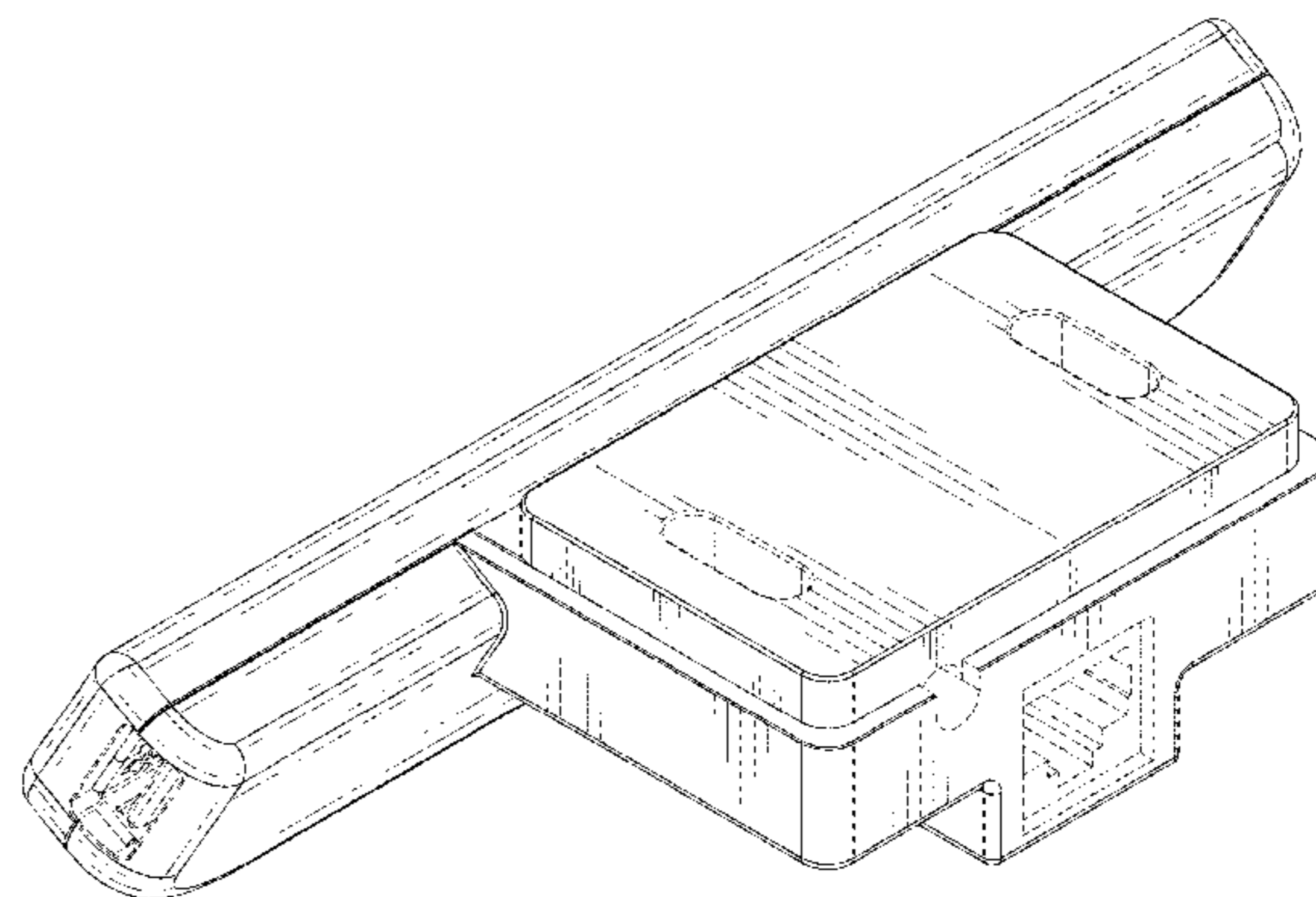
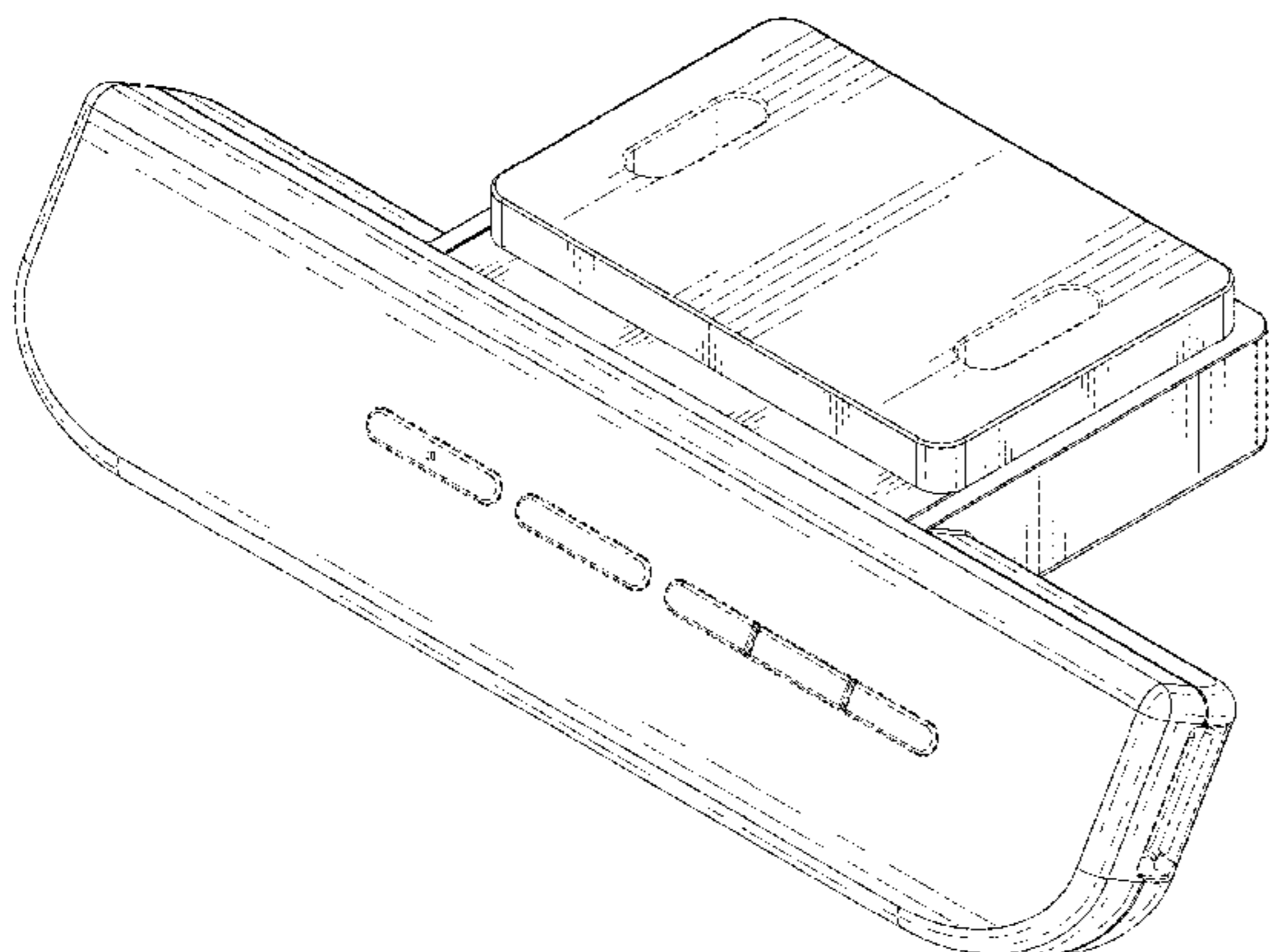
(57) **CLAIM**

The ornamental design for a controller, as shown and described.

DESCRIPTION

FIG. 1 is a perspective view of a controller showing my new design;
FIG. 2 is a front view thereof;
FIG. 3 is a rear view thereof;
FIG. 4 is a left side view thereof;
FIG. 5 is a right side view thereof;
FIG. 6 is a top view thereof;
FIG. 7 is a bottom view thereof; and,
FIG. 8 is second perspective view showing the controller; and,
FIG. 9 is third perspective view showing the controller.
The broken lines shown represent unclaimed subject matter and form no part of the claimed design.

1 Claim, 6 Drawing Sheets



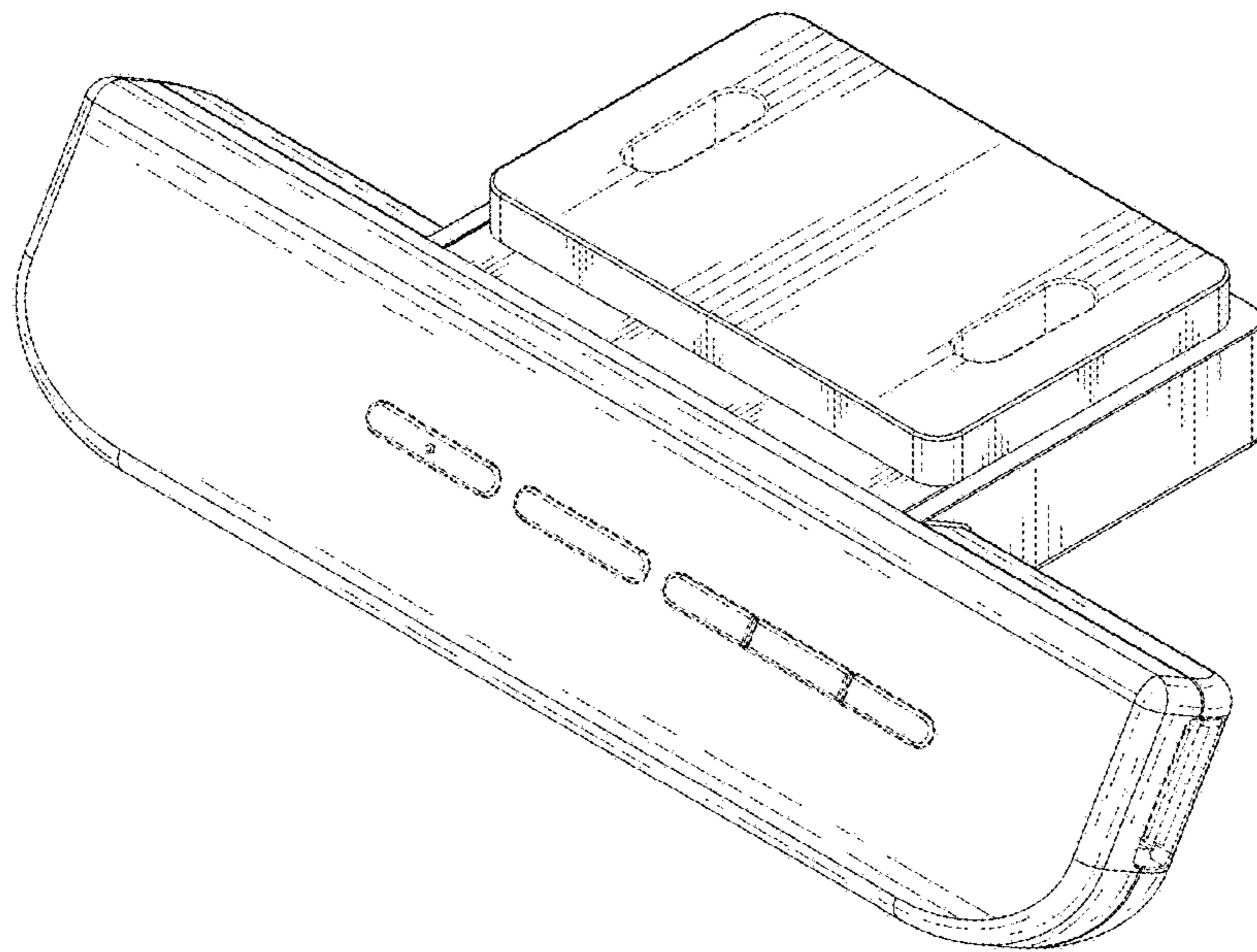


FIG.1

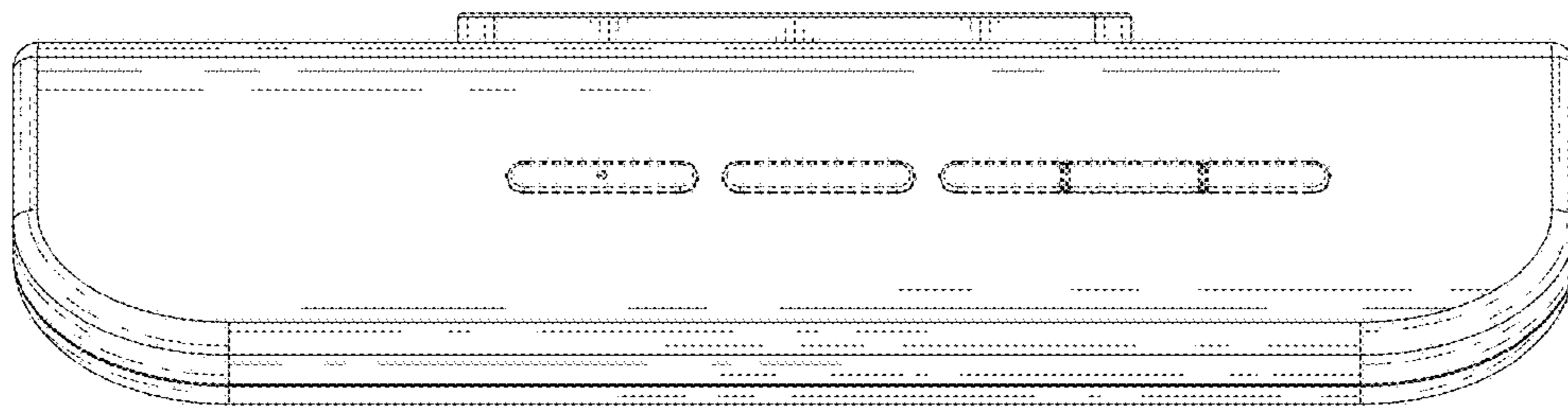


FIG.2

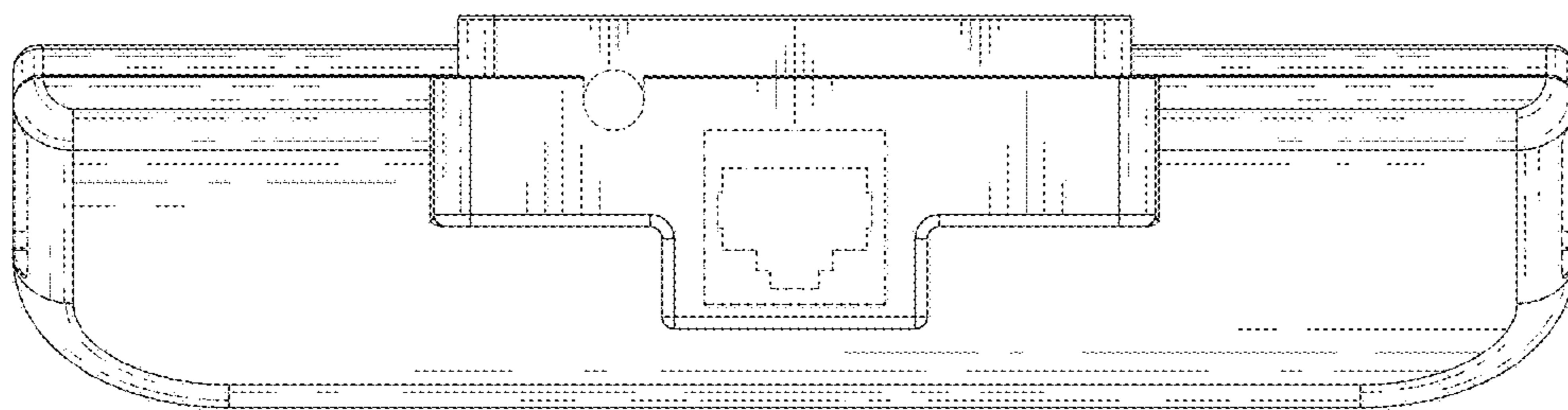


FIG.3

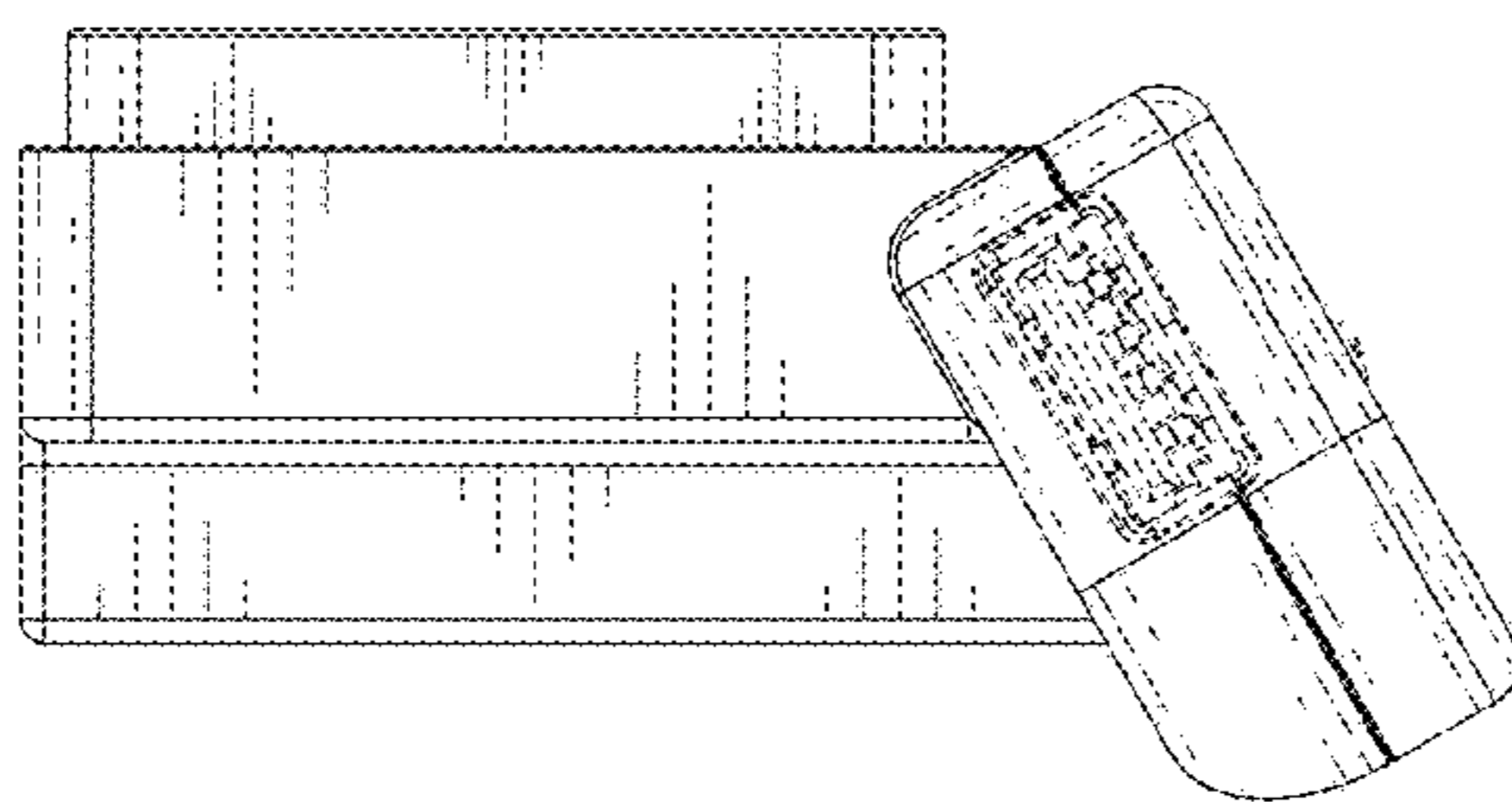


FIG. 4

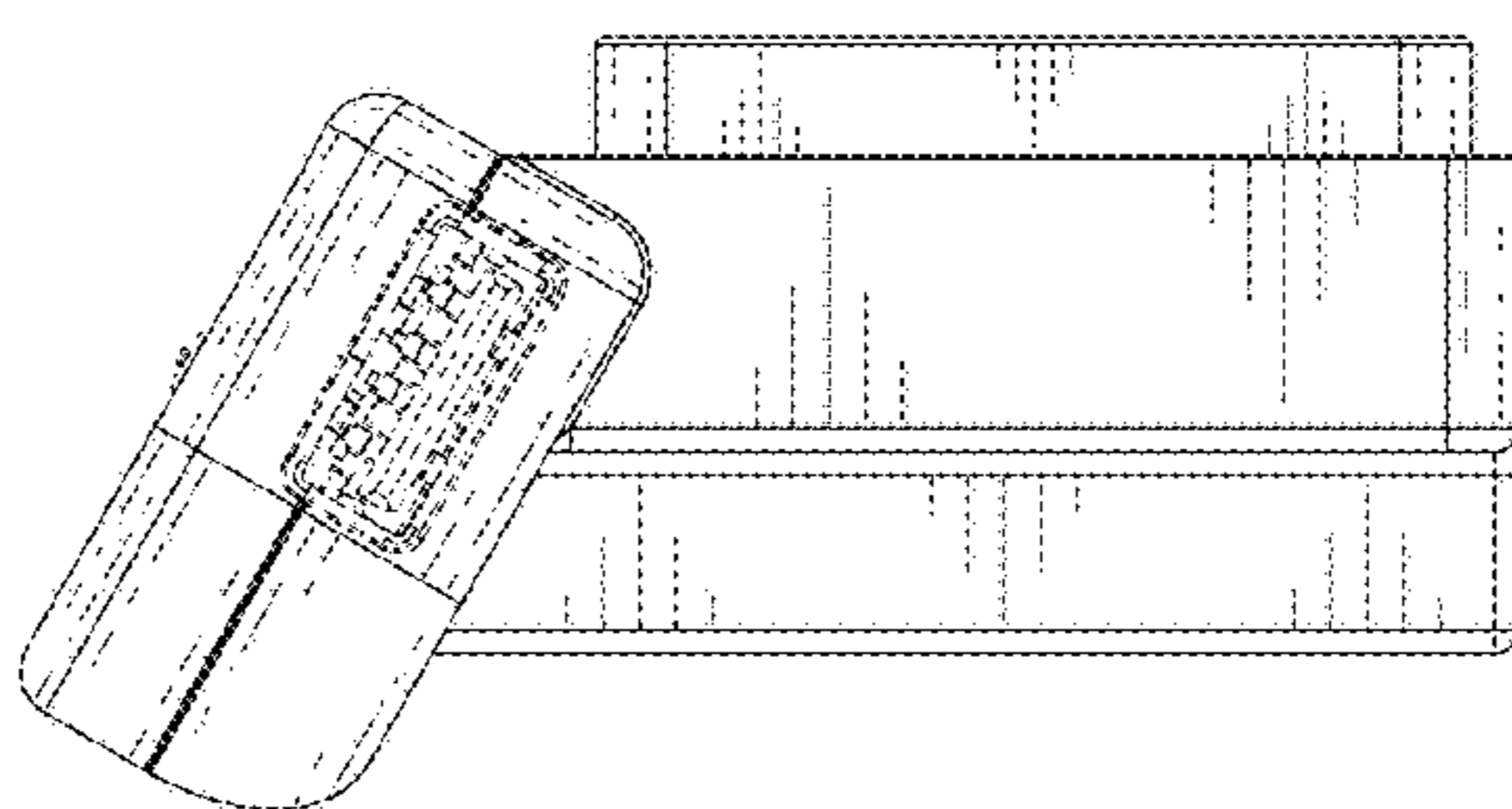


FIG. 5

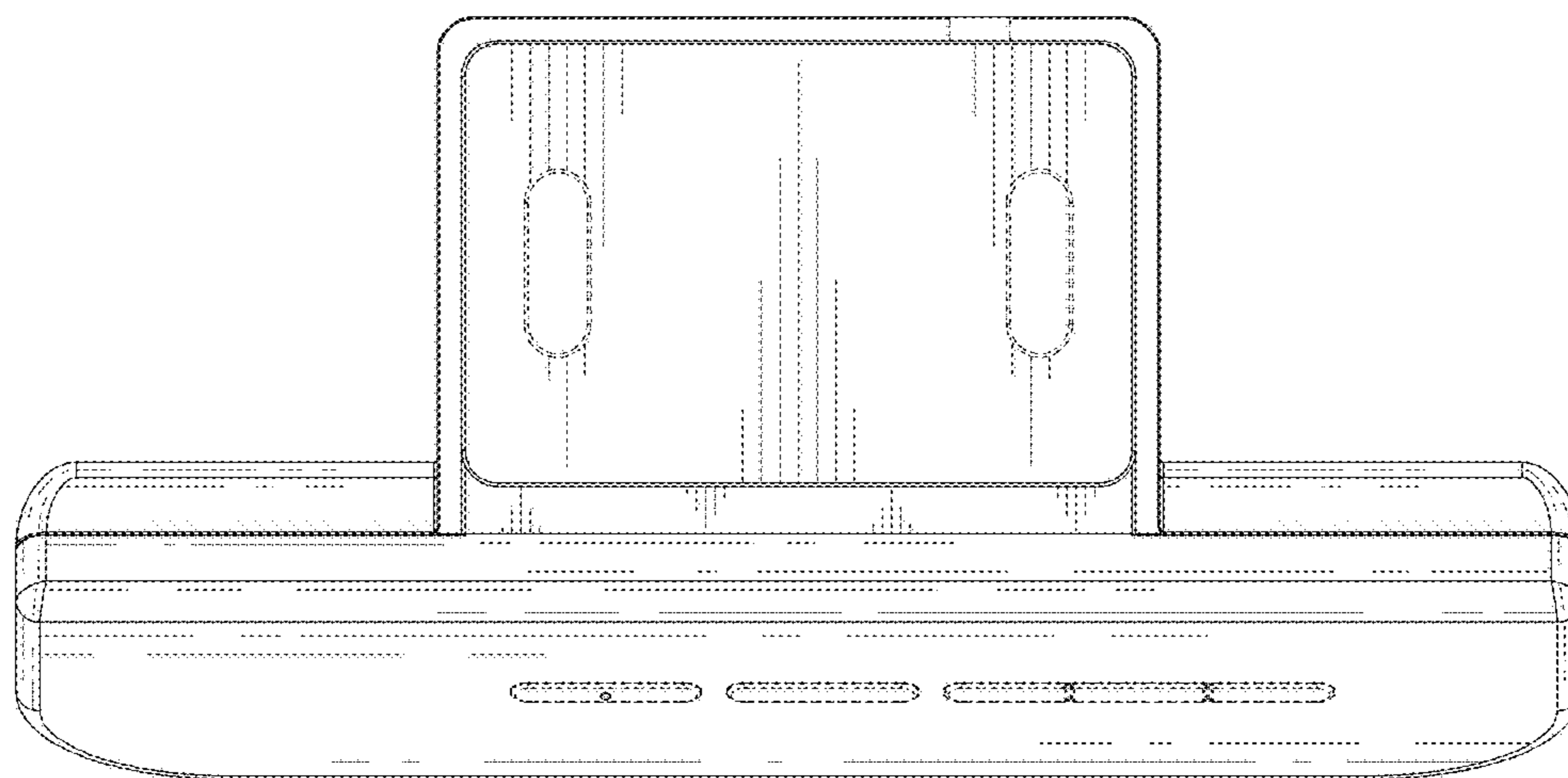


FIG. 6

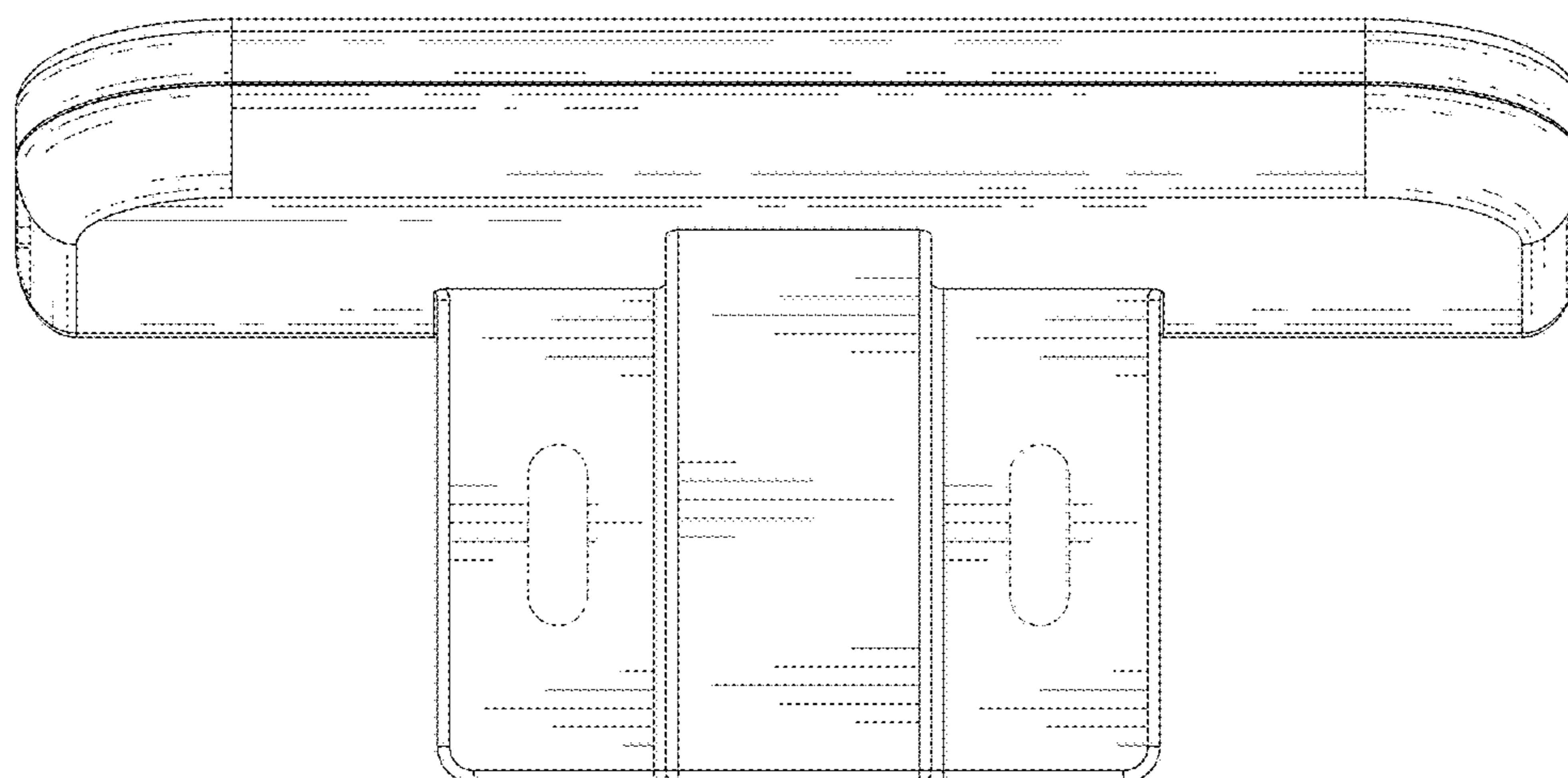


FIG. 7

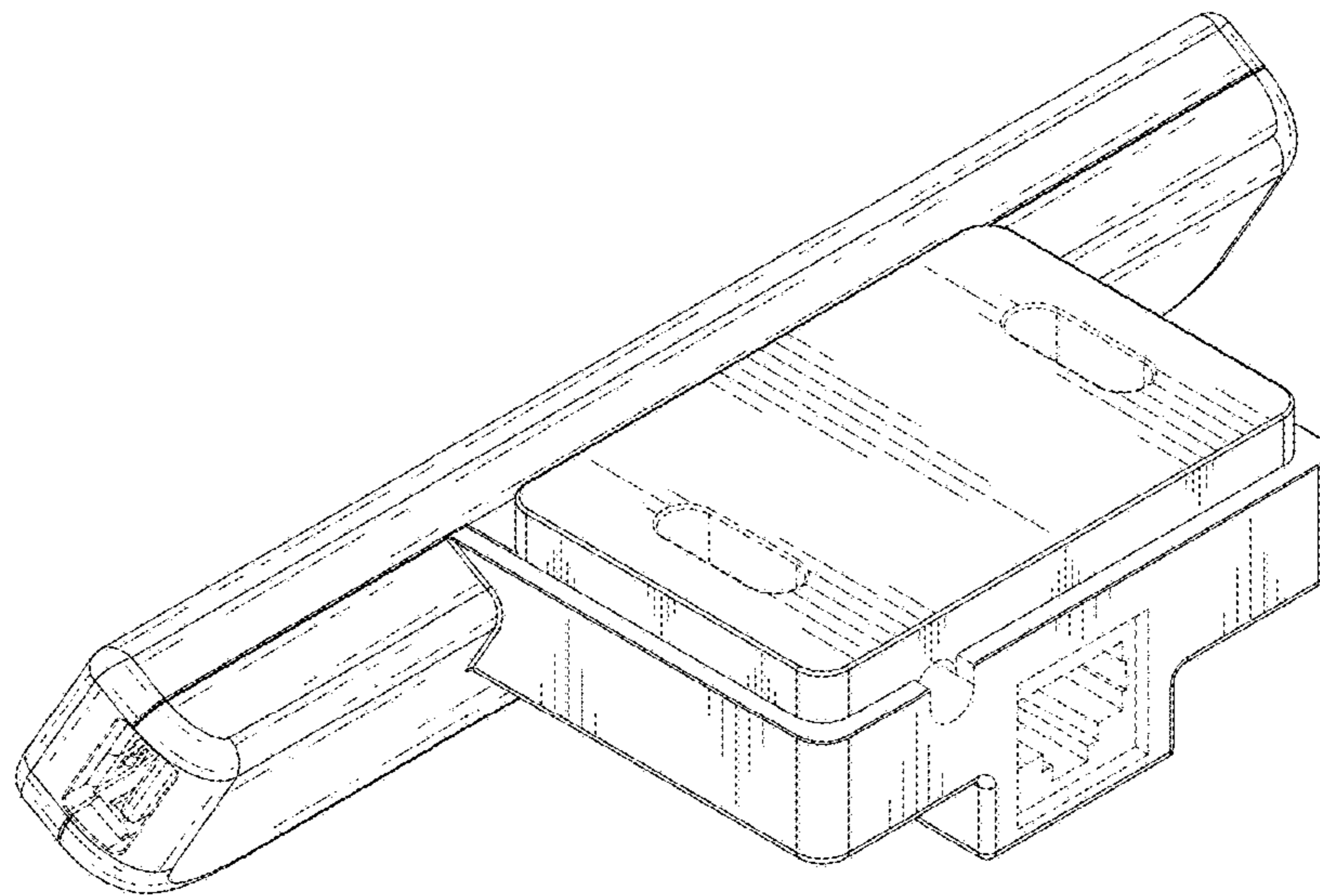


FIG.8

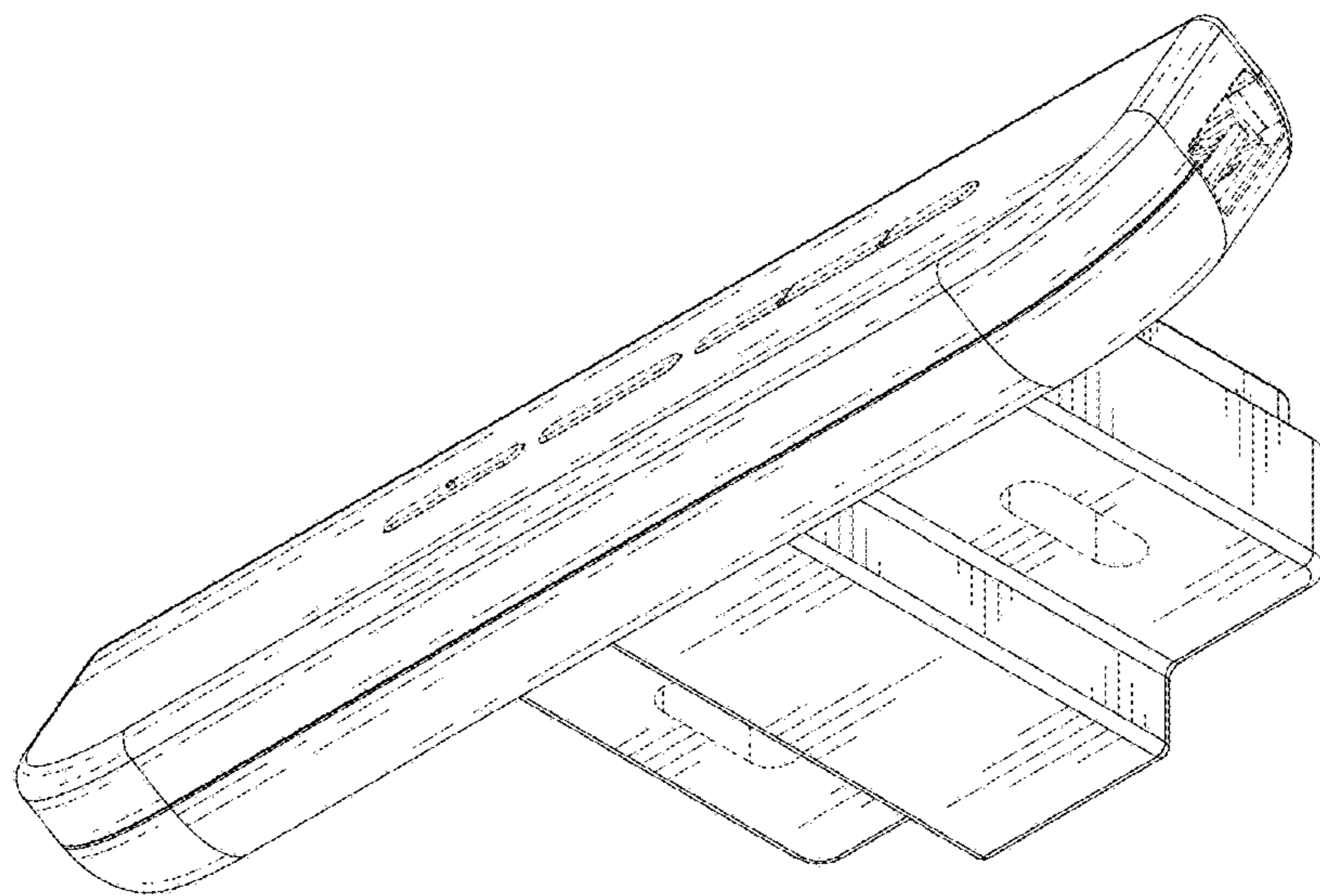


FIG.9