



US00D851602S

(12) **United States Design Patent**  
**Chen**

(10) **Patent No.:** **US D851,602 S**  
(45) **Date of Patent:** **\*\* Jun. 18, 2019**

(54) **DUPLEX RECEPTACLE WITH NIGHTLIGHT**

(71) Applicant: **SHENZHEN ANHAORUIHE ELECTRONICS CO., LTD**, Shenzhen (CN)

(72) Inventor: **Xinjiao Chen**, Shenzhen (CN)

(73) Assignee: **SHENZHEN ANHAORUIHE ELECTRONICS CO., LTD**, Shenzhen (CN)

(\*\*) Term: **15 Years**

(21) Appl. No.: **29/676,651**

(22) Filed: **Jan. 13, 2019**

(51) **LOC (11) Cl.** ..... **13-03**

(52) **U.S. Cl.**  
USPC ..... **D13/156**

(58) **Field of Classification Search**  
USPC ..... D13/156, 139.1, 137.3, 169, 110, 137.2, D13/152, 154, 177; D8/353  
CPC .... H01R 13/447; H01R 13/665; H01R 13/73; H01R 31/06; H01R 31/065  
See application file for complete search history.

(56) **References Cited**

**U.S. PATENT DOCUMENTS**

D505,758 S *	5/2005	Rohmer	.....	D13/156
D538,234 S	3/2007	Aupperle		
7,361,051 B2 *	4/2008	Gorman	.....	H01H 11/0006 439/49
D604,873 S *	11/2009	Richter	.....	D13/177
7,722,389 B2 *	5/2010	Benoit	.....	H01R 13/4534 439/143
8,031,482 B2 *	10/2011	Martich	.....	H01R 4/2416 174/489

D674,753 S *	1/2013	Jansen	.....	D13/139.1
D726,940 S *	4/2015	Goyal	.....	D13/177
D731,432 S *	6/2015	Murphy	.....	D13/139.1
D744,951 S	12/2015	Oosterman		
D755,129 S	5/2016	Page et al.		
D813,818 S *	3/2018	Ni	.....	D13/137.2

**OTHER PUBLICATIONS**

Amazon.com, Electek Advanced Receptacle, Dec. 2017, <https://www.amazon.com/ELECTEK-Advanced-Receptacle-Charging-Installation/dp/B0787DHHSR> (Year: 2017).\*

\* cited by examiner

*Primary Examiner* — Derrick E Holland

*Assistant Examiner* — Jennifer O King

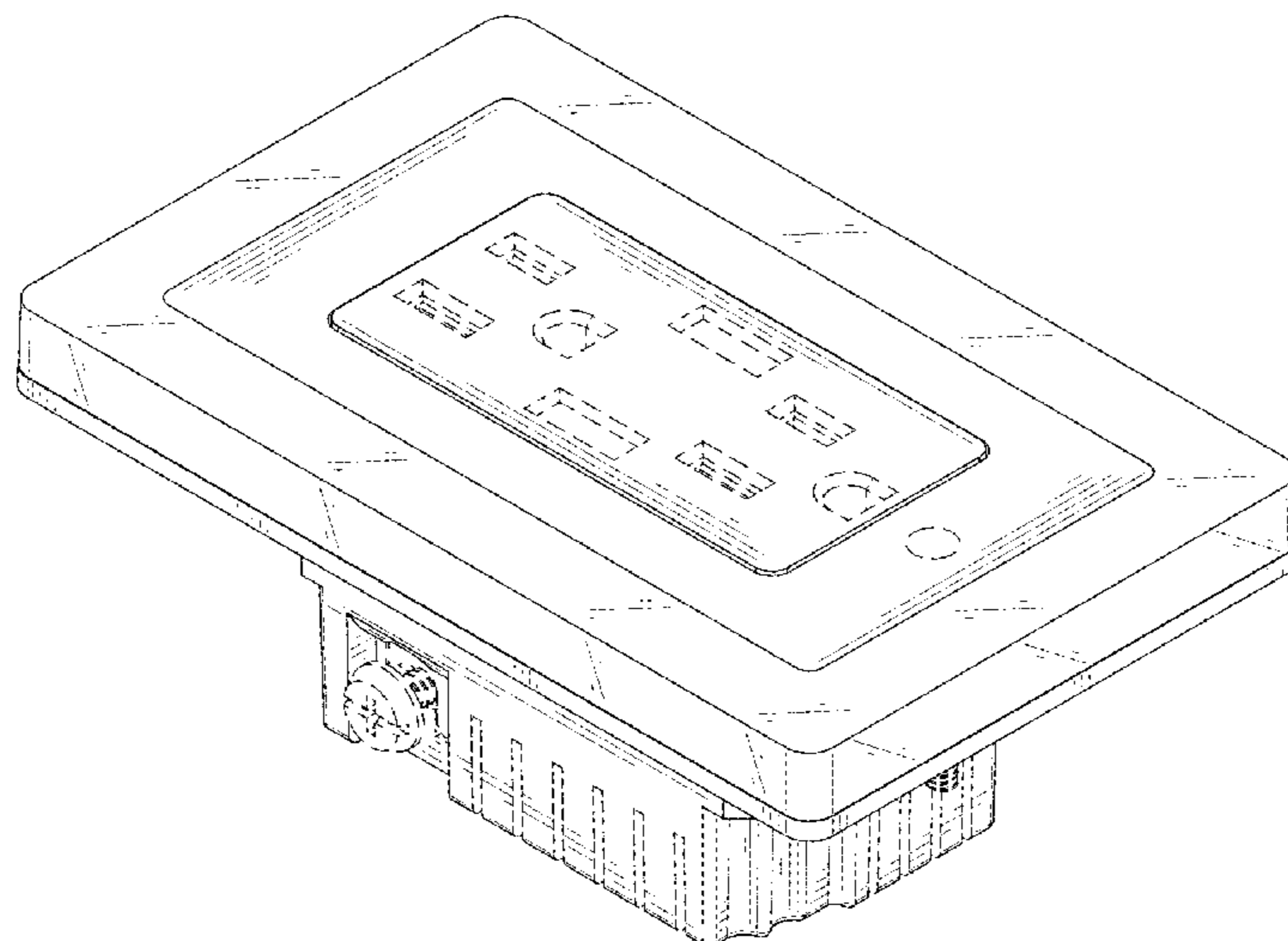
(57) **CLAIM**

The ornamental design for a duplex receptacle with night-light, as shown and described.

**DESCRIPTION**

FIG. 1 is a front perspective view of a duplex receptacle with nightlight showing my new design;  
FIG. 2 is a rear perspective view thereof;  
FIG. 3 is a front elevational view thereof;  
FIG. 4 is a rear elevational view thereof;  
FIG. 5 is a left side elevational view thereof;  
FIG. 6 is a right side elevational view thereof;  
FIG. 7 is a top plan view thereof; and,  
FIG. 8 is a bottom plan view thereof.  
The broken lines in the drawings depict portions of the duplex receptacle with nightlight that form no part of the claimed design.

**1 Claim, 8 Drawing Sheets**



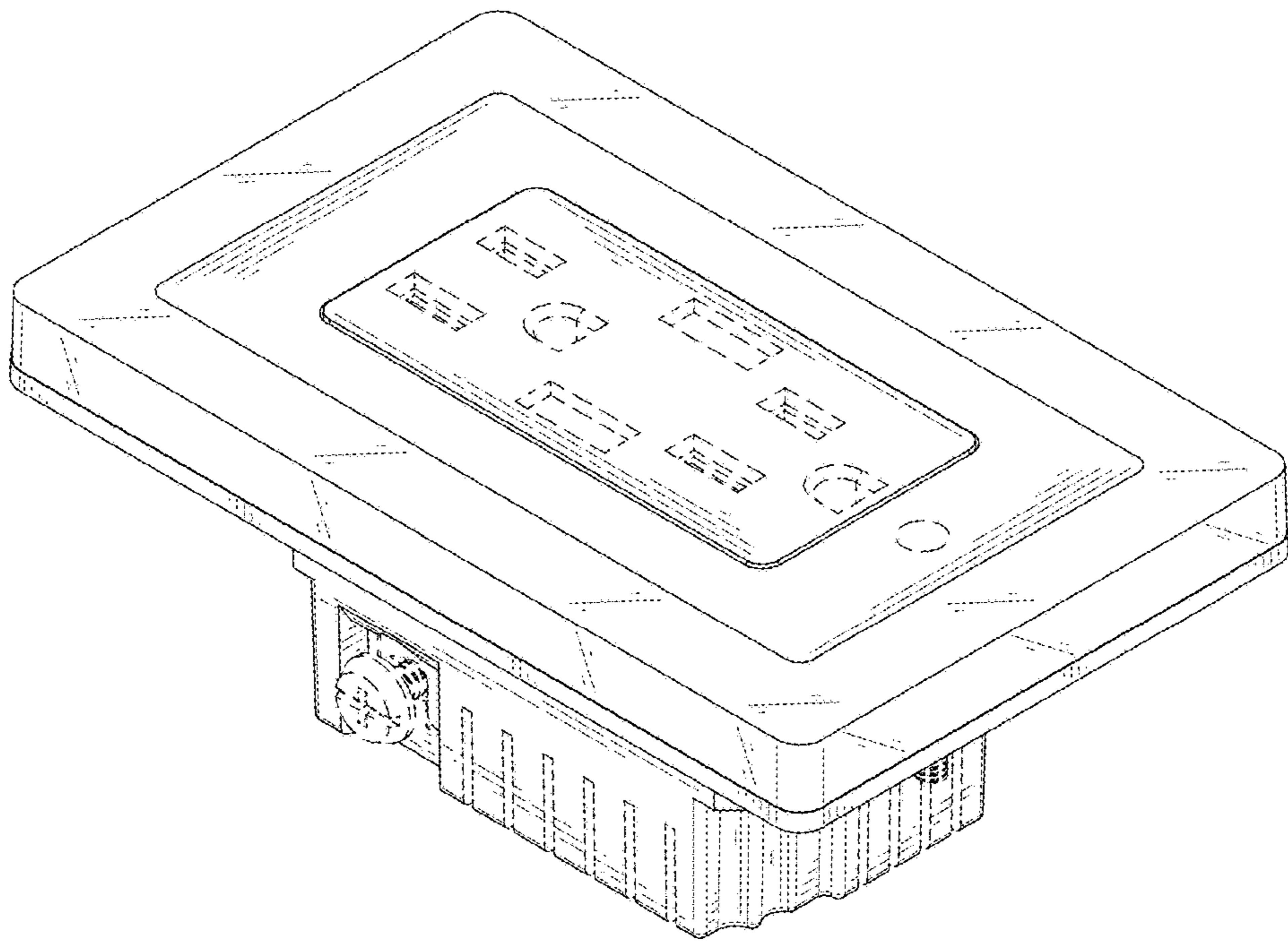


FIG. 1

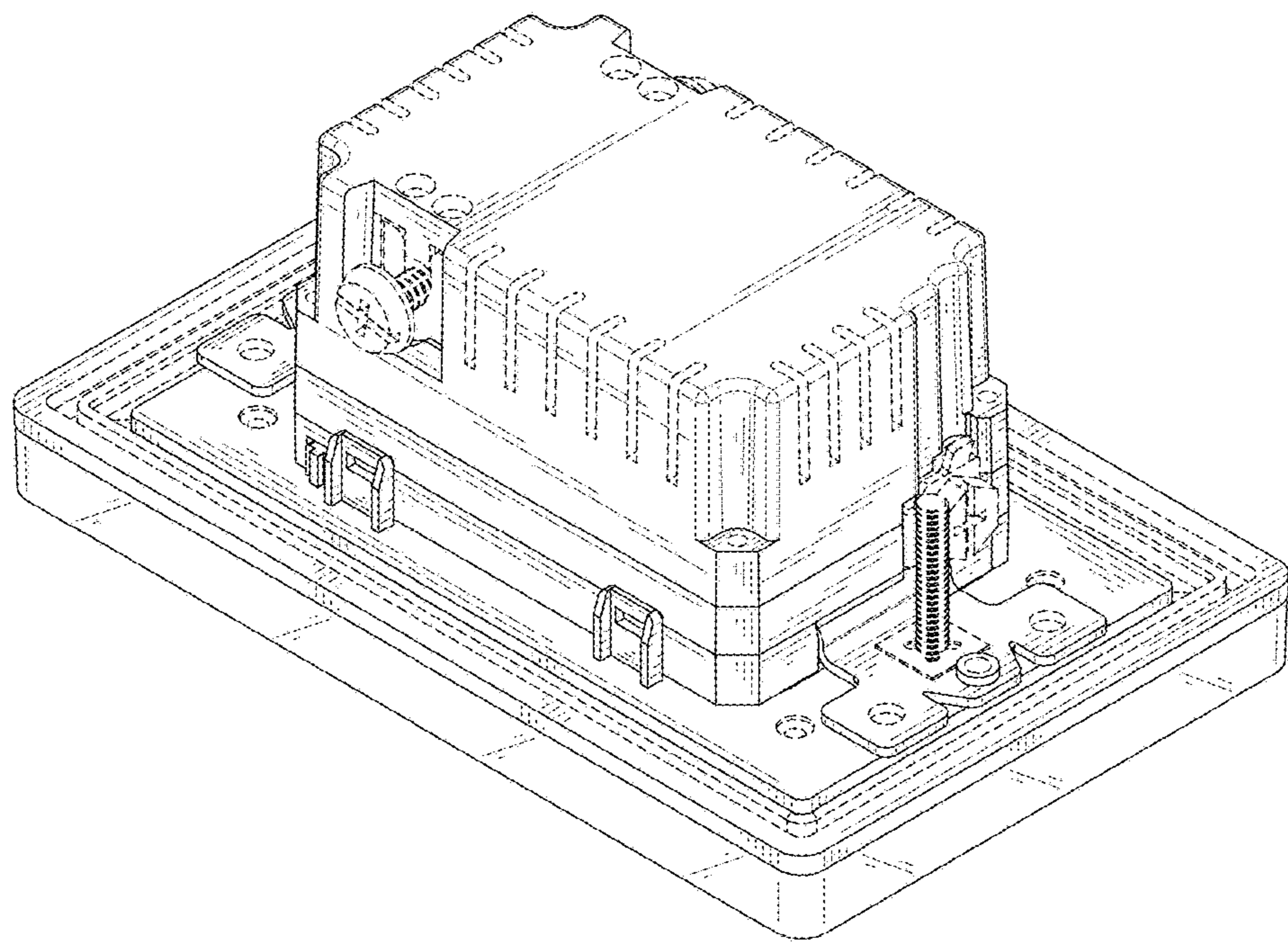


FIG. 2

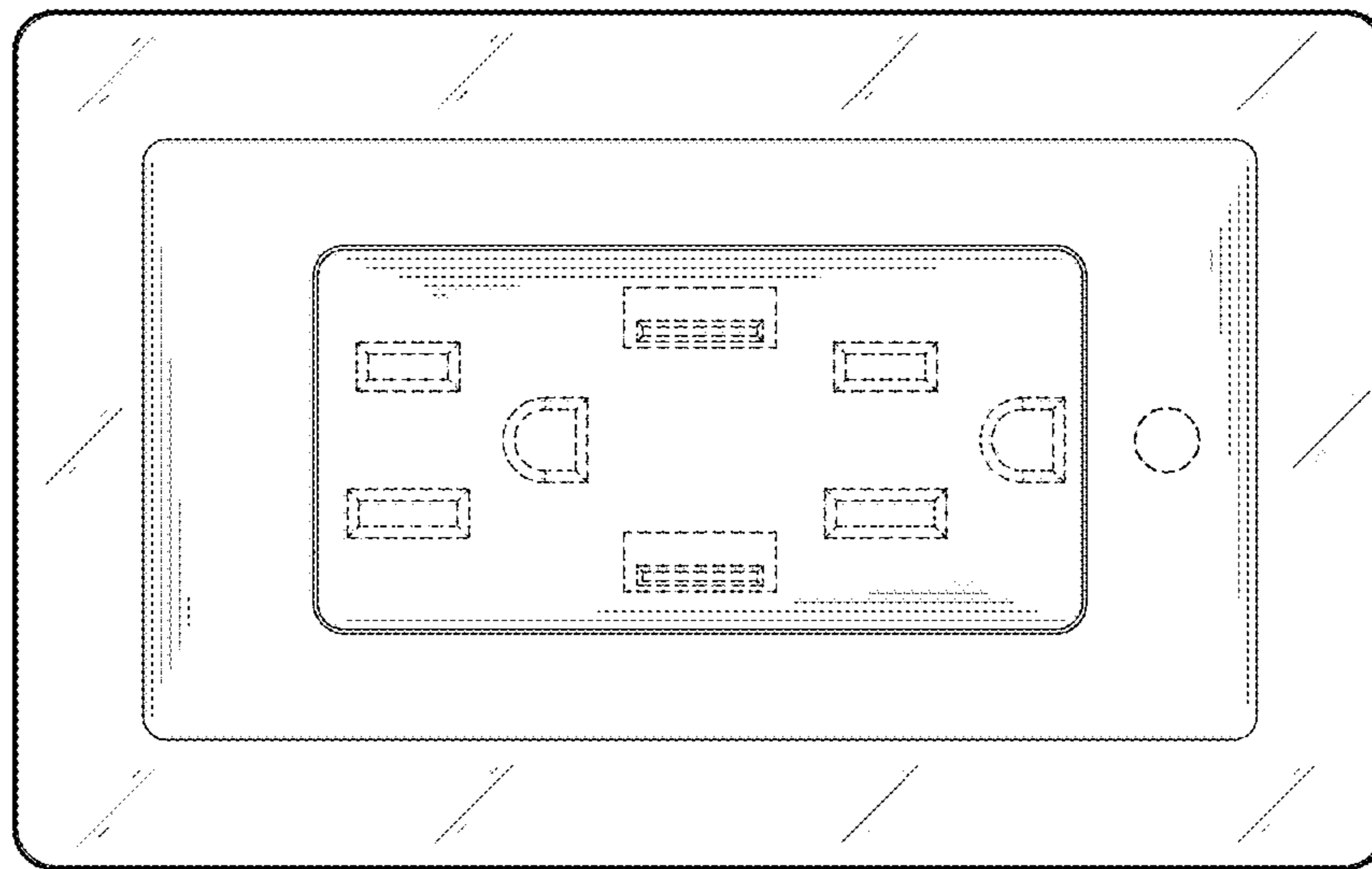


FIG. 3

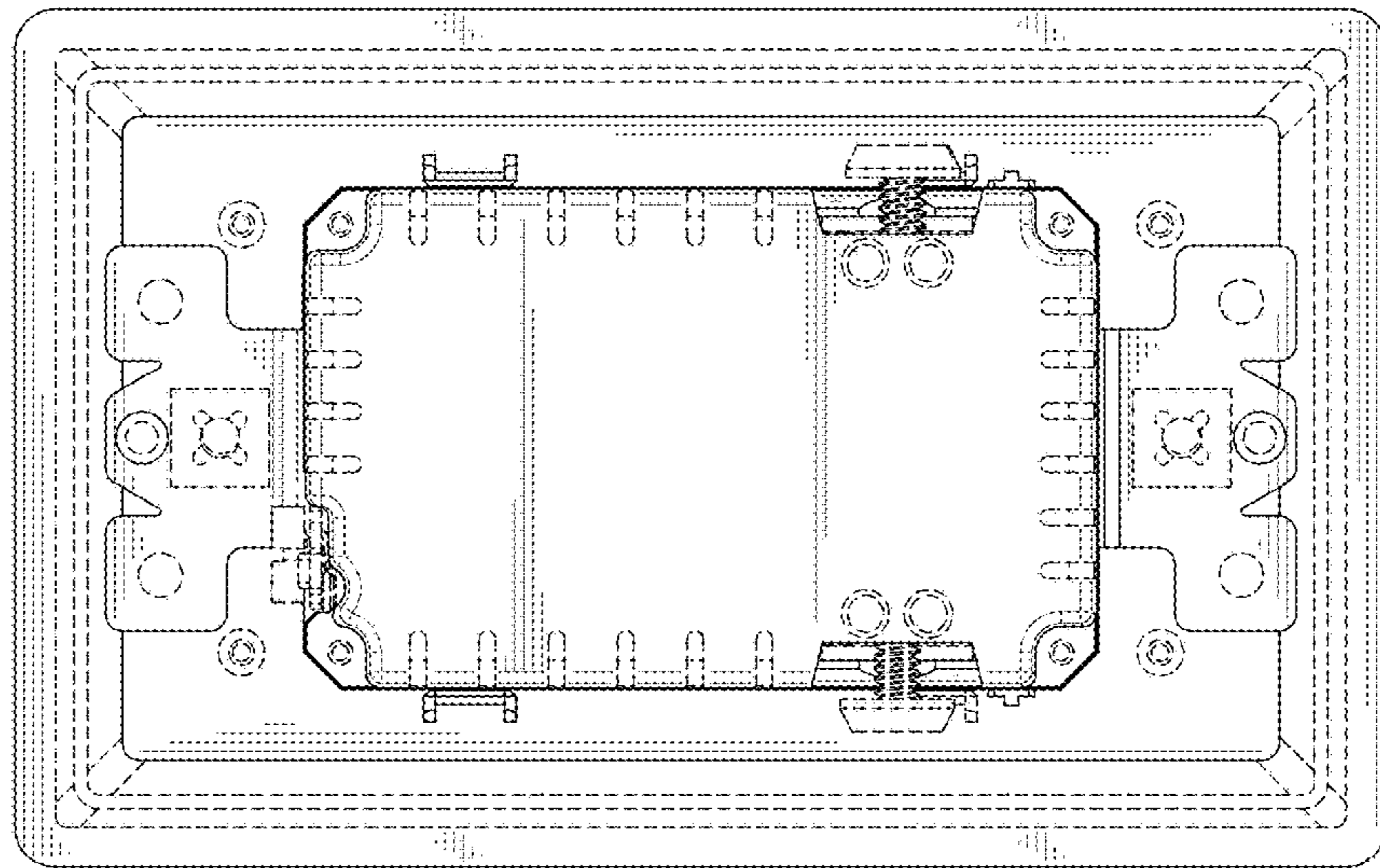


FIG. 4

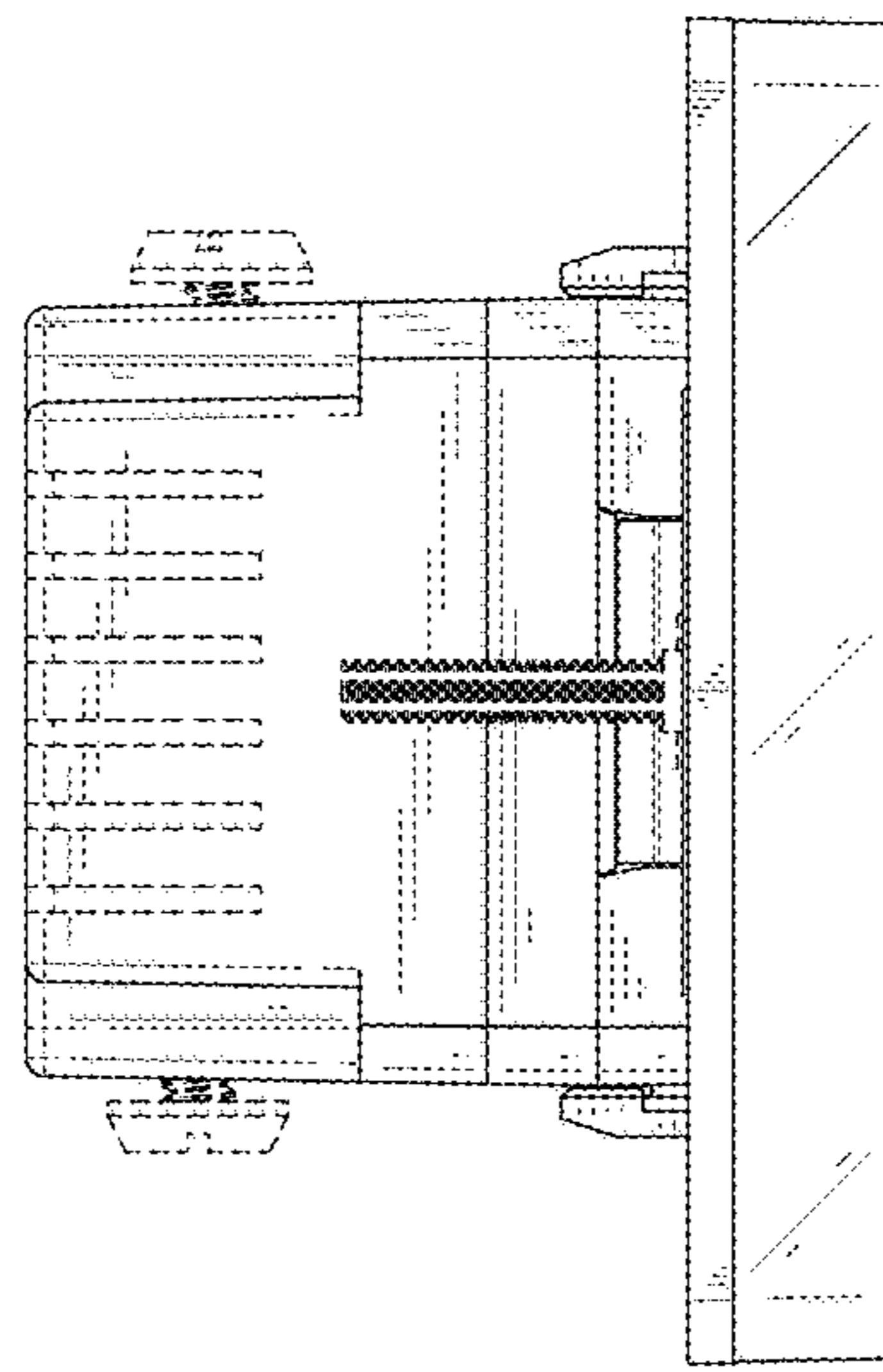


FIG. 5

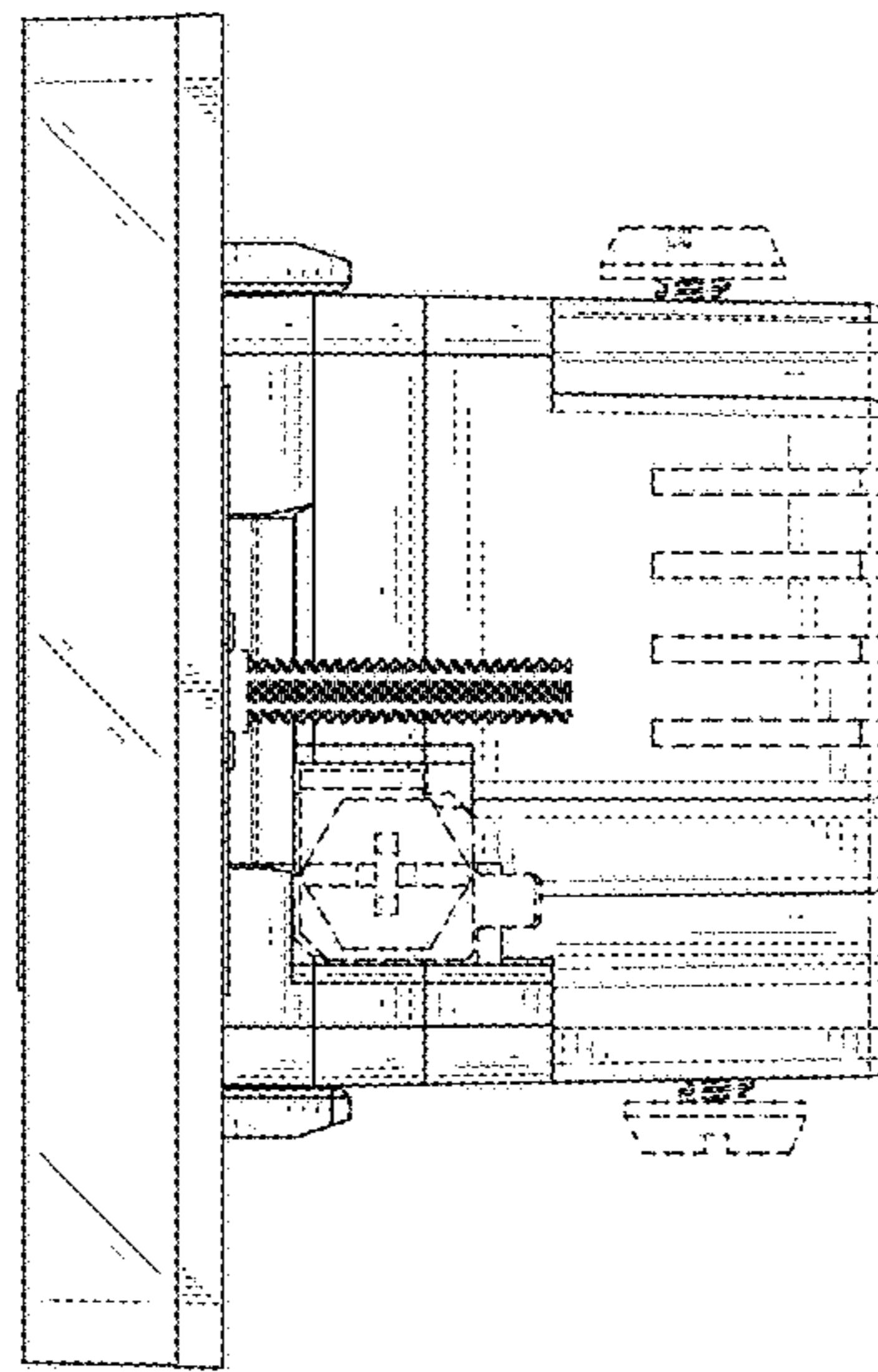


FIG. 6

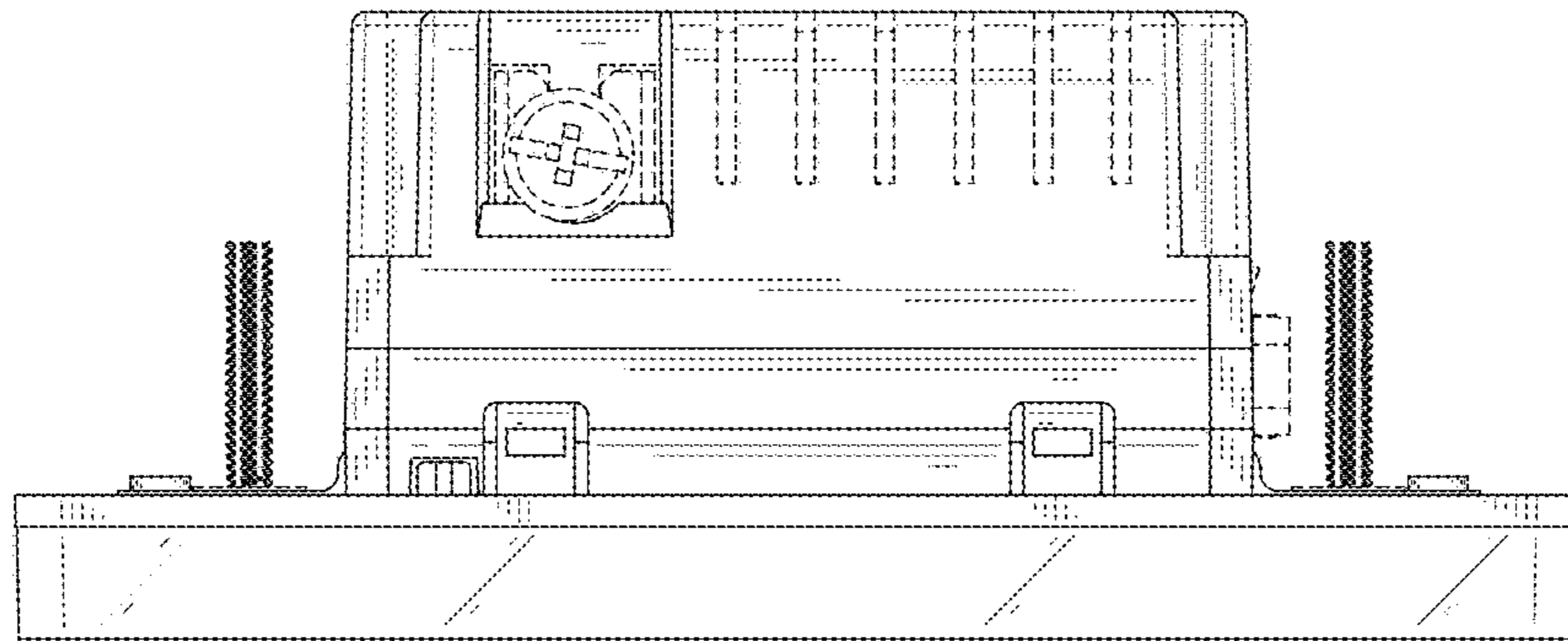


FIG. 7



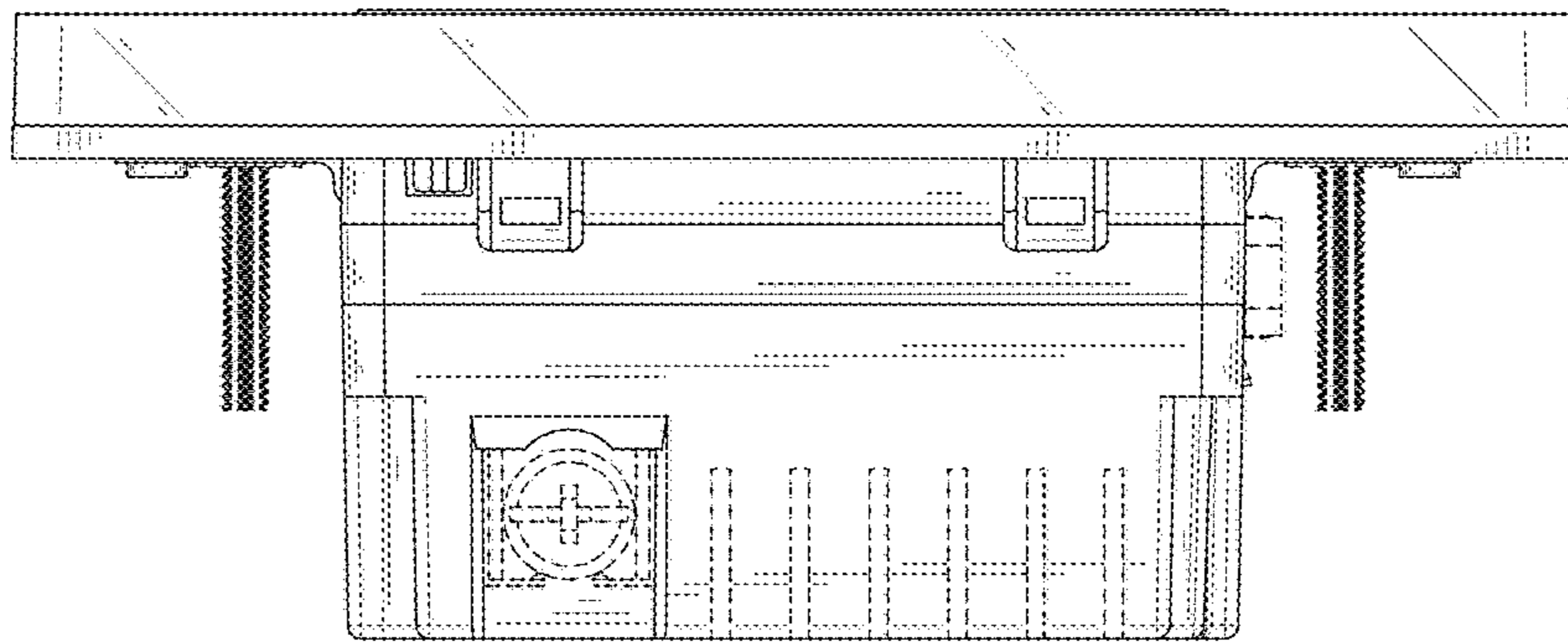


FIG. 8