



US00D851597S

(12) **United States Design Patent**  
**Ding**

(10) **Patent No.:** **US D851,597 S**

(45) **Date of Patent:** **\*\* Jun. 18, 2019**

(54) **SOCKET**

(71) Applicant: **Shenzhen Rishenghua Technology Co. Ltd.**, Shenzhen (CN)

(72) Inventor: **Huafeng Ding**, Shenzhen (CN)

(73) Assignee: **SHENZHEN RISHENGHUA TECHNOLOGY CO. LTD.**, Shenshen (CN)

(\*\*) Term: **15 Years**

(21) Appl. No.: **29/639,244**

(22) Filed: **Mar. 5, 2018**

(51) **LOC (11) Cl.** ..... **13-03**

(52) **U.S. Cl.**  
USPC ..... **D13/137.2**

(58) **Field of Classification Search**  
USPC ..... D13/108, 110, 123, 133, 137.1–137.4,  
D13/138.1–138.2, 139.1–139.8, 152, 154;  
D14/433  
CPC .. H01R 25/00; H01R 25/006; H01R 13/6675;  
H01R 13/10; H01R 13/44; H01R 13/66;  
H01R 13/652; H01R 31/065; H01R  
31/00; H01R 11/00; H01R 9/00; H01H  
2207/00; H01H 2207/022  
See application file for complete search history.

(56) **References Cited**

**U.S. PATENT DOCUMENTS**

D467,873 S \* 12/2002 Yu ..... D13/137.2  
D651,974 S \* 1/2012 Benedetti ..... D13/137.2  
D686,988 S \* 7/2013 Fawkes ..... D13/110

D692,825 S \* 11/2013 Izen ..... D13/108  
D820,212 S \* 6/2018 Stern ..... D13/137.2  
D825,458 S \* 8/2018 Nauroy ..... D13/108

\* cited by examiner

*Primary Examiner* — Rosemary K Tarcza

*Assistant Examiner* — Christy M Nemeth

(74) *Attorney, Agent, or Firm* — SRIPLAW, P.A.

(57) **CLAIM**

The ornamental design for a socket, as shown and described.

**DESCRIPTION**

FIG. 1 is a perspective view of a socket showing my new design;

FIG. 2 is a front view thereof;

FIG. 3 is a back view thereof;

FIG. 4 is a left side view thereof;

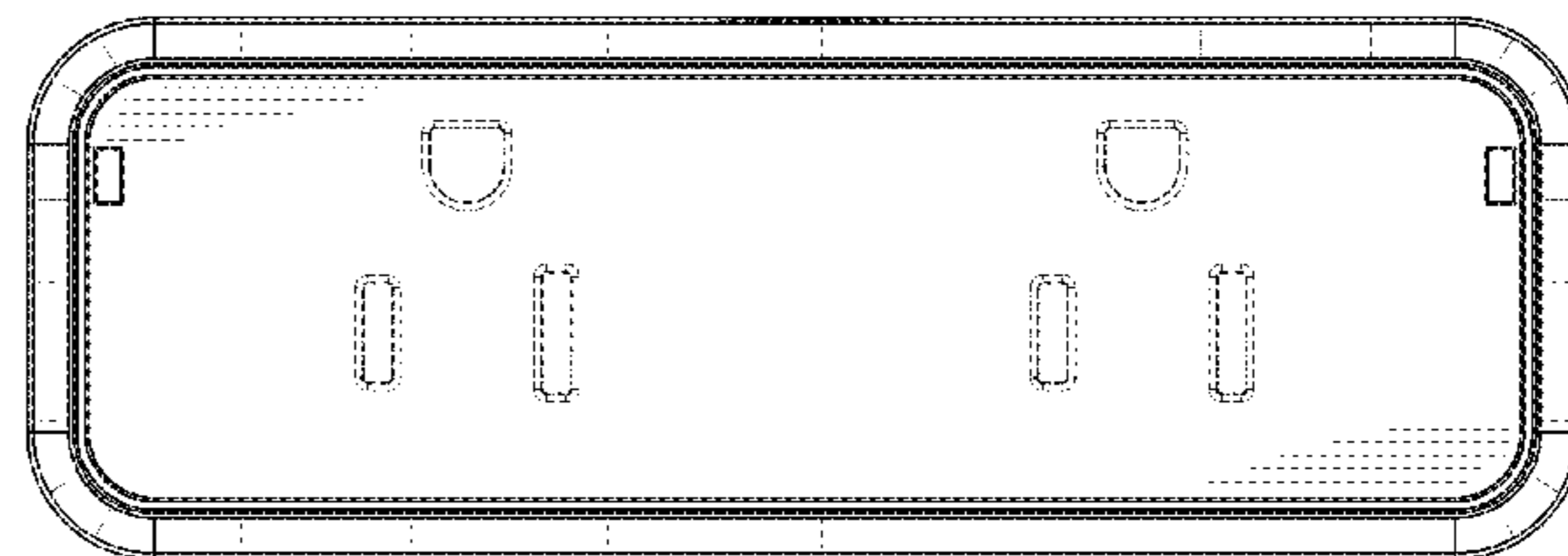
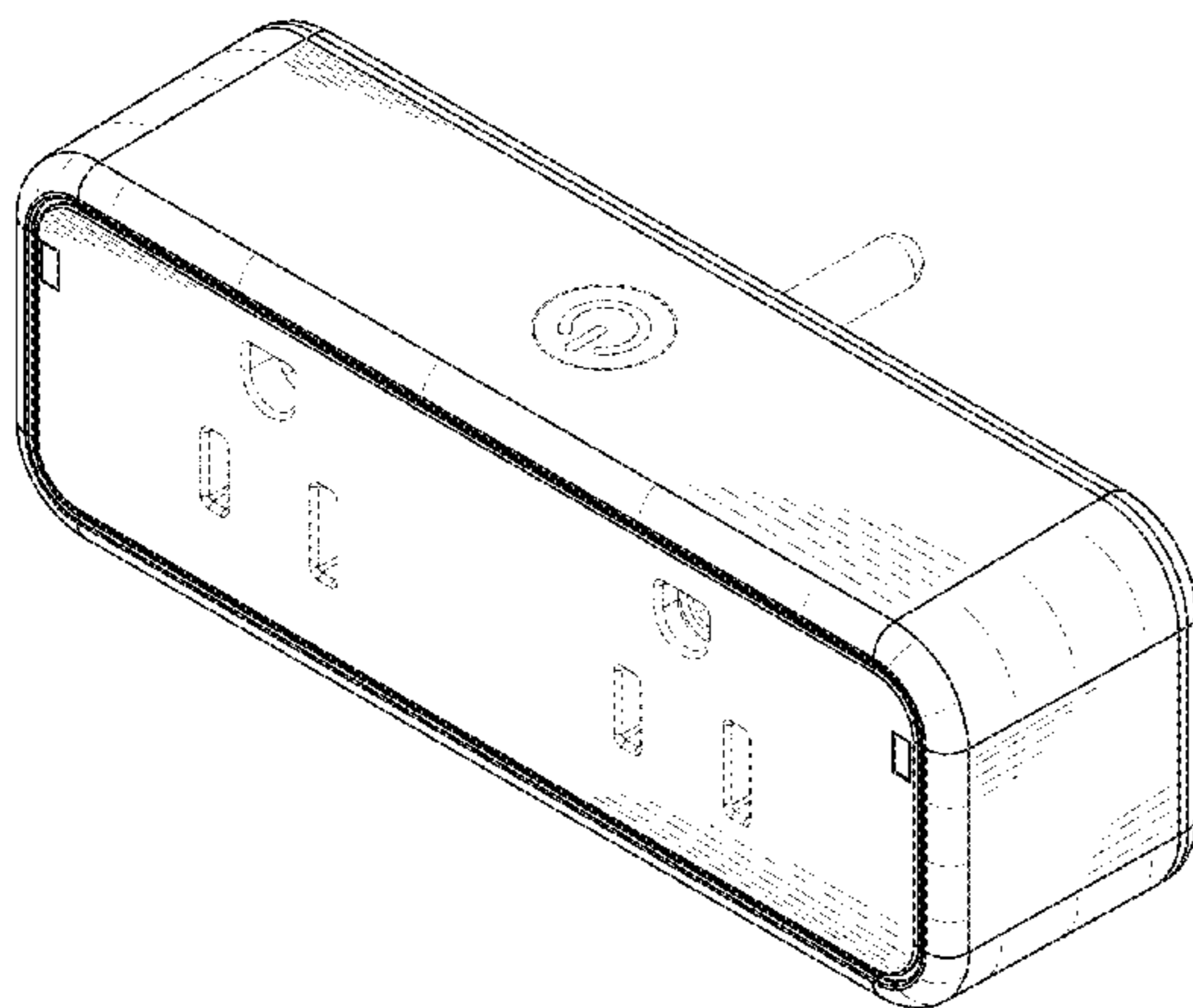
FIG. 5 is a right side view thereof;

FIG. 6 is a top view thereof; and,

FIG. 7 is a bottom view thereof.

The broken lines shown in the drawings are for the purpose of illustrating portions of the socket that form no part of the claimed design.

**1 Claim, 7 Drawing Sheets**



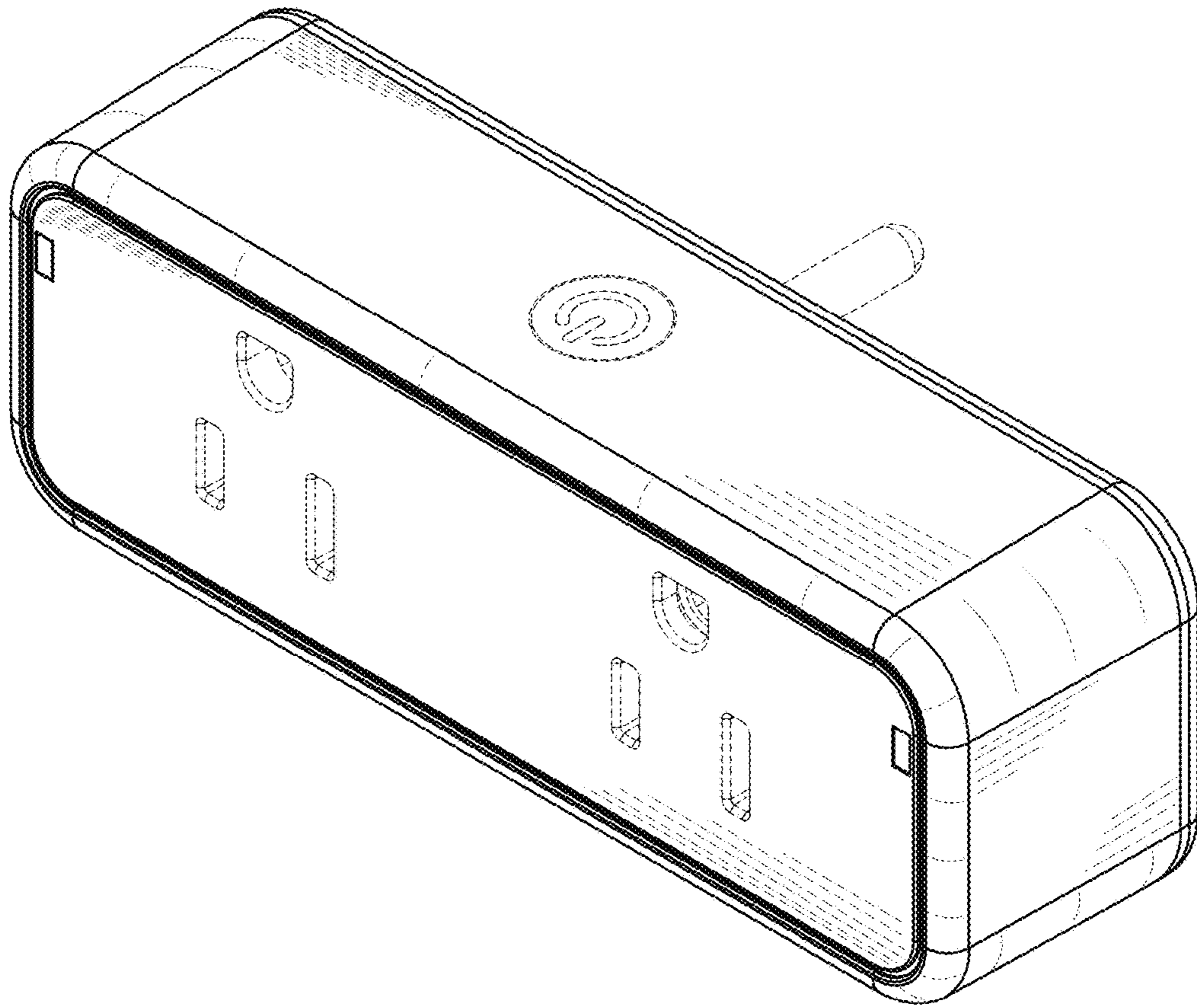


FIG.1

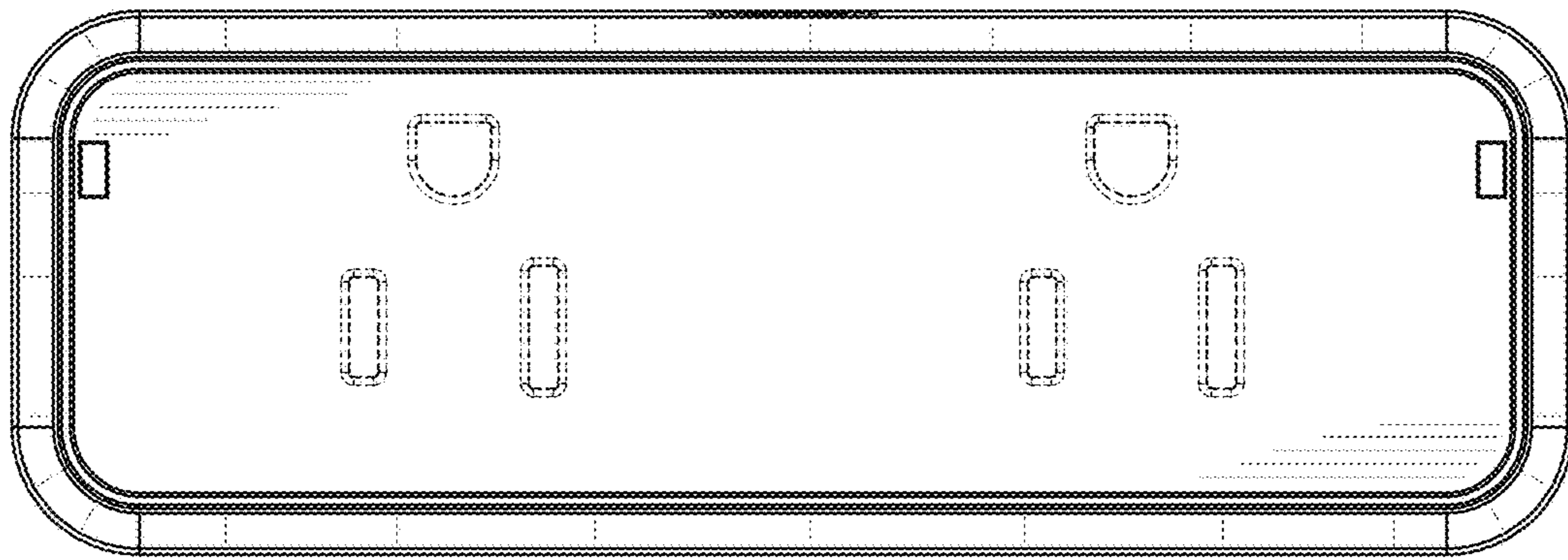


FIG.2

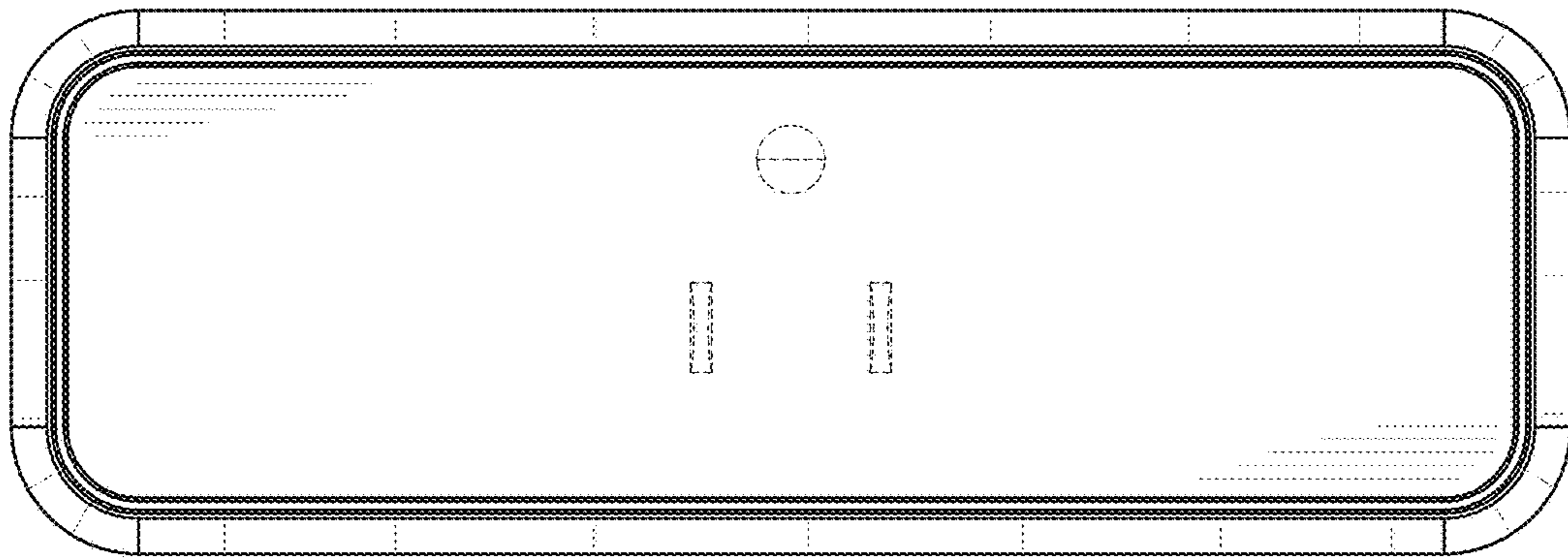


FIG.3

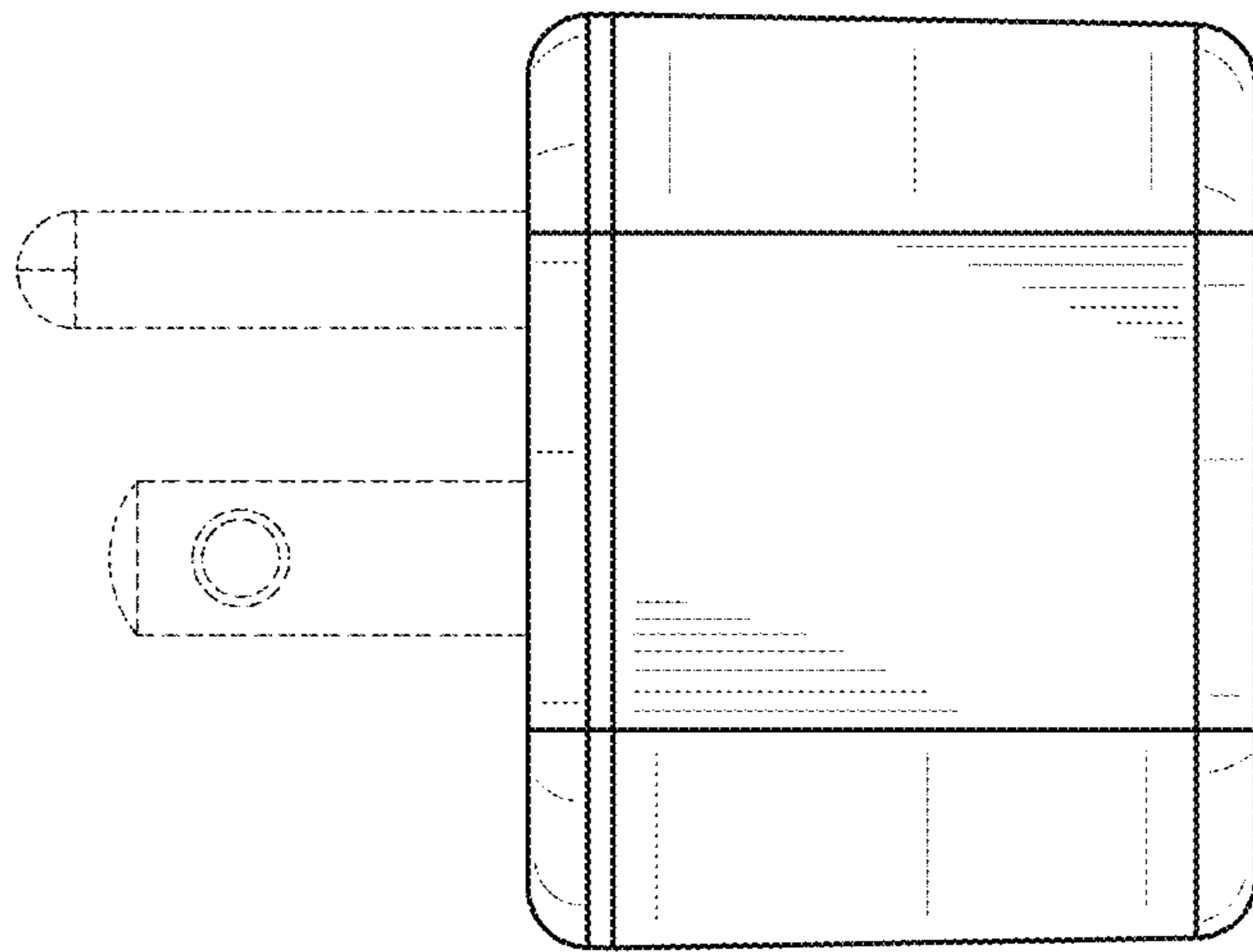


FIG.4

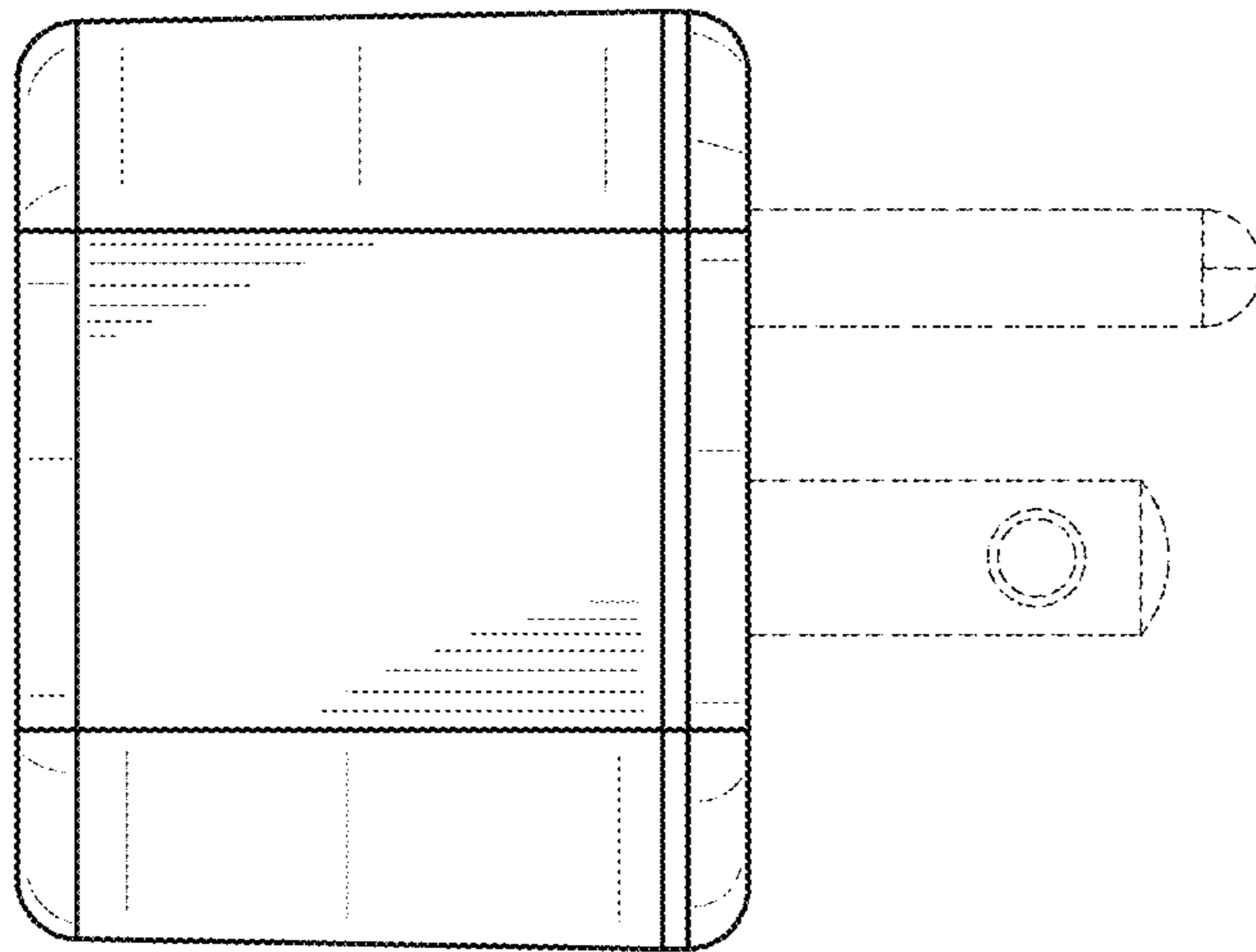


FIG.5

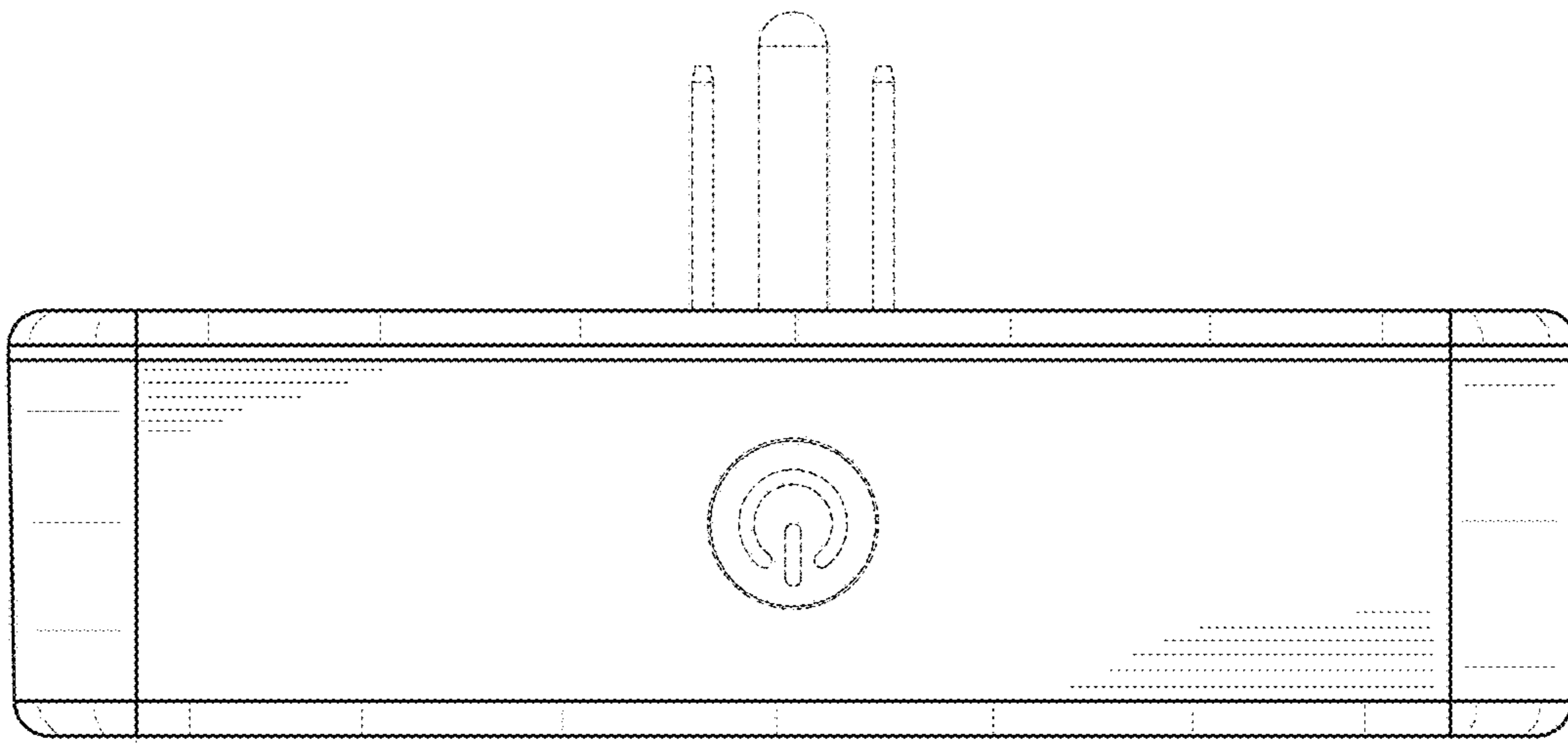


FIG. 6

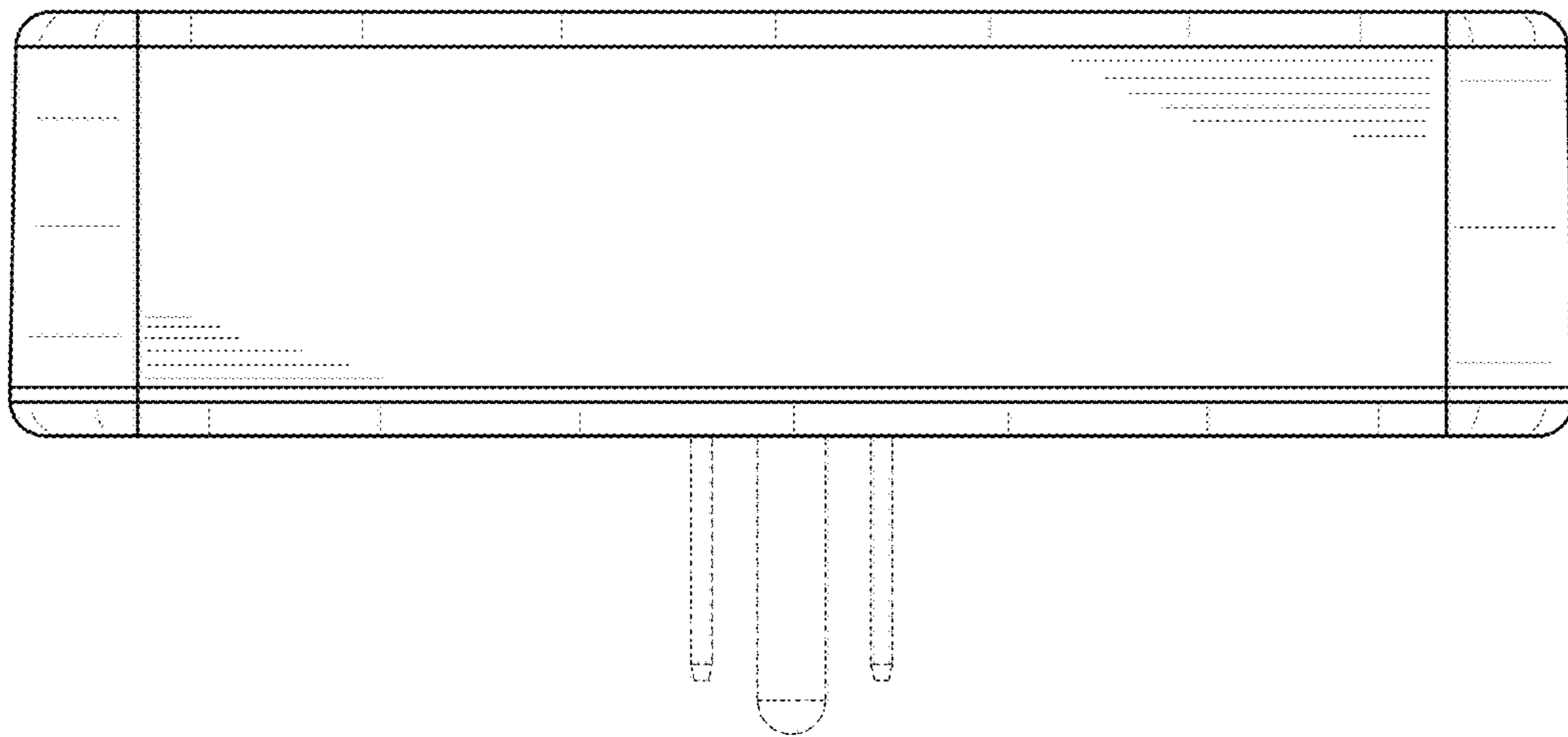


FIG.7