



US00D851596S

(12) **United States Design Patent**  
**Koch**

(10) **Patent No.:** **US D851,596 S**  
(45) **Date of Patent:** **\*\* Jun. 18, 2019**

(54) **ELECTRICAL PLUG ADAPTER**

(71) Applicant: **Q2Power AG**, Ruggell (LI)  
(72) Inventor: **Michael Koch**, Biberist (CH)  
(\*\*) Term: **15 Years**

(21) Appl. No.: **29/600,398**

(22) Filed: **Apr. 12, 2017**

(51) **LOC (11) Cl.** ..... **13-03**

(52) **U.S. Cl.**  
USPC ..... **D13/137.2**

(58) **Field of Classification Search**  
USPC ..... D13/108, 110, 123, 133, 137.1–137.4,  
D13/138.1–138.2, 139.1–139.8, 152–154,  
D13/146, 147, 156, 158; D14/433;  
D8/350–353  
CPC ..... H01R 11/00; H01R 9/00; H01R 25/00;  
H01R 25/006; H01R 13/11; H01R 24/76  
See application file for complete search history.

(56) **References Cited**

**U.S. PATENT DOCUMENTS**

D623,595 S	*	9/2010	Ruffner	.....	D13/110
D657,314 S	*	4/2012	Ruffner	.....	D13/139.1
D669,433 S	*	10/2012	Lee	.....	D13/110
D682,220 S	*	5/2013	Lee	.....	D13/152
D700,144 S	*	2/2014	Benedict	.....	D13/133
D702,639 S	*	4/2014	Ruffner	.....	D13/110
D720,695 S	*	1/2015	Shen	.....	D13/110
D741,265 S	*	10/2015	Lee	.....	D13/137.2
D770,384 S	*	11/2016	Zetterqvist	.....	D13/133
D805,479 S	*	12/2017	Lin	.....	D13/137.2

**OTHER PUBLICATIONS**

Amazon.com: Q2 Power Qdpter 360 World to World USB Adapter. Published Mar. 22, 2017. Retrieved from the internet at <https://www.amazon.co.uk/Q2-Power-Qdapter-World\_Adapter/dp/B01N6347J2/>, Feb. 27, 2018. 1 page.\*

\* cited by examiner

*Primary Examiner* — Rosemary K Tarcza  
*Assistant Examiner* — Christy M Nemeth  
(74) *Attorney, Agent, or Firm* — Morriss O’Bryant  
Compagni Cannon, PLLC

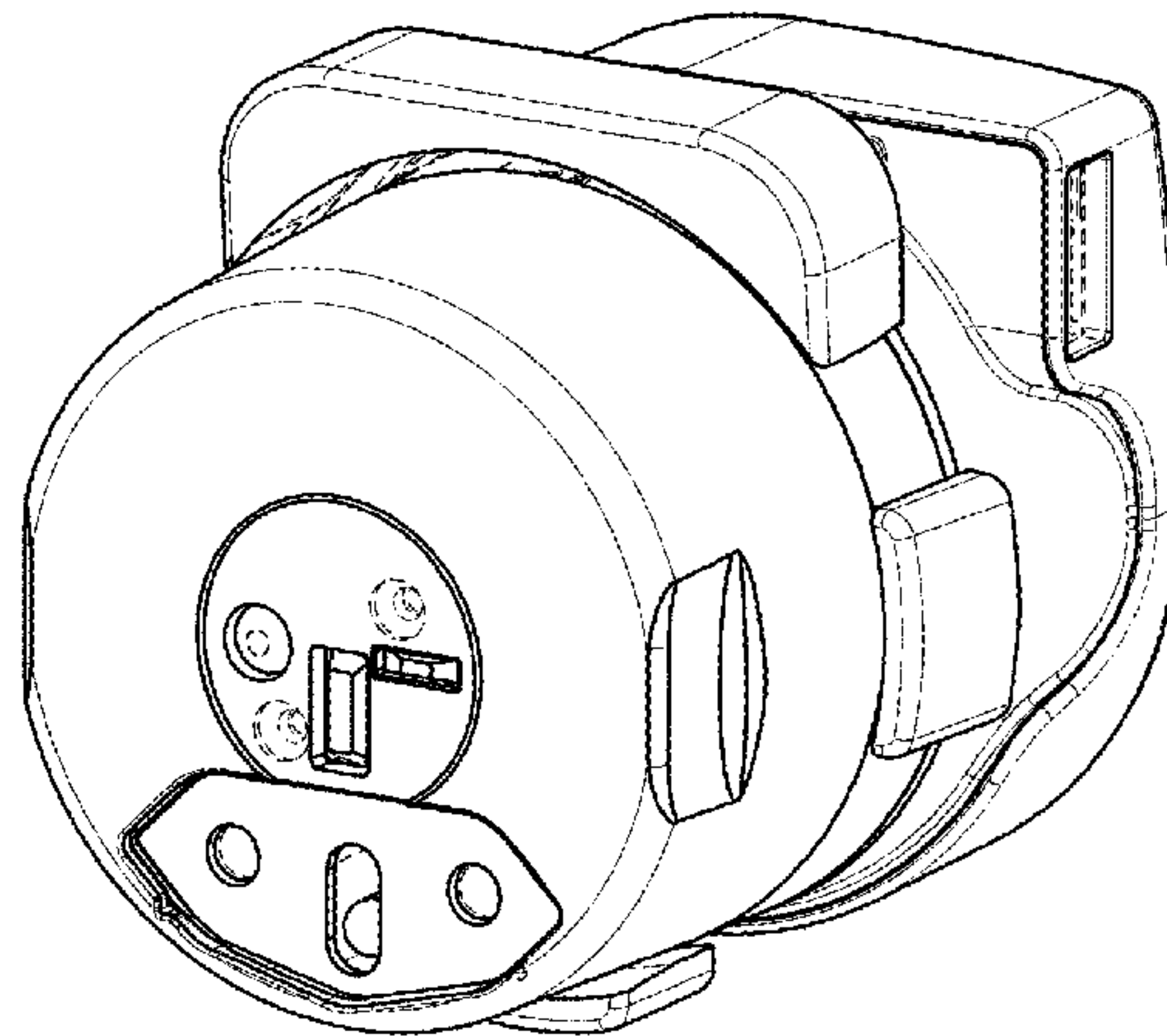
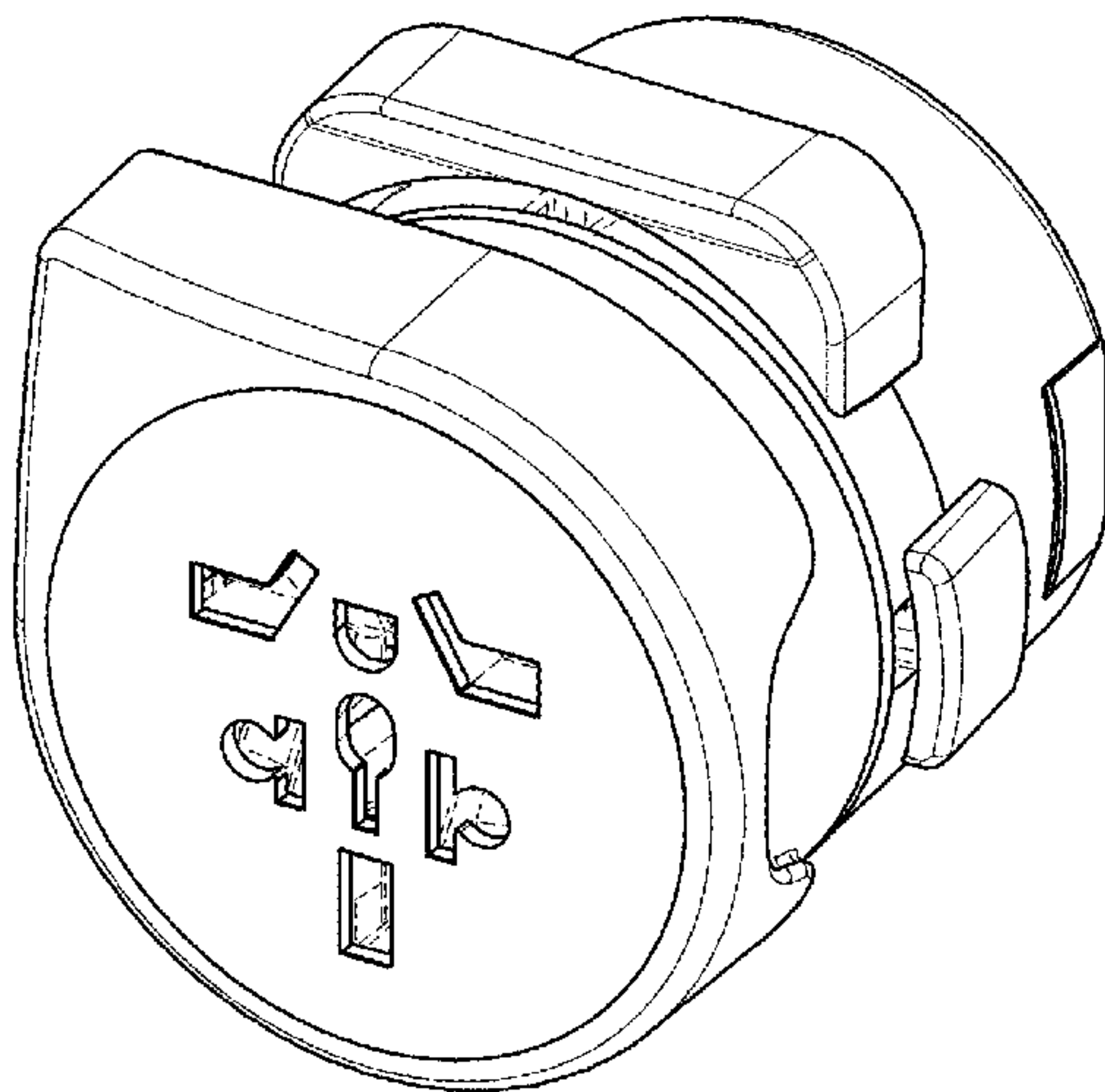
(57) **CLAIM**

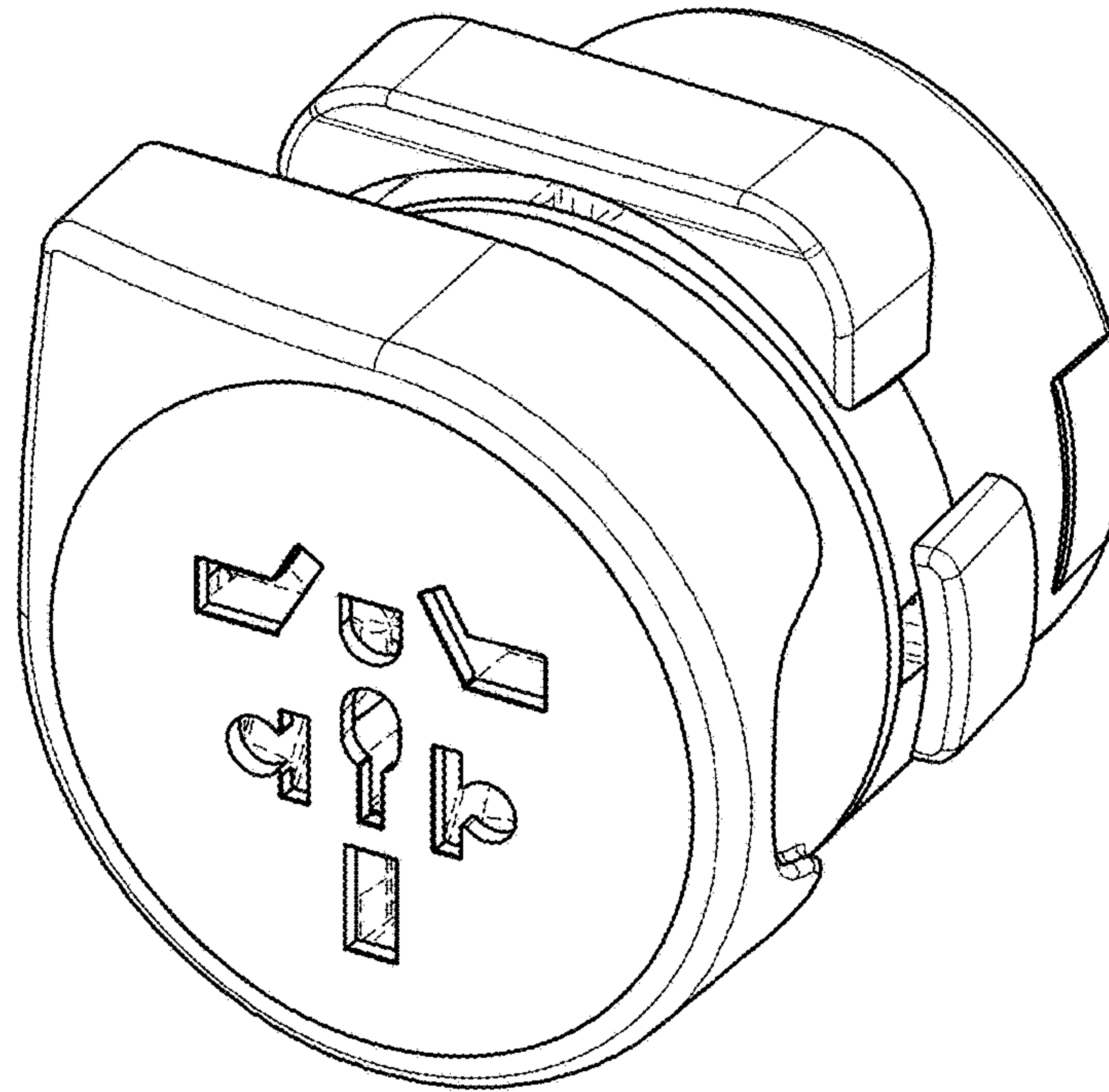
The ornamental design for the electrical plug adapter, as shown and described.

**DESCRIPTION**

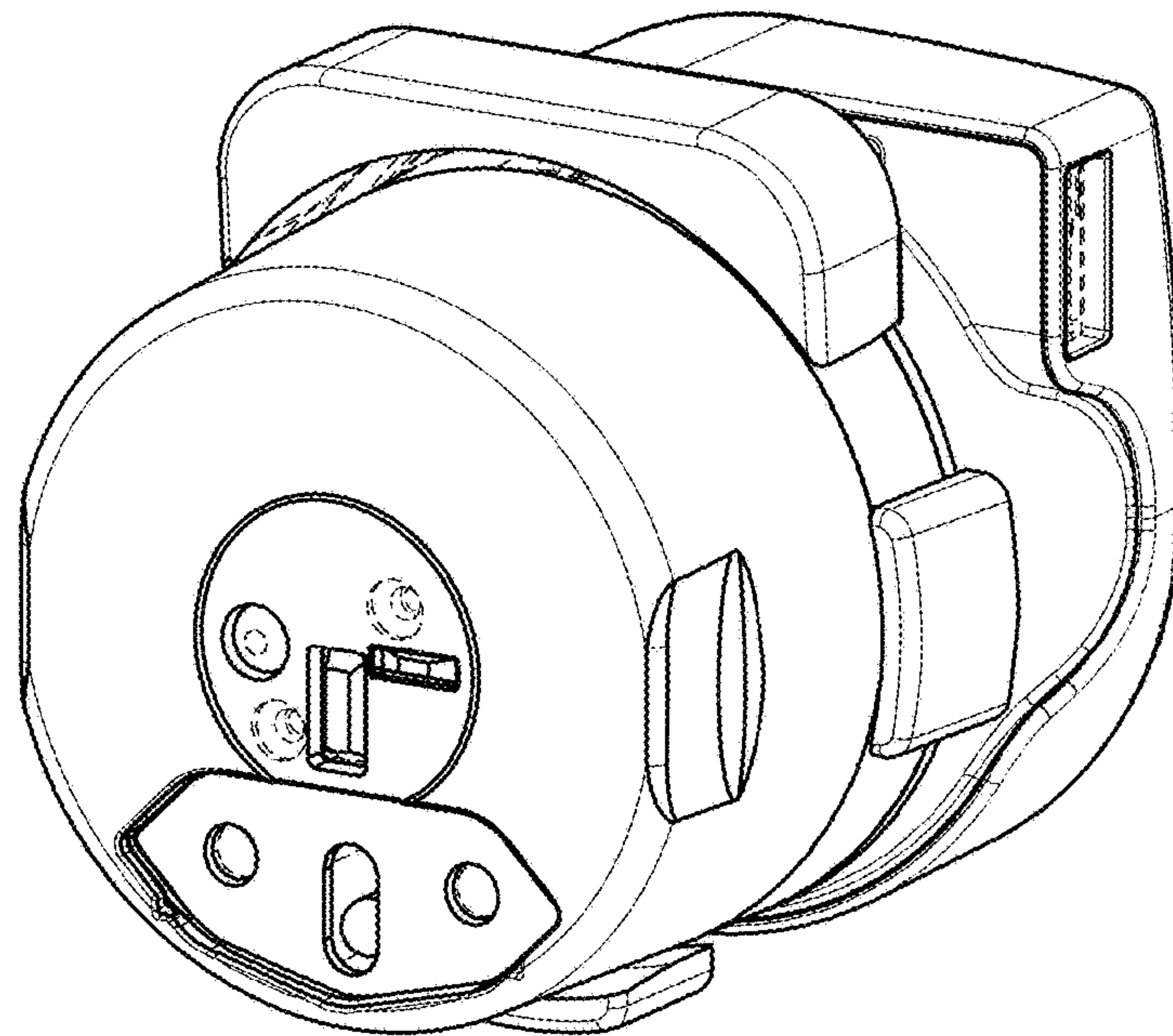
FIG. 1 is a top side perspective view of an electrical plug adapter of the present invention; FIG. 2 is a bottom side perspective view of the electrical plug adapter; FIG. 3 is a top side view of the electrical plug adapter; FIG. 4 is a bottom side view of the electrical plug adapter; FIG. 5 is a right side view of the electrical plug adapter; FIG. 6 is a left side view of the electrical plug adapter; FIG. 7 is a front side view of the electrical plug adapter; and, FIG. 8 is a back side view of the electrical plug adapter. The broken lines illustrate portions of the electrical plug adapter that form no part of the claimed design. The solid lines of a light line weight illustrate surface contours and form no part of the electrical plug adapter.

**1 Claim, 4 Drawing Sheets**

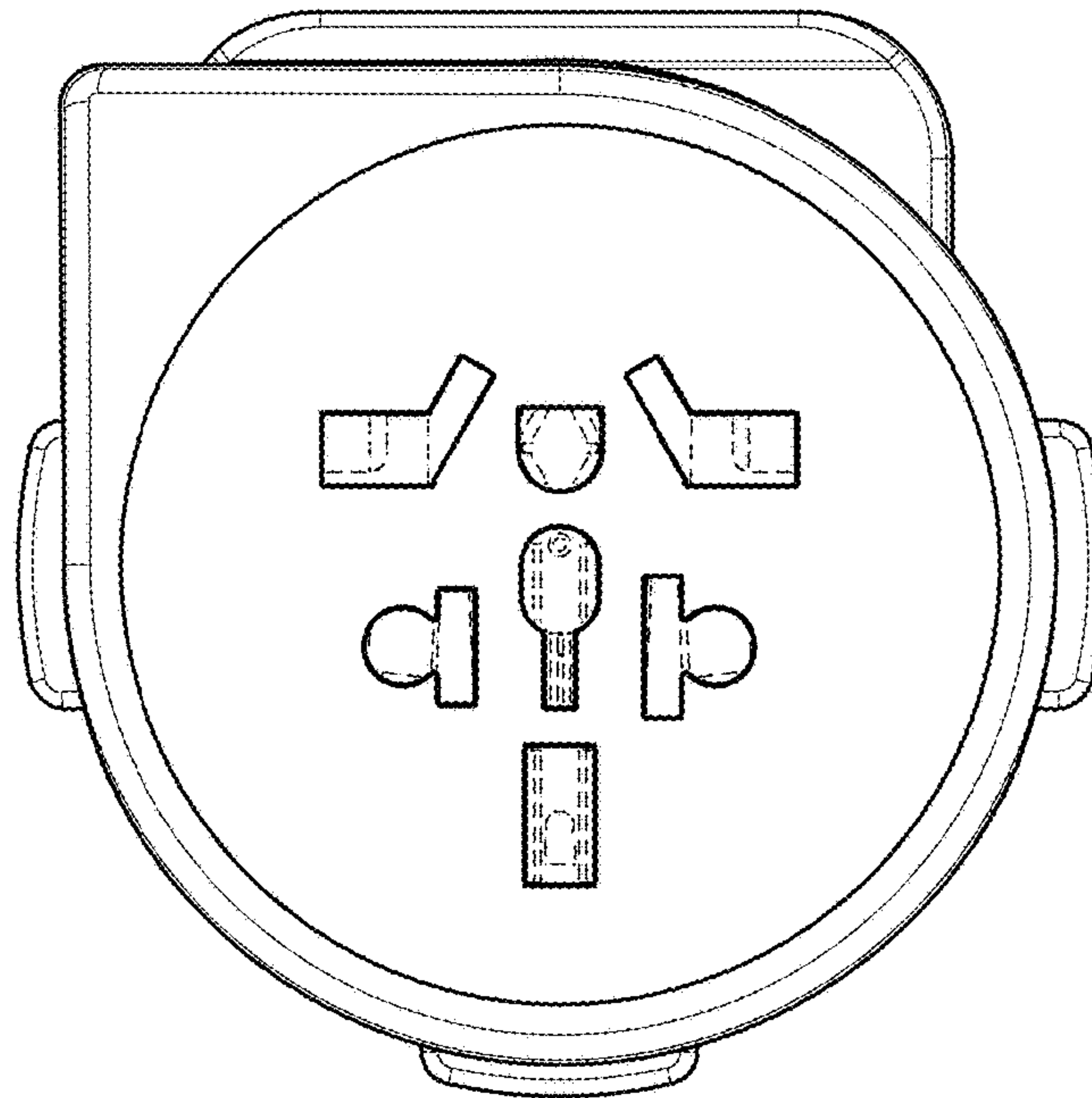




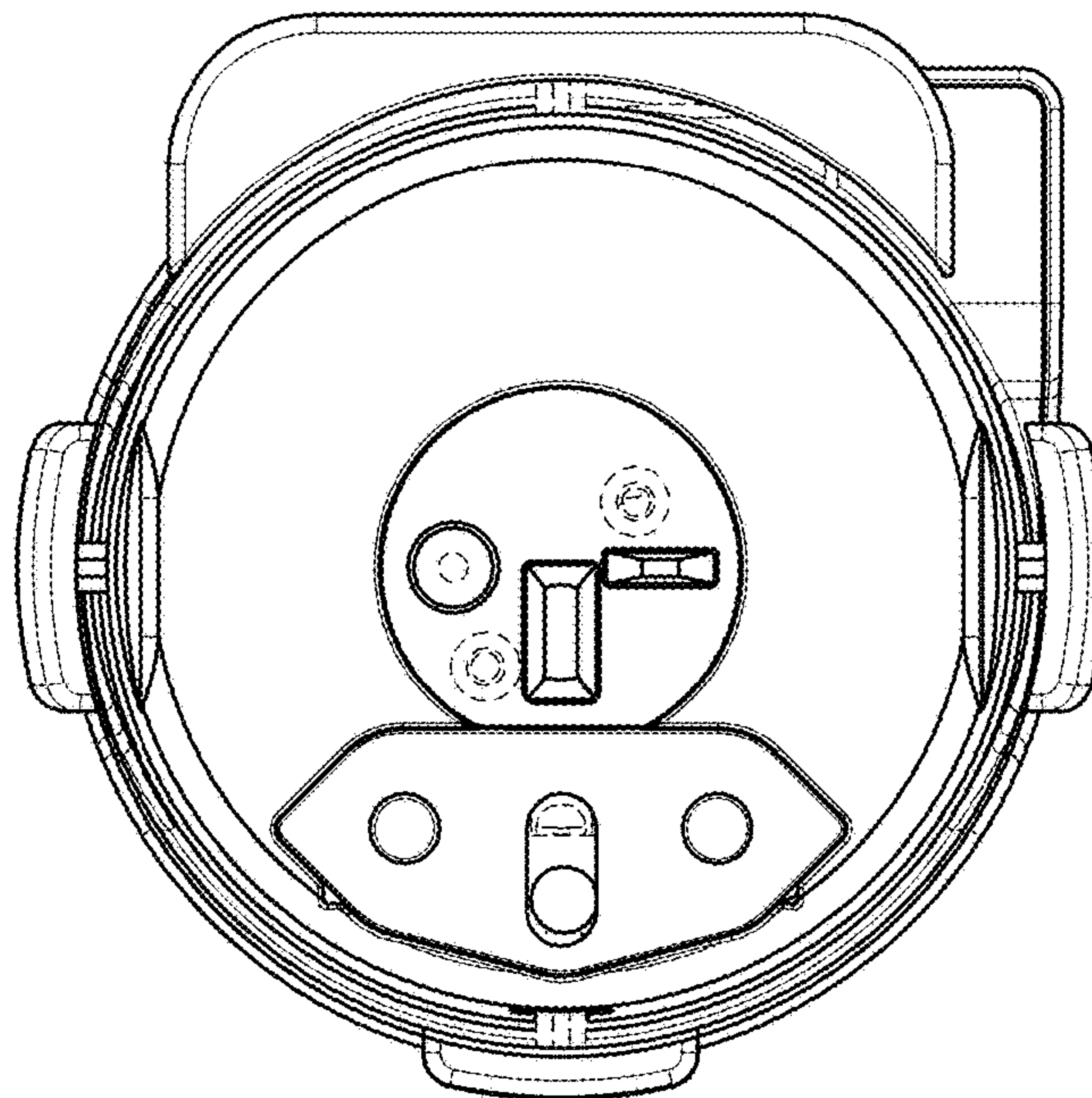
**FIG. 1**



**FIG. 2**

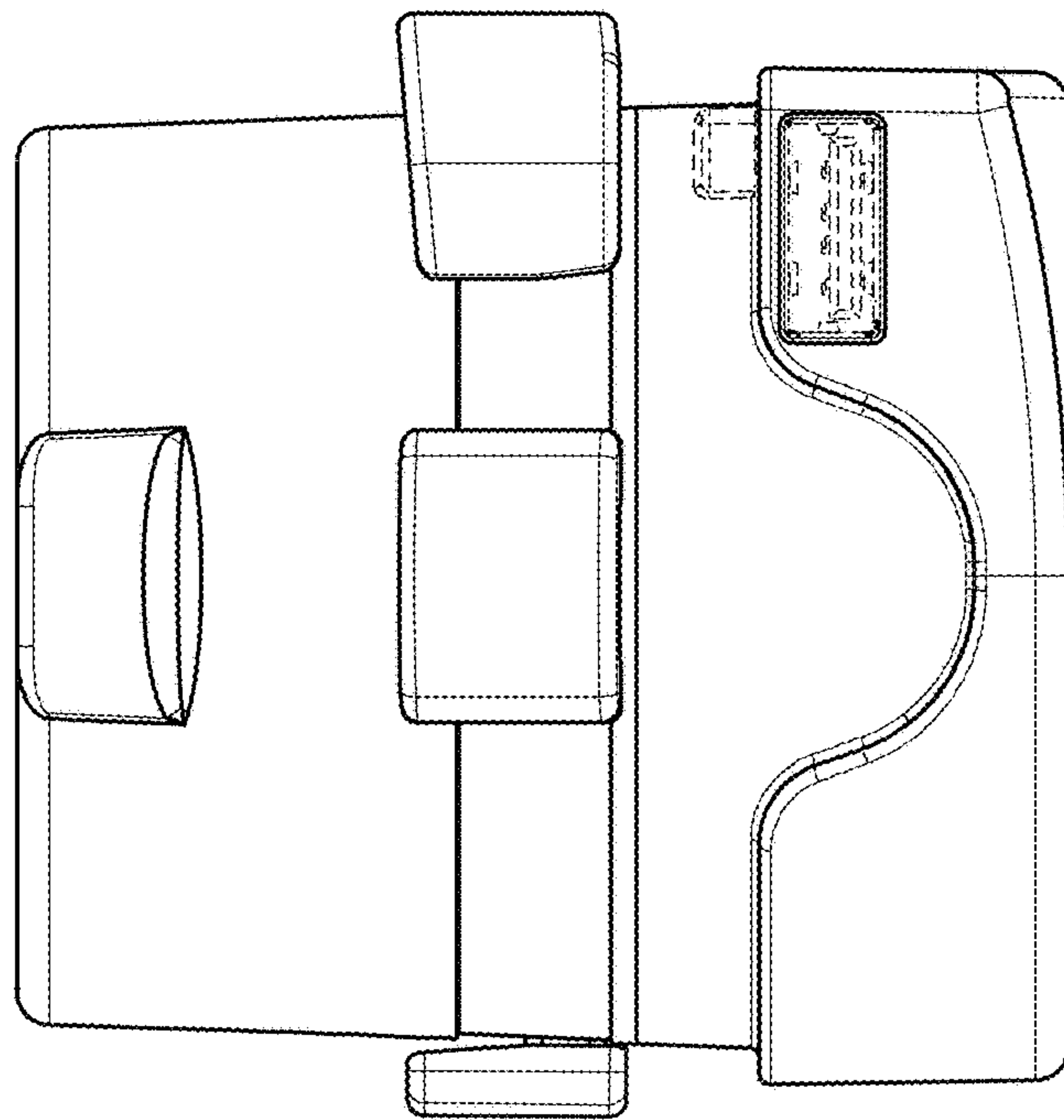


**FIG. 3**

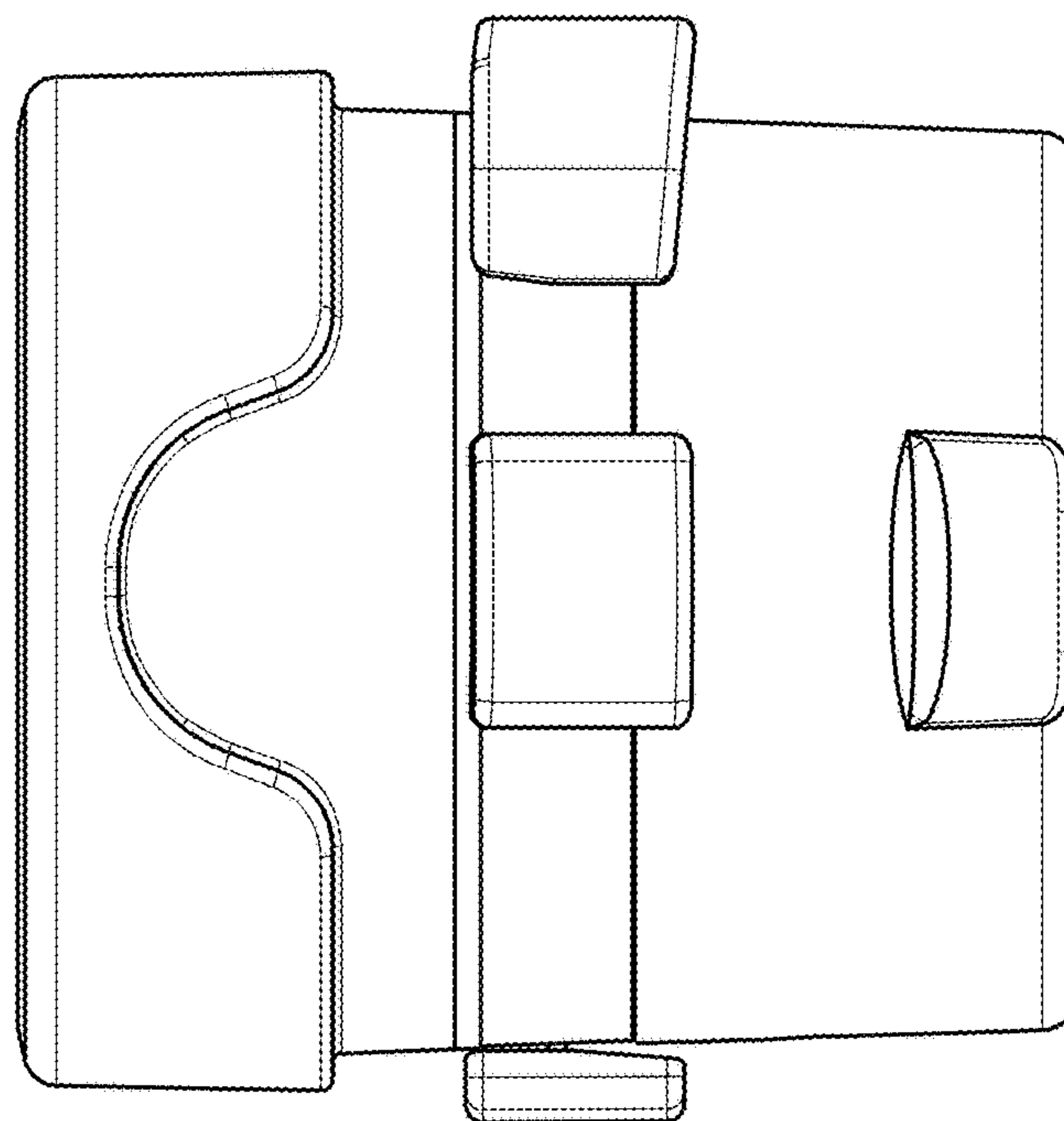


**FIG. 4**

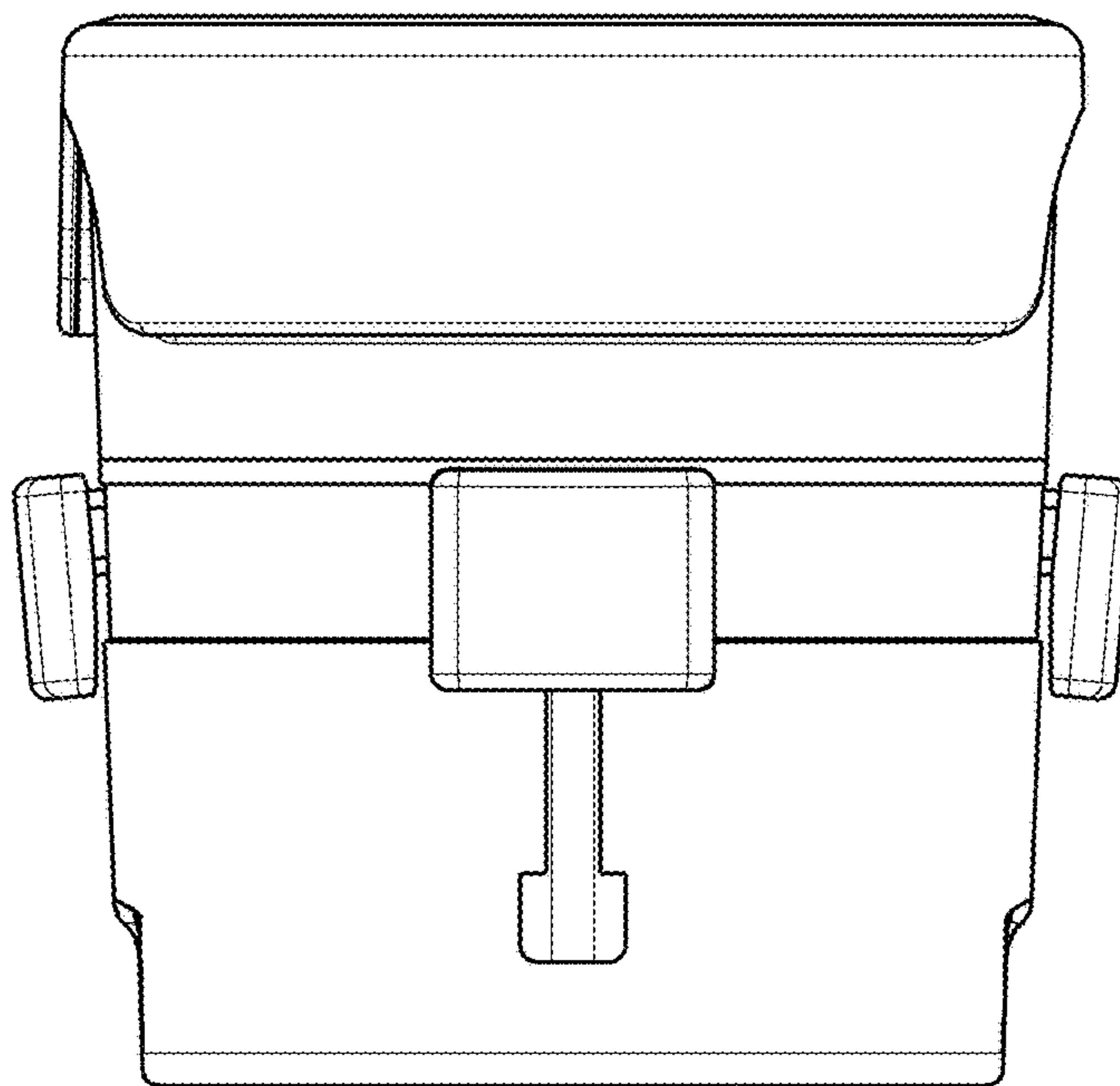




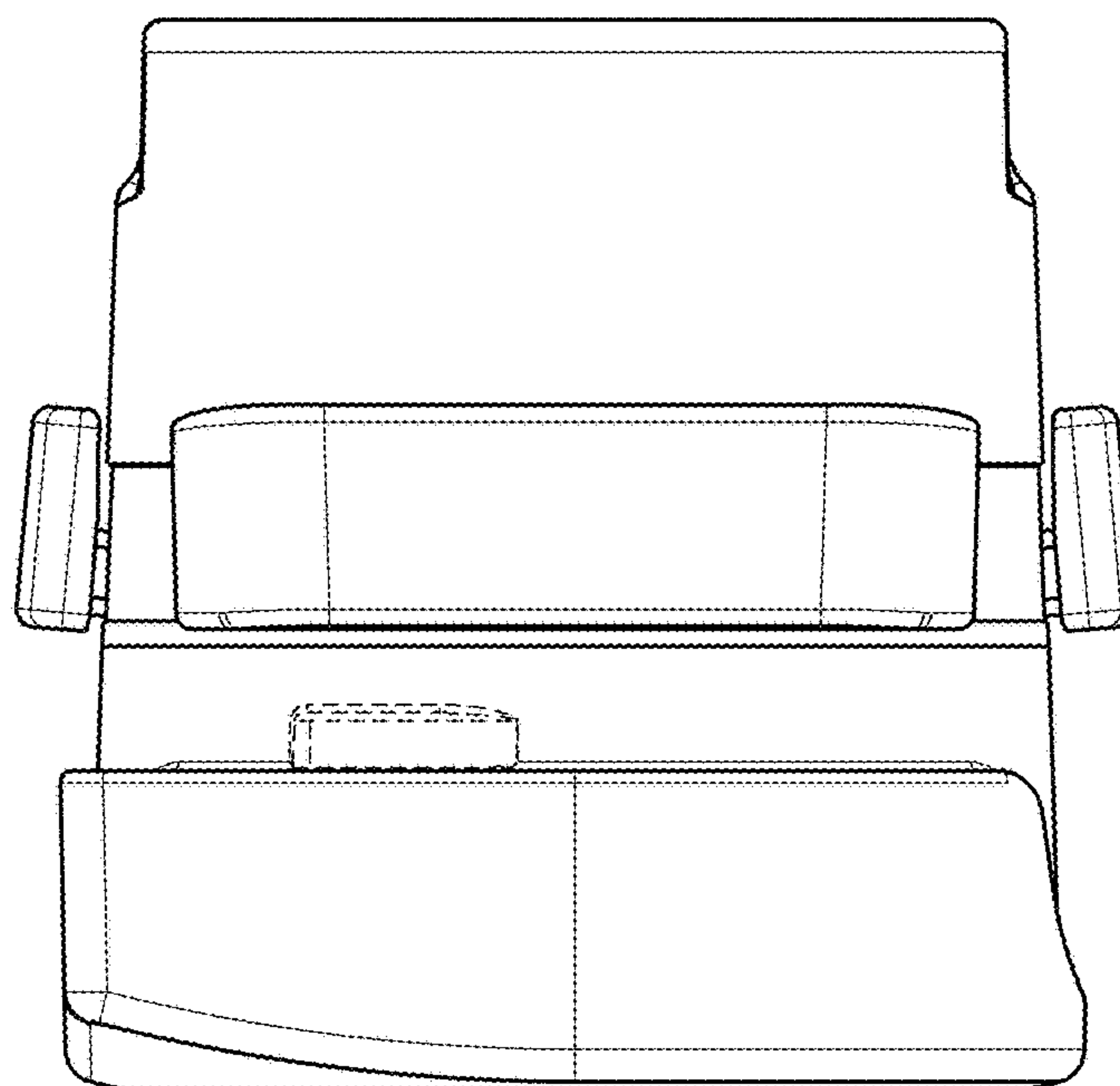
**FIG. 5**



**FIG. 6**



**FIG. 7**



**FIG. 8**