



US00D851595S

(12) **United States Design Patent**  
**Chen**

(10) **Patent No.:** **US D851,595 S**

(45) **Date of Patent:** **\*\* Jun. 18, 2019**

(54) **POWER CONNECTOR**

(71) Applicant: **Zhejiang Shijian Import and Export Co., Ltd.**, Shenzhen (CN)

(72) Inventor: **Xiuying Chen**, Shenzhen (CN)

(\*\*) Term: **15 Years**

(21) Appl. No.: **29/680,552**

(22) Filed: **Feb. 18, 2019**

(51) **LOC (11) Cl.** ..... **13-03**

(52) **U.S. Cl.**  
USPC ..... **D13/133**

(58) **Field of Classification Search**  
USPC ..... D13/118, 120, 123, 133, 146, 147, 149,  
D13/154, 173, 184, 199  
CPC ... G02B 6/38; H01R 4/24; H01R 4/48; H01R  
4/50; H01R 9/05; H01R 12/00; H01R  
13/432; H01R 13/52; H01R 13/64; H01R  
13/642; H01R 13/648; H01R 13/65;  
H01R 13/6581

See application file for complete search history.

(56) **References Cited**

**U.S. PATENT DOCUMENTS**

D210,533 S *	3/1968	Pauza	174/138 F
D402,628 S *	12/1998	Canuto	D13/133
D434,384 S *	11/2000	Hwang	D13/147
D473,844 S *	4/2003	Bender	D13/133
D527,345 S	8/2006	Zhang	
D537,781 S *	3/2007	Tamura	D13/133
D564,963 S *	3/2008	Sakamoto	D13/133
D585,026 S *	1/2009	Kok	D13/133
D593,033 S *	5/2009	Ogata	D13/133
D642,528 S *	8/2011	Gravolin	D13/133
D665,751 S *	8/2012	Byrne	D13/146
D668,611 S *	10/2012	Byrne	D13/146
D689,435 S *	9/2013	Sekine	D13/133
D753,600 S *	4/2016	Svelnis	D13/146
D761,206 S	7/2016	Chen	

D820,788 S	6/2018	Smajda	
D836,557 S *	12/2018	Luo	D13/147
D840,938 S *	2/2019	Hsu	D13/147
2009/0053937 A1 *	2/2009	Tsou	H01R 13/514 439/638
2014/0151999 A1 *	6/2014	Imaki	F16L 37/56 285/119

(Continued)

**OTHER PUBLICATIONS**

High current-density mega-fit power connectors, dated Mar. 13, 2014, [online], [site visited Mar. 25, 2019]. Available from Internet, <URL: <https://www.engineerlive.com/content/high-current-density-mega-fit-power-connectors>> (Year: 2014).\*

(Continued)

*Primary Examiner* — Angela J Lee  
*Assistant Examiner* — Shawn T Gingrich  
(74) *Attorney, Agent, or Firm* — Zan IP

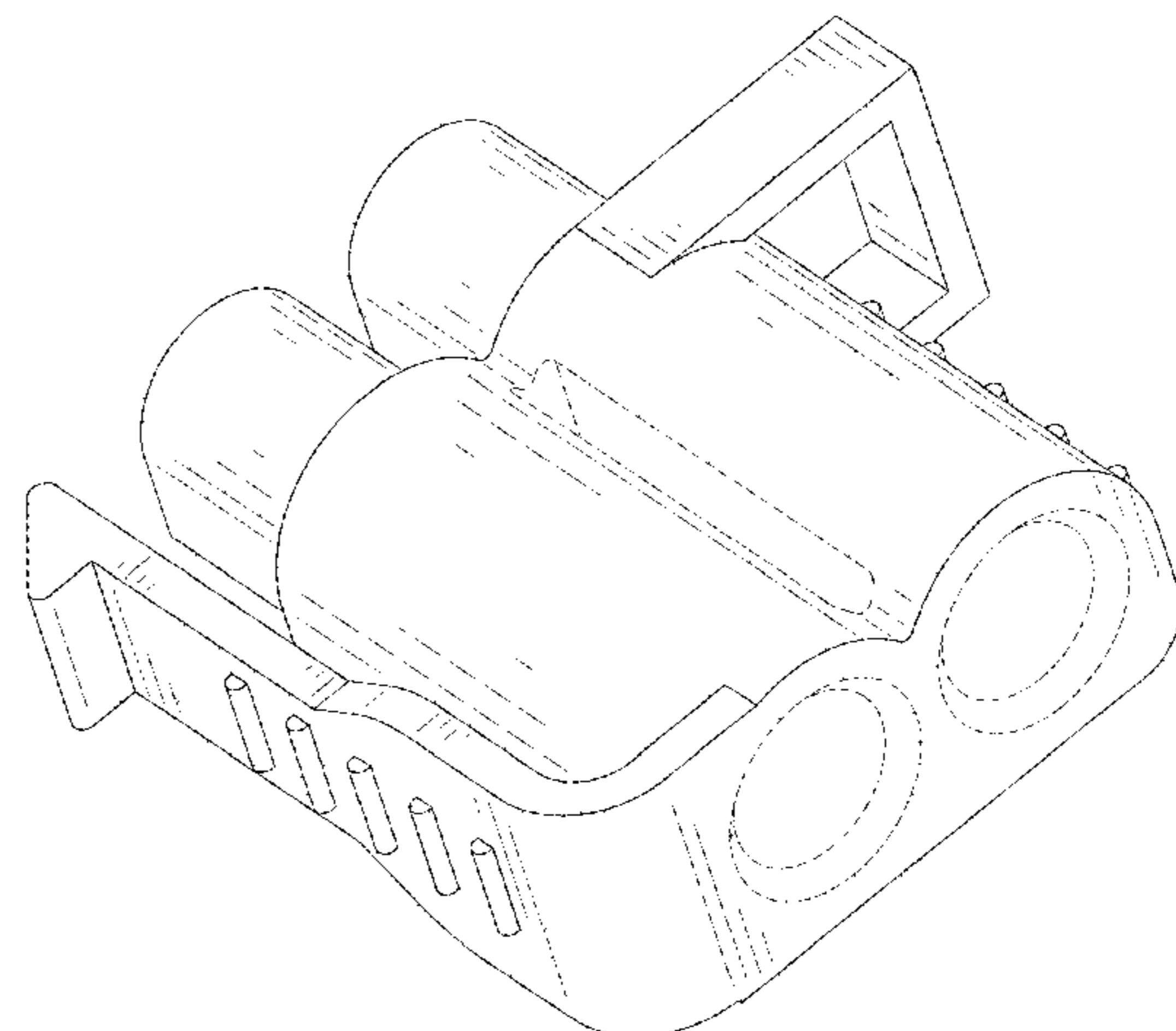
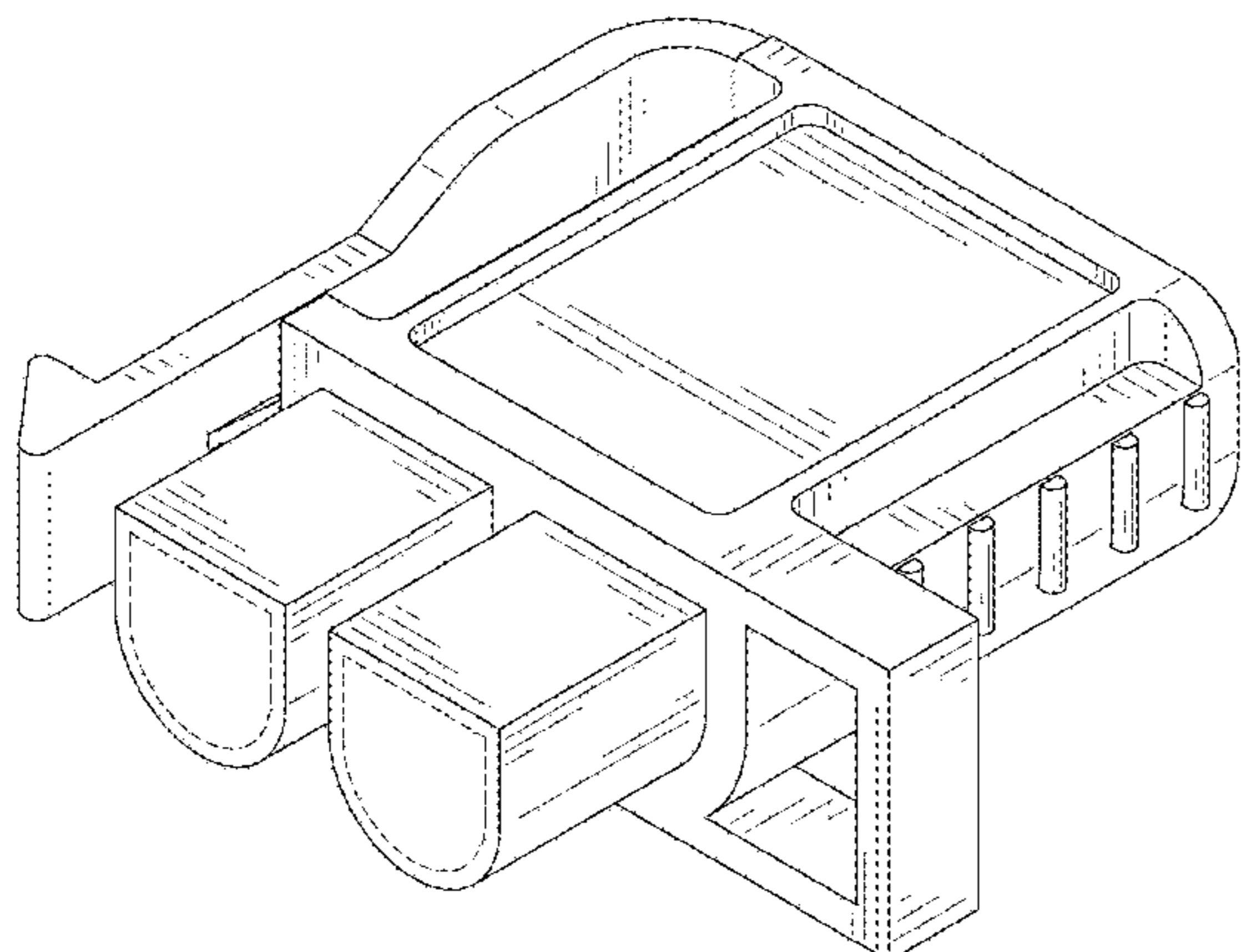
(57) **CLAIM**

The ornamental design for a power connector, as shown and described.

**DESCRIPTION**

FIG. 1 is a first perspective view of a power connector showing my design;  
FIG. 2 is a second perspective view thereof;  
FIG. 3 is a front view thereof;  
FIG. 4 is a back view thereof;  
FIG. 5 is a left side view thereof;  
FIG. 6 is a right side view thereof;  
FIG. 7 is a top view thereof; and,  
FIG. 8 is a bottom view thereof.  
The dashed or broken lines shown in the drawings depict portions of the power connector in which the design is embodied that form no part of the claimed design.

**1 Claim, 8 Drawing Sheets**



(56)

**References Cited**

U.S. PATENT DOCUMENTS

2015/0017841 A1\* 1/2015 Chen ..... H01R 13/64  
439/680  
2015/0249303 A1\* 9/2015 Yin ..... H01R 13/6272  
439/357

OTHER PUBLICATIONS

PSU Modular Power Supply 2-Pin Connector w/Pins—Black, dated Jul. 29, 2014, [online], [site visited Mar. 25, 2019]. Available from Internet, <URL: <https://www.moddiy.com/products/PSU-Modular-Power-Supply-2-Pin-Connector-w{47}Pins---Black.html>> (Year: 2014).\*

\* cited by examiner

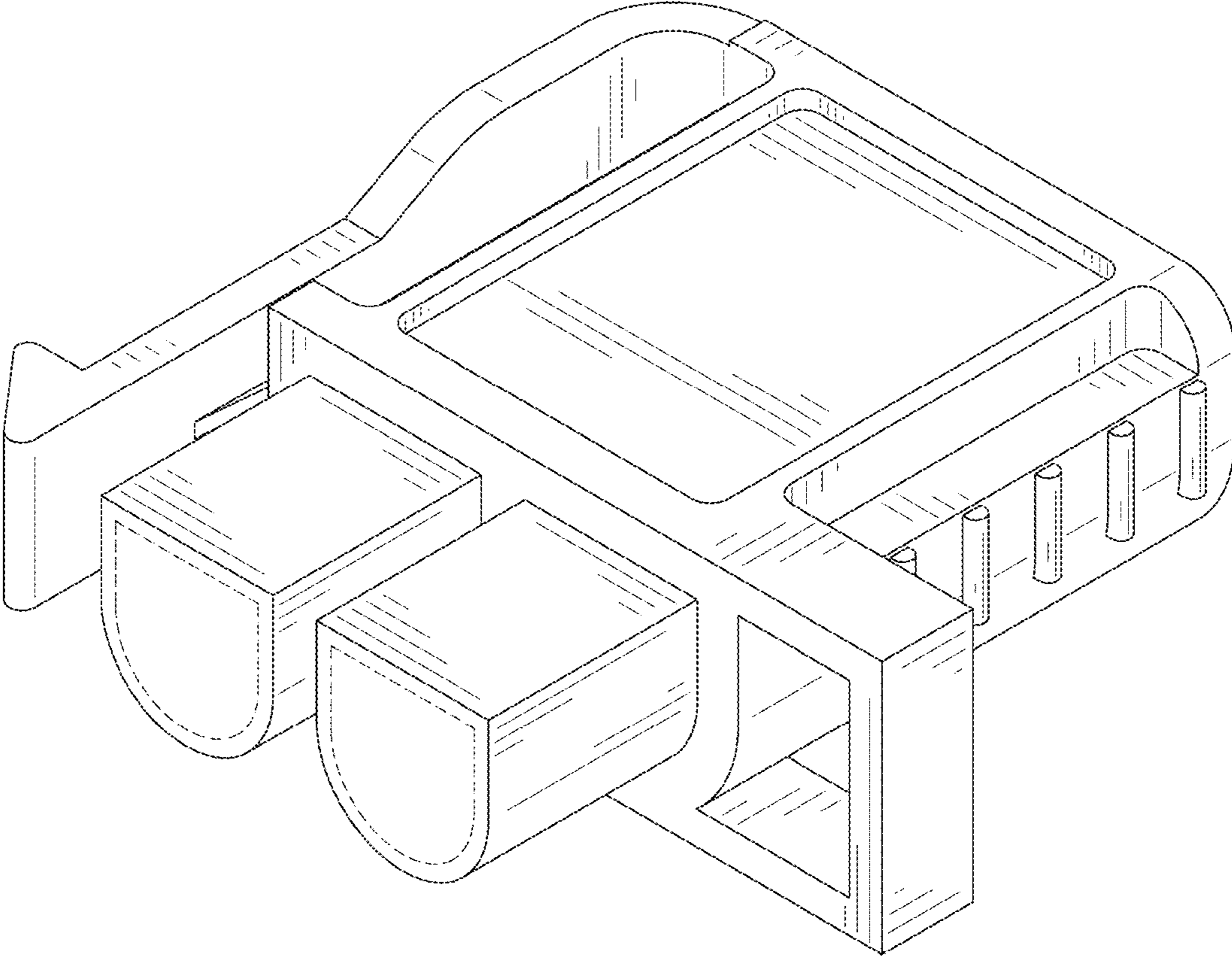


FIG. 1

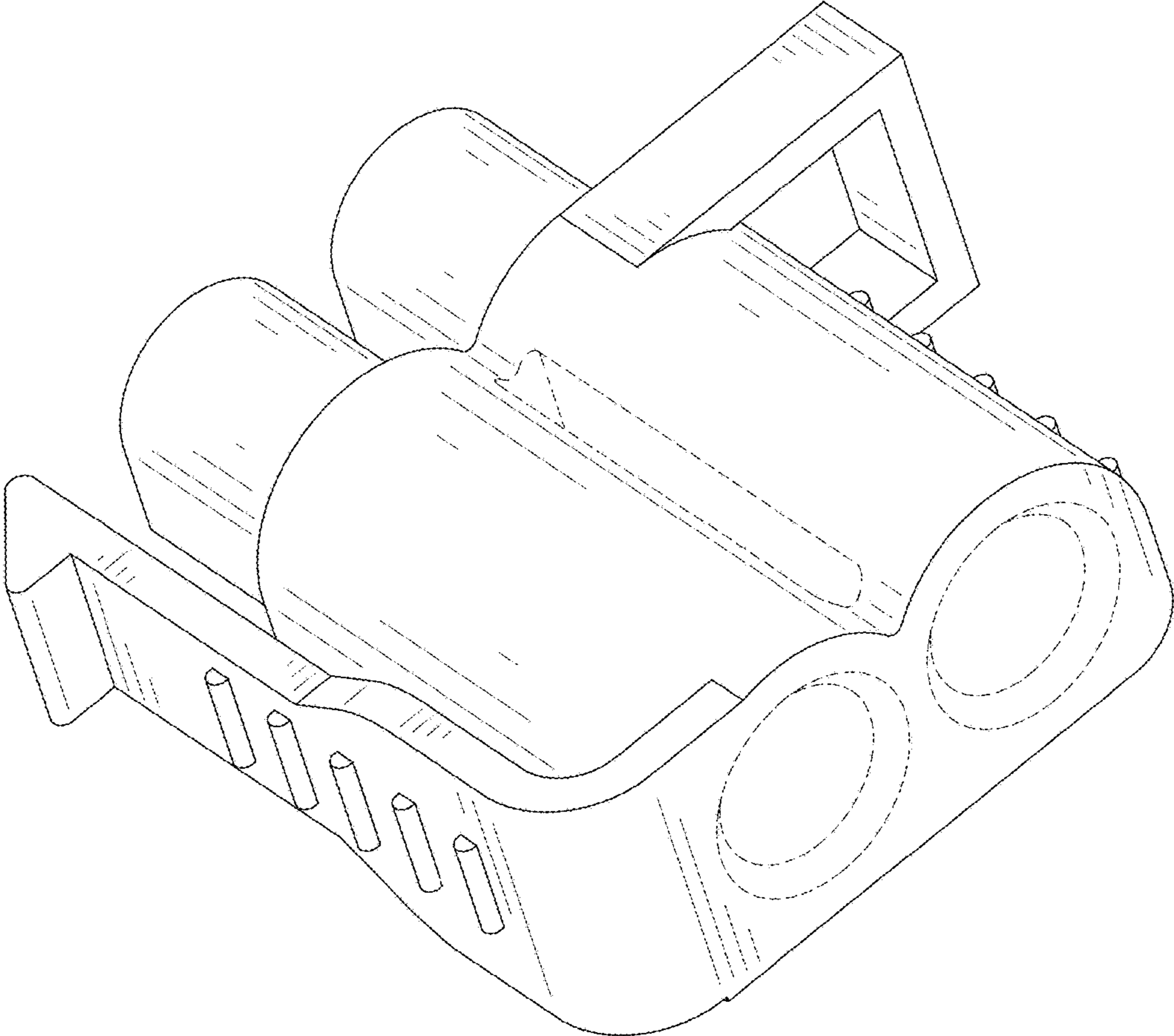


FIG. 2

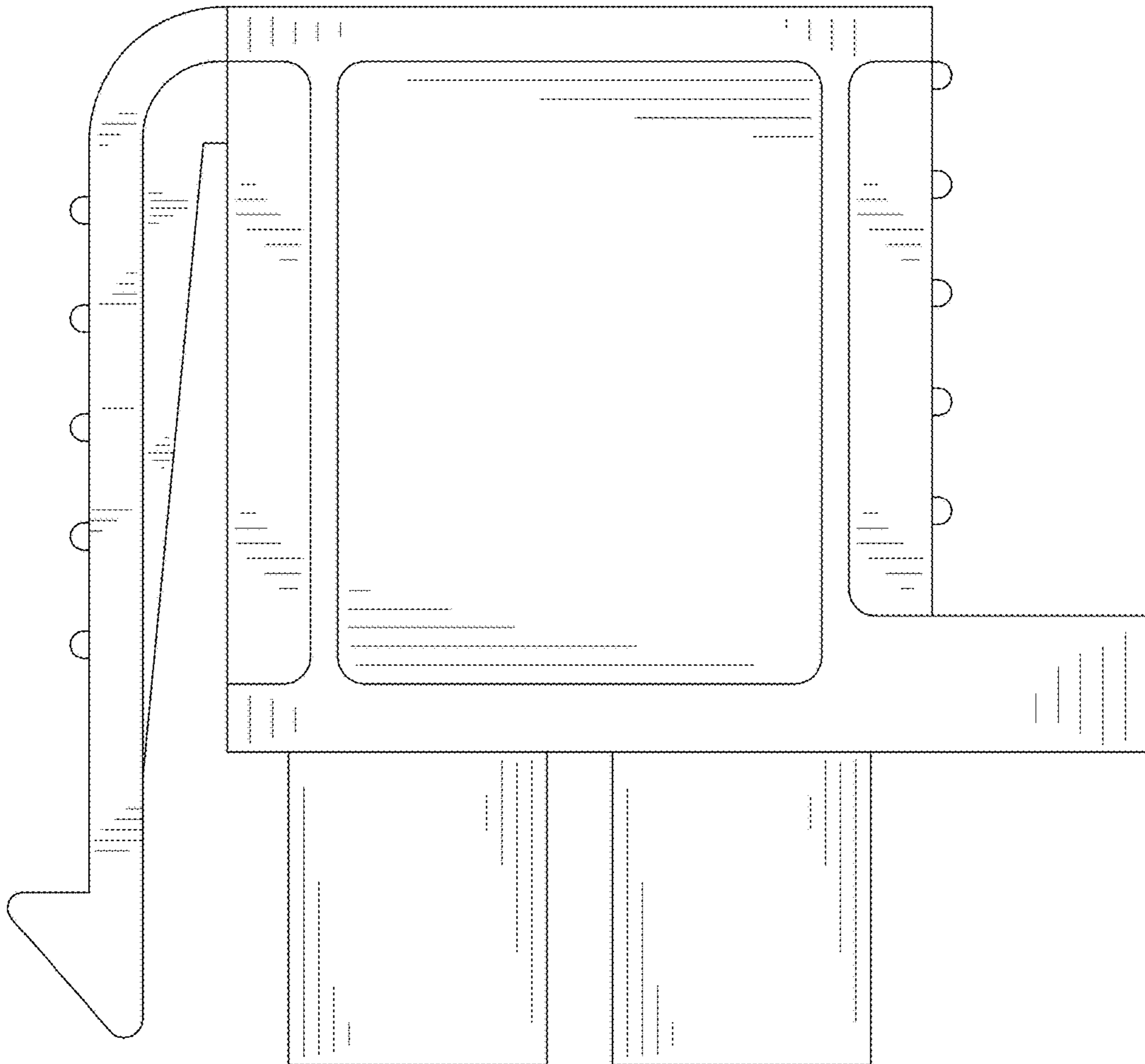


FIG. 3



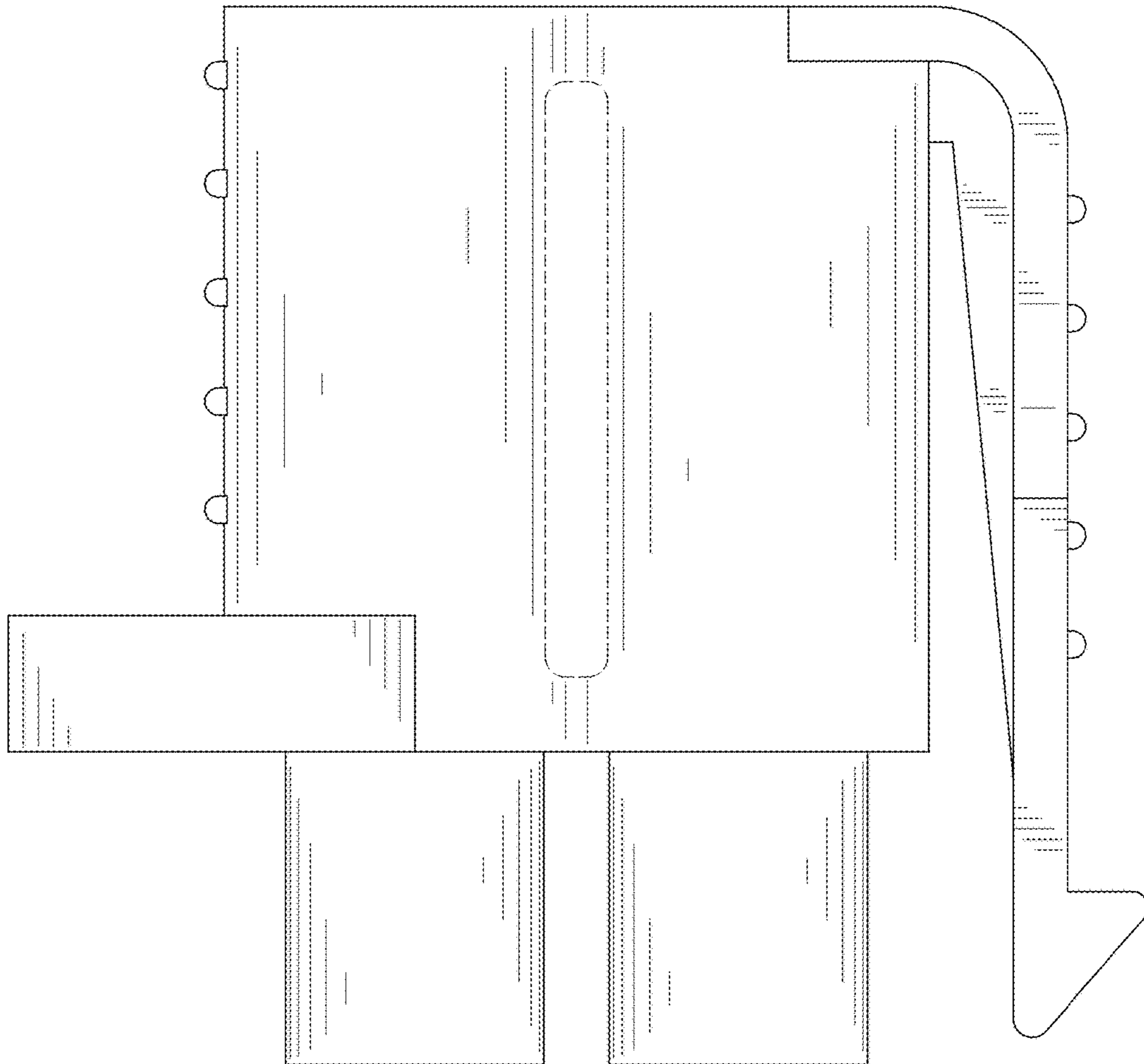


FIG. 4

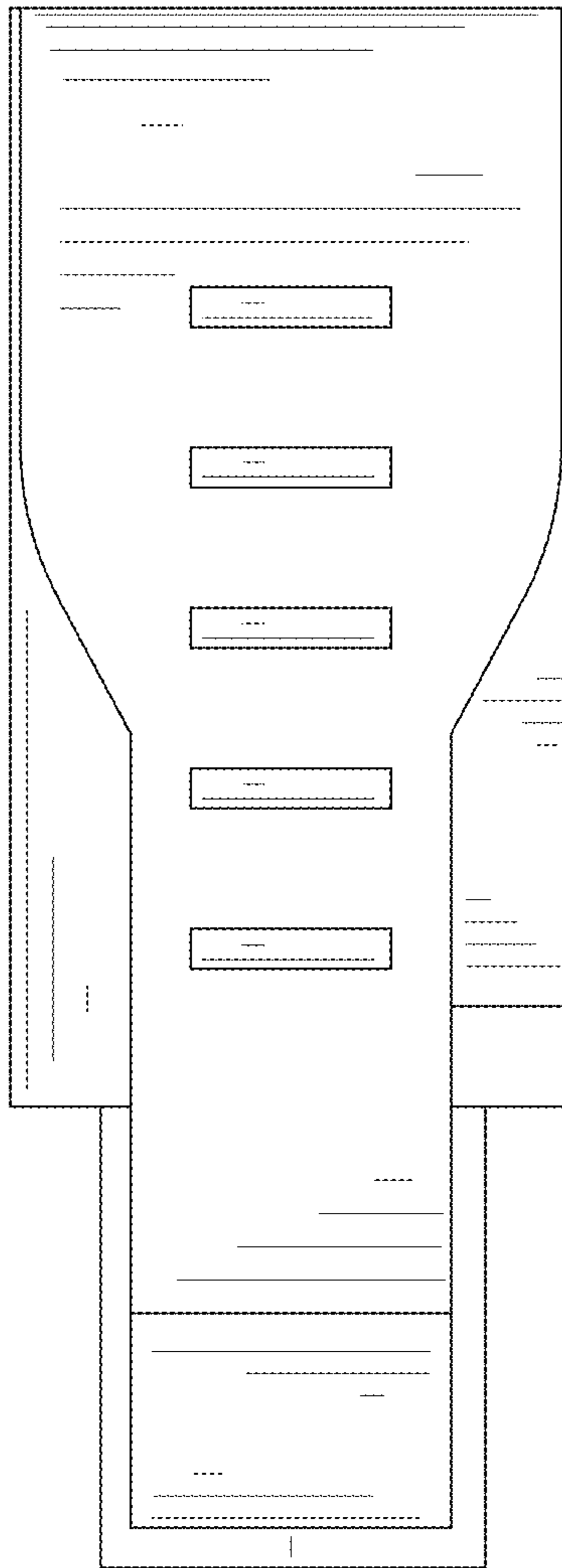


FIG. 5

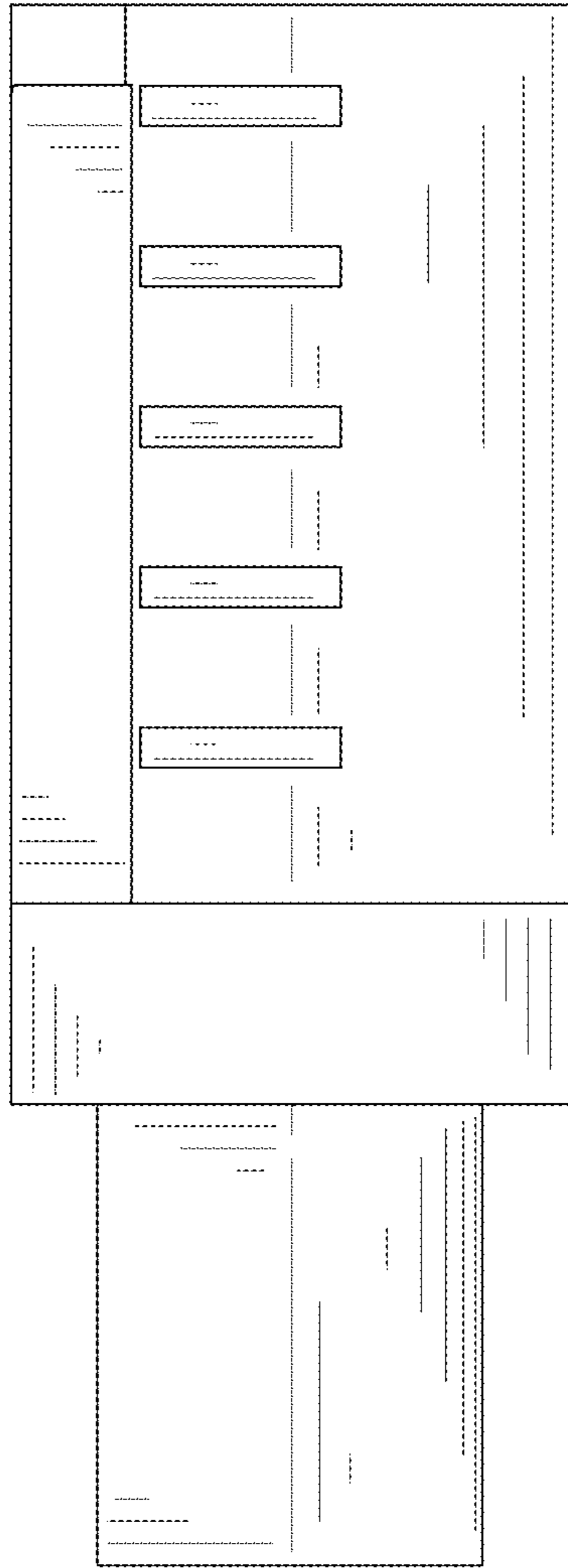


FIG. 6



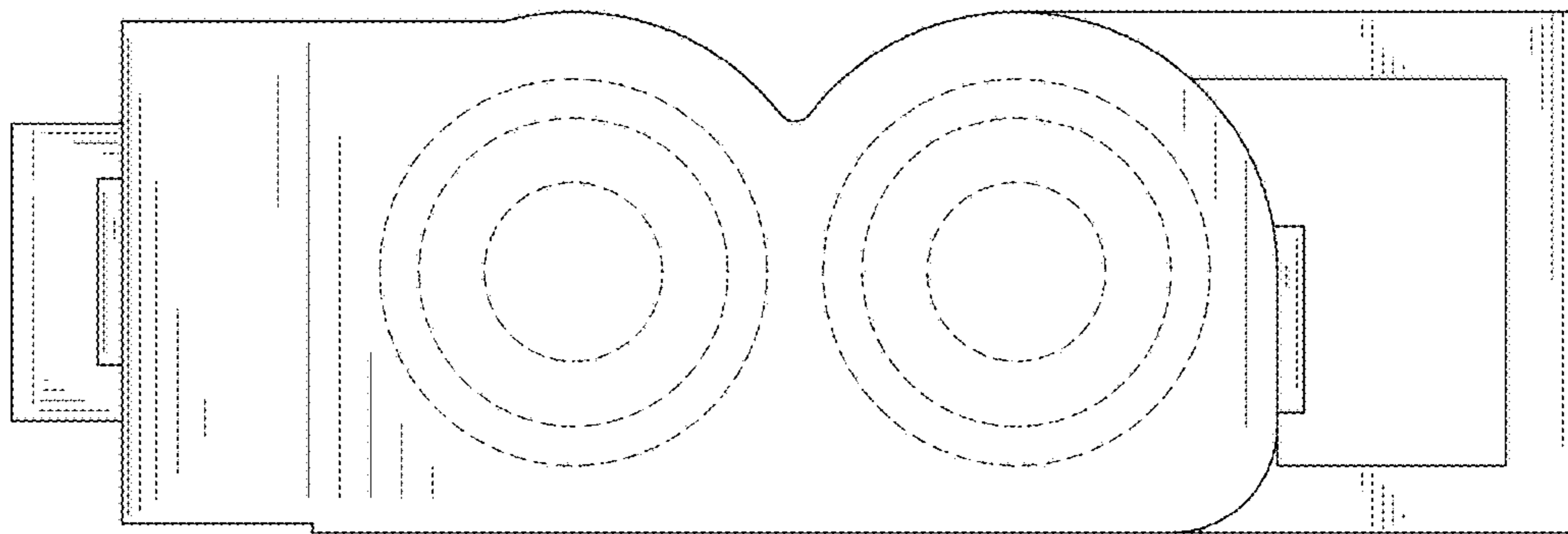


FIG. 7

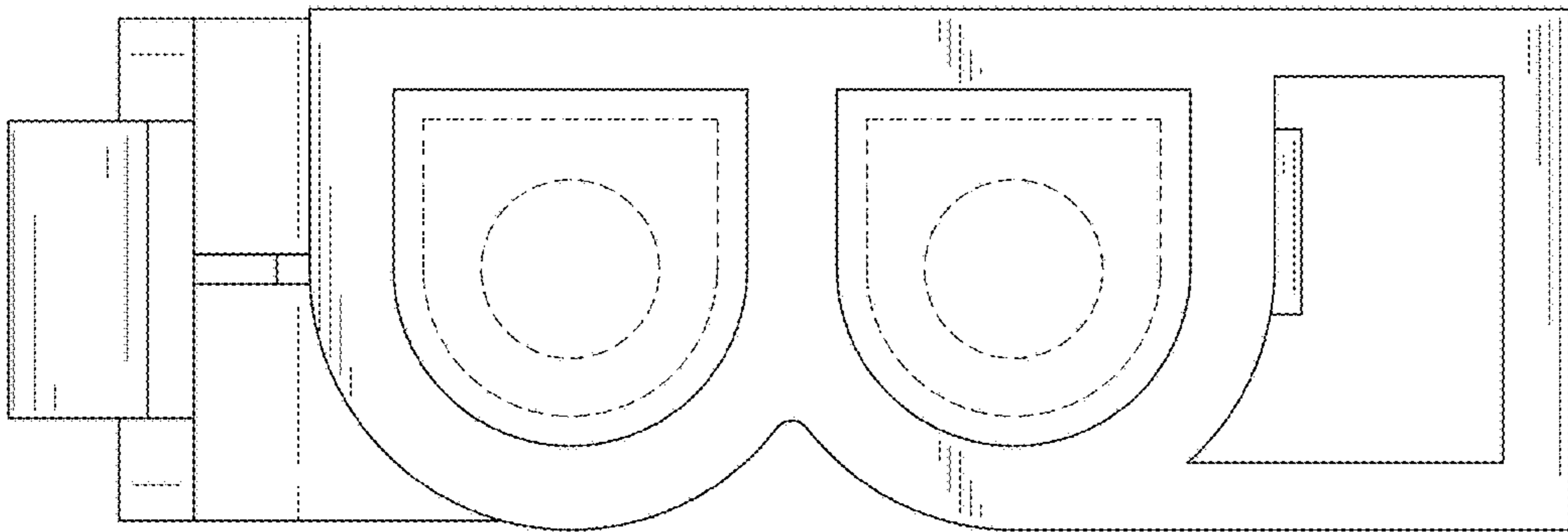


FIG. 8

UNITED STATES PATENT AND TRADEMARK OFFICE  
**CERTIFICATE OF CORRECTION**

PATENT NO. : D851,595 S  
APPLICATION NO. : 29/680552  
DATED : June 18, 2019  
INVENTOR(S) : Xiuying Chen

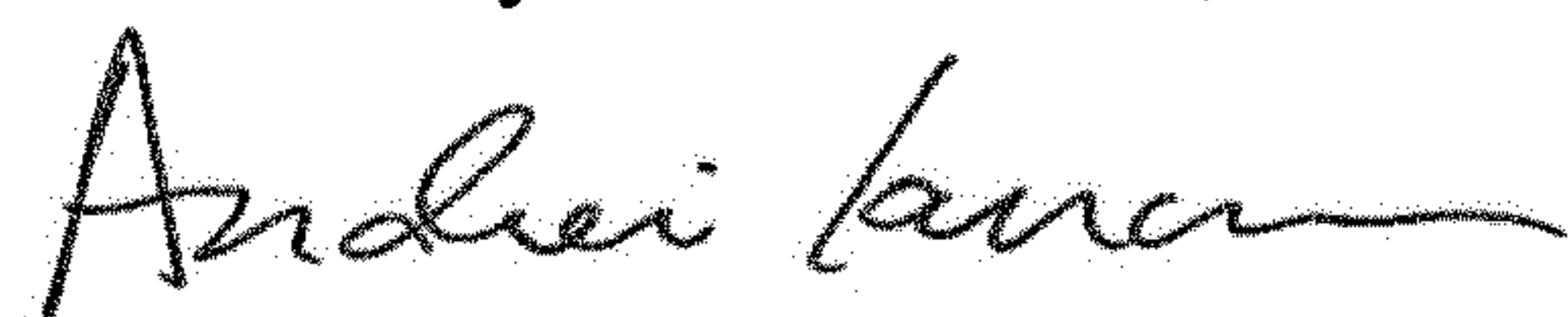
Page 1 of 1

It is certified that error appears in the above-identified patent and that said Letters Patent is hereby corrected as shown below:

On the Title Page

Item (71), The applicant's name, "Zhejiang Shijian Import and Export Co., Ltd." should be changed to: "Zhejiang Shijia Import and Export Co., Ltd."

Signed and Sealed this  
First Day of December, 2020



Andrei Iancu  
*Director of the United States Patent and Trademark Office*