



US00D851594S

(12) **United States Design Patent**
Wilfer

(10) **Patent No.:** **US D851,594 S**
(45) **Date of Patent:** **** Jun. 18, 2019**

(54) **POWER SOCKET**

(71) Applicant: **Hans-Peter Wilfer**, Markneukirchen
(DE)

(72) Inventor: **Hans-Peter Wilfer**, Markneukirchen
(DE)

(**) Term: **15 Years**

(21) Appl. No.: **29/607,457**

(22) Filed: **Jun. 13, 2017**

(30) **Foreign Application Priority Data**

Dec. 13, 2016 (EM) 003516079-001
Dec. 13, 2016 (EM) 003516079-002
Dec. 13, 2016 (EM) 003516079-003

(51) **LOC (11) Cl.** **13-03**

(52) **U.S. Cl.**
USPC **D13/133**

(58) **Field of Classification Search**
USPC D13/137.1–137.4, 138.1–138.2,
D13/139.1–139.8, 152–154, 108, 110,
D13/123, 133, 146, 147, 156, 158, 160;
D14/433, 434
CPC .. H01R 25/00; H01R 25/006; H01R 13/6675;
H01R 13/44; H01R 13/627; H01R
13/447; H01R 13/73; H01R 13/66; H01R
13/60; H01R 25/165; H03R 13/10; H03R
13/17; H03R 13/20; H03R 13/5829;
H05K 5/00; H05K 5/03
See application file for complete search history.

(56) **References Cited**

U.S. PATENT DOCUMENTS

D450,298 S * 11/2001 Suzuki D13/133
D475,348 S * 6/2003 D’Addario D13/133
D480,050 S * 9/2003 Darrow D13/133
D508,466 S * 8/2005 Dobler D13/154
D542,225 S * 5/2007 Victor D13/154

D550,623 S * 9/2007 McCann D13/133
D559,781 S * 1/2008 Victor D13/133
D587,204 S * 2/2009 Bachmann D13/133
D638,800 S * 5/2011 The D13/154

(Continued)

OTHER PUBLICATIONS

Amazon.com: Mogami Platinum Guitar-03RR Pedal Effects Instru-
ment Cable. Published Sep. 22, 2015. Retrieved from the internet at
<<https://www.amazon.com/dp/B015NSUHJM/>>, Jul. 30, 2018. 1
page. (Year: 2015).*

(Continued)

Primary Examiner — Rosemary K Tarcza
Assistant Examiner — Christy M Nemeth
(74) *Attorney, Agent, or Firm* — Scarinci Hollenbeck,
LLC

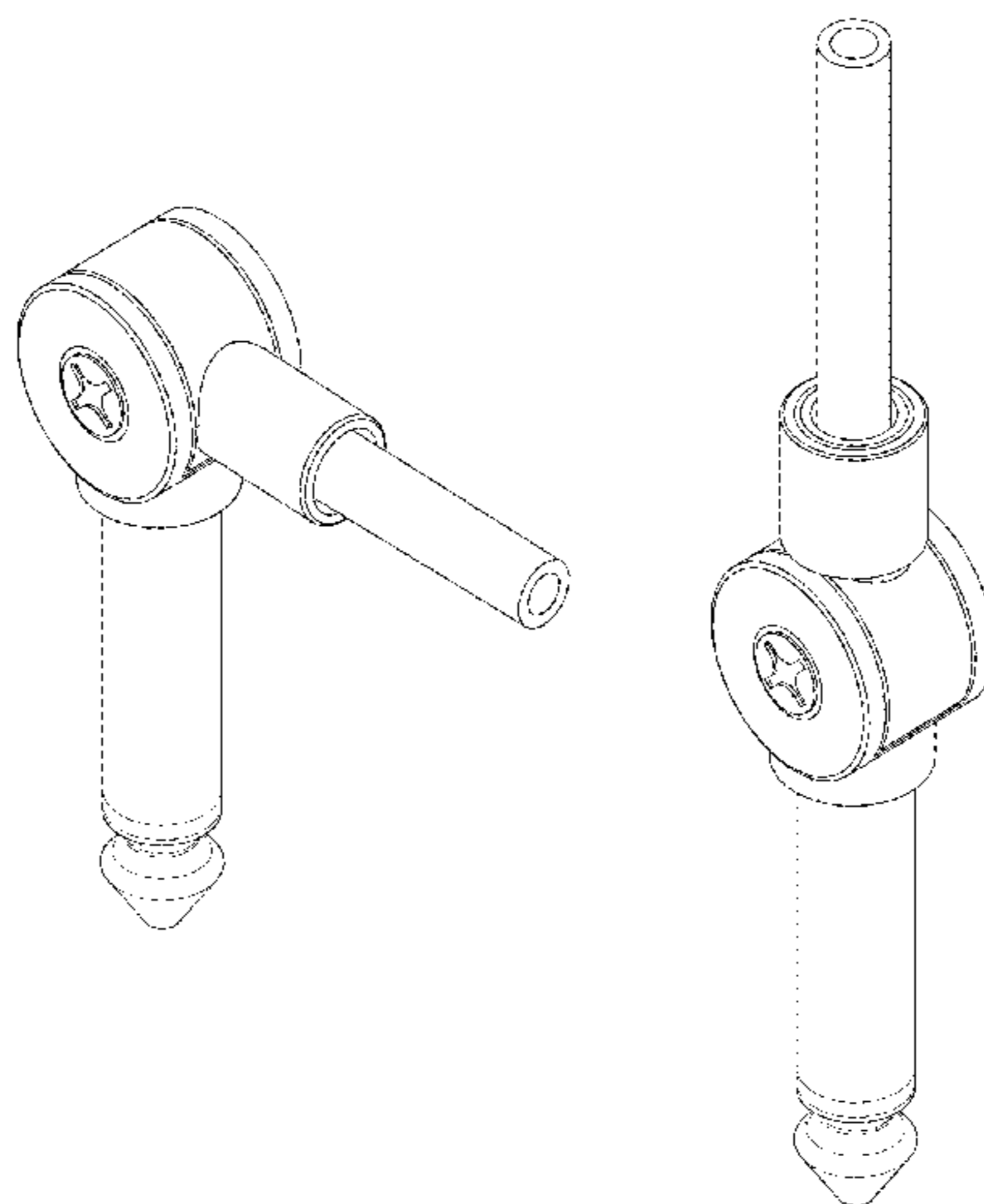
(57) **CLAIM**

The ornamental design for an electrical connector, as shown
and described.

DESCRIPTION

FIG. 1 is a rear elevation view of an electrical connector
according to a first configuration;
FIG. 2 is a front elevation view thereof;
FIG. 3 is a left side elevation view thereof;
FIG. 4 is a right side elevation view thereof;
FIG. 5 is a top plan view thereof;
FIG. 6 is a front, right side perspective view thereof;
FIG. 7 is a bottom plan view thereof;
FIG. 8 is a rear elevation view of the electrical connector
according to a second configuration;
FIG. 9 is a front elevation view thereof;
FIG. 10 is a left side elevation view thereof;
FIG. 11 is a right side elevation view thereof;
FIG. 12 is a top plan view thereof;
FIG. 13 is a front, right side perspective view thereof; and,
FIG. 14 is a bottom plan view thereof.

1 Claim, 14 Drawing Sheets



(56)

References Cited

U.S. PATENT DOCUMENTS

D645,022	S	*	9/2011	Lee	D13/154
D703,148	S	*	4/2014	Lee	D13/154
D703,149	S	*	4/2014	Lee	D13/154
D704,642	S	*	5/2014	Yamamoto	D13/133
D721,039	S	*	1/2015	Hoshino	D13/147
D808,338	S	*	1/2018	Messadek	D13/133

OTHER PUBLICATIONS

Amazon.com: Cloudmusic Guitar Pedal Connector. Published Jul. 6, 2017. Retrieved from the internet at <<https://www.amazon.com/dp/B073S2PC49/>>, Jul. 30, 2018. 1 page. (Year: 2017).*

* cited by examiner

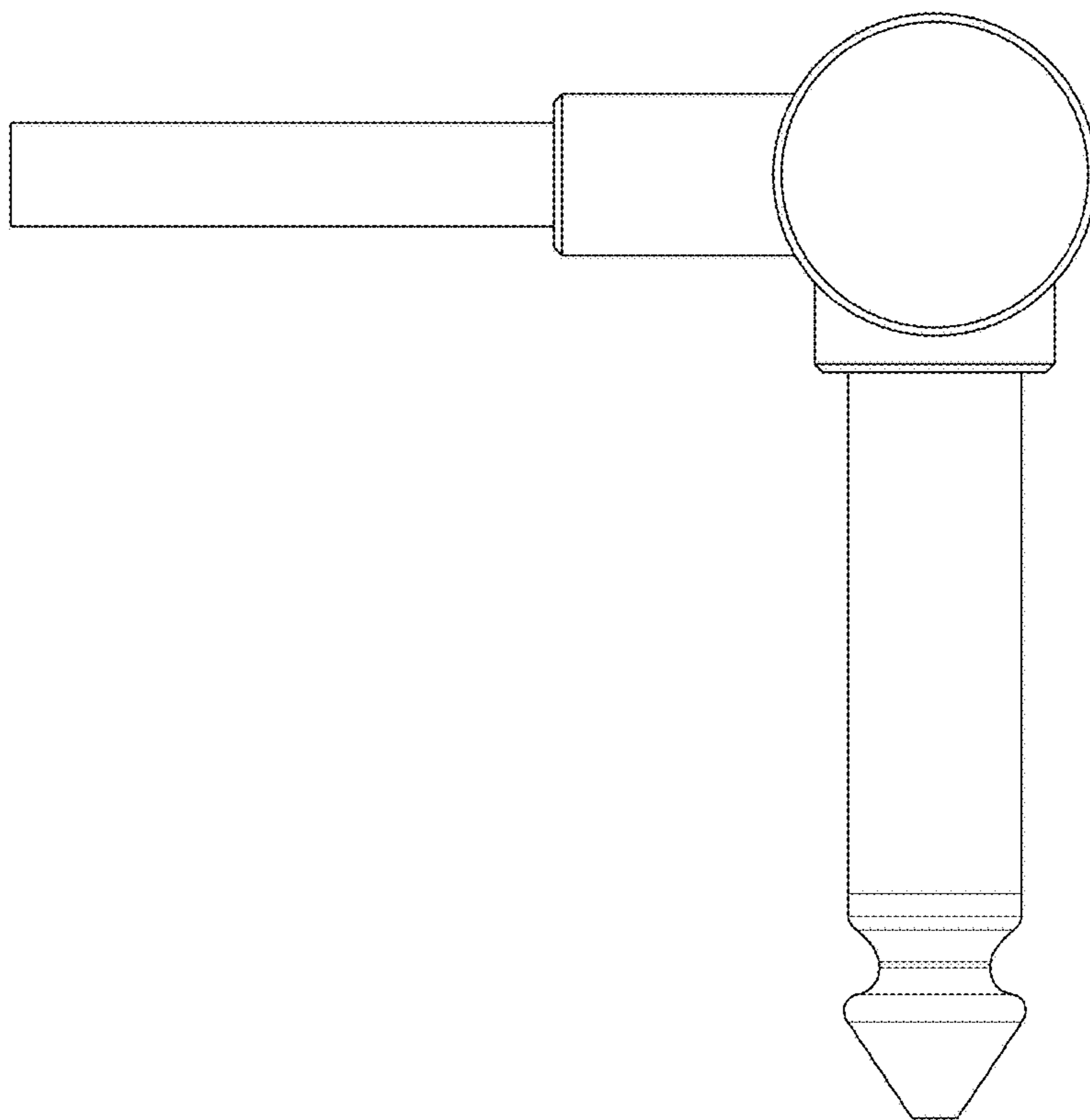


FIG. 1

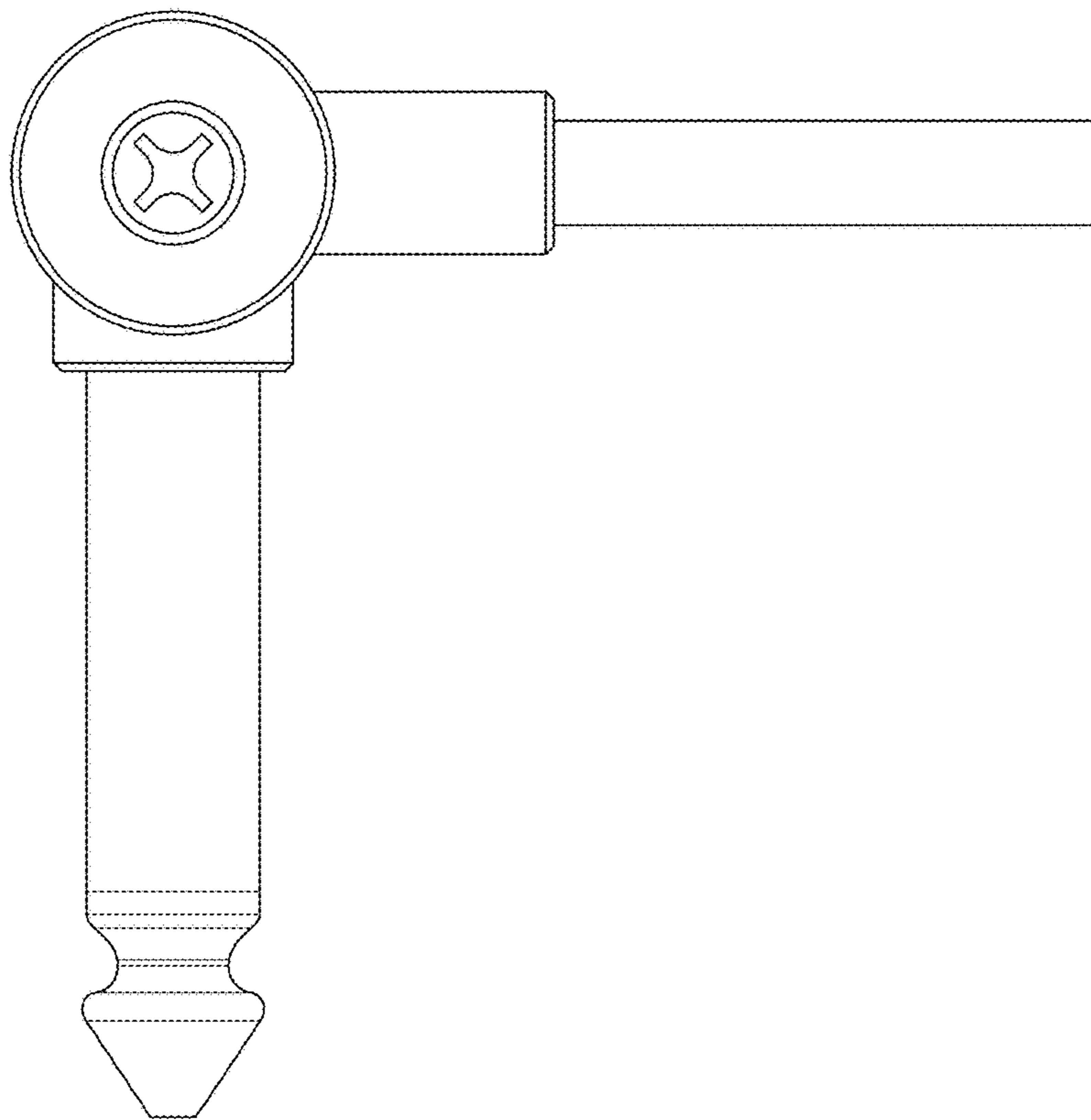


FIG. 2

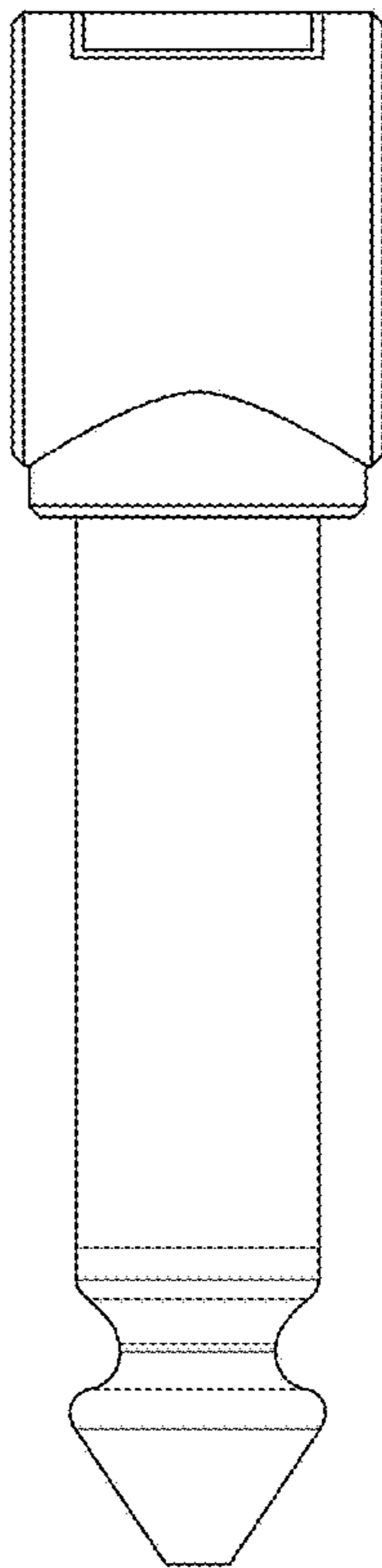


FIG. 3

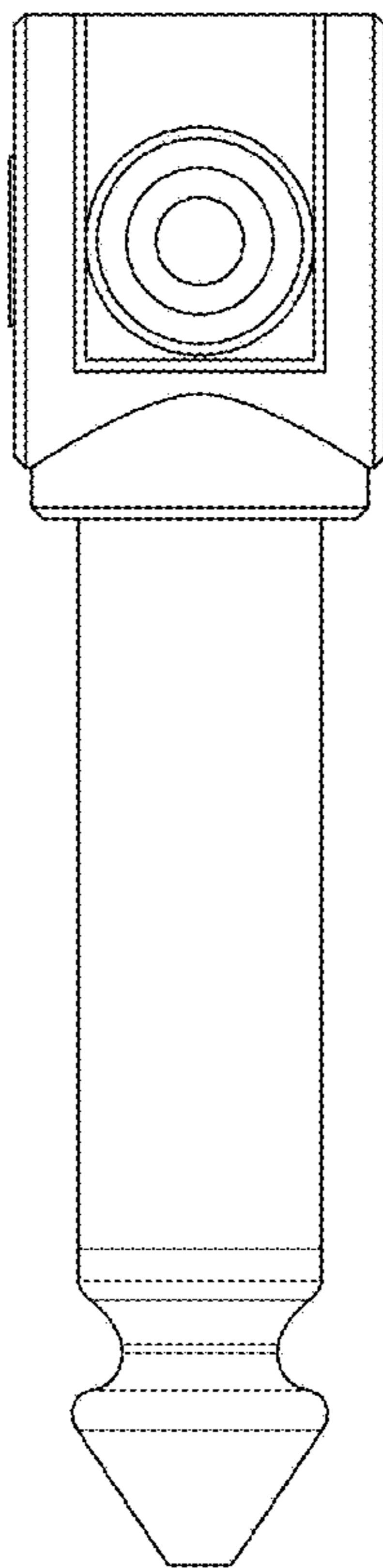


FIG. 4

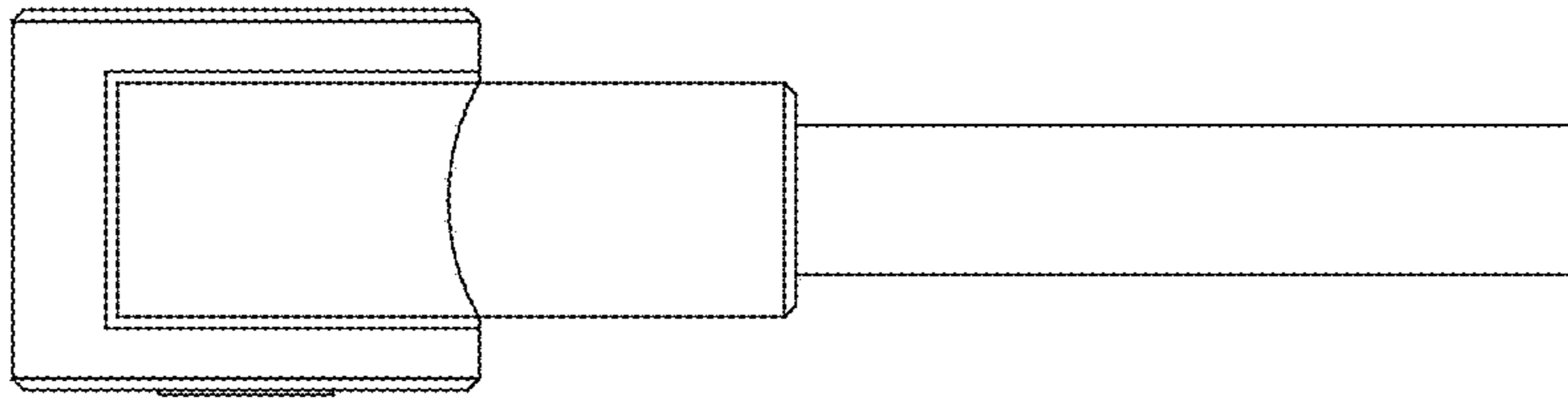


FIG. 5

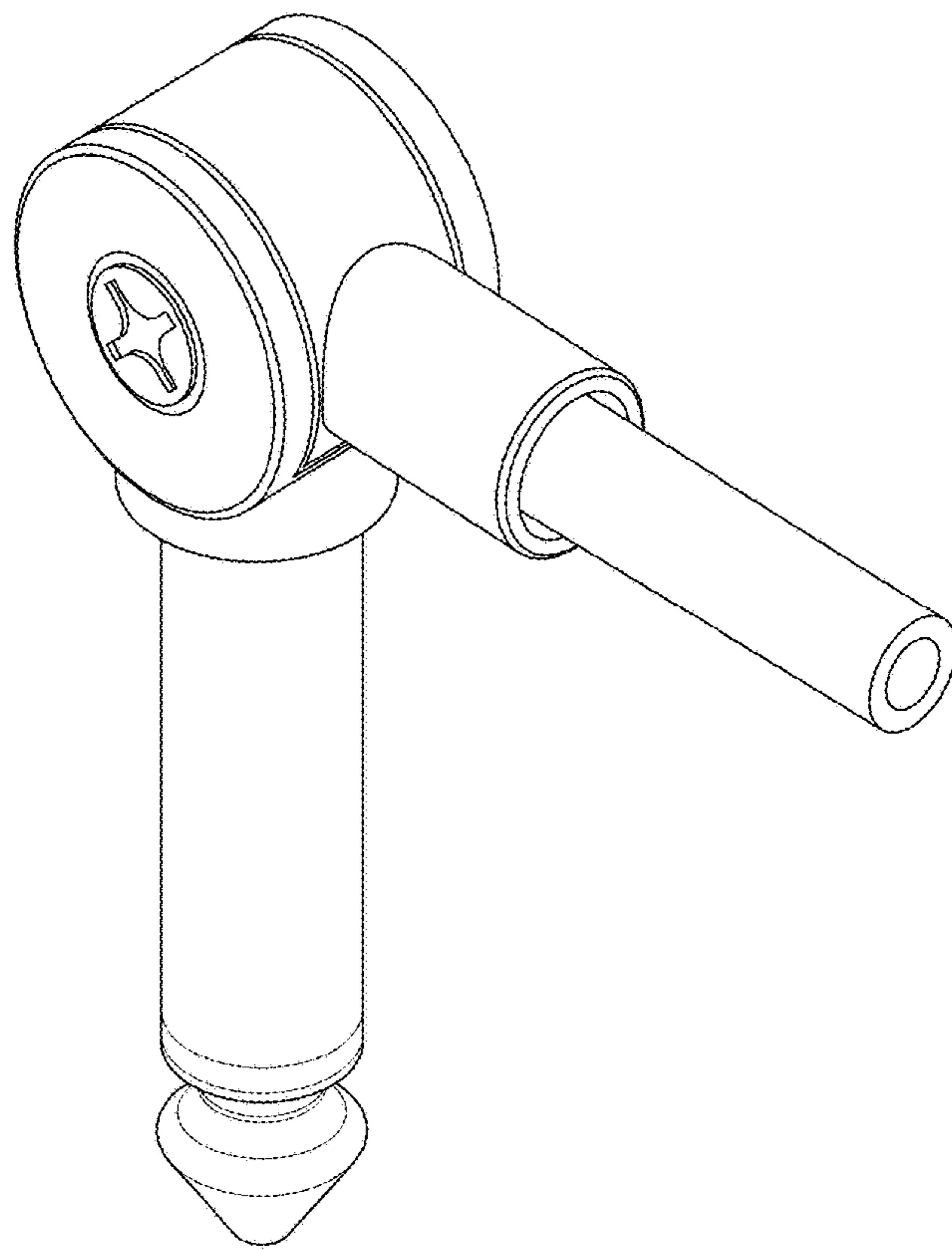


FIG. 6

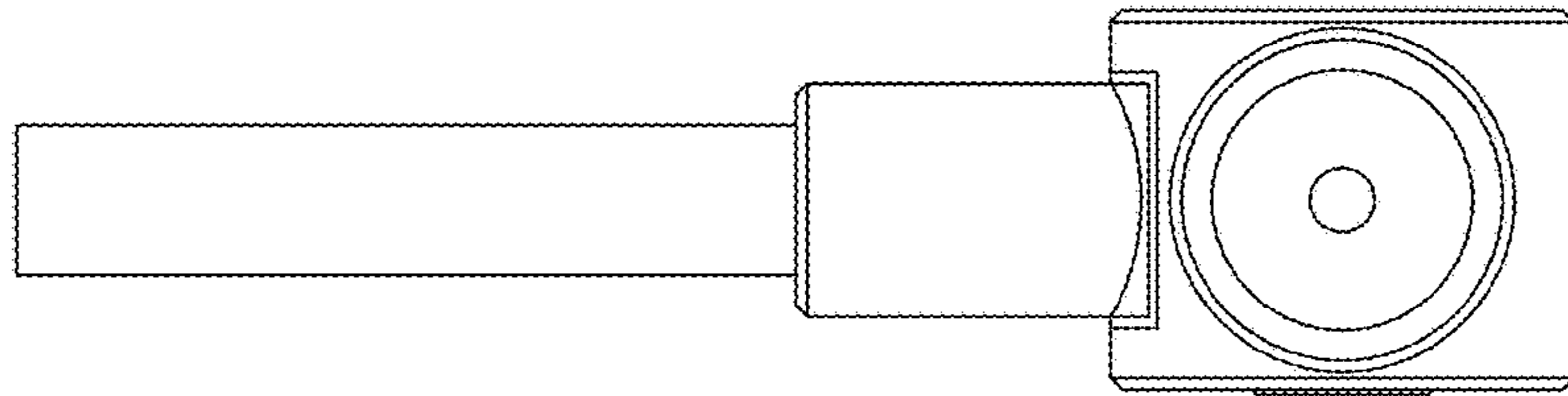


FIG. 7

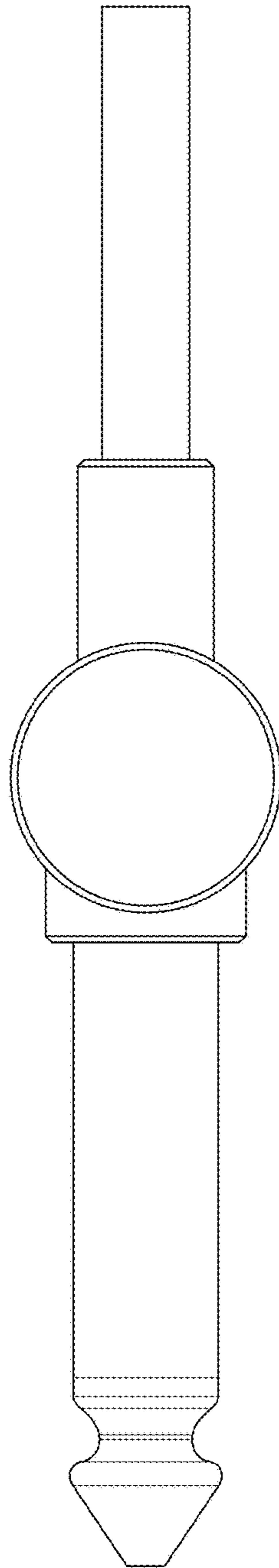


FIG. 8

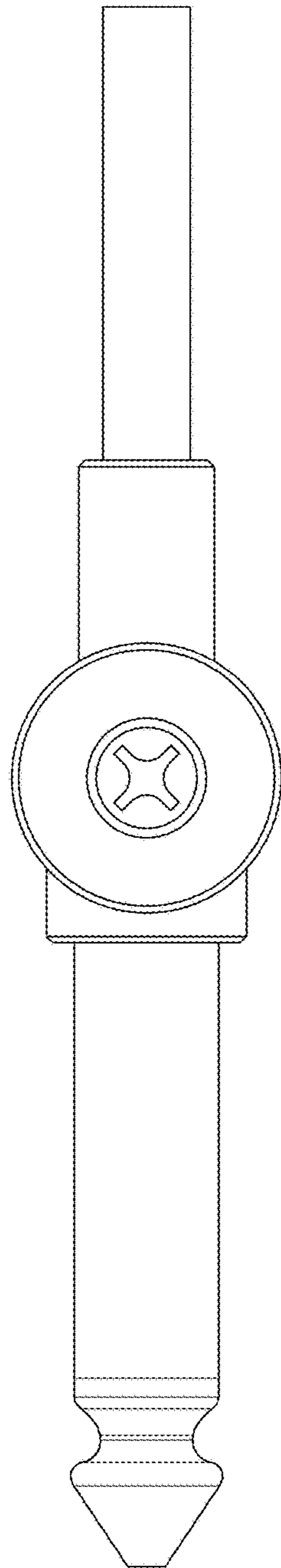


FIG. 9

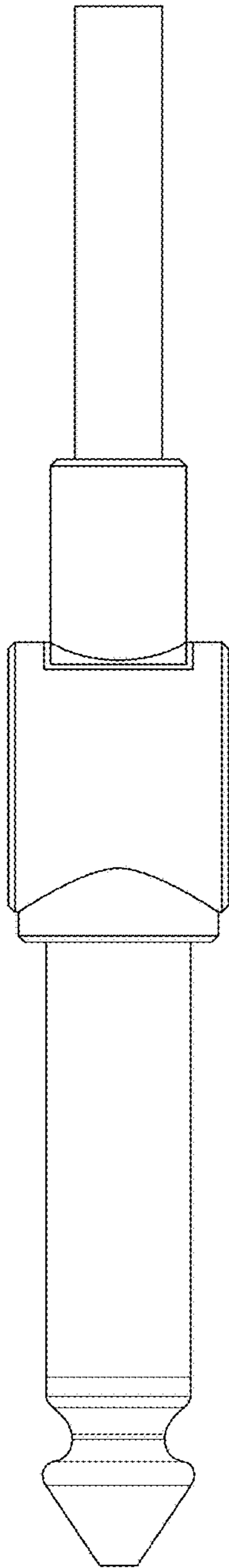


FIG. 10

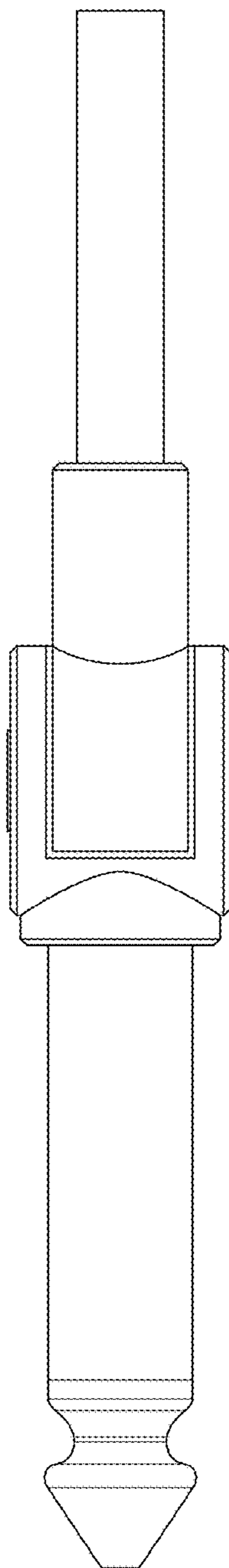


FIG. 11

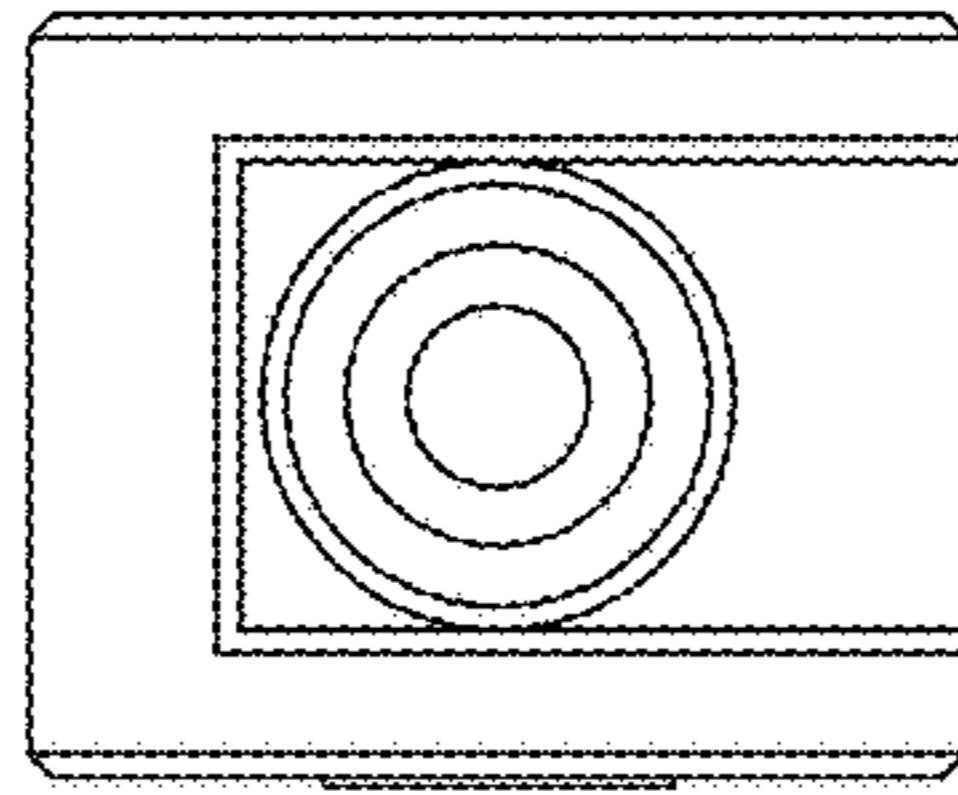


FIG. 12

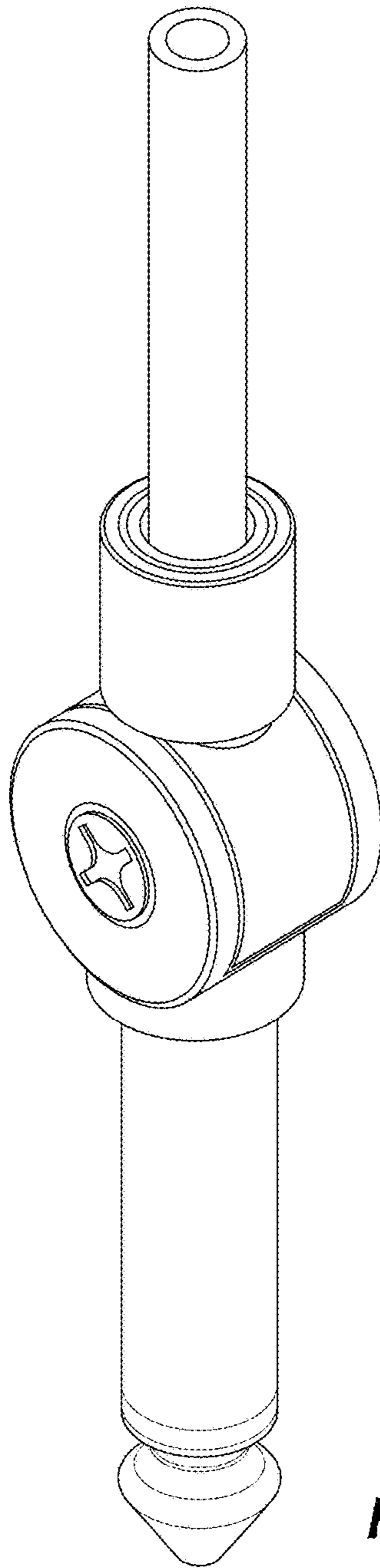


FIG. 13

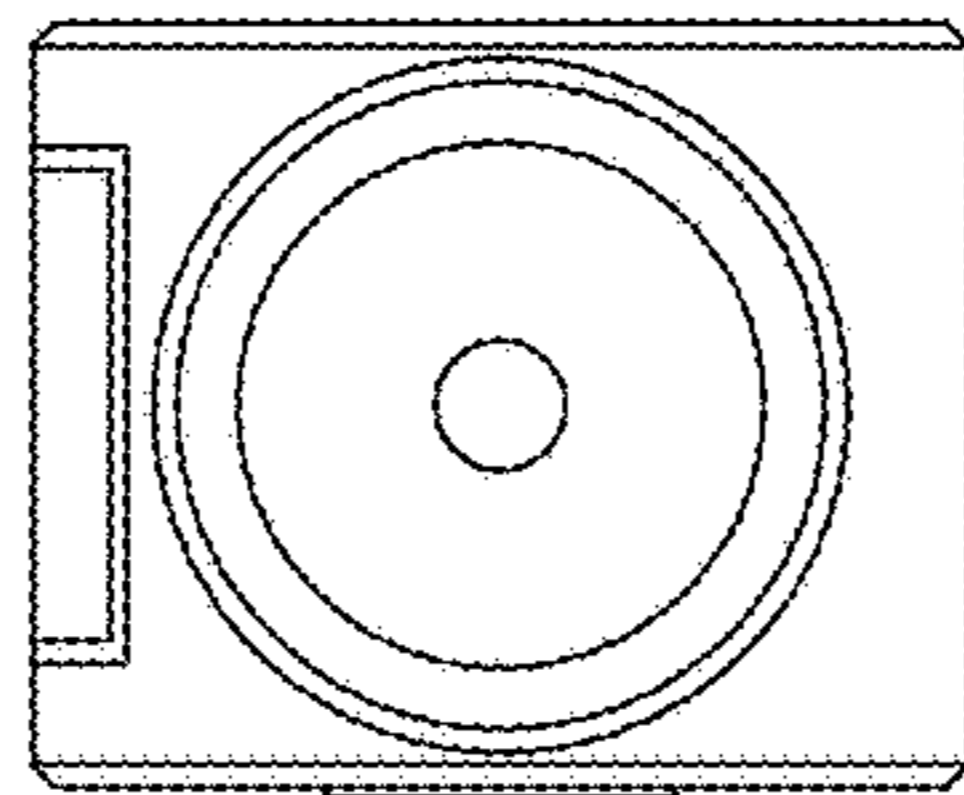


FIG. 14