



US00D851592S

(12) **United States Design Patent**  
**Poikolainen et al.**

(10) **Patent No.:** **US D851,592 S**  
(45) **Date of Patent:** **\*\* Jun. 18, 2019**

- (54) **POWER DISTRIBUTION DEVICE**
- (71) Applicant: **ABB OY**, Helsinki (FI)
- (72) Inventors: **Seppo Poikolainen**, Vantaa (FI); **Mikko Nupponen**, Espo (FI)
- (73) Assignee: **ABB Schweiz AG**, Baden (CH)
- (\*\*) Term: **15 Years**
- (21) Appl. No.: **29/559,938**
- (22) Filed: **Apr. 1, 2016**

**Related U.S. Application Data**

- (62) Division of application No. 29/509,080, filed on Nov. 13, 2014, now Pat. No. Des. 792,848.

**Foreign Application Priority Data**

- Jun. 5, 2014 (EM) ..... 002477166-0001
- Jun. 5, 2014 (EM) ..... 002477166-0002
- Jun. 5, 2014 (EM) ..... 002477166-0003

- (51) **LOC (11) Cl.** ..... **13-03**
- (52) **U.S. Cl.**  
USPC ..... **D13/123**
- (58) **Field of Classification Search**  
USPC ..... D13/110, 123, 139.1–139.4, 162.1, 182,  
D13/152, 160, 184; 361/641, 601;  
D14/365; 174/50.52; 307/71  
CPC . H02B 1/305; H02B 1/20; H02B 1/52; G05B  
19/414  
See application file for complete search history.

**References Cited**

**U.S. PATENT DOCUMENTS**

- 5,070,429 A \* 12/1991 Skirpan ..... H02B 1/305  
361/641
- D340,040 S \* 10/1993 Gifford ..... D14/365

- D358,753 S \* 5/1995 Yoshida ..... D13/123
- D365,082 S \* 12/1995 Cook, II ..... D13/110
- 5,493,194 A \* 2/1996 Damiano ..... G05B 19/414  
307/71
- D409,139 S \* 5/1999 Cornell ..... D13/107
- D410,624 S \* 6/1999 Loh ..... D13/110
- D449,817 S \* 10/2001 Takeuchi ..... D13/110
- D514,518 S 2/2006 Strayer
- D541,743 S \* 5/2007 Virolainen ..... D13/110
- 7,848,085 B2 \* 12/2010 Gerber ..... H02B 1/52  
174/50.52
- 8,427,815 B2 \* 4/2013 Fontana ..... H02B 1/20  
361/601
- D682,212 S 5/2013 Udagawa
- D689,024 S \* 9/2013 Takata ..... D13/152
- D753,589 S \* 4/2016 Reiner ..... D13/110
- D758,969 S \* 6/2016 Kato ..... D13/123
- D770,975 S \* 11/2016 Nada ..... D13/110
- D771,565 S \* 11/2016 Saarivirta ..... D13/110
- D772,161 S \* 11/2016 Saarivirta ..... D13/110
- D775,072 S \* 12/2016 Reiner ..... D13/110

(Continued)

*Primary Examiner* — Rhea Shields

(74) *Attorney, Agent, or Firm* — Taft Stettinius & Hollister LLP; J. Bruce Schelkopf

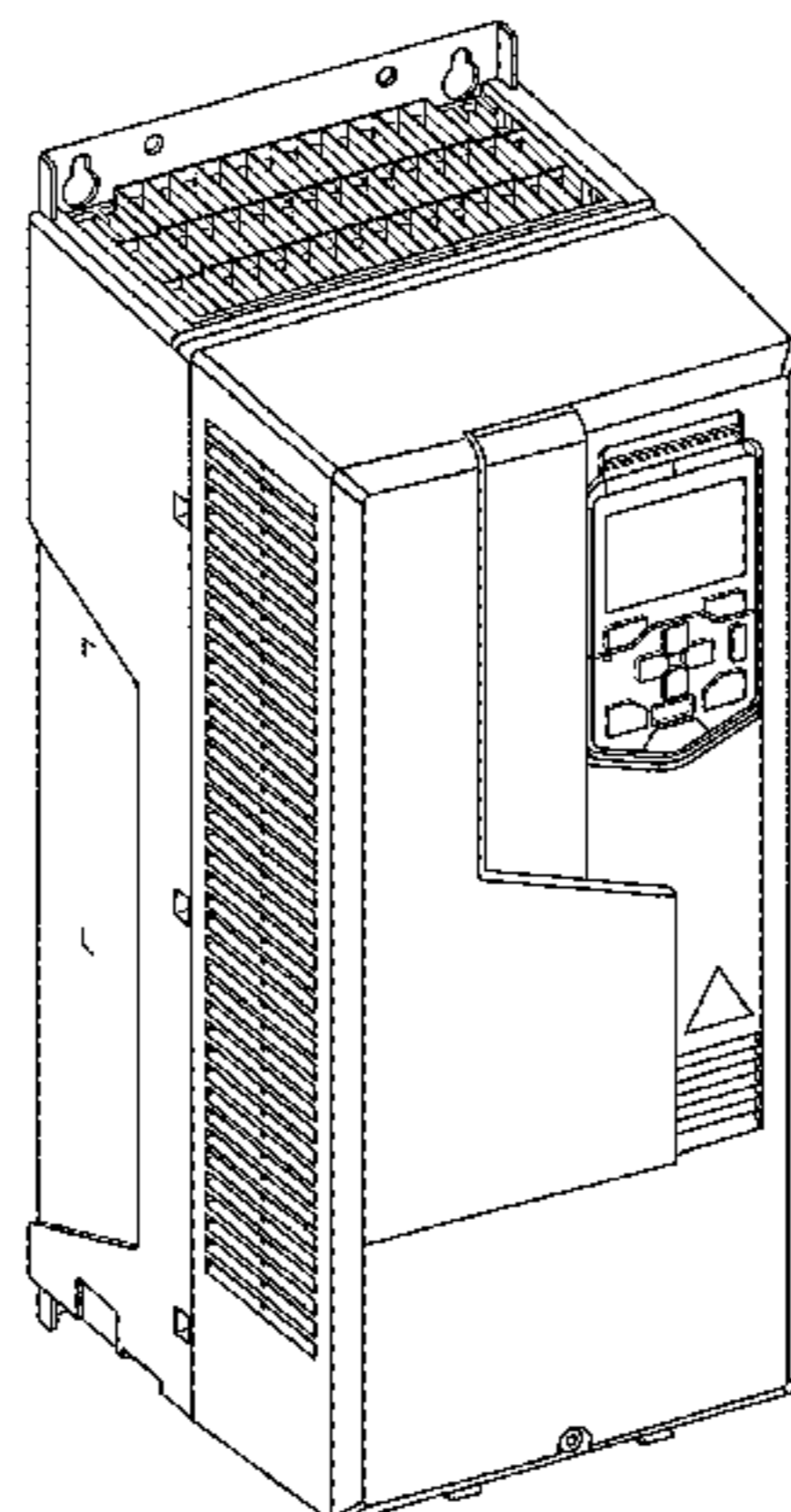
(57) **CLAIM**

The ornamental design for a power distribution device, as shown and described.

**DESCRIPTION**

FIG. 1 is a front, left perspective view of a power distribution device showing our new design.  
 FIG. 2 is a front elevational view thereof.  
 FIG. 3 is a rear, right perspective view thereof.  
 FIG. 4 is a rear elevational view thereof.  
 FIG. 5 is a top plan view thereof.  
 FIG. 6 is a bottom plan view thereof.  
 FIG. 7 is a left side elevational view thereof; and,  
 FIG. 8 is a right side elevational view thereof.

**1 Claim, 8 Drawing Sheets**



(56)

**References Cited**

U.S. PATENT DOCUMENTS

D788,702	S	*	6/2017	Jo	.....	D13/110
D791,723	S	*	7/2017	Klingebiel	.....	D13/184
D792,848	S	*	7/2017	Poikolainen	.....	D13/139.4
D798,245	S	*	9/2017	Lecoanet	.....	D13/160
D800,071	S	*	10/2017	Hamari	.....	D13/152
D804,417	S	*	12/2017	Baacke	.....	D13/110
D811,327	S	*	2/2018	Mueller	.....	D13/110
D811,332	S	*	2/2018	Siddiqui	.....	D13/123
D815,041	S	*	4/2018	Viman	.....	D13/123
D815,606	S	*	4/2018	Nada	.....	D13/162.1
D821,323	S	*	6/2018	Viman	.....	D13/123
D821,324	S	*	6/2018	Viman	.....	D13/123
D825,460	S	*	8/2018	Mueller	.....	D13/110
D825,501	S	*	8/2018	Yamaguchi	.....	D13/182
2015/0116937	A1		4/2015	Huesgen		

\* cited by examiner

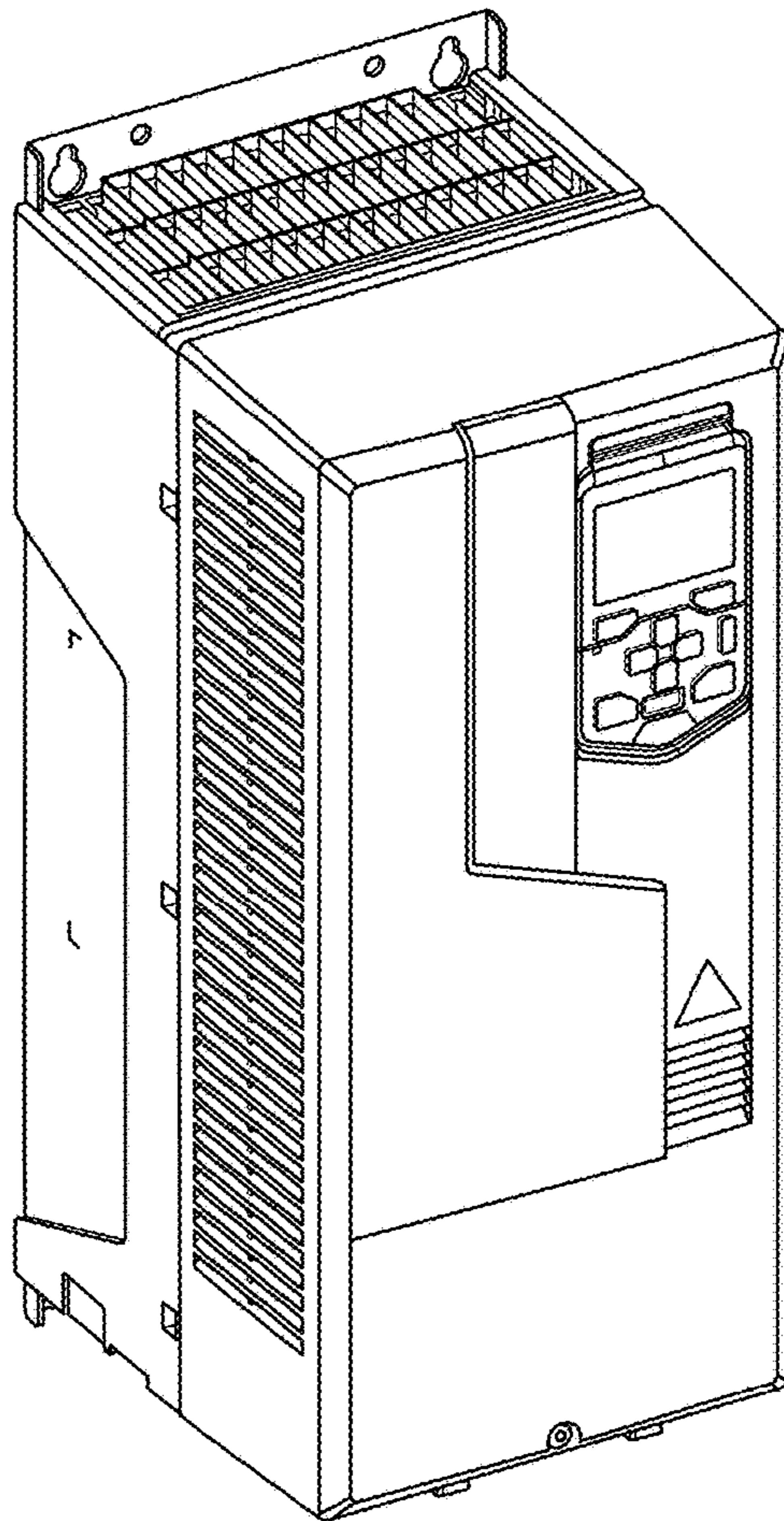


FIG. 1

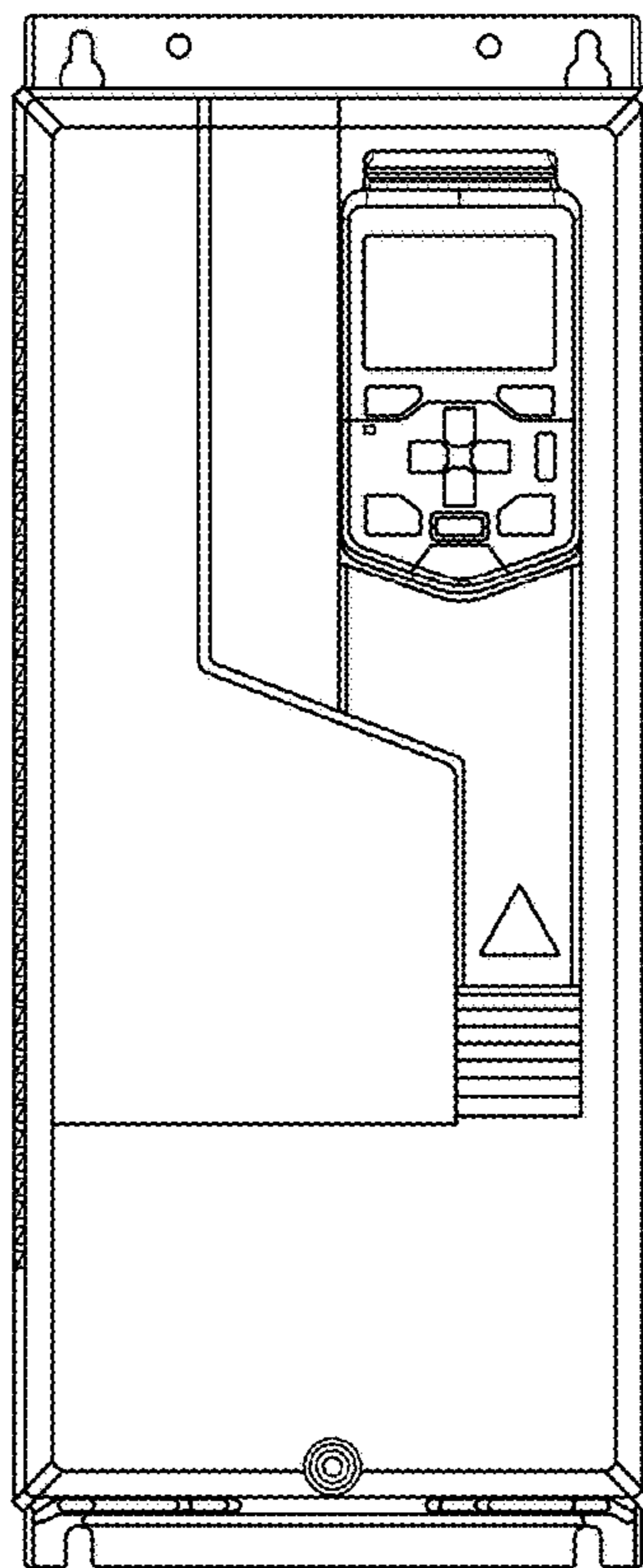


FIG. 2

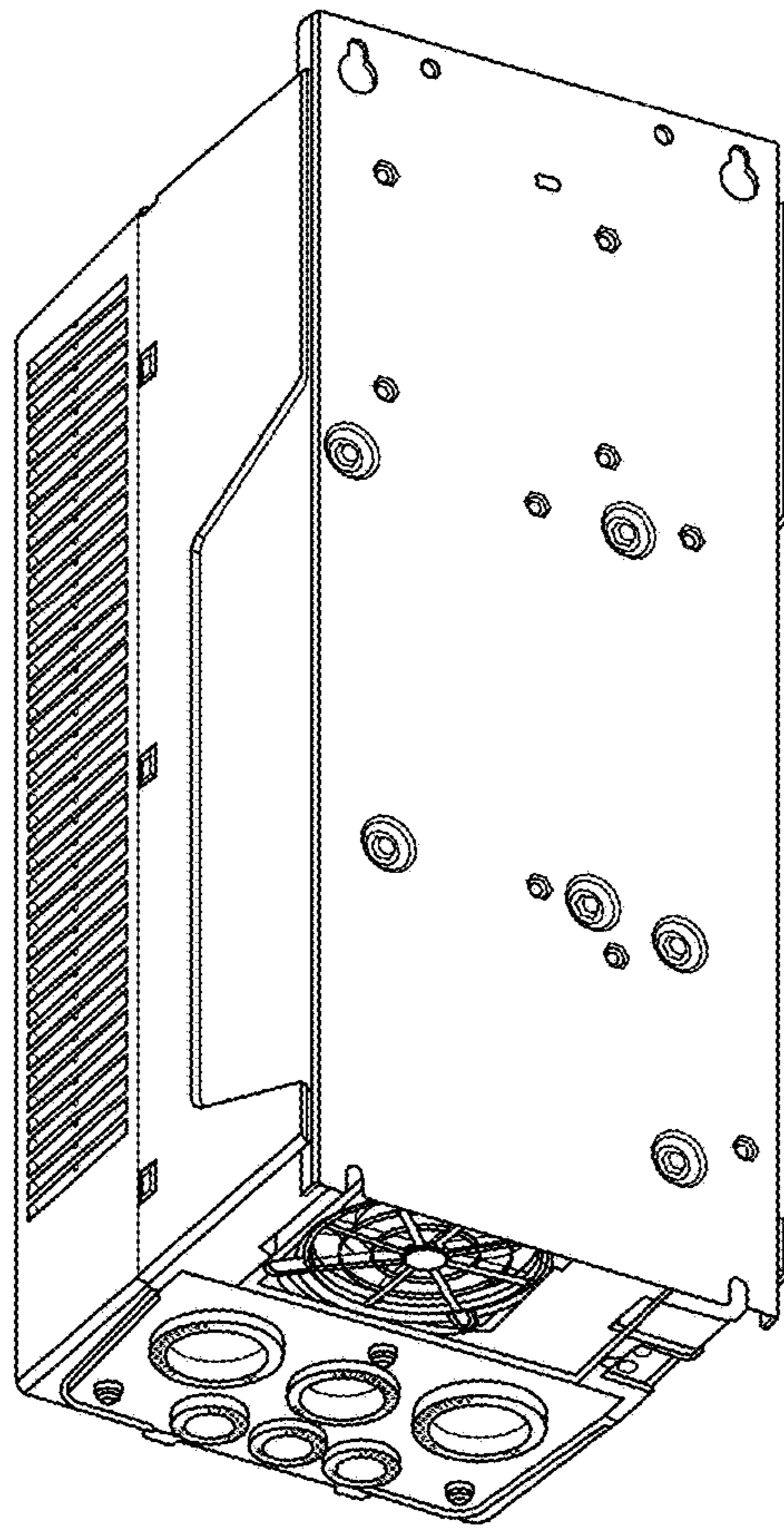


FIG. 3

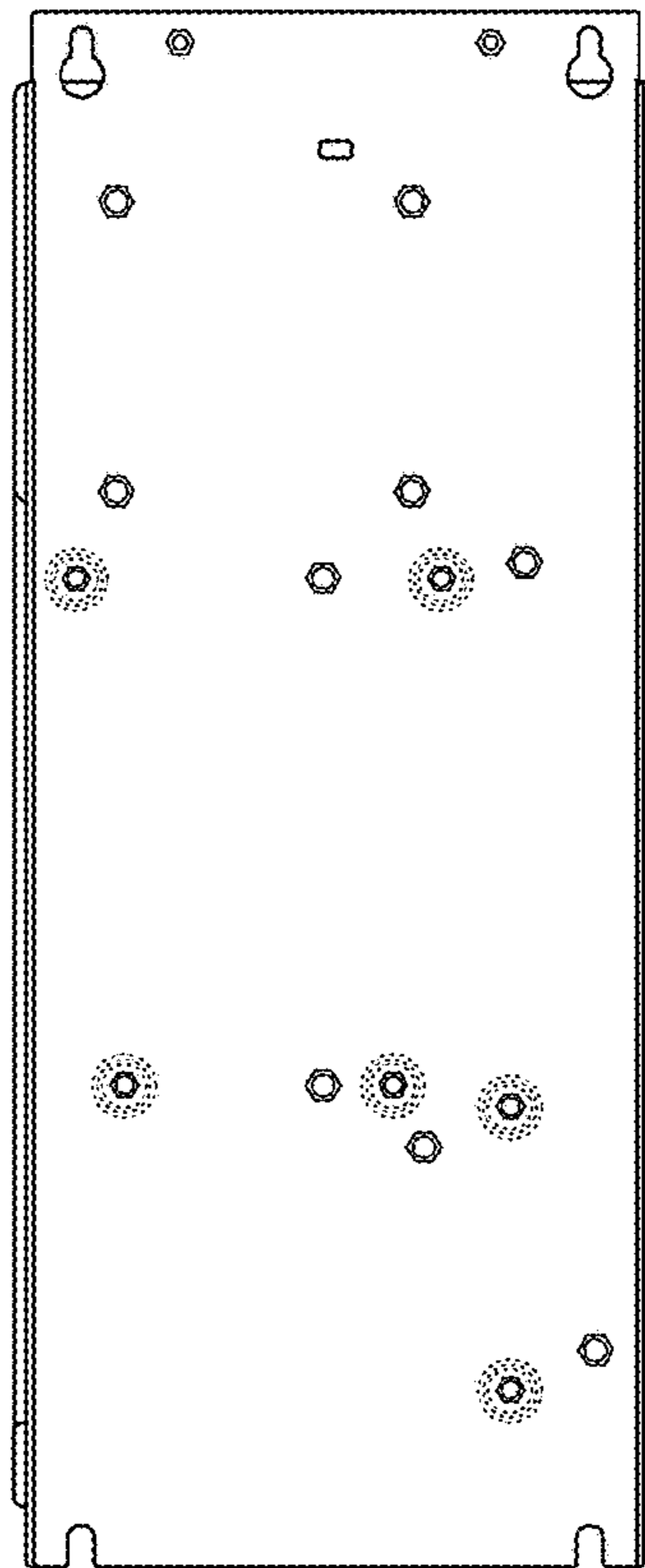


FIG. 4

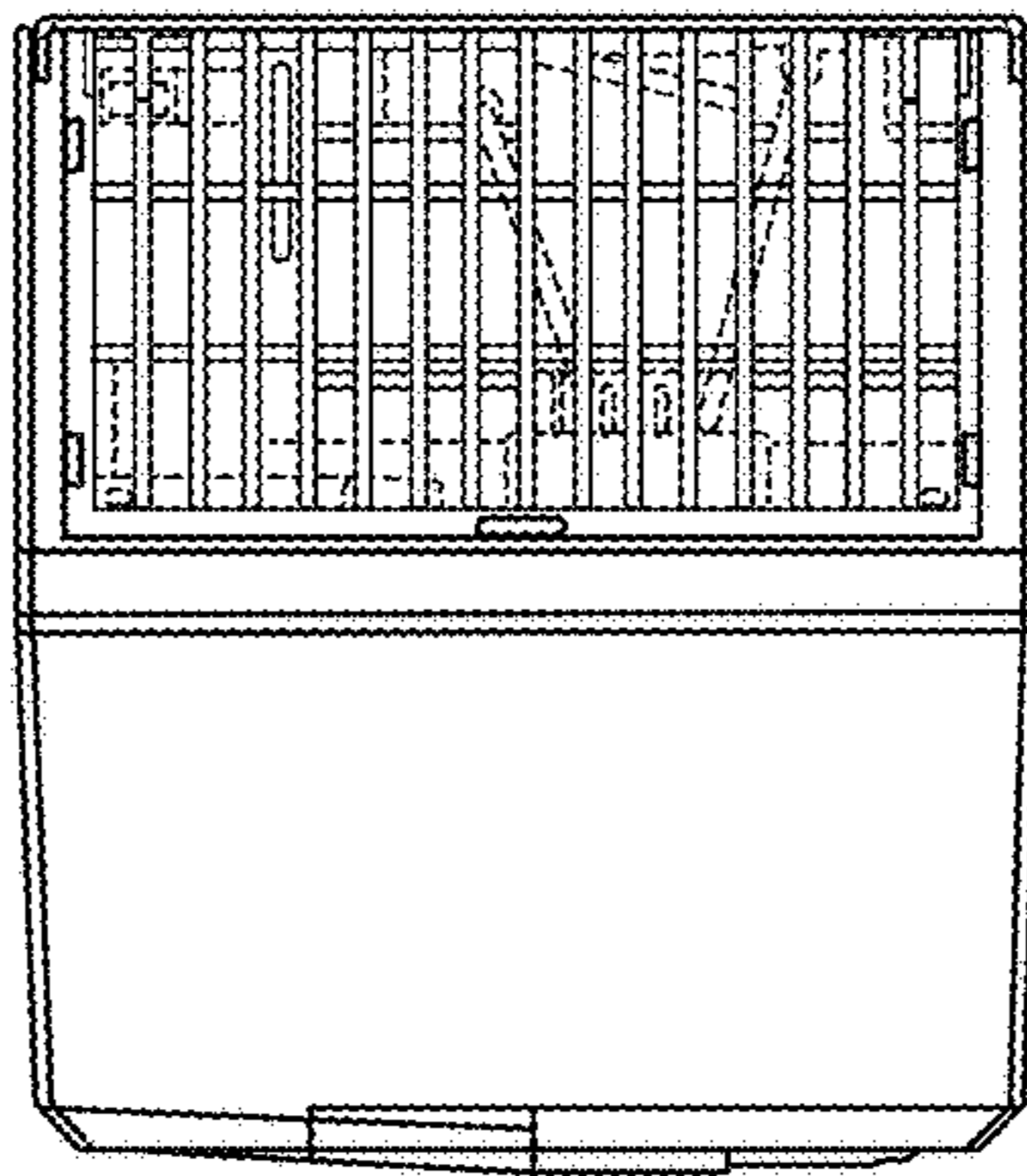


FIG. 5

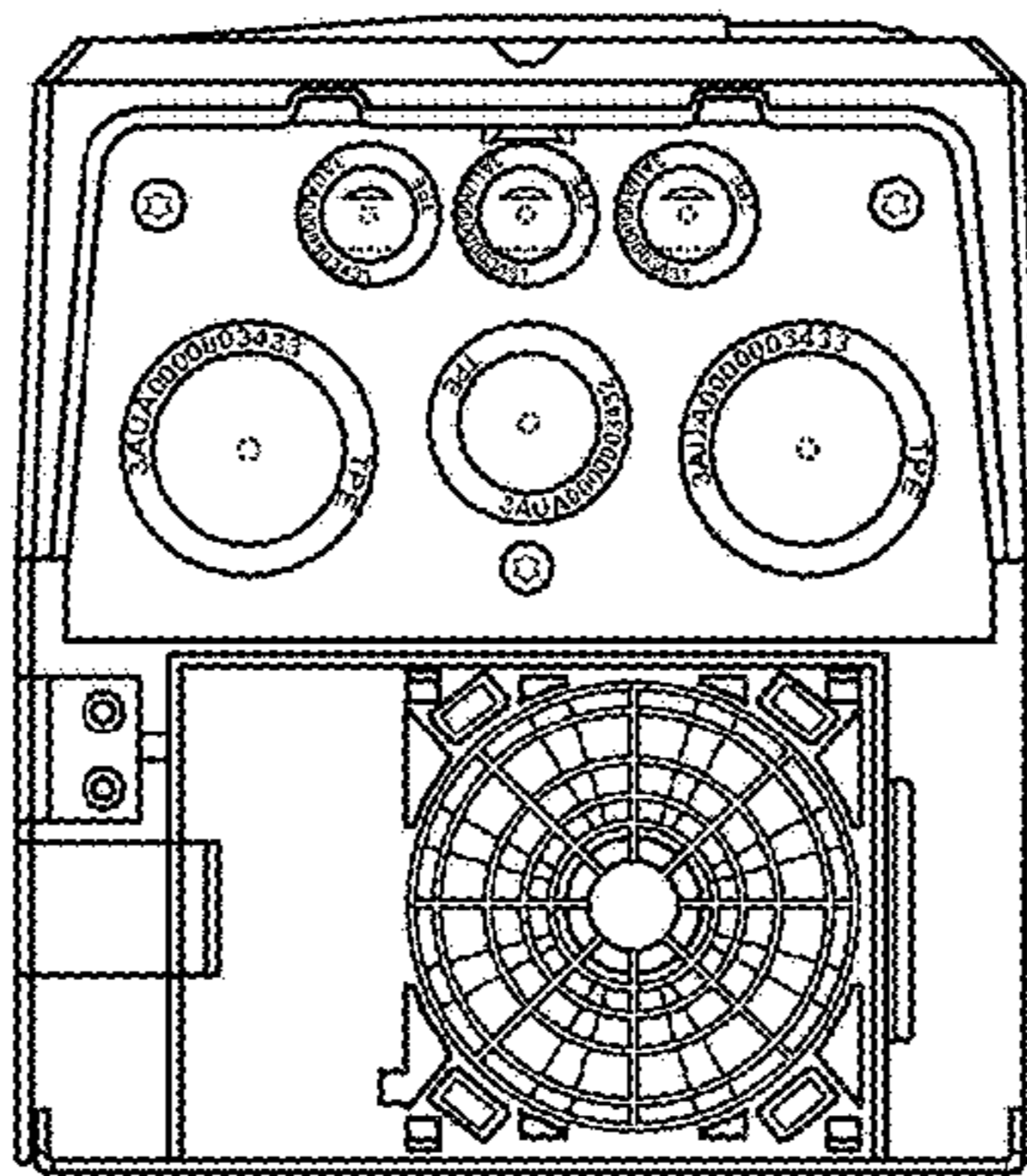


FIG. 6



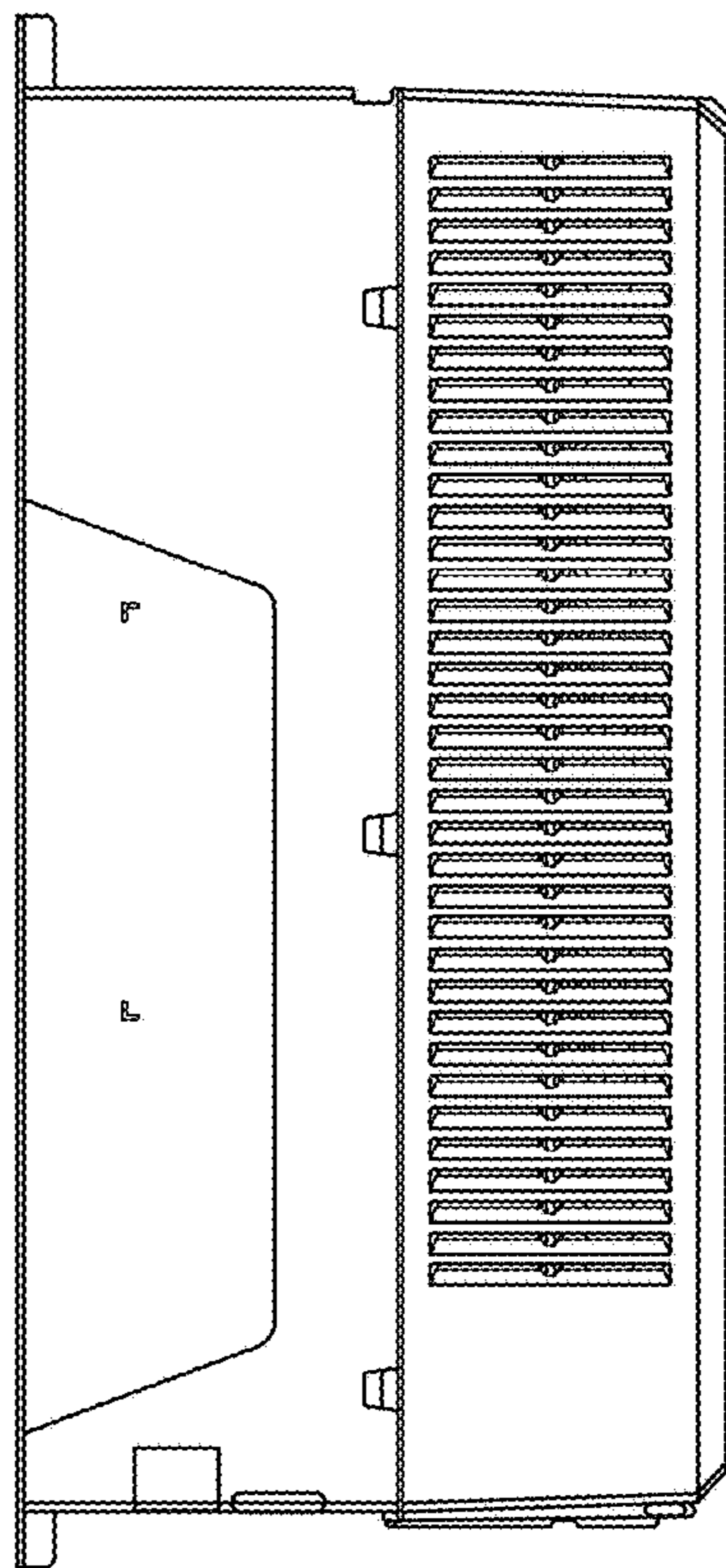


FIG. 7

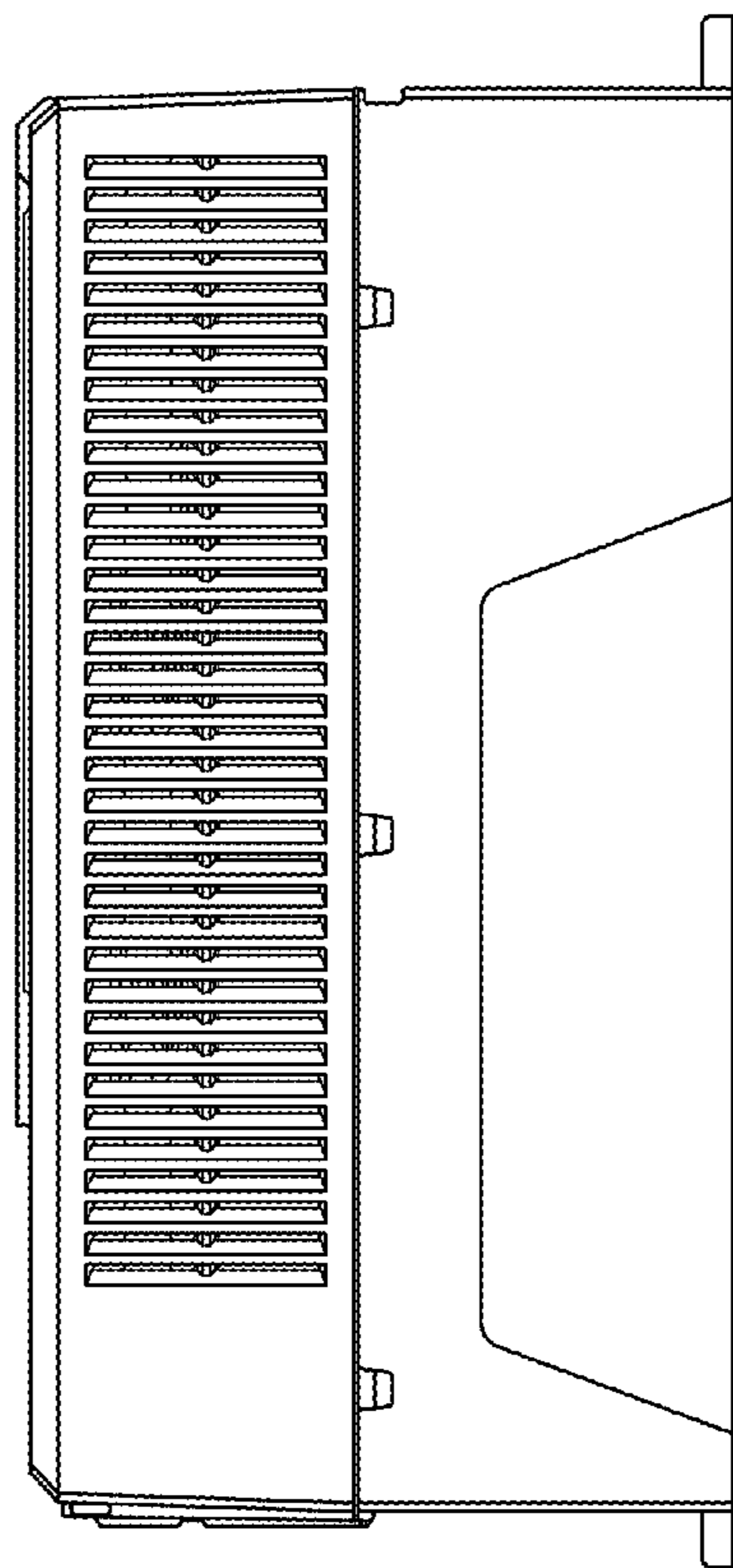


FIG. 8