



US00D851590S

(12) **United States Design Patent**  
**Martinez**

(10) **Patent No.:** **US D851,590 S**

(45) **Date of Patent:** **\*\* Jun. 18, 2019**

(54) **AIR TURBINE STARTER HOUSING**

(71) Applicant: **Unison Industries, LLC**, Jacksonville, FL (US)

(72) Inventor: **Luis Angel Martinez**, Querétaro (MX)

(73) Assignee: **Unison Industries, LLC**, Jacksonville, FL (US)

(\*\*) Term: **15 Years**

(21) Appl. No.: **29/611,814**

(22) Filed: **Jul. 26, 2017**

(51) **LOC (11) Cl.** ..... **13-01**

(52) **U.S. Cl.**  
USPC ..... **D13/113**

(58) **Field of Classification Search**  
USPC ..... D13/110, 112, 113, 114, 118, 119, 122, D13/184, 199; D15/1, 5, 199  
CPC .... F02C 7/26; F02C 7/277; F01D 5/06; F01D 9/041; F05D 2220/32; F05D 2240/60; F05D 2260/85; F05D 2260/4031; F02N 7/00; F02N 7/08; H02K 7/1025; H02K 7/20918; H02K 5/06; H02K 5/225  
See application file for complete search history.

(56) **References Cited**

**U.S. PATENT DOCUMENTS**

D137,172 S *	2/1944	Bluemink	.....	D13/112
4,509,896 A	4/1985	Linsker		
4,518,310 A	5/1985	Coons		
D297,426 S *	8/1988	Mabuchi	.....	D13/112
4,960,085 A	10/1990	Coons		
5,267,539 A *	12/1993	Becker	.....	F02N 7/08 123/179.31
D347,619 S *	6/1994	VanHorn	.....	D13/113
6,681,579 B2 *	1/2004	Lane	.....	F01D 25/18 60/39.091
D619,534 S *	7/2010	Umehara	.....	D13/112

D650,332 S *	12/2011	Pourkermani	.....	D13/114
D705,816 S *	5/2014	Katada	.....	D13/112
D729,732 S *	5/2015	Kasaba	.....	D13/112
D753,590 S *	4/2016	Yamada	.....	D13/112

(Continued)

*Primary Examiner* — Derrick E Holland

(74) *Attorney, Agent, or Firm* — McGarry Bair PC

(57) **CLAIM**

The ornamental design for an air turbine starter housing, as shown and described.

**DESCRIPTION**

FIG. 1 is a front perspective view of a first embodiment of an air turbine starter housing;

FIG. 2 is a back perspective view of the air turbine starter housing of FIG. 1;

FIG. 3 is a top view of the air turbine starter housing of FIG. 1;

FIG. 4 is a bottom view of the air turbine starter housing of FIG. 1;

FIG. 5 is a right side view of the air turbine starter housing of FIG. 1;

FIG. 6 is a left side view of the air turbine starter housing of FIG. 1;

FIG. 7 is a front perspective view of a second embodiment of an air turbine starter housing;

FIG. 8 is a back perspective view of the air turbine starter housing of FIG. 7;

FIG. 9 is a top view of the air turbine starter housing of FIG. 7;

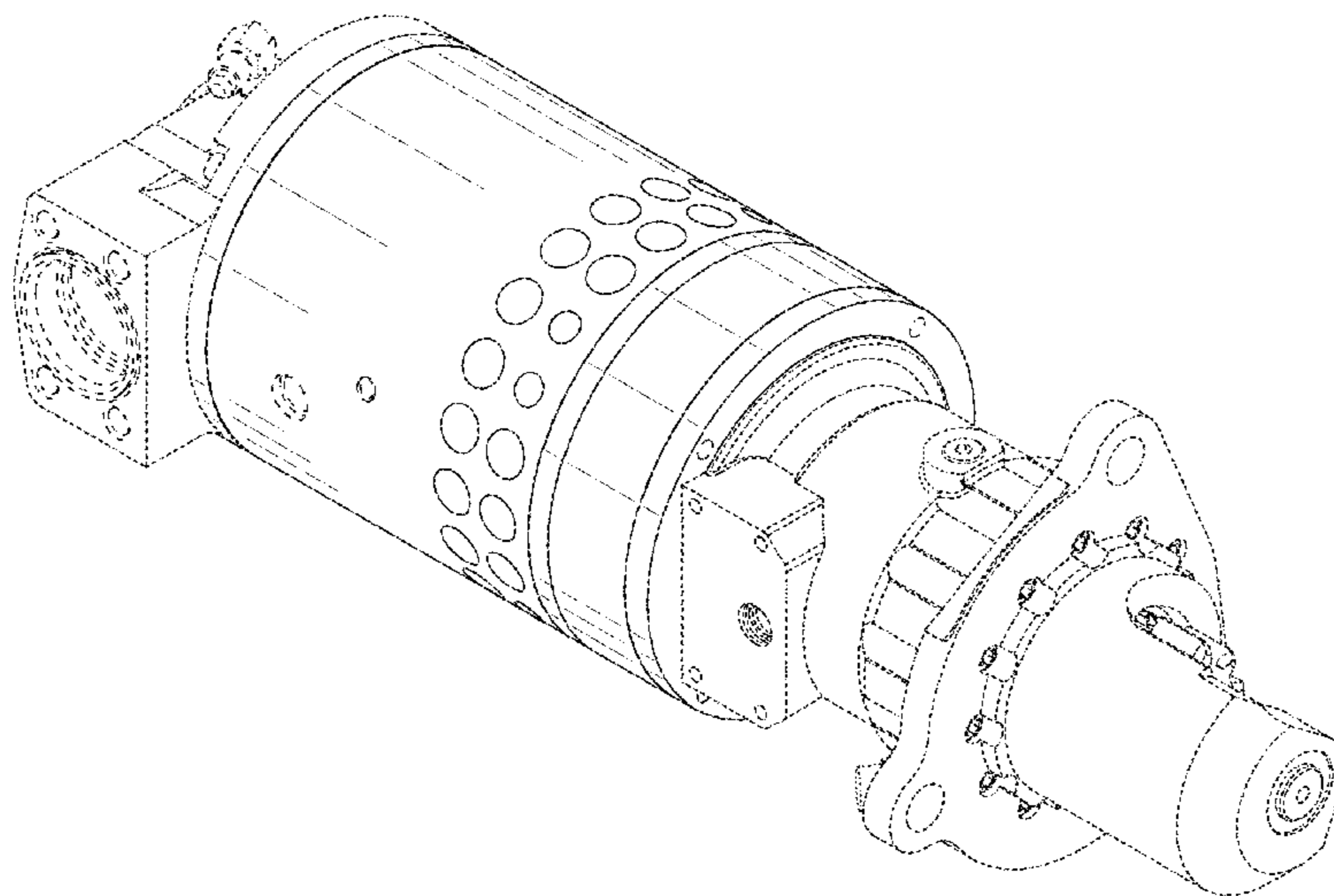
FIG. 10 is a bottom view of the air turbine starter housing of FIG. 7;

FIG. 11 is a right side view of the air turbine starter housing of FIG. 7; and,

FIG. 12 is a left side view of the air turbine starter housing of FIG. 7.

Portions of the air turbine starter housing shown in broken lines form no part of the claimed design.

**1 Claim, 12 Drawing Sheets**



(56)

**References Cited**

U.S. PATENT DOCUMENTS

9,394,831 B2 \* 7/2016 Brust ..... F02C 7/268  
2007/0210671 A1 \* 9/2007 McMillan ..... H01R 39/381  
310/239

\* cited by examiner

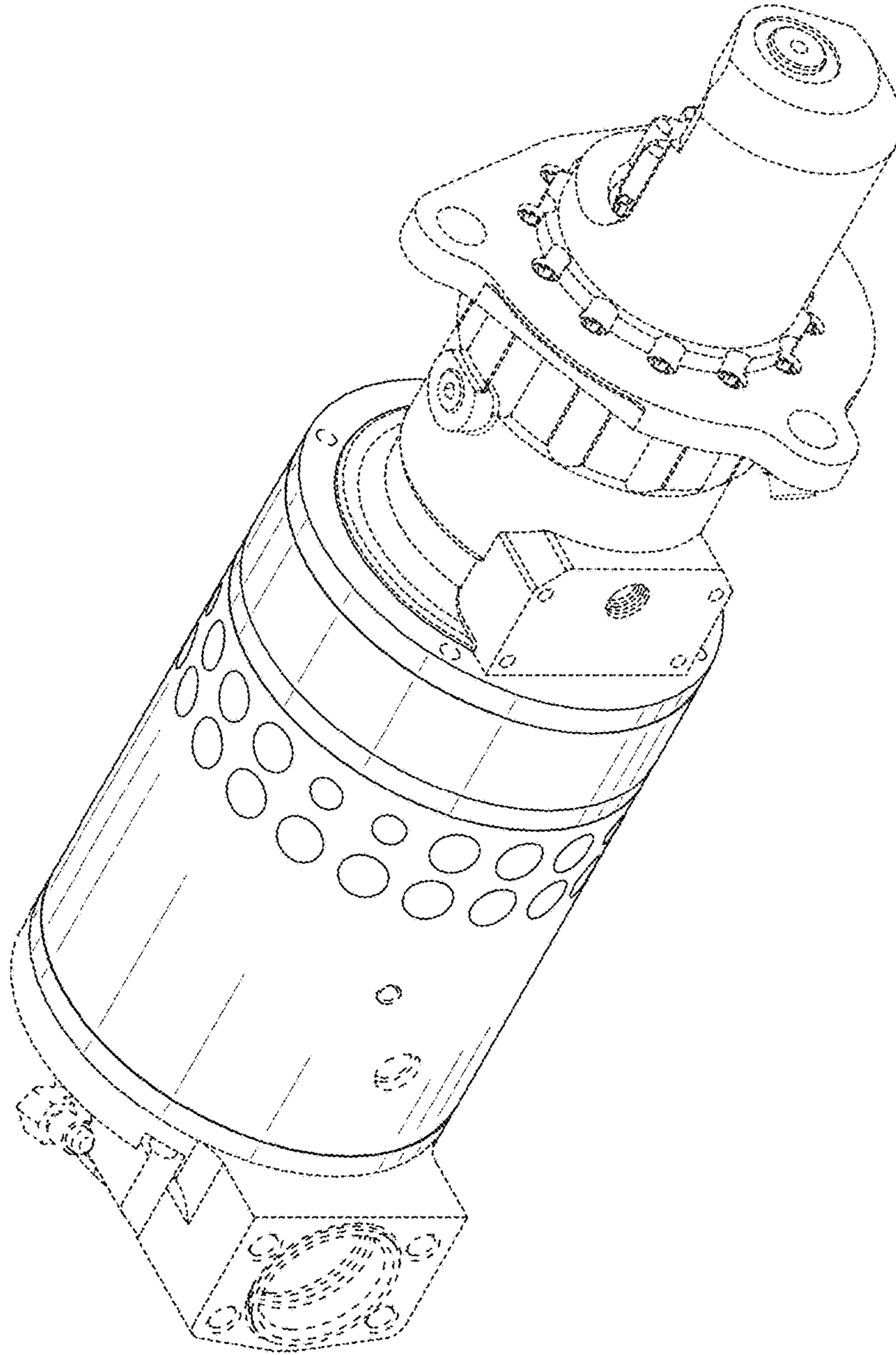


FIG. 1

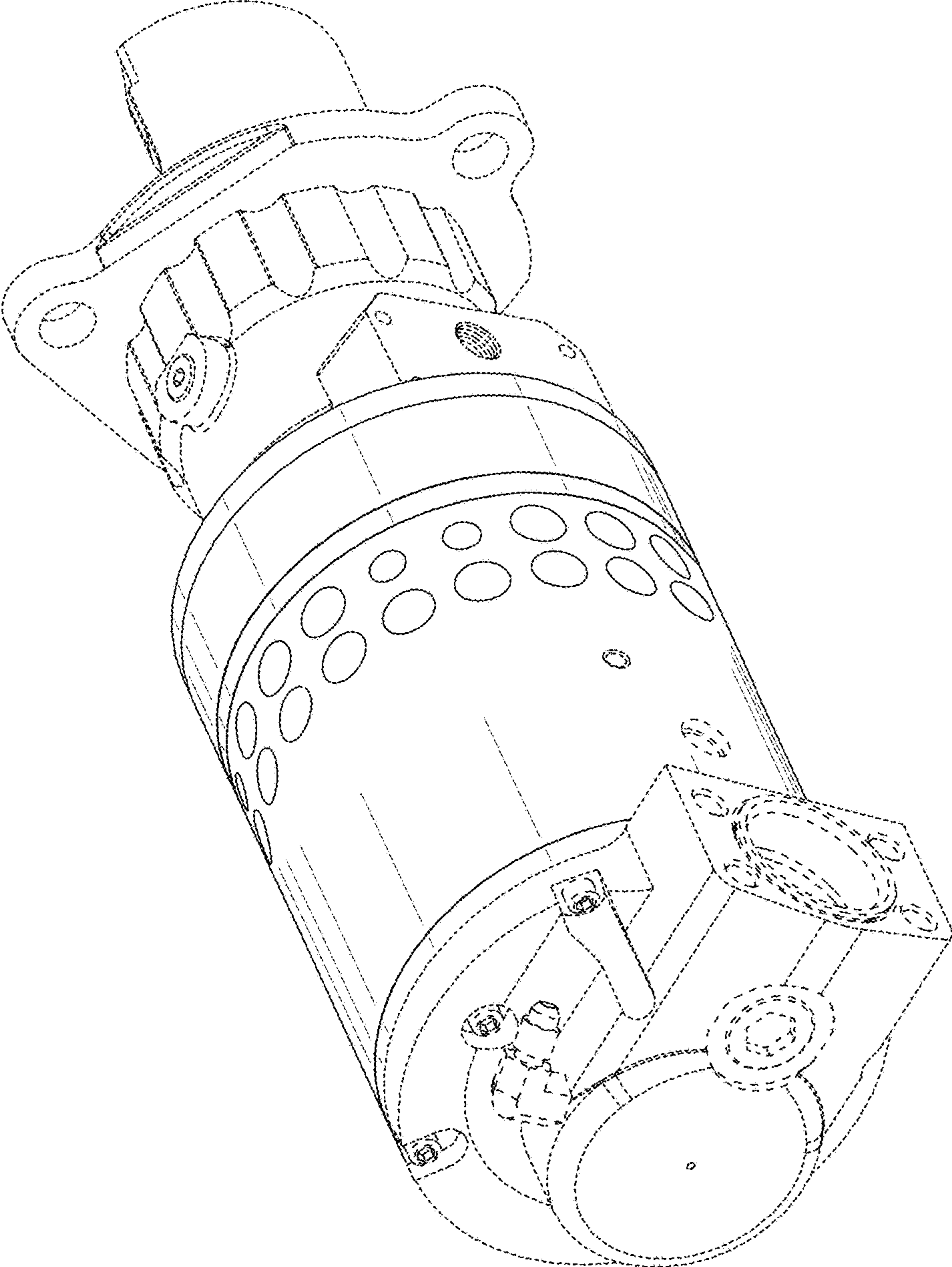


FIG. 2



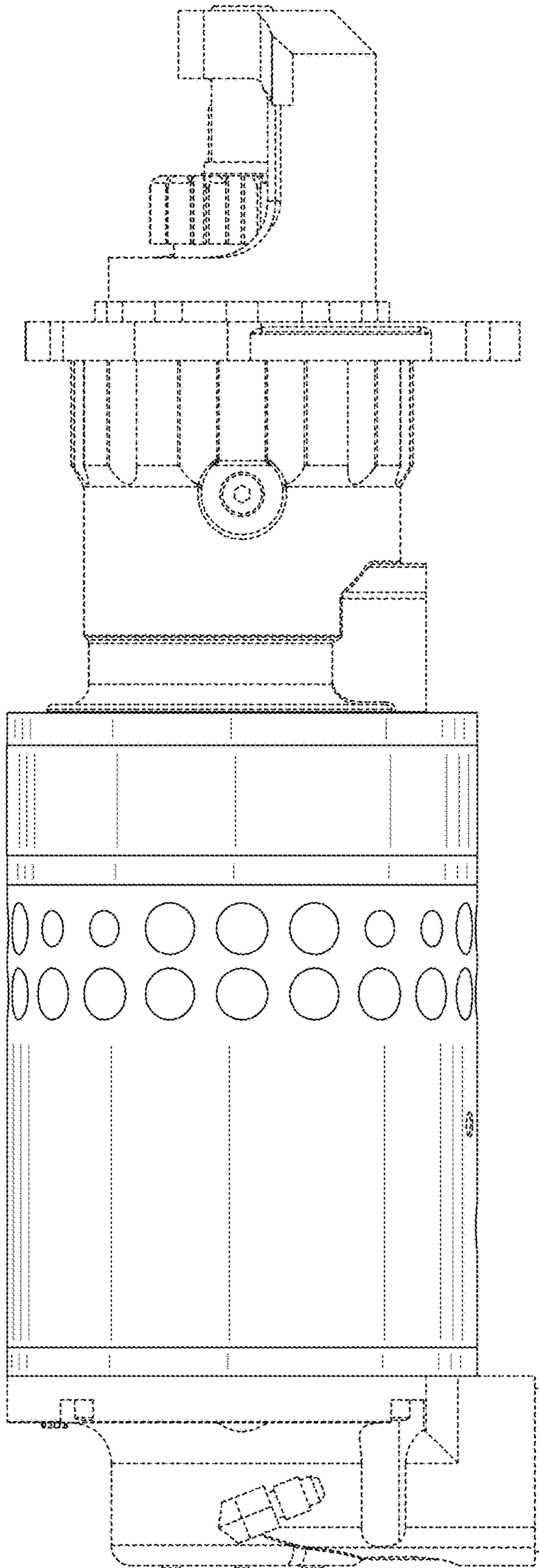


FIG. 3

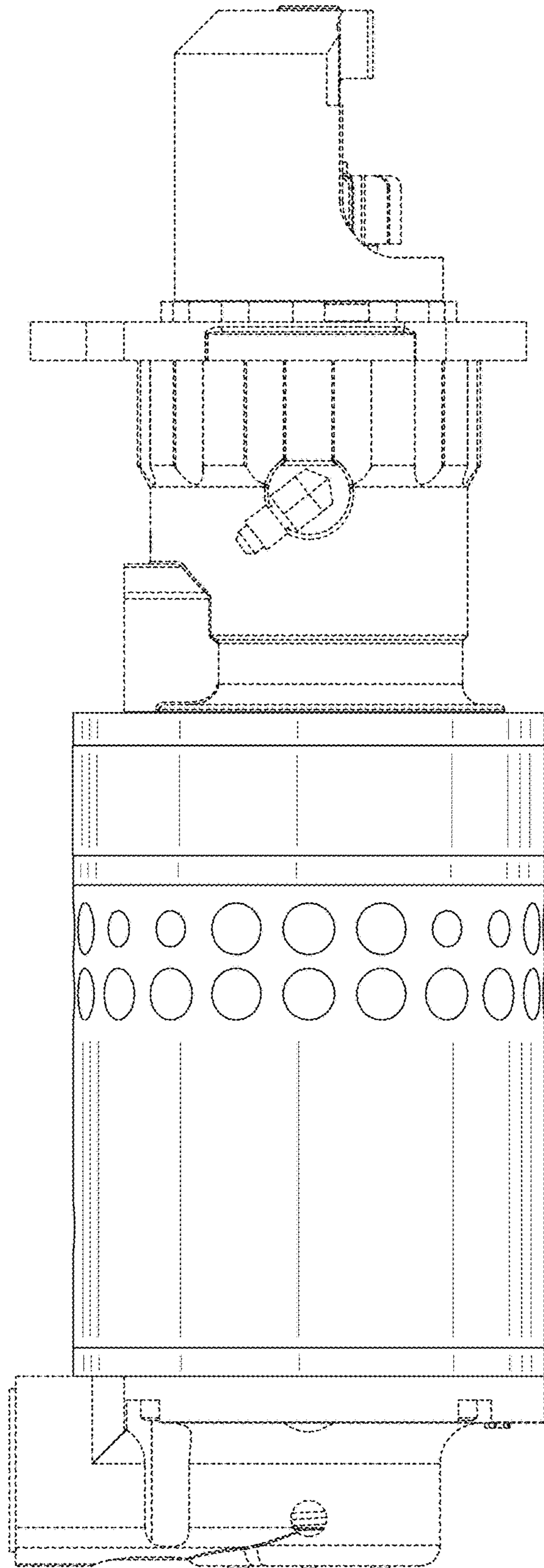


FIG. 4

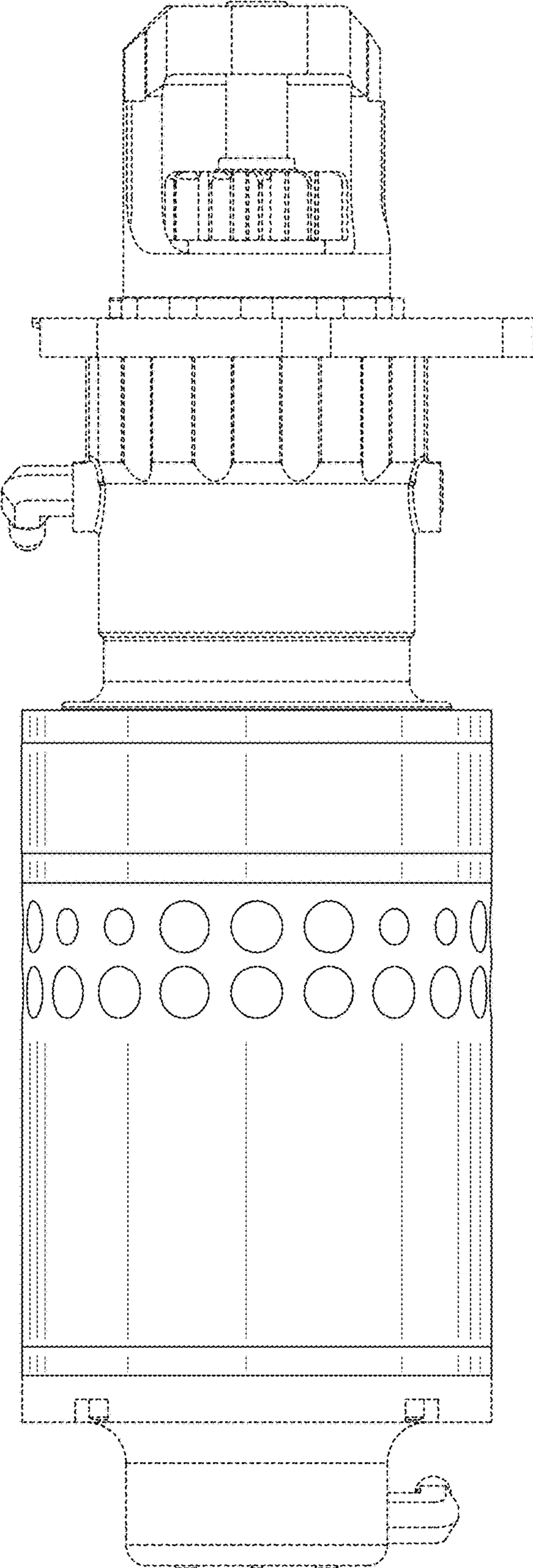


FIG. 5

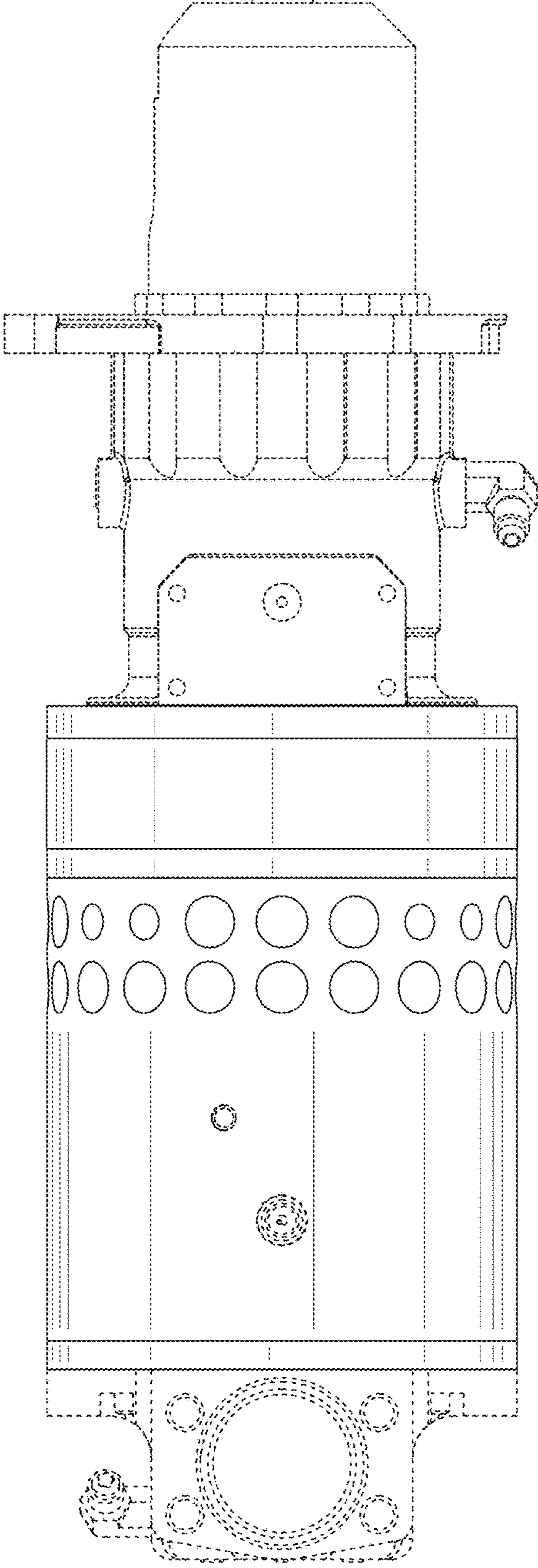


FIG. 6



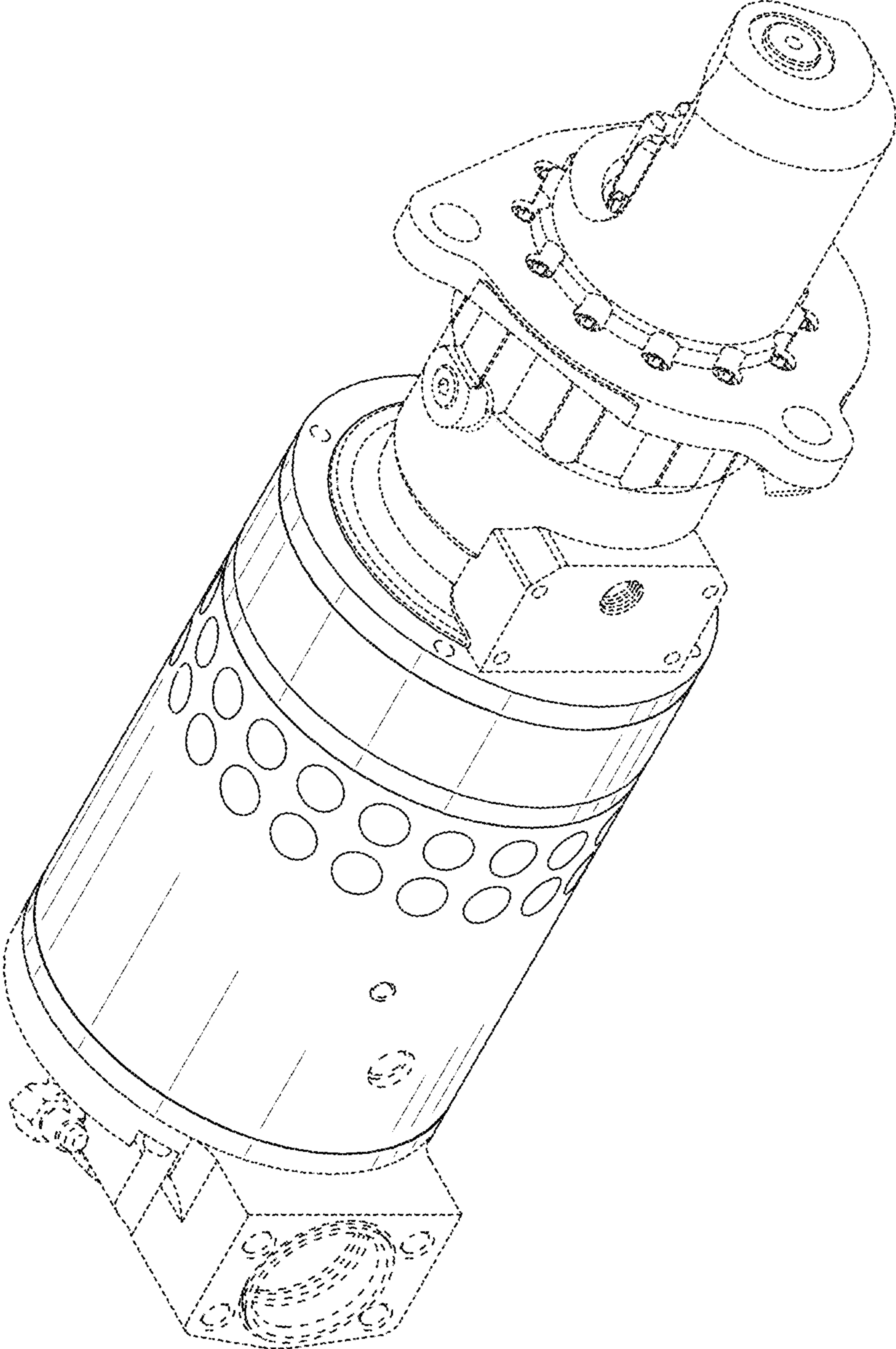


FIG. 7

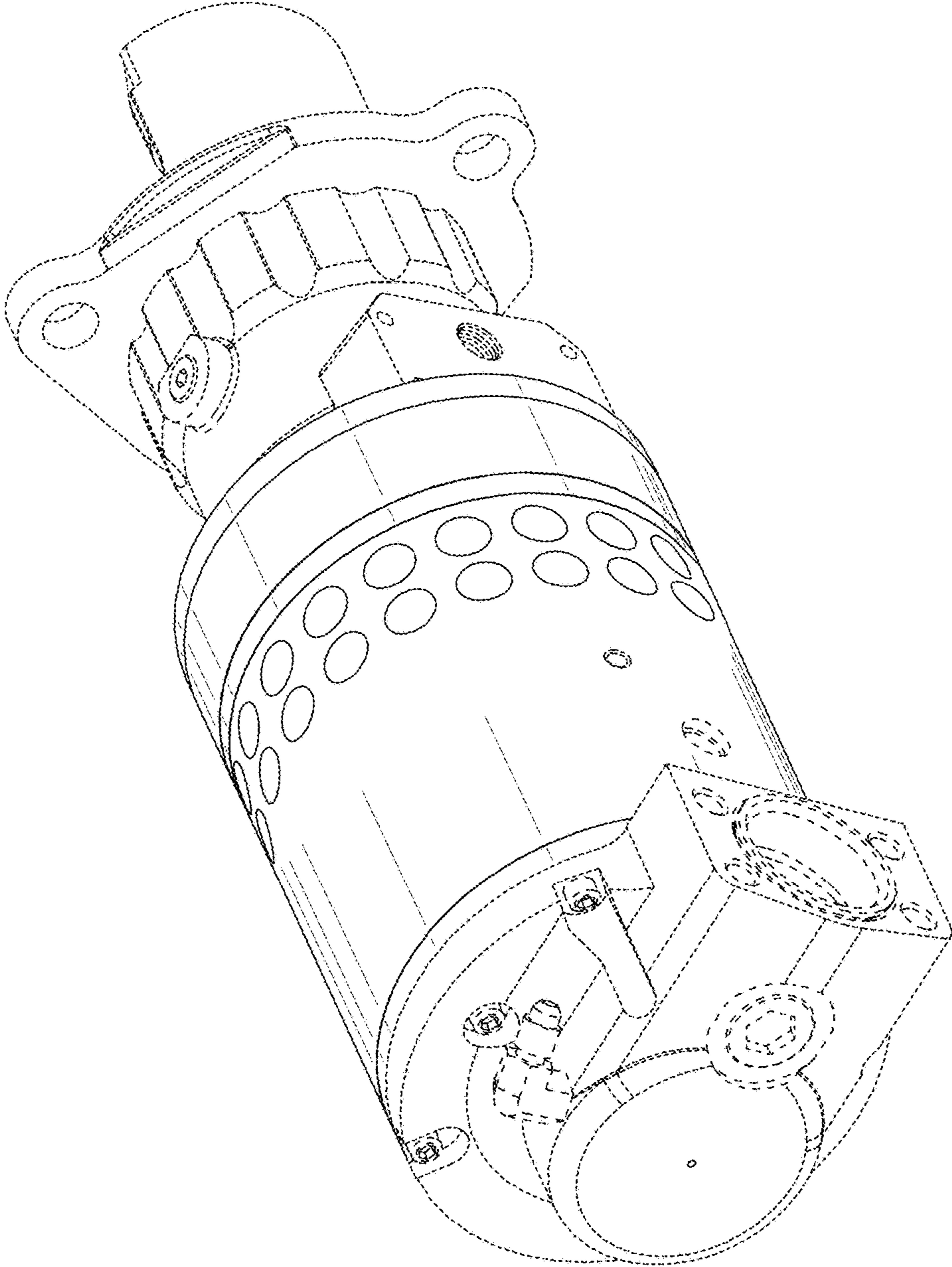


FIG. 8

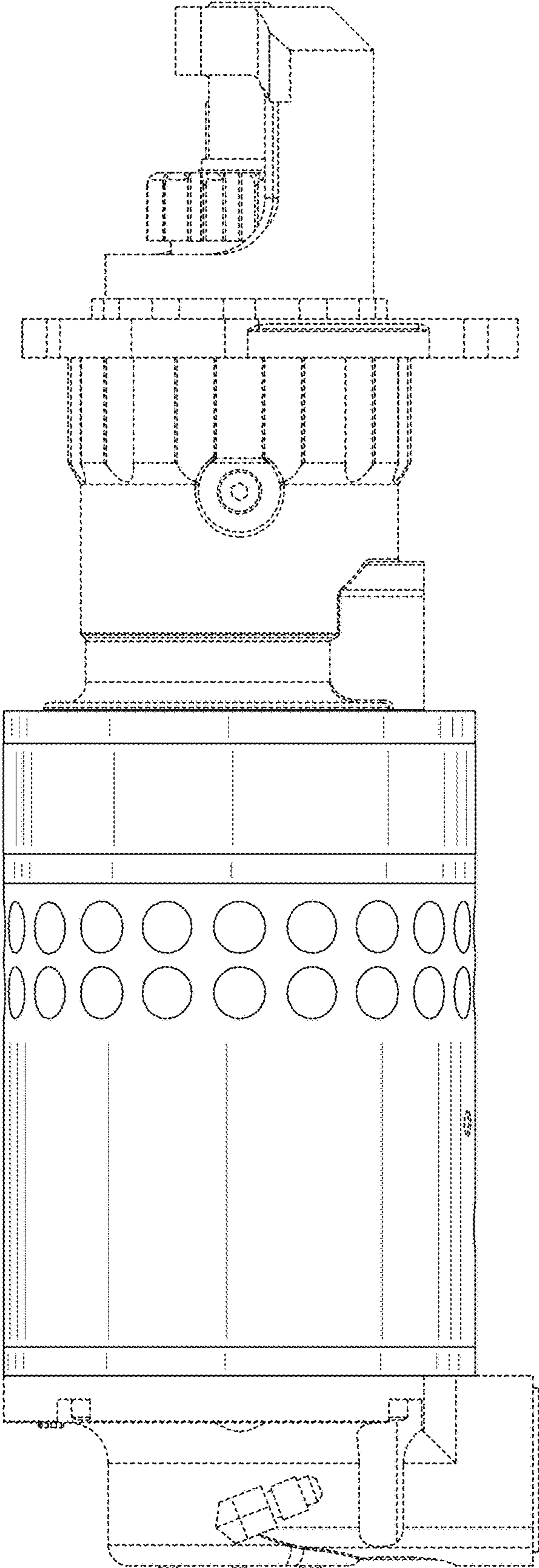


FIG. 9

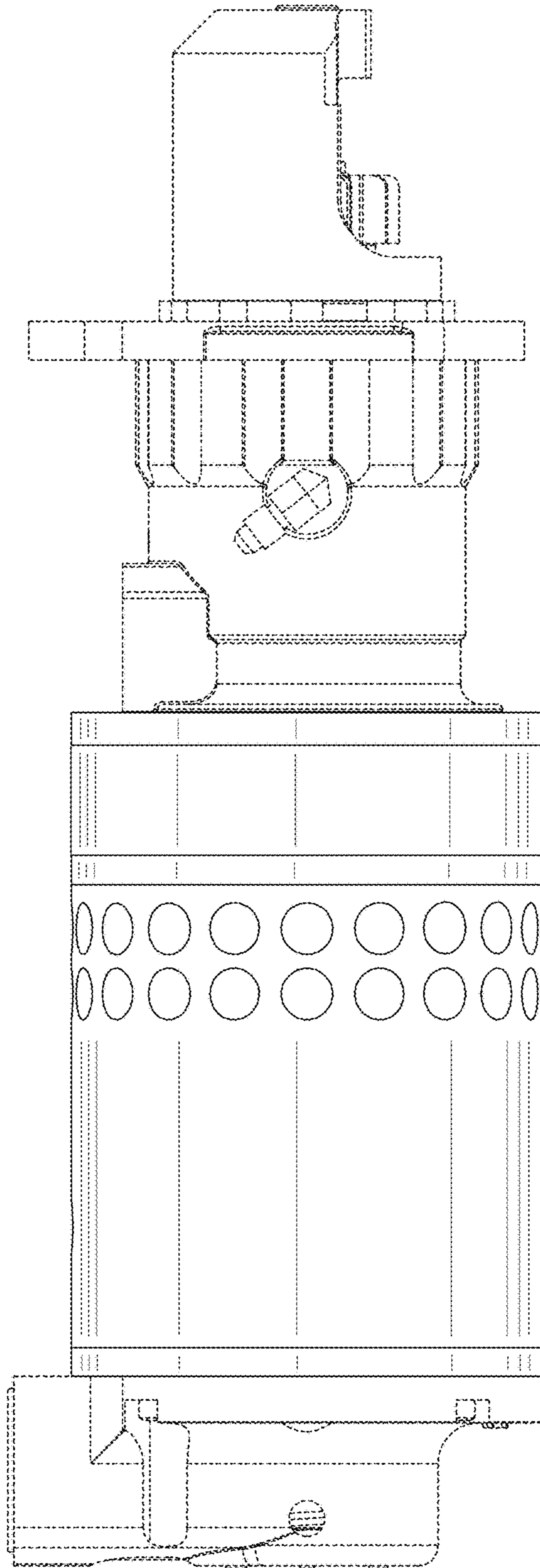


FIG. 10



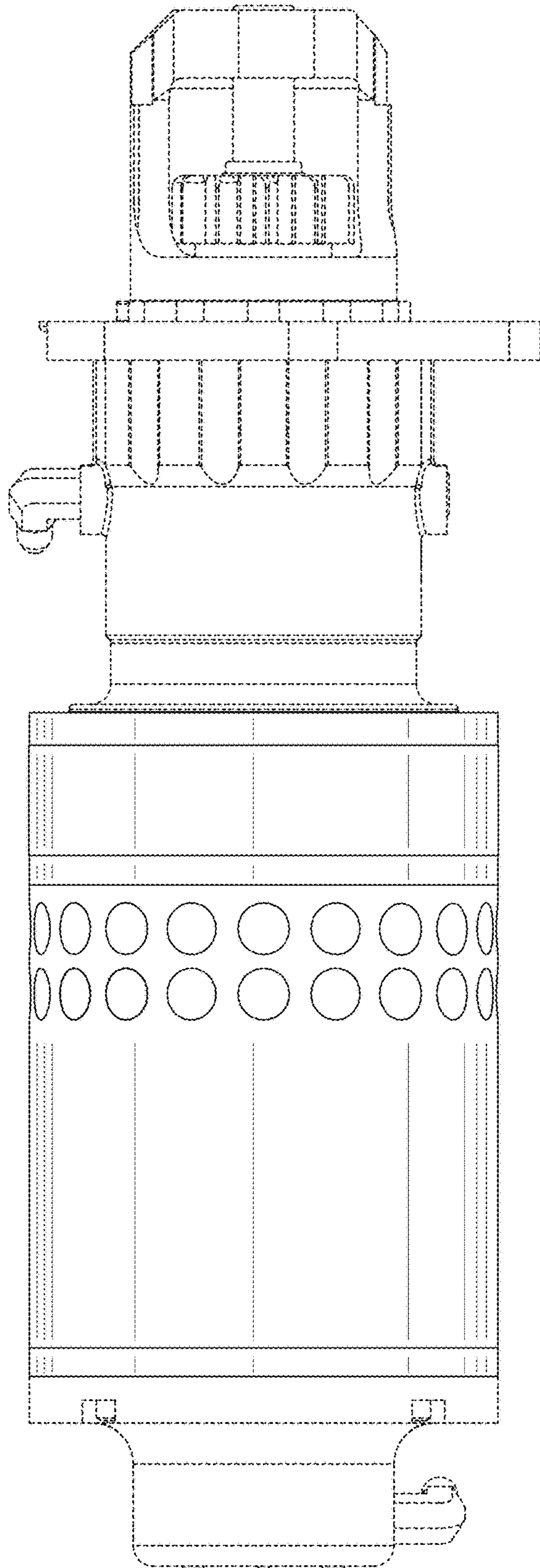


FIG. 11

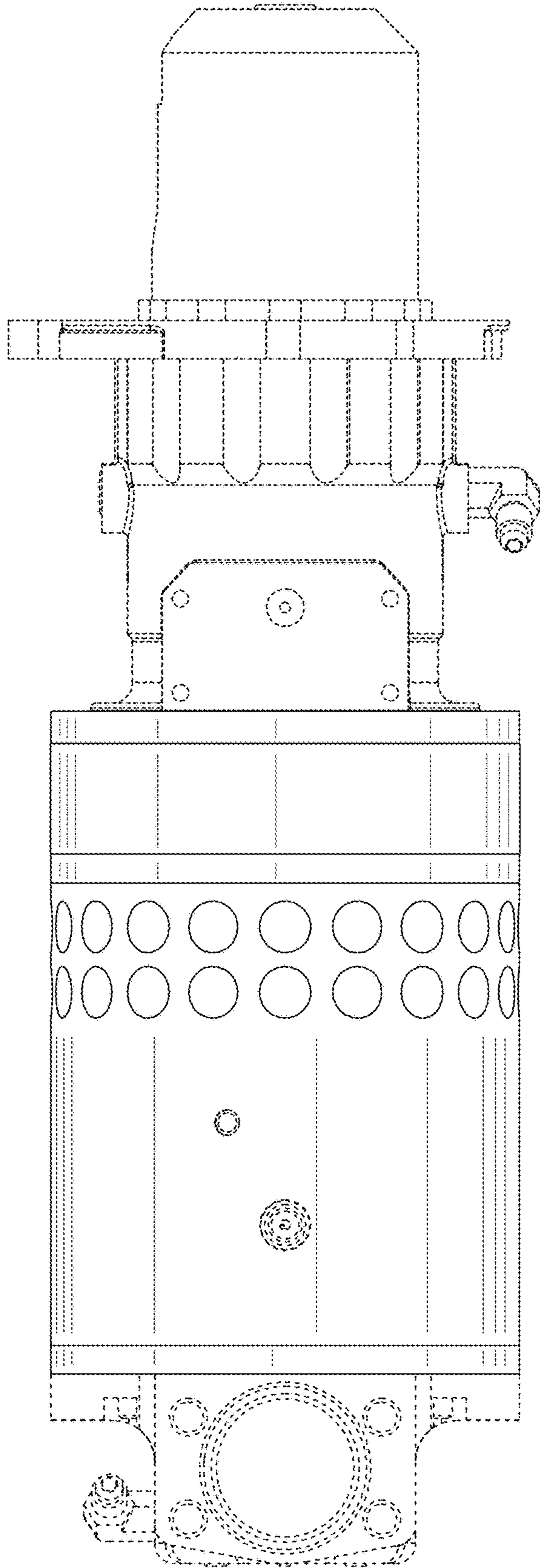


FIG. 12