



US00D851588S

(12) **United States Design Patent**
Ma et al.

(10) **Patent No.:** **US D851,588 S**
(45) **Date of Patent:** **** Jun. 18, 2019**

(54) **WIRELESS CAR CHARGER**

(71) Applicant: **Shenzhen Huahao Electronic Communications Co., Ltd.**, Shenzhen (CN)

(72) Inventors: **Wei Ma**, Bozhou (CN); **Jinlong Yang**, Longnan (CN)

(73) Assignee: **Shenzhen Huahao Electronic Communications Co., Ltd.**, Shenzhen (CN)

(**) Term: **15 Years**

(21) Appl. No.: **29/676,023**

(22) Filed: **Jan. 8, 2019**

(51) **LOC (11) Cl.** **13-02**

(52) **U.S. Cl.**
USPC **D13/108**

(58) **Field of Classification Search**
USPC D13/107–110, 118–119, 184, 199;
D14/251, 253, 432, 434
CPC Y02E 60/12; Y02T 90/14; Y02T 90/122;
Y02T 90/128; Y02T 90/163; Y02T
10/7005; Y02T 10/7088; H02J 7/025;
H02J 7/0042; H02J 7/0044; H02J 7/0045;
H02J 7/0003; H01F 38/14; H01R
13/6675; H01M 2/1022; H01M 2/1055;
H01M 10/44; H01M 10/46; H01M
10/425; B60L 11/182

See application file for complete search history.

(56) **References Cited**

U.S. PATENT DOCUMENTS

D391,928 S * 3/1998 Kondo D14/434
D391,931 S * 3/1998 Iino D14/434

D450,707 S * 11/2001 Francavilla D14/434
D484,095 S * 12/2003 Stacey D13/102
D512,066 S * 11/2005 Solomon D14/434
D516,562 S * 3/2006 Solomon D14/434
D578,961 S * 10/2008 Fisher D13/108
D611,898 S * 3/2010 Yang D13/108
D630,163 S * 1/2011 Yeh D13/108
D688,201 S * 8/2013 Mecca D13/108
D688,202 S * 8/2013 Mecca D13/108
D690,647 S * 10/2013 Huang D13/108
8,823,318 B2 * 9/2014 Liu G06Q 30/02
320/108
D761,201 S * 7/2016 Ireland D13/108
D769,186 S * 10/2016 Yang D13/108
10,063,065 B2 * 8/2018 Cho H02J 5/005

* cited by examiner

Primary Examiner — Rosemary K Tarcza

(57) **CLAIM**

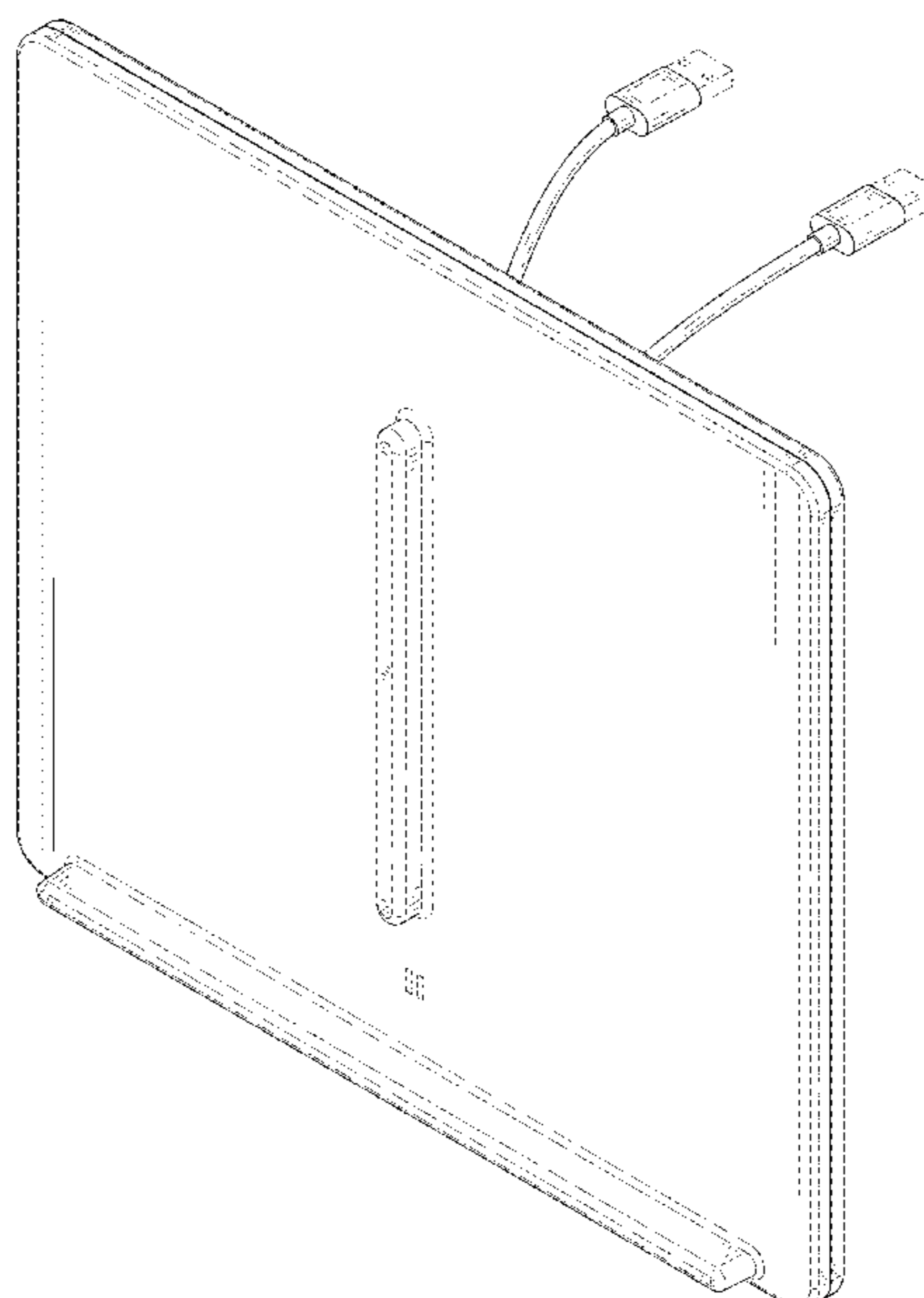
The ornamental design for a wireless car charger, as shown and described.

DESCRIPTION

FIG. 1 is a perspective view of a wireless car charger showing my new design;
FIG. 2 is another perspective view thereof;
FIG. 3 is a front elevational view thereof;
FIG. 4 is a rear elevational view thereof;
FIG. 5 is a left side elevational view thereof;
FIG. 6 is a right side elevational view thereof;
FIG. 7 is a top plan view thereof; and,
FIG. 8 is a bottom plan view thereof.

The broken lines in the drawings illustrate portions of the wireless car charger that form no part of the claimed design.

1 Claim, 8 Drawing Sheets



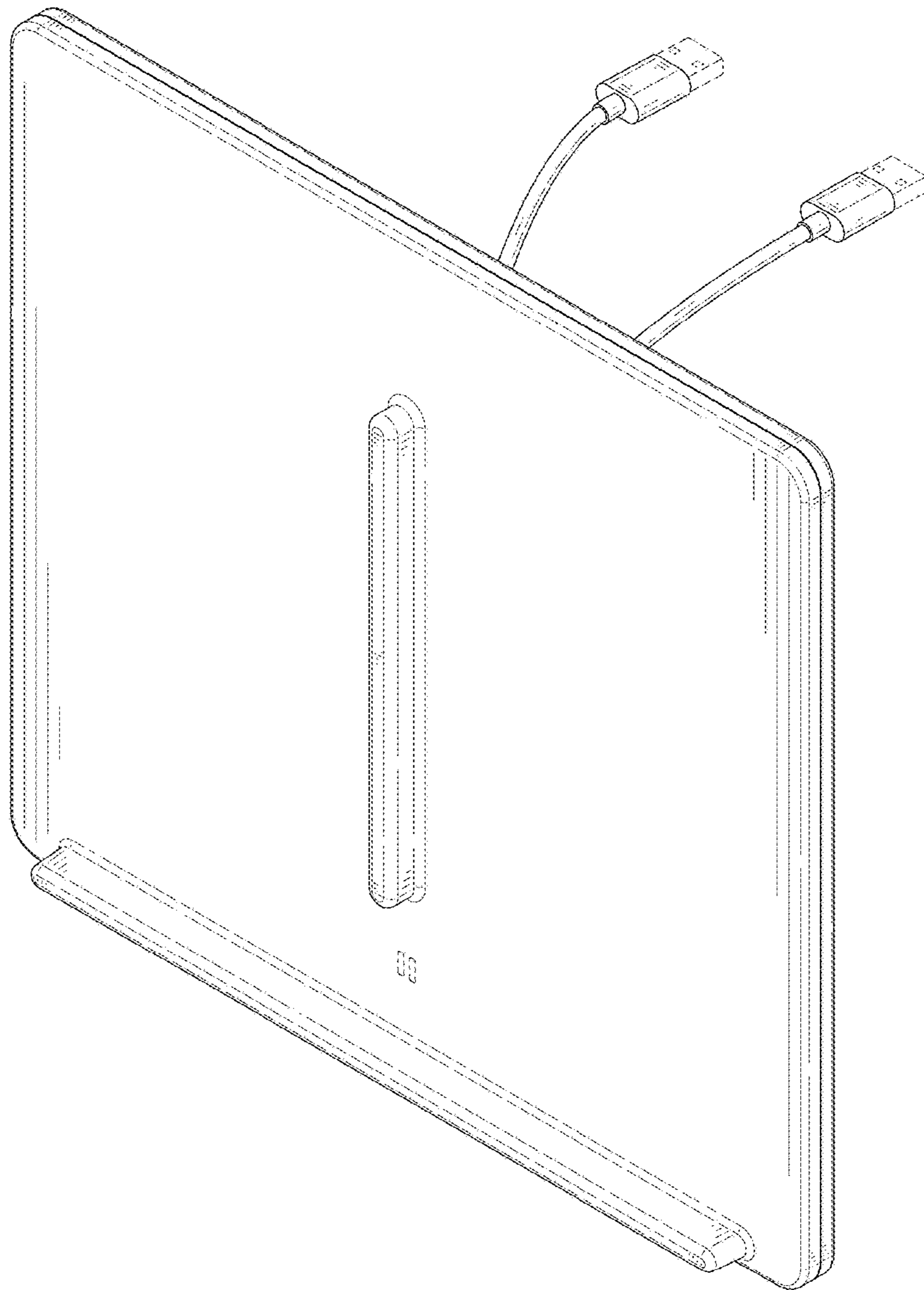


FIG. 1

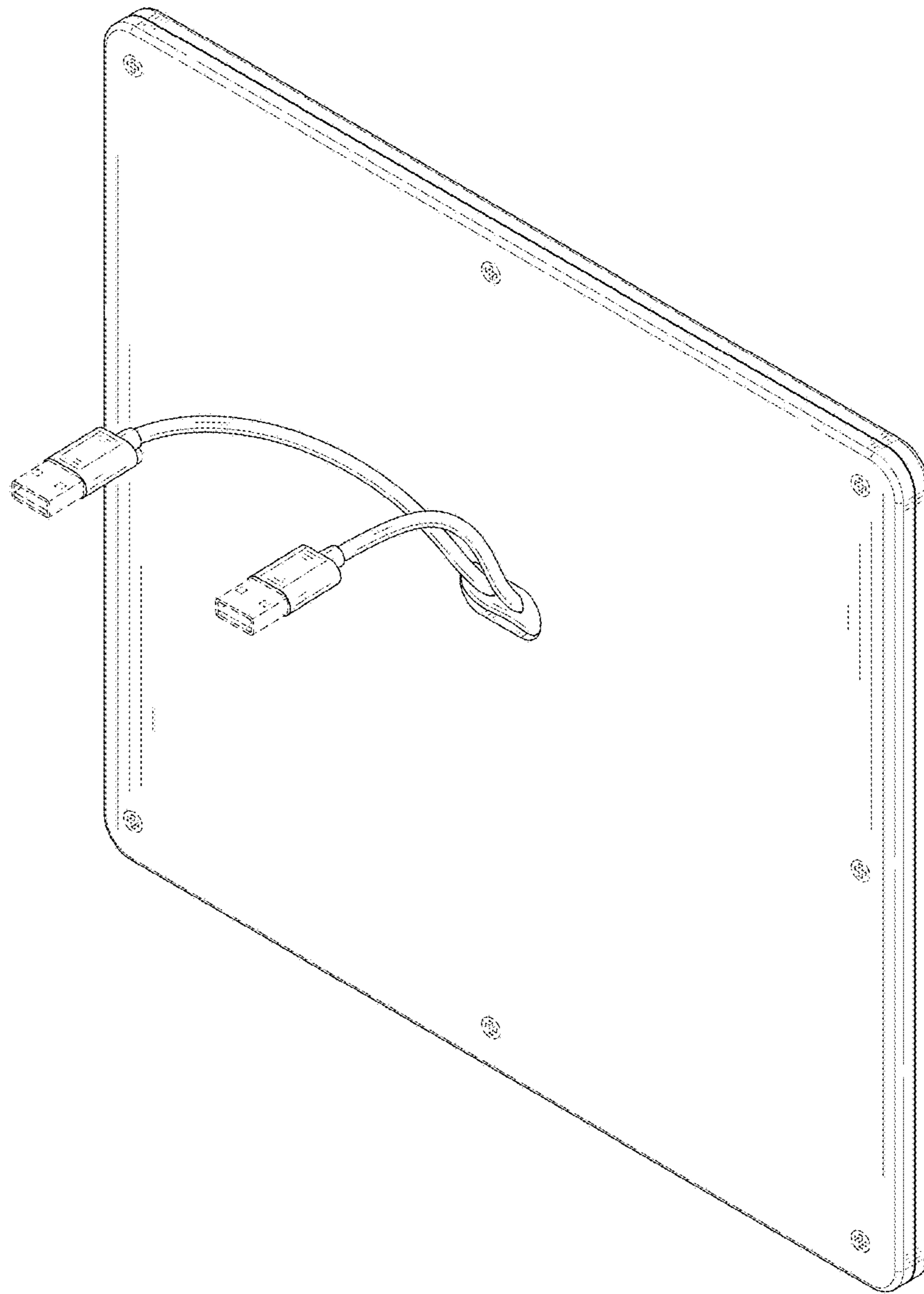


FIG. 2

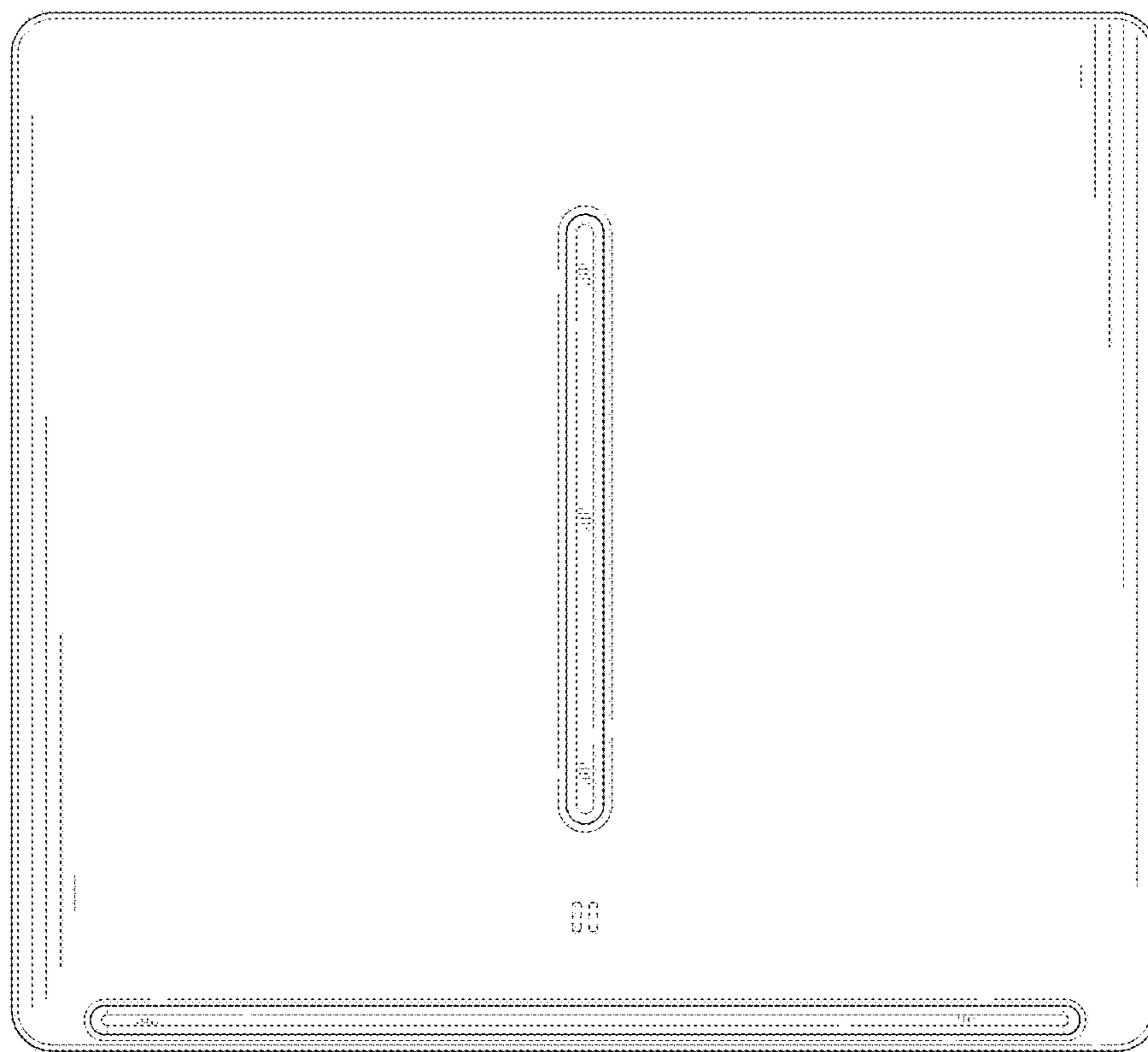


FIG. 3

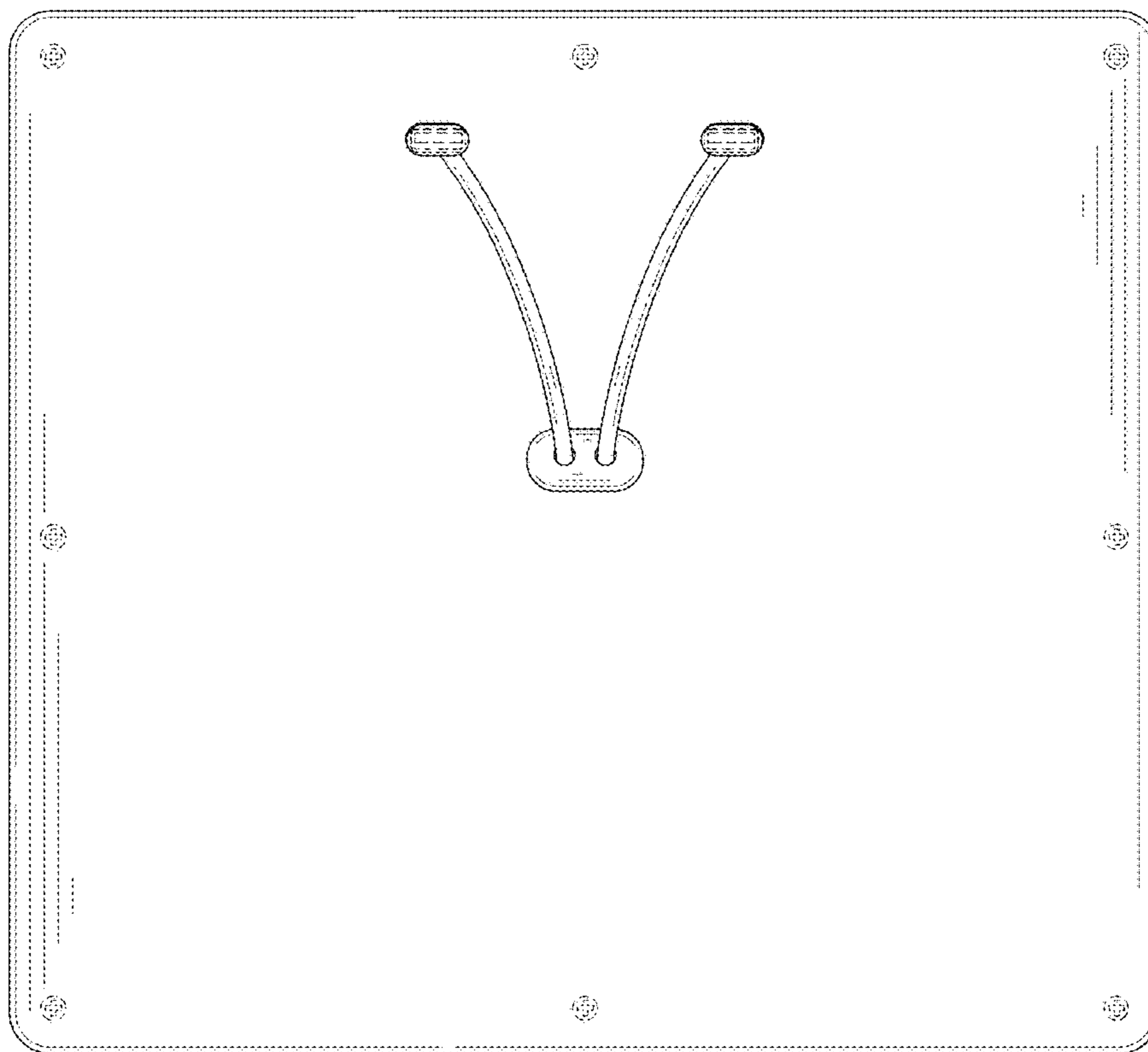


FIG. 4

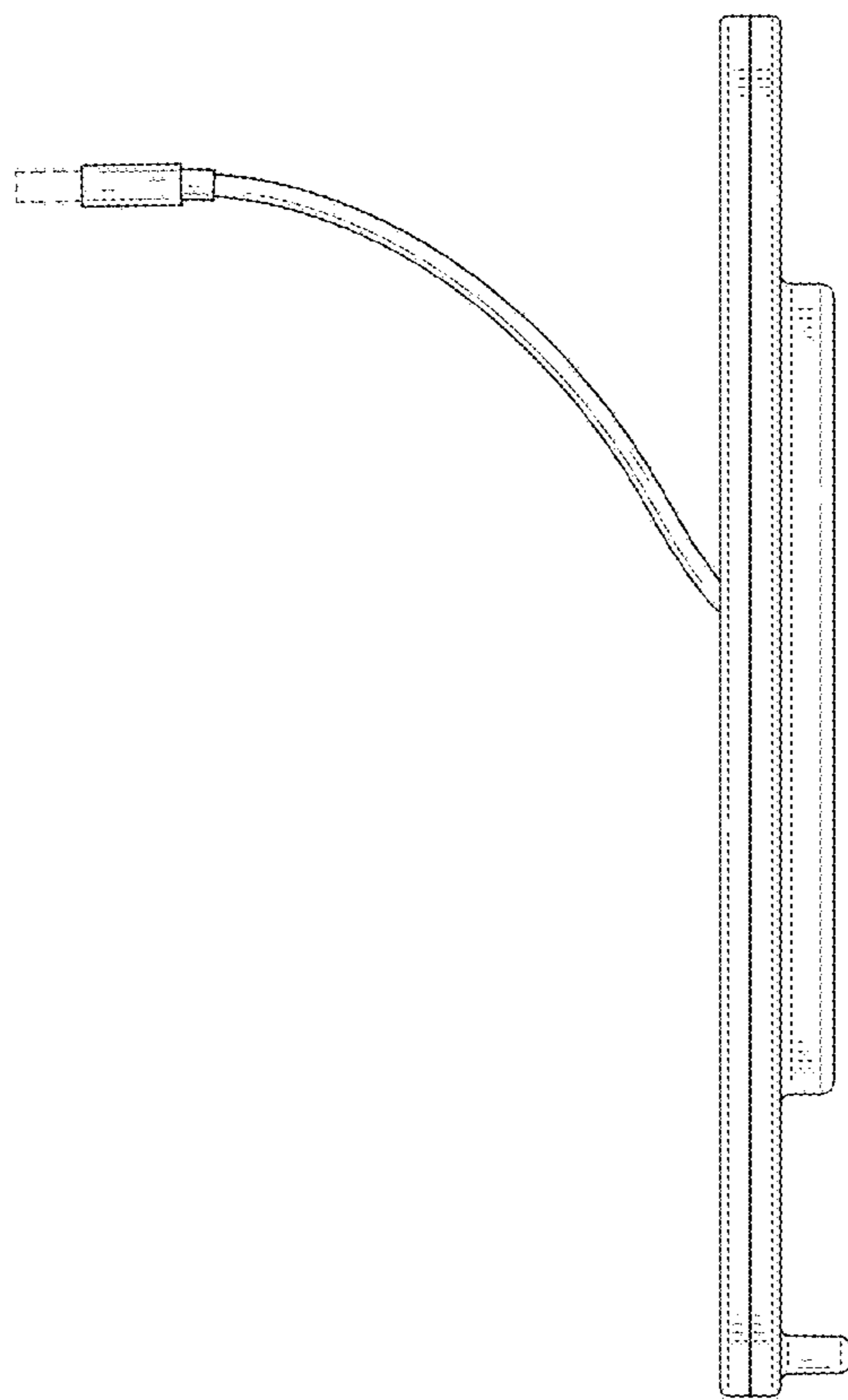


FIG. 5

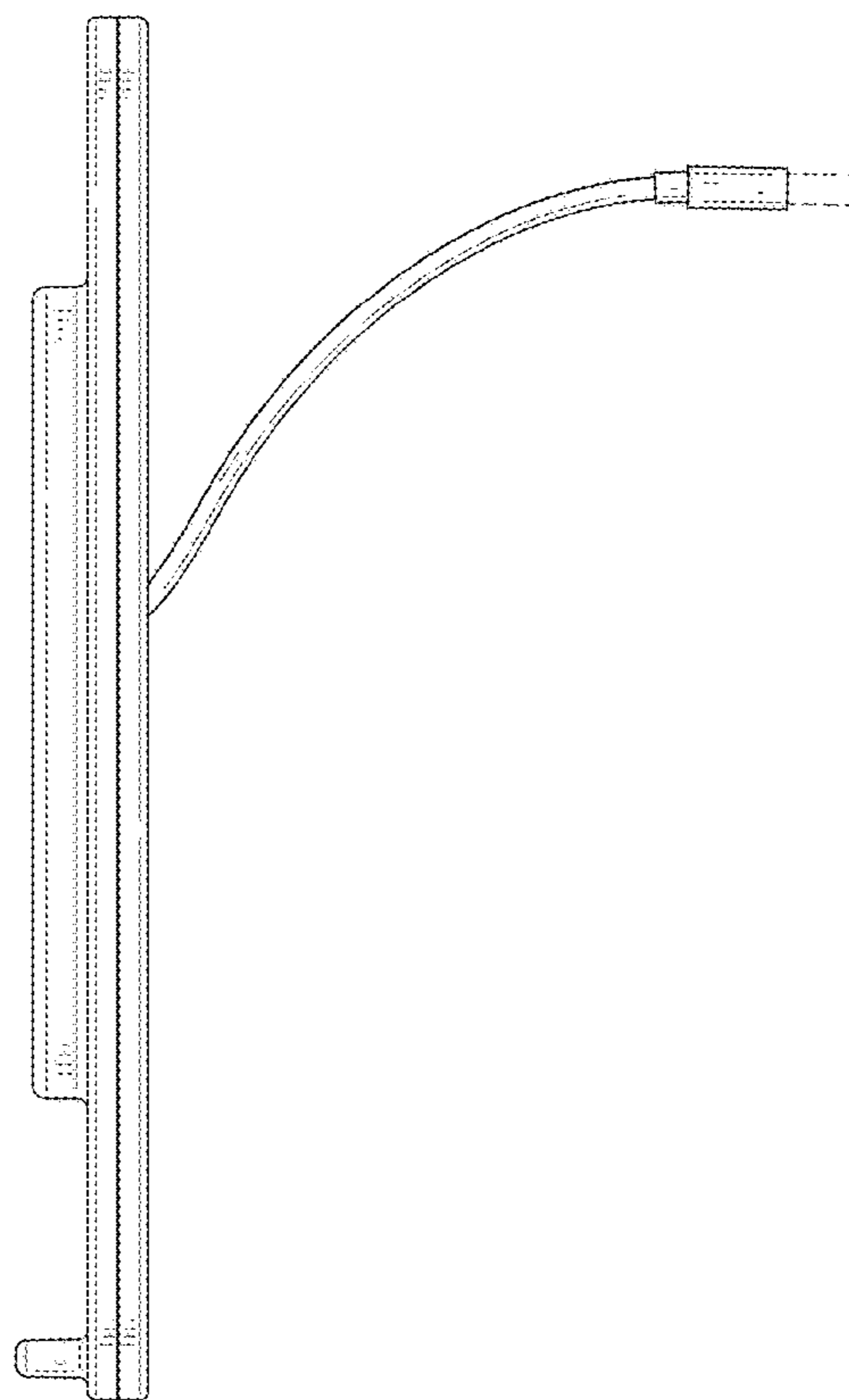


FIG. 6

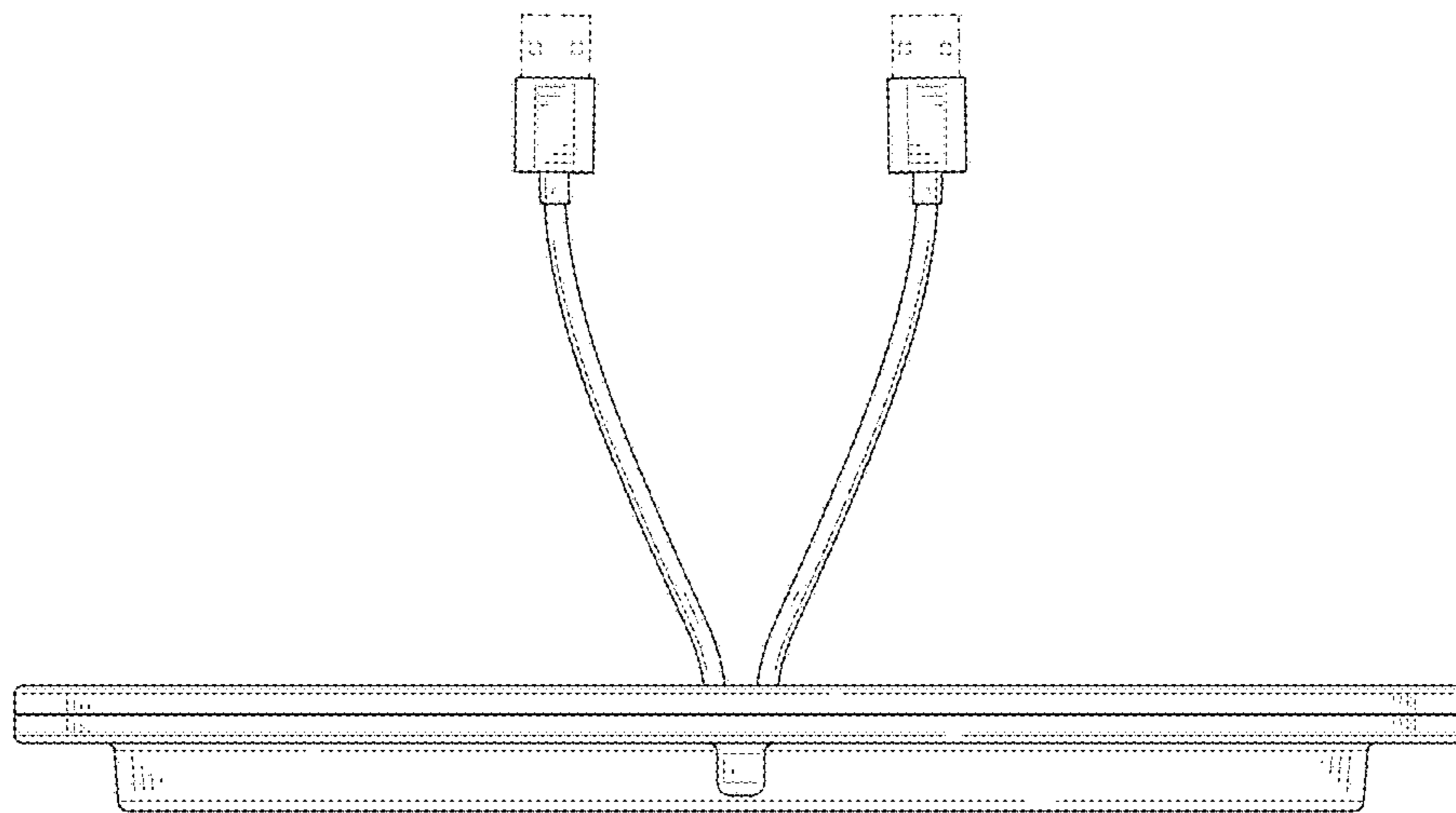


FIG. 7

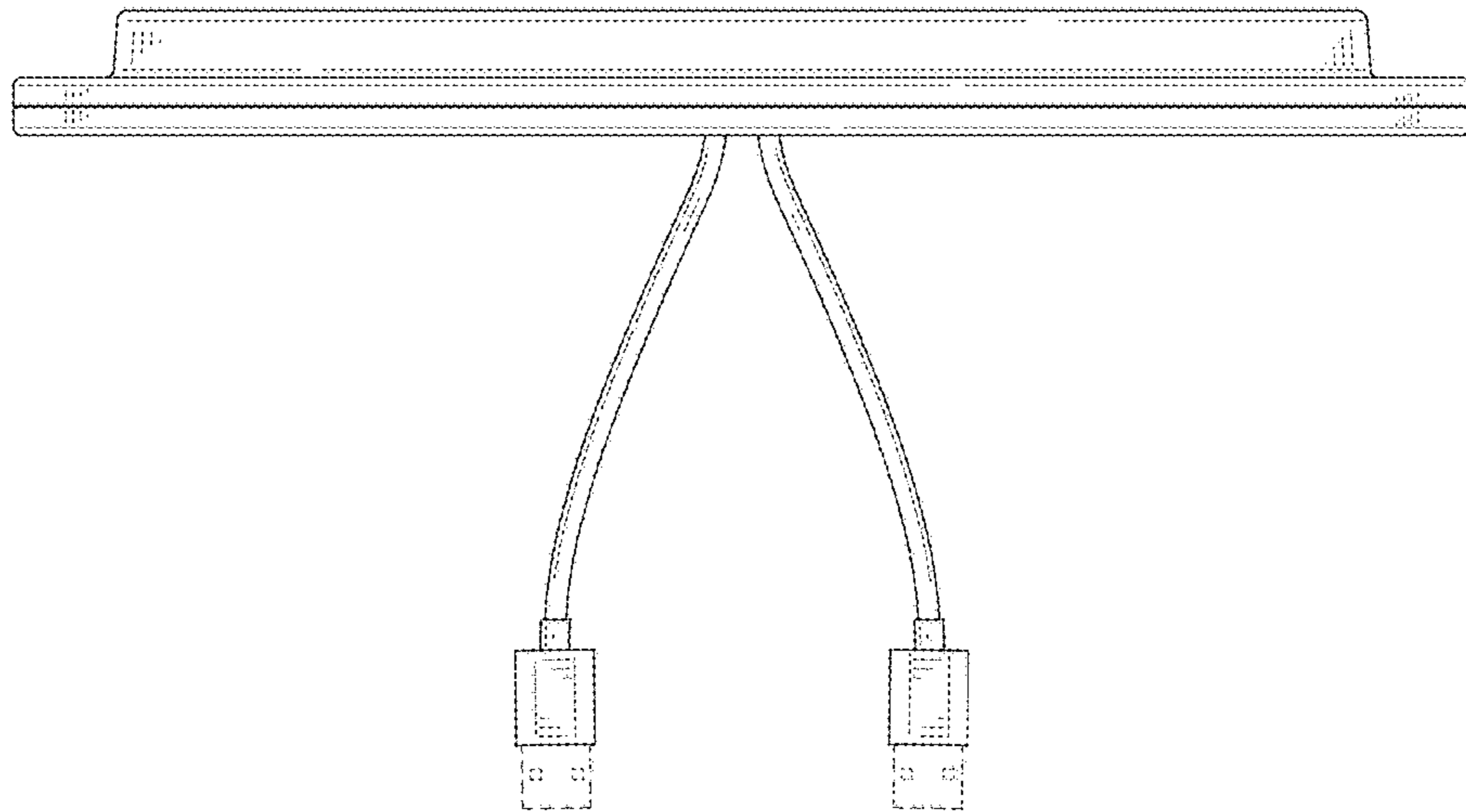


FIG. 8



US00D851588C1

(12) **EX PARTE REEXAMINATION CERTIFICATE** (11827th)
United States Patent
Ma et al.

(10) **Number:** **US D851,588 C1**
(45) **Certificate Issued:** **Apr. 7, 2021**

(54) **WIRELESS CAR CHARGER**

(71) Applicant: **Shenzhen Huahao Electronic Communications Co., Ltd.**, Shenzhen (CN)

(72) Inventors: **Wei Ma**, Bozhou (CN); **Jinlong Yang**, Longnan (CN)

(73) Assignee: **SHENZHEN HUAHAO ELECTRONIC COMMUNICATIONS CO., LTD.**, Shenzhen (CN)

(51) **LOC (13) Cl.** 13-02

(52) **U.S. Cl.**
USPC **D13/108**

(58) **Field of Classification Search**
USPC D13/107–110, 118, 119, 184; D14/251, D14/253, 432, 434
CPC H02J 7/025; H02J 7/0042; H02J 7/0044; H02J 7/0045; H02J 7/0003; H01F 38/14; H01R 13/6675; H01M 2/1055; H01M 10/44; H01M 10/46; H01M 10/425; B60L 11/182

See application file for complete search history.

Reexamination Request:

No. 90/014,478, May 8, 2020

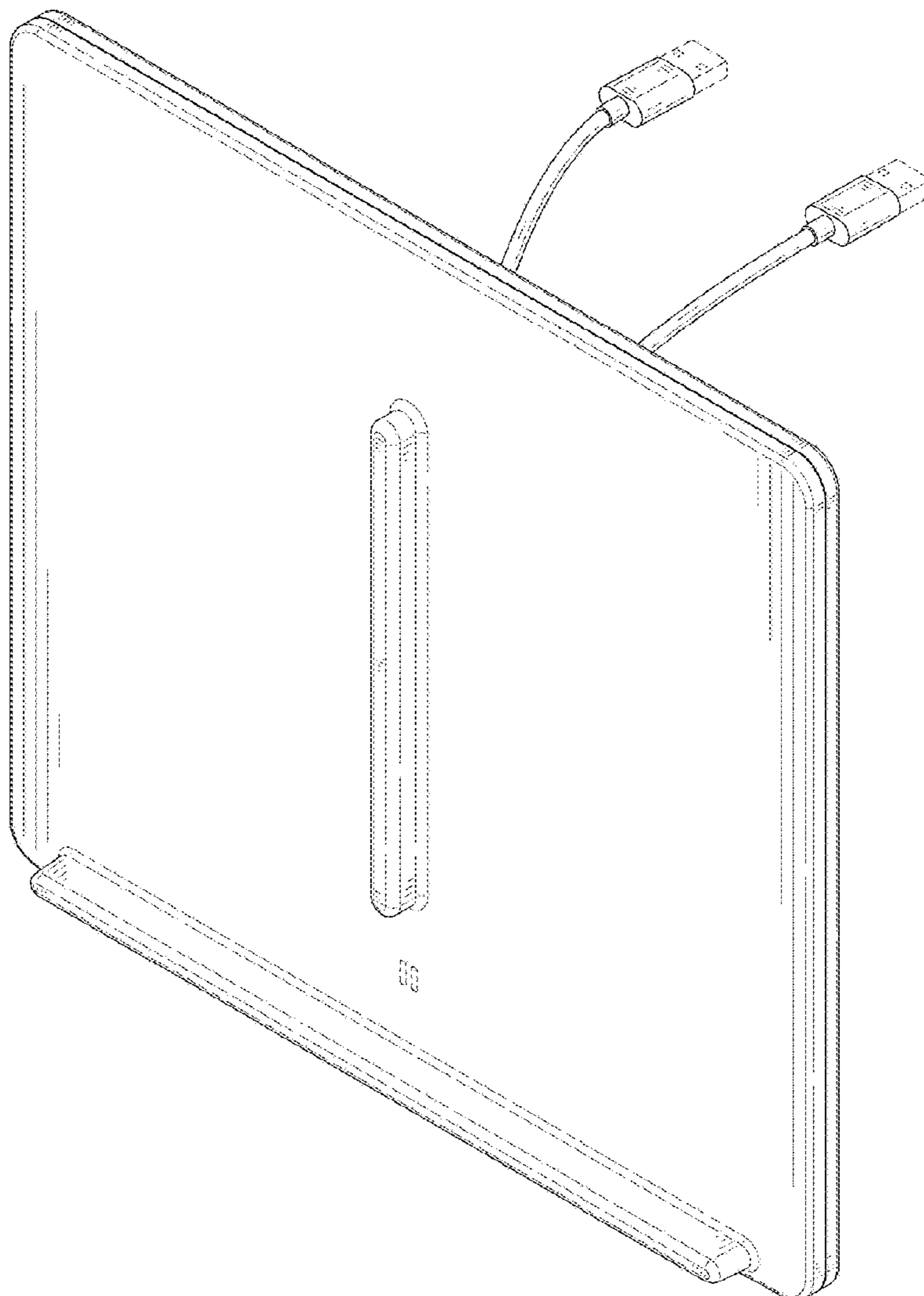
Reexamination Certificate for:

Patent No.: **Des. 851,588**
Issued: **Jun. 18, 2019**
Appl. No.: **29/676,023**
Filed: **Jan. 8, 2019**

(56) **References Cited**

To view the complete listing of prior art documents cited during the proceeding for Reexamination Control Number 90/014,478, please refer to the USPTO's public Patent Application Information Retrieval (PAIR) system under the Display References tab.

Primary Examiner — Philip S Hyder



1
EX PARTE
REEXAMINATION CERTIFICATE

THE PATENT IS HEREBY AMENDED AS 5
INDICATED BELOW.

AS A RESULT OF REEXAMINATION, IT HAS BEEN
DETERMINED THAT:

The sole design claim is cancelled. 10

* * * * *