



US00D851587S

(12) **United States Design Patent**
Schmidt et al.

(10) **Patent No.:** **US D851,587 S**
(45) **Date of Patent:** **** Jun. 18, 2019**

(54) **CHARGING DOCK**

(71) Applicant: **Belkin International, Inc.**, Playa Vista, CA (US)
(72) Inventors: **Peter Schmidt**, Los Angeles, CA (US); **Paer Saangloef**, Mar Vista, CA (US); **Oliver Seil**, Los Angeles, CA (US); **Mitchell Suckle**, Long Beach, CA (US); **Tom Kwon**, Redondo Beach, CA (US)

(73) Assignee: **BELKIN INTERNATIONAL, INC.**, Playa Vista, CA (US)

(**) Term: **15 Years**

(21) Appl. No.: **29/632,285**

(22) Filed: **Jan. 5, 2018**

(51) **LOC (11) Cl.** **13-02**

(52) **U.S. Cl.**
USPC **D13/108**

(58) **Field of Classification Search**
USPC D13/107–110, 118–119, 184, 199; D14/251, 253, 432, 434
CPC Y02E 60/12; Y02T 90/14; Y02T 90/122; Y02T 90/128; Y02T 90/163; H02J 7/025; H02J 7/0042; H02J 7/0044; H02J 7/0045; H02J 7/0003; H01F 38/14; H01R 13/6675; H01M 2/1022; H01M 2/1055; H01M 10/44; H01M 10/46; H01M 10/425; B60L 11/182
See application file for complete search history.

(56) **References Cited**

U.S. PATENT DOCUMENTS

D433,994 S	*	11/2000	Jobs	D13/110
D609,636 S	*	2/2010	Jensen	D13/108
D694,182 S	*	11/2013	Lee	D13/108
D696,190 S	*	12/2013	Brandtman	D13/108
D697,027 S	*	1/2014	Ho	D13/108

(Continued)

OTHER PUBLICATIONS

Hill, Simon, "Charge up your iPhone or Android with the best wireless phone chargers," <https://www.digitaltrends.com/mobile/best-wireless-phone-chargers/>, posted on Nov. 3, 2017, 12:00 pm.
(Continued)

Primary Examiner — Rosemary K Tarcza
(74) *Attorney, Agent, or Firm* — Bryan Cave Leighton Paisner LLP

(57) **CLAIM**

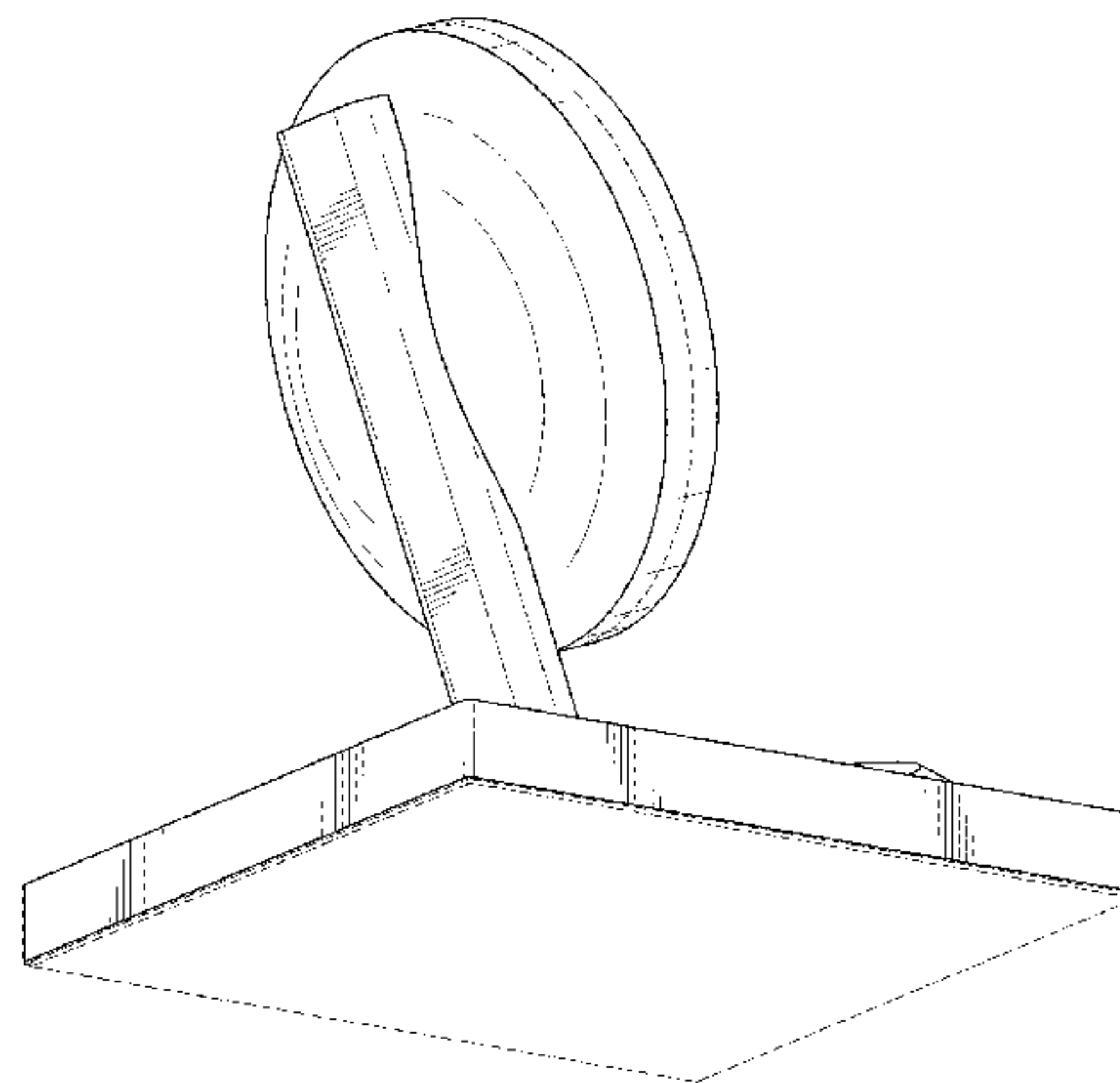
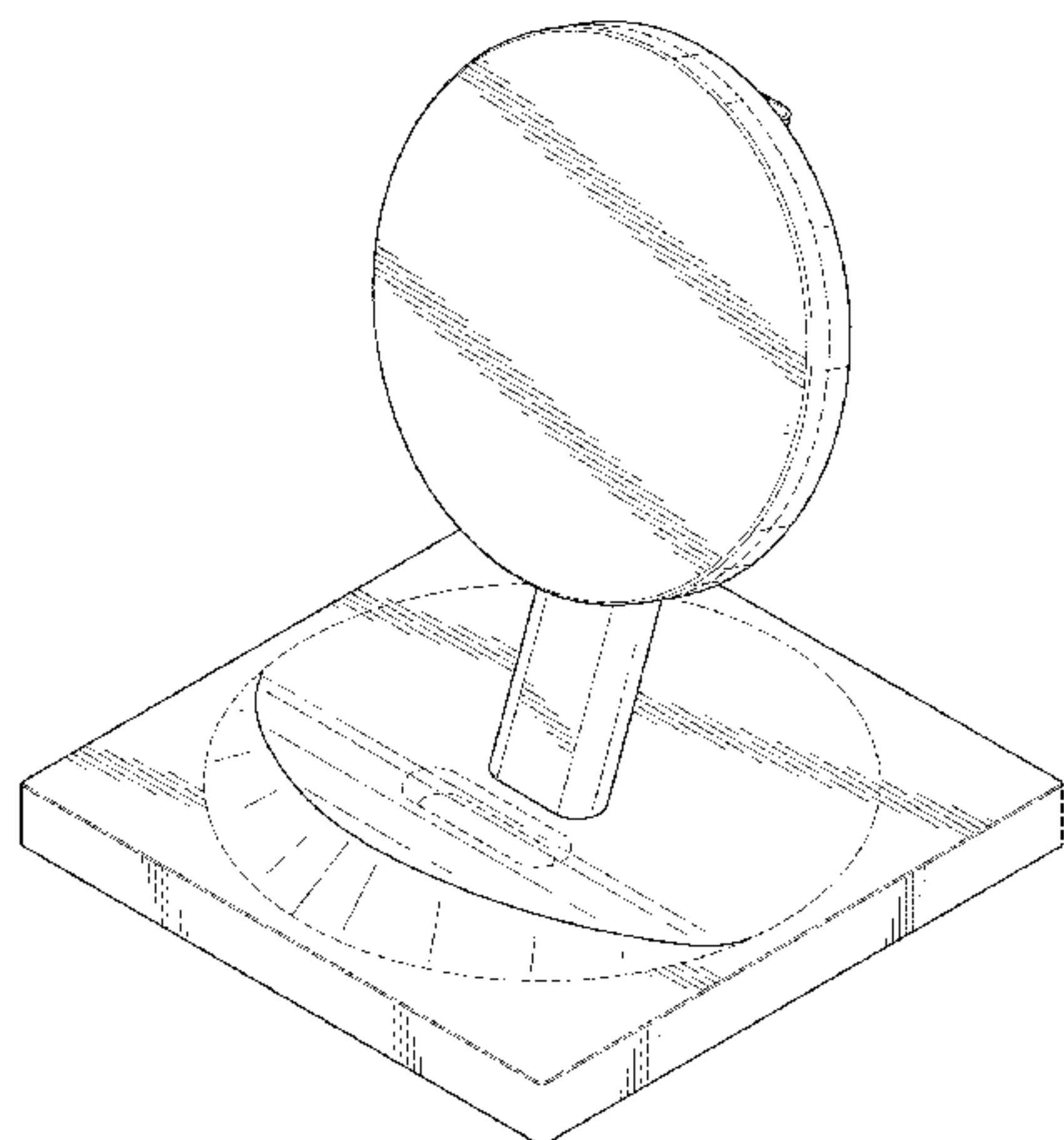
The ornamental design for a charging dock, as shown and described.

DESCRIPTION

FIG. 1 is a front, top, right perspective view of the charging dock in a first configuration;
FIG. 2 is a rear, bottom, left perspective view of the charging dock in the first configuration;
FIG. 3 is a front elevational view of the charging dock in the first configuration;
FIG. 4 is a rear elevational view of the charging dock in the first configuration;
FIG. 5 is a top plan view of the charging dock in the first configuration;
FIG. 6 is a bottom plan view of the charging dock in the first configuration;
FIG. 7 is a right side elevational view of the charging dock in the first configuration;
FIG. 8 is a left side elevational view of the charging dock in the first configuration; and,
FIG. 9 is a front elevational view of the charging dock in a second configuration.

The broken lines in the drawings are for the purpose of illustrating environmental structure and portions of the article which form no part of the claimed design.

1 Claim, 6 Drawing Sheets



(56)

References Cited

U.S. PATENT DOCUMENTS

D706,212 S	*	6/2014	Zwierstra	D13/107
D720,289 S	*	12/2014	Chiang	D13/108
D738,823 S	*	9/2015	Chen	D13/108
D749,504 S	*	2/2016	Jeong	D13/108
D774,455 S	*	12/2016	Kim	D13/108
D777,103 S	*	1/2017	Park	D13/108
D797,042 S	*	9/2017	Miller	D13/107
D797,667 S	*	9/2017	Park	D13/108
D797,668 S	*	9/2017	Park	D13/108
D824,851 S	*	8/2018	Antonetti	D13/108

OTHER PUBLICATIONS

Sketchpunk, "Minimalistic Adjustable Qi Charger Stand," <https://www.thingiverse.com/thing:708594>, published Mar. 4, 2015.

* cited by examiner

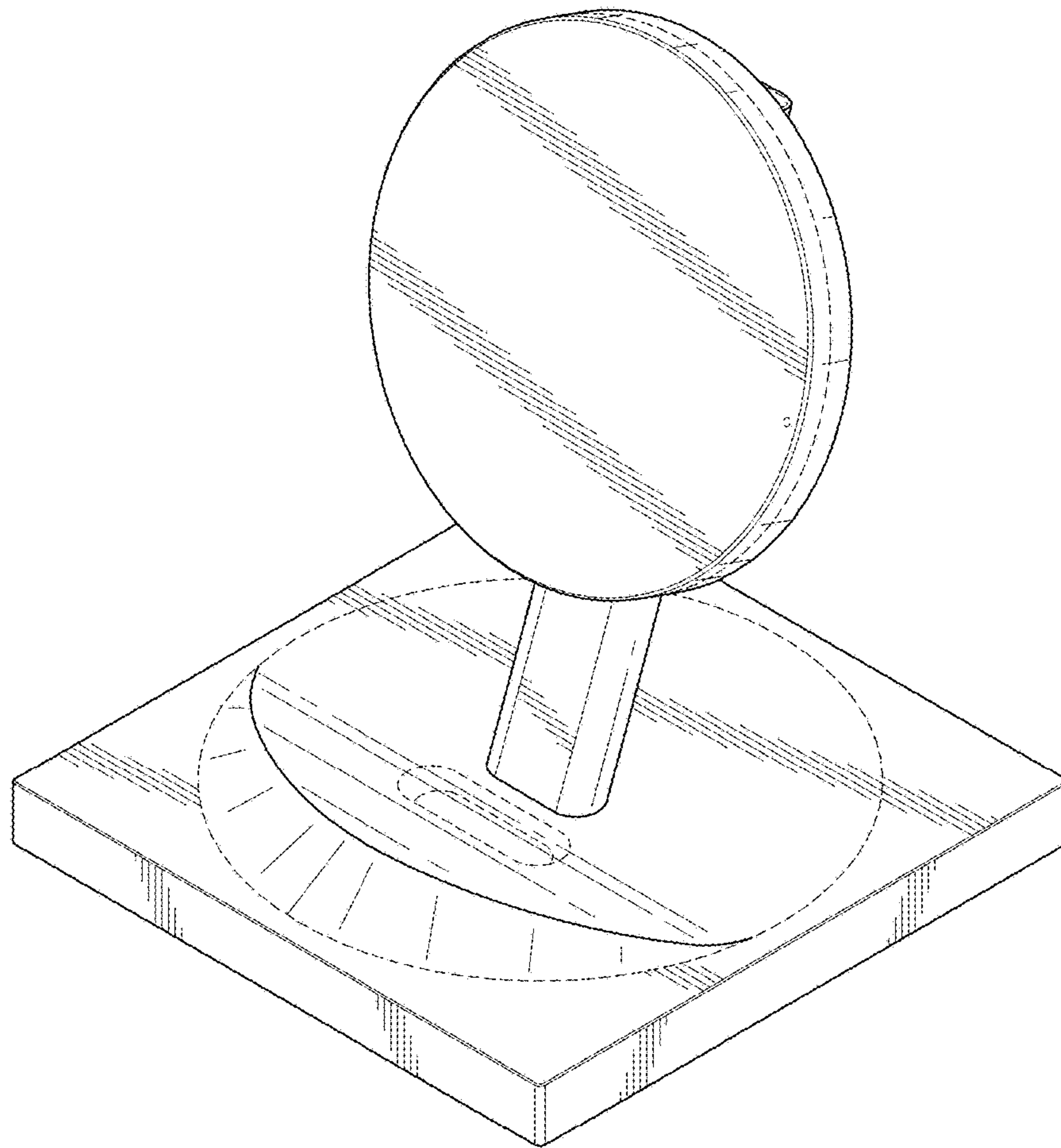


FIG. 1

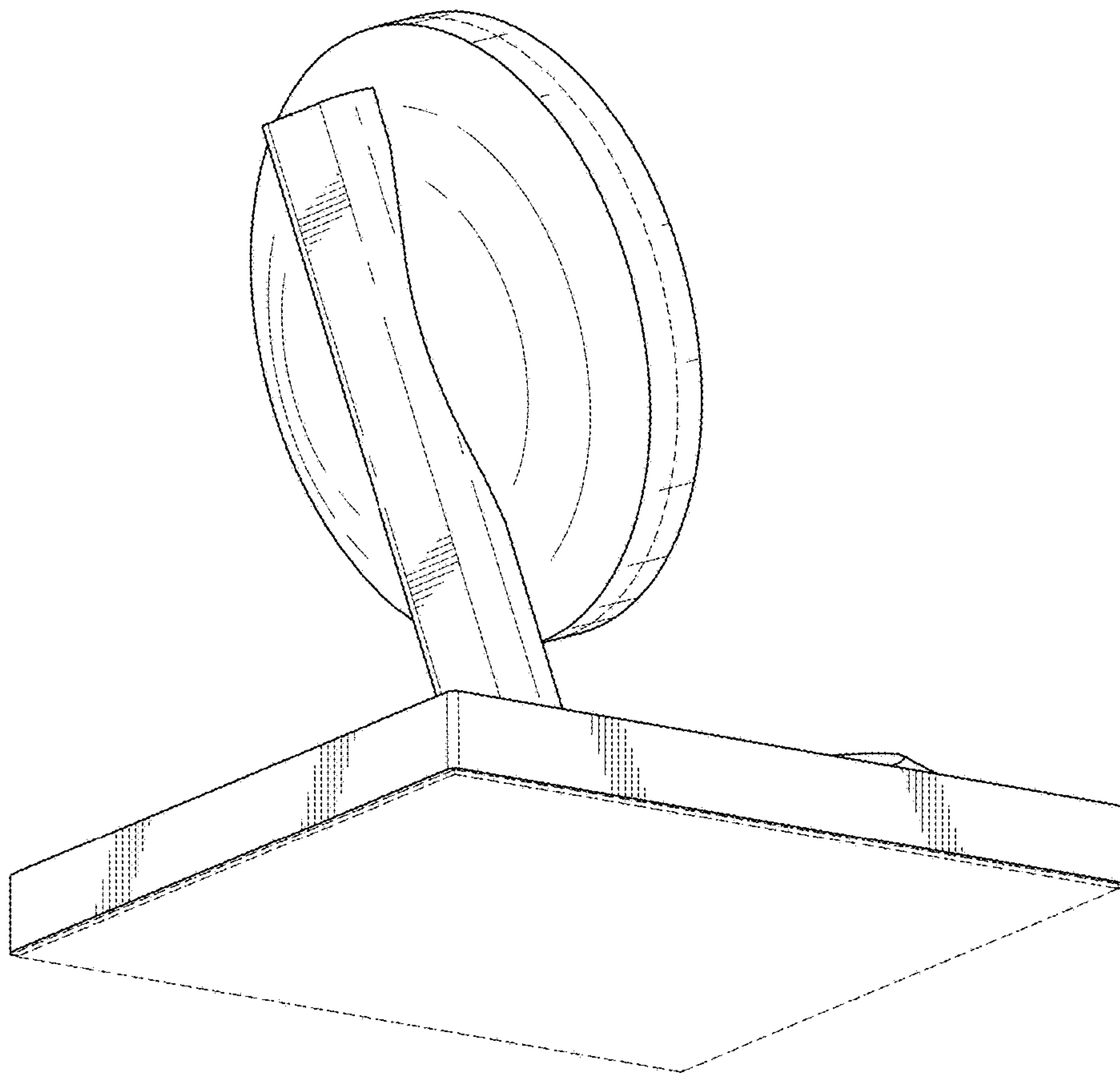


FIG. 2

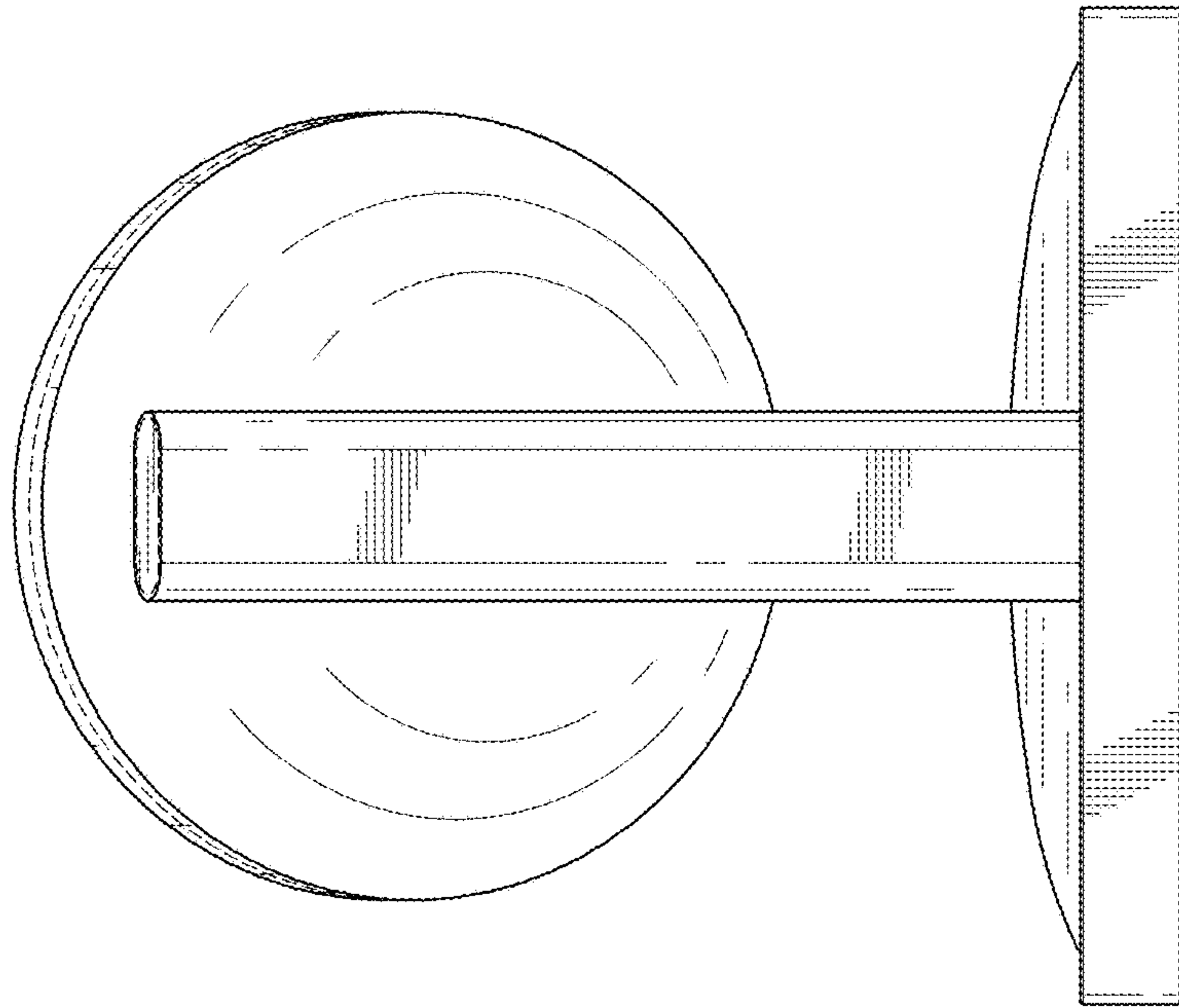


FIG. 4

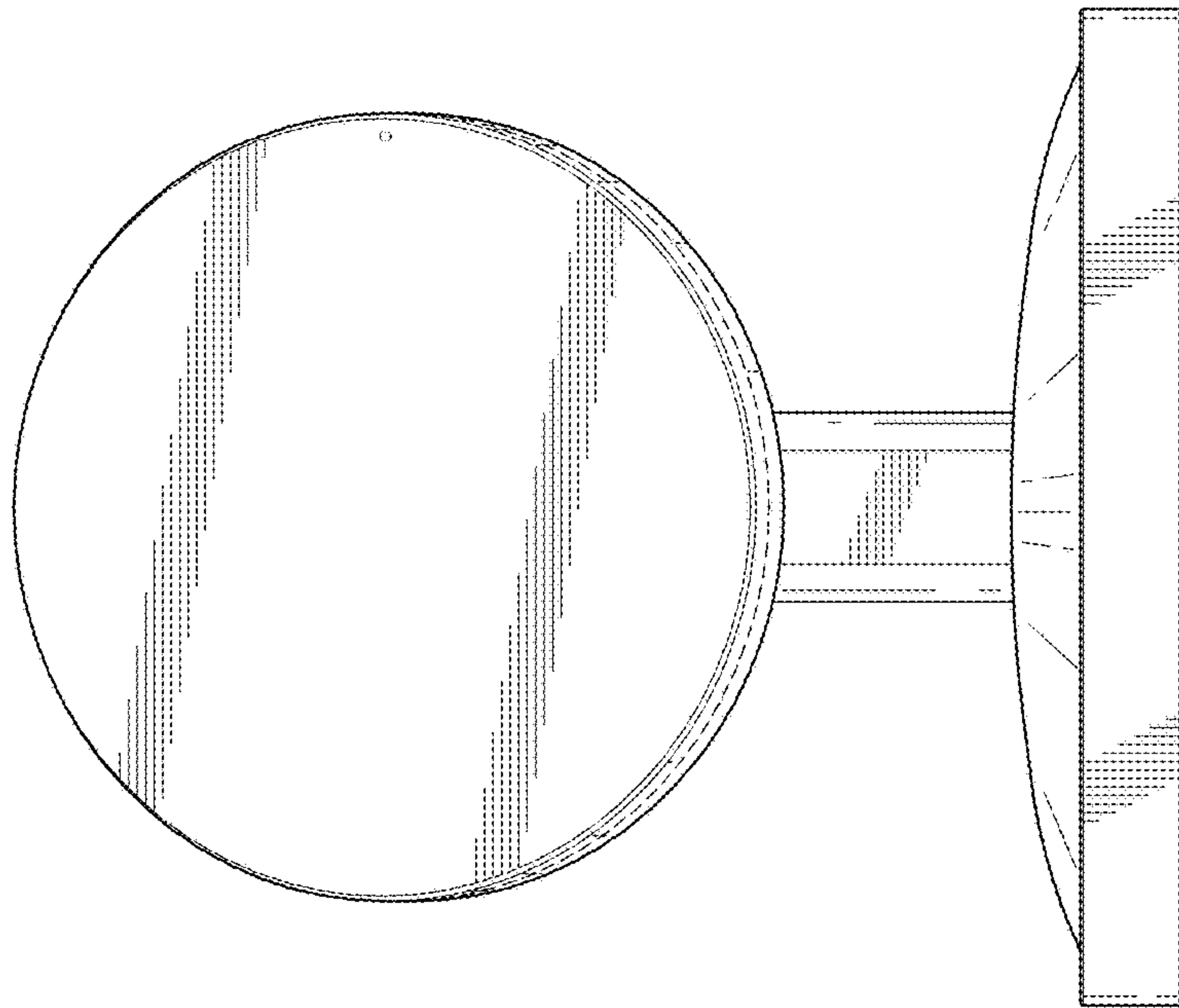


FIG. 3

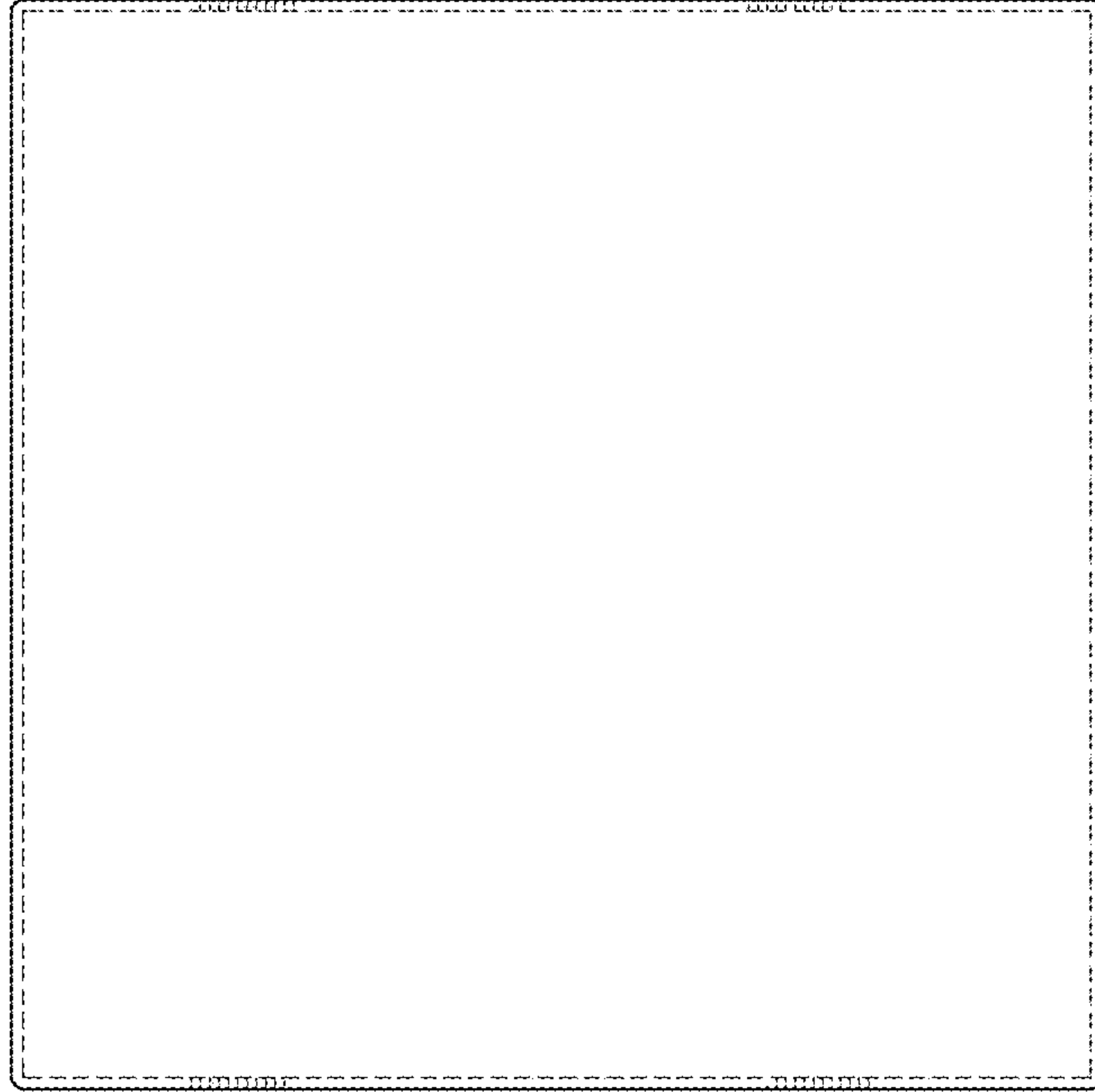


FIG. 6

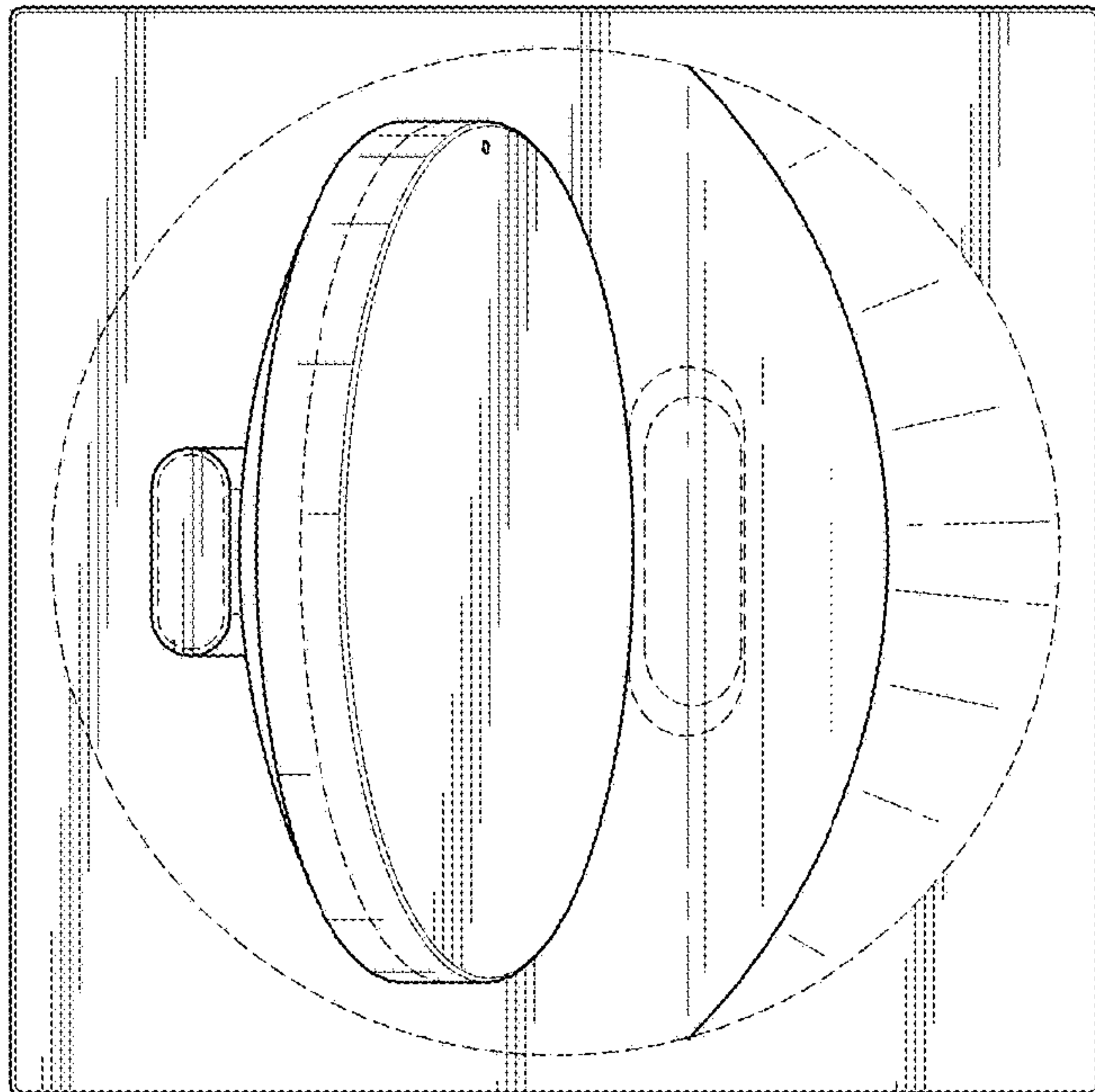
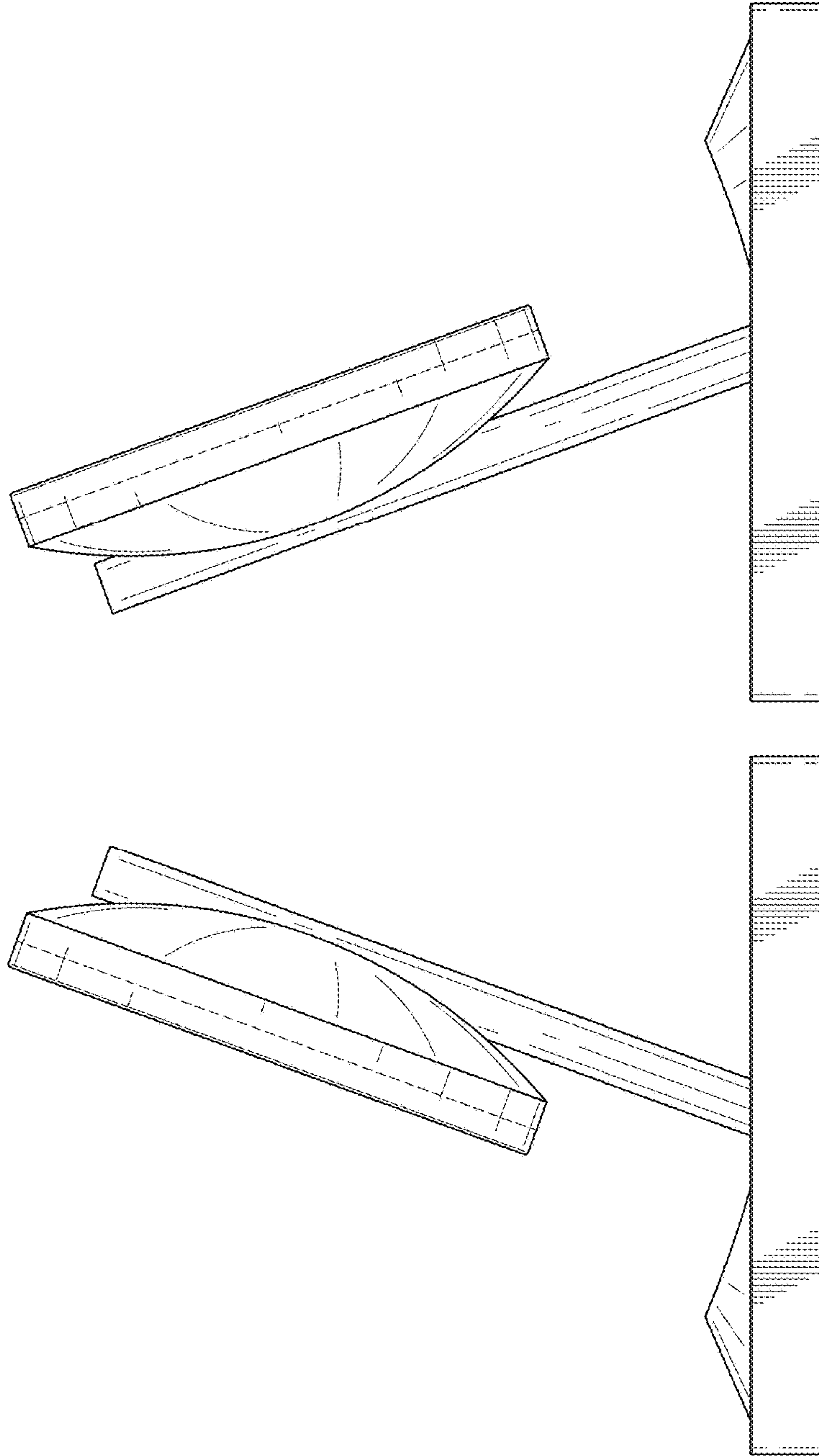


FIG. 5



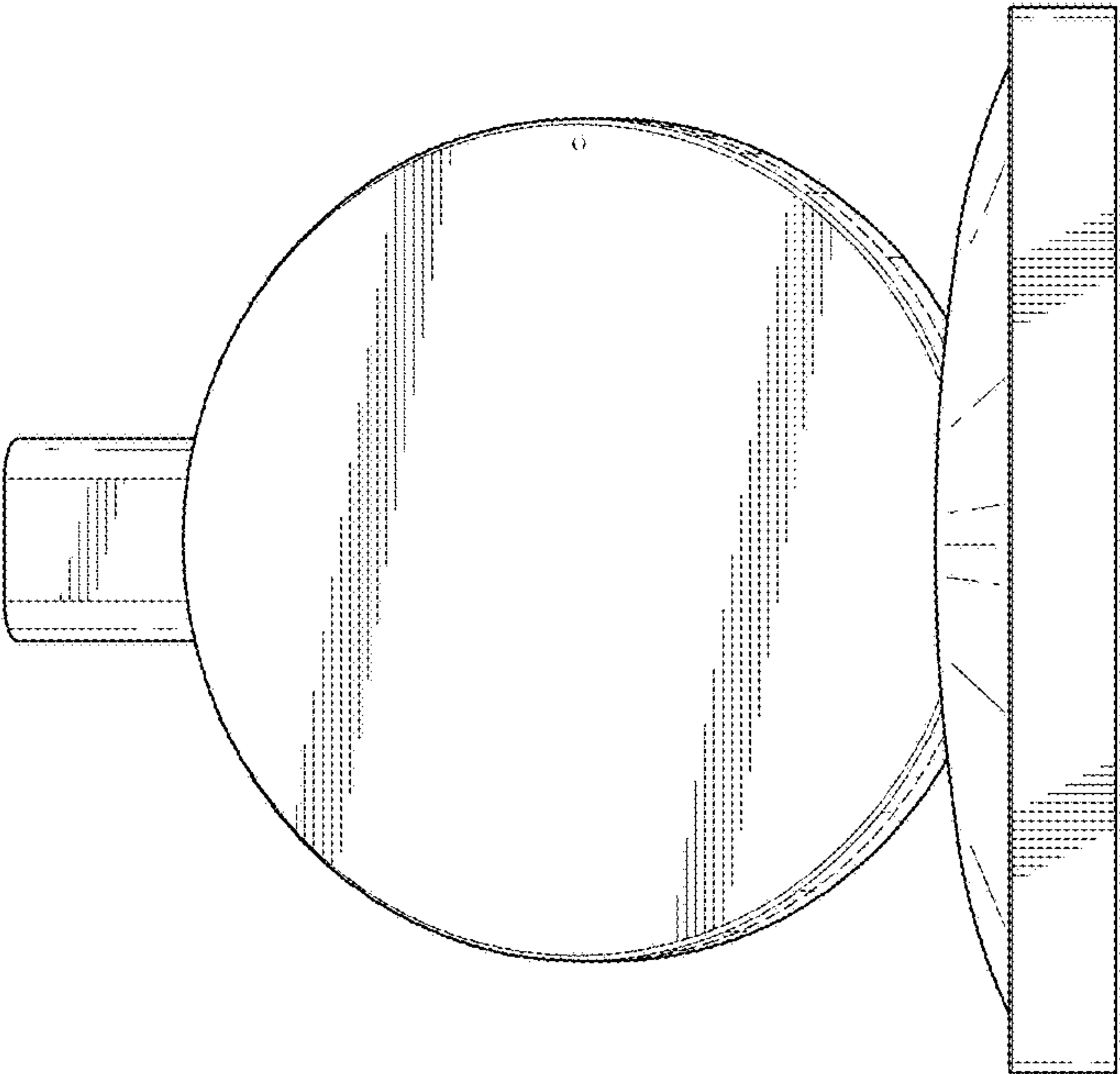


FIG. 9