



US00D851586S

(12) **United States Design Patent**
Liu

(10) **Patent No.:** **US D851,586 S**
(45) **Date of Patent:** **** Jun. 18, 2019**

(54) **POWER BANK**

(71) Applicant: **SHENZHEN CHIC ELECTRICS**
CO. LTD, Shenzhen, Guangdong (CN)

(72) Inventor: **Xinhua Liu**, Shenzhen (CN)

(73) Assignee: **Shenzhen Chic Electrics Co. Ltd.**,
Shenzhen (CN)

(**) Term: **15 Years**

(21) Appl. No.: **29/630,024**

(22) Filed: **Dec. 19, 2017**

(30) **Foreign Application Priority Data**

Aug. 17, 2017 (CN) 2017 3 0379656

(51) **LOC (11) Cl.** **13-02**

(52) **U.S. Cl.**
USPC **D13/108; D13/103**

(58) **Field of Classification Search**
USPC D13/102-106, 110, 118, 119, 184, 199,
D13/107, 108; D14/250
CPC Y02E 60/12; Y02E 60/122; Y02E 60/124;
Y02E 60/50; H01M 2/02; H01M 2/022;
H01M 2/0202; H01M 2/0207; H01M
2/0212; H01M 2/1061; H01M 2/1022;
H01M 2/1055; H01M 2/1066; H01M
2/105; H01M 2/204; H01M 10/4257;
H01M 10/0436; H01M 10/48; H02J 7/00;
H02J 7/0003; H02J 7/0011; H02J 7/0013;
H02J 7/0054; H02J 7/0055; H02J 7/0057
See application file for complete search history.

(56) **References Cited**

U.S. PATENT DOCUMENTS

D681,550 S * 5/2013 Corbin D13/103
D701,490 S * 3/2014 Inskeep D13/110
D742,822 S * 11/2015 Ju D13/103
D743,332 S * 11/2015 Ju D13/103

D753,059 S * 4/2016 Krantz D13/110
D760,164 S * 6/2016 Aida D13/110
D786,192 S * 5/2017 Liu D13/107
D809,454 S * 2/2018 Zhou D13/103
D813,162 S * 3/2018 Krantz D13/110
D818,953 S * 5/2018 Xu D13/110
D821,310 S * 6/2018 Krantz D13/110
D836,064 S * 12/2018 Liu D13/102

OTHER PUBLICATIONS

Amazon.com: YABER 1200A Portable Waterproof Car Battery Jump Starter. Published Aug. 24, 2018. Retrieved from the internet at <<https://www.amazon.com/Portable-Waterproof-15000mAh-Charging-Flashlight/dp/B07DJ3P9M5/>>, Jan. 19, 2019. 1 page. (Year: 2018).*

* cited by examiner

Primary Examiner — Rosmary K Tarcza
Assistant Examiner — Christy M Nemeth
(74) *Attorney, Agent, or Firm* — WPAT, PC

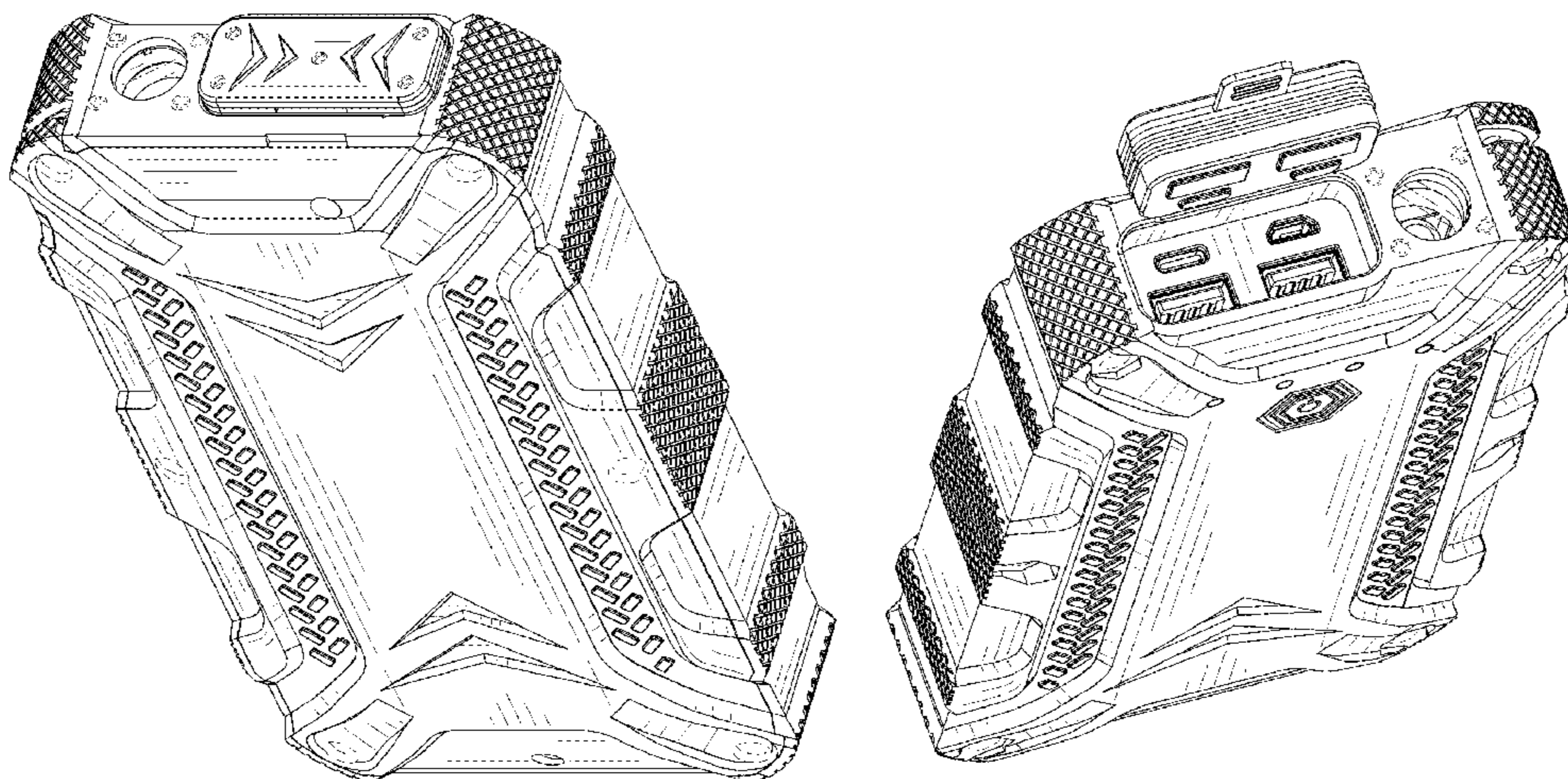
(57) **CLAIM**

The ornamental design for a power bank, as shown and described.

DESCRIPTION

FIG. 1 is a right, top and front perspective view of a power bank showing my new design;
FIG. 2 is a front elevational view thereof;
FIG. 3 is a rear elevational view thereof;
FIG. 4 is a left side elevational view thereof;
FIG. 5 is a right side elevational view thereof;
FIG. 6 is a top plan view thereof;
FIG. 7 is a bottom plan view thereof; and,
FIG. 8 is a right, top and rear perspective view with a lid in an open configuration thereof.
The broken lines in the drawings are for the purpose of illustrating portions of the power bank that form no part of the claimed design.

1 Claim, 7 Drawing Sheets



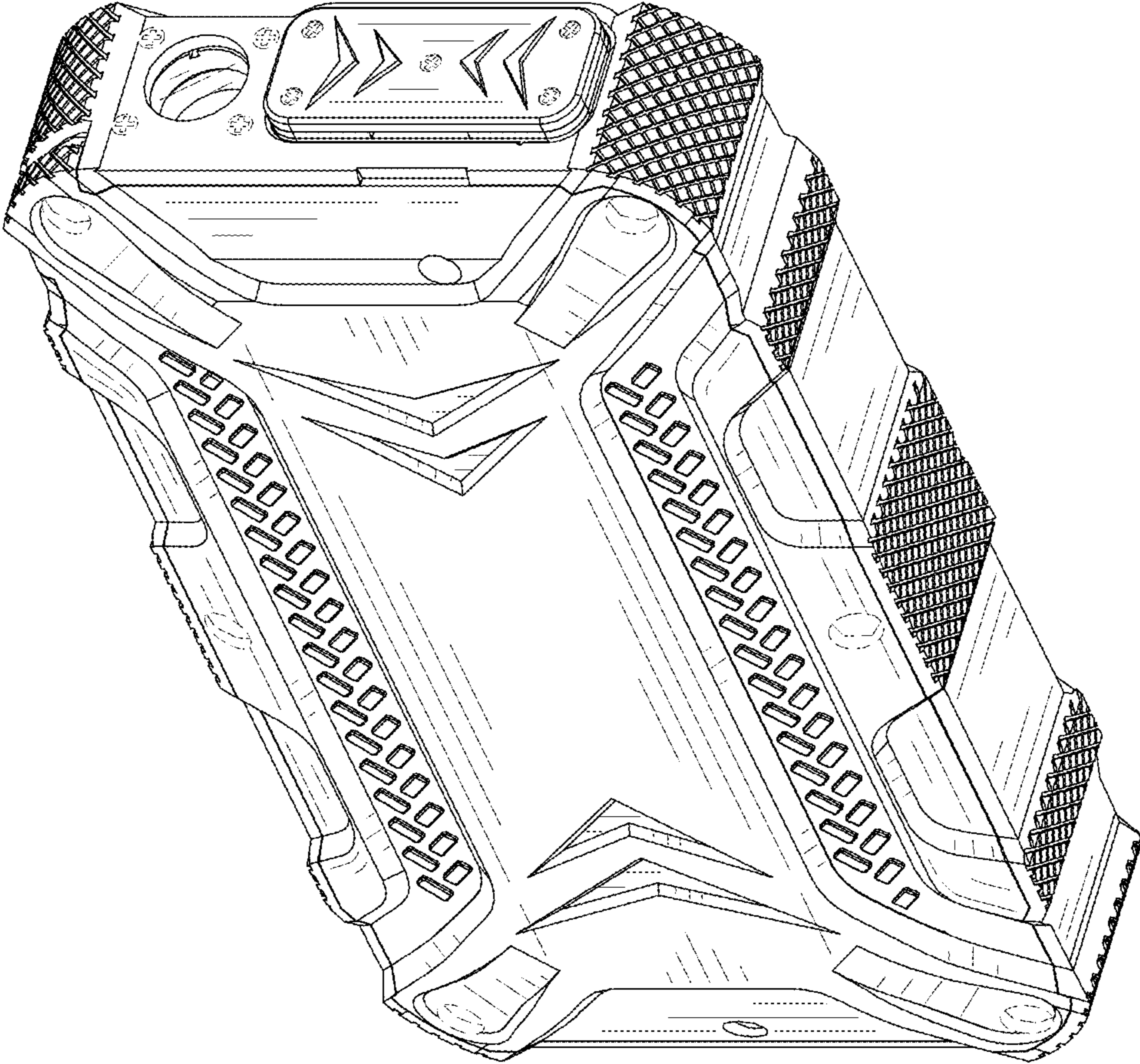


FIG. 1

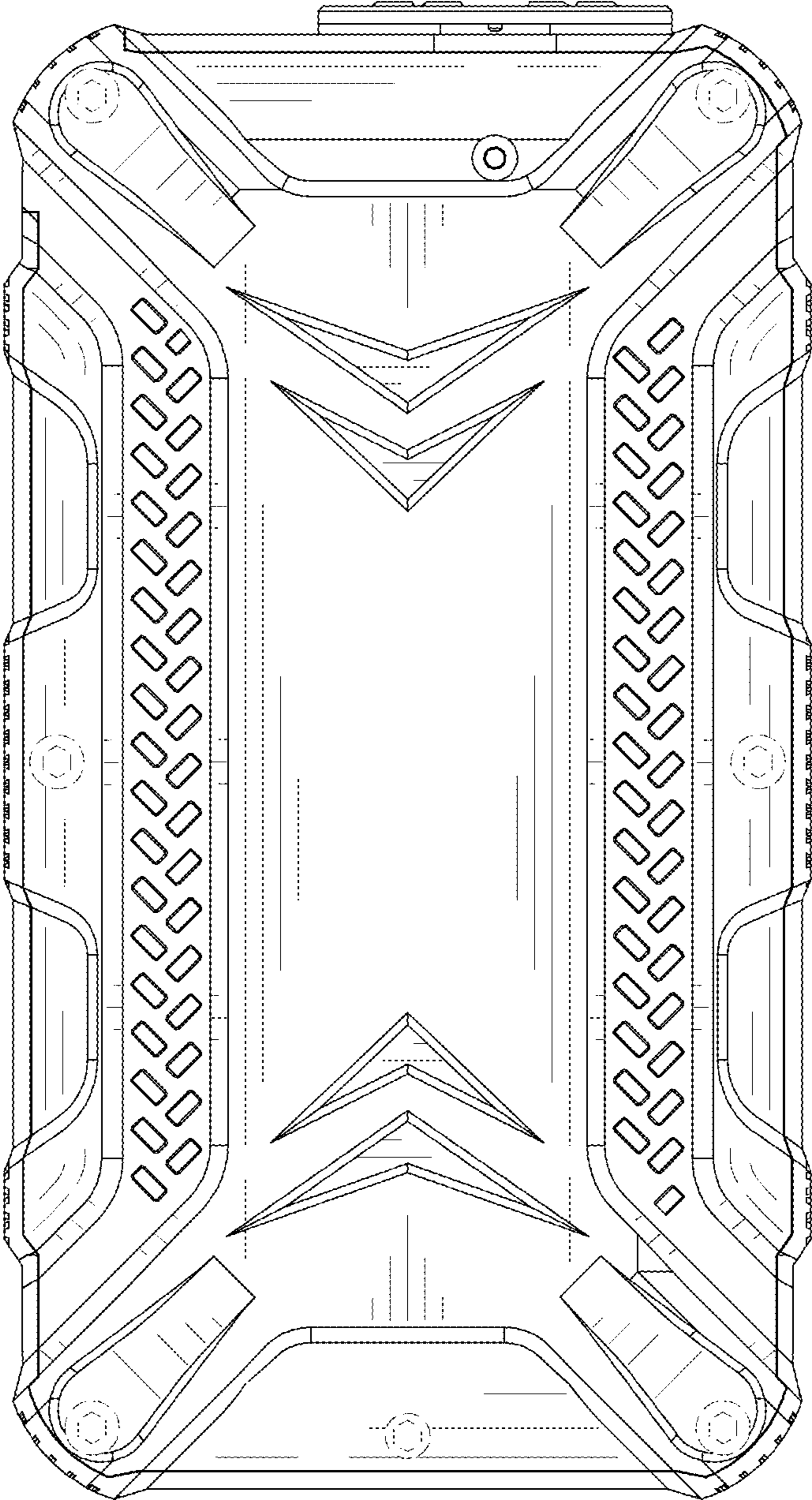


FIG. 2

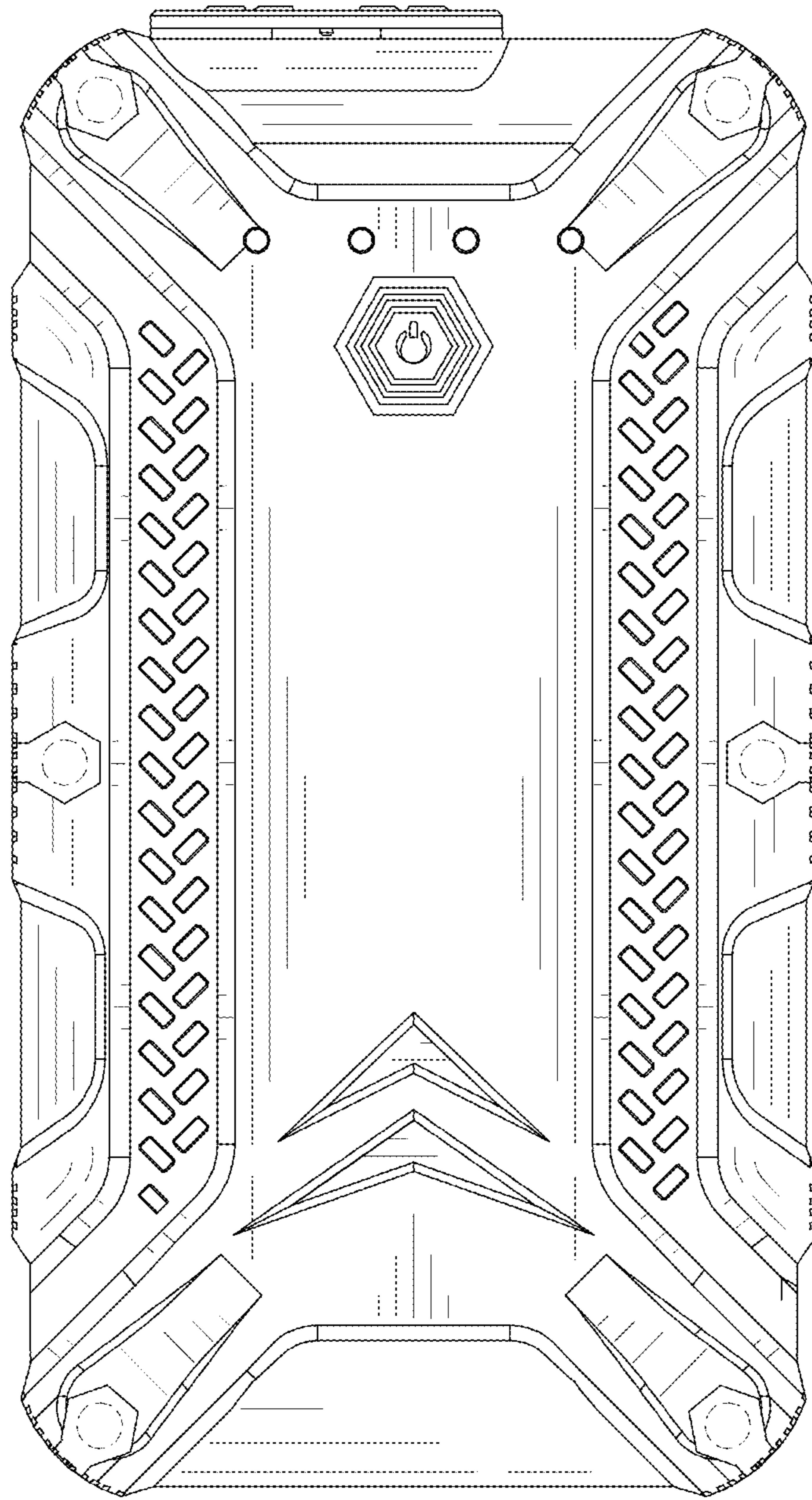


FIG. 3

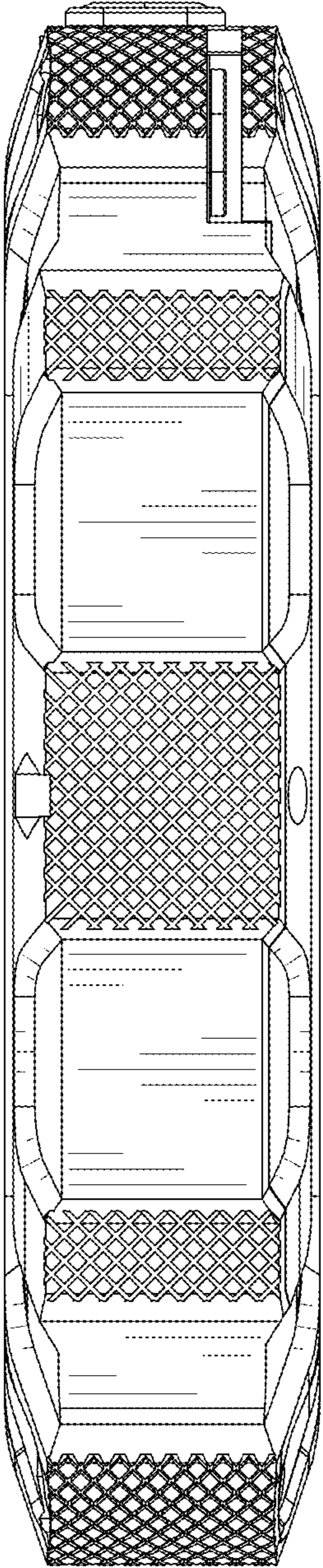


FIG. 4

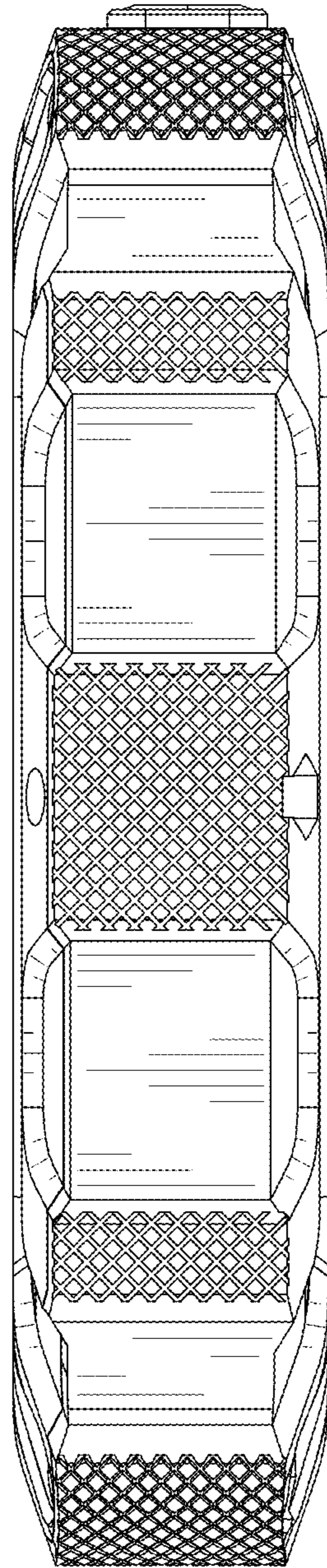


FIG. 5

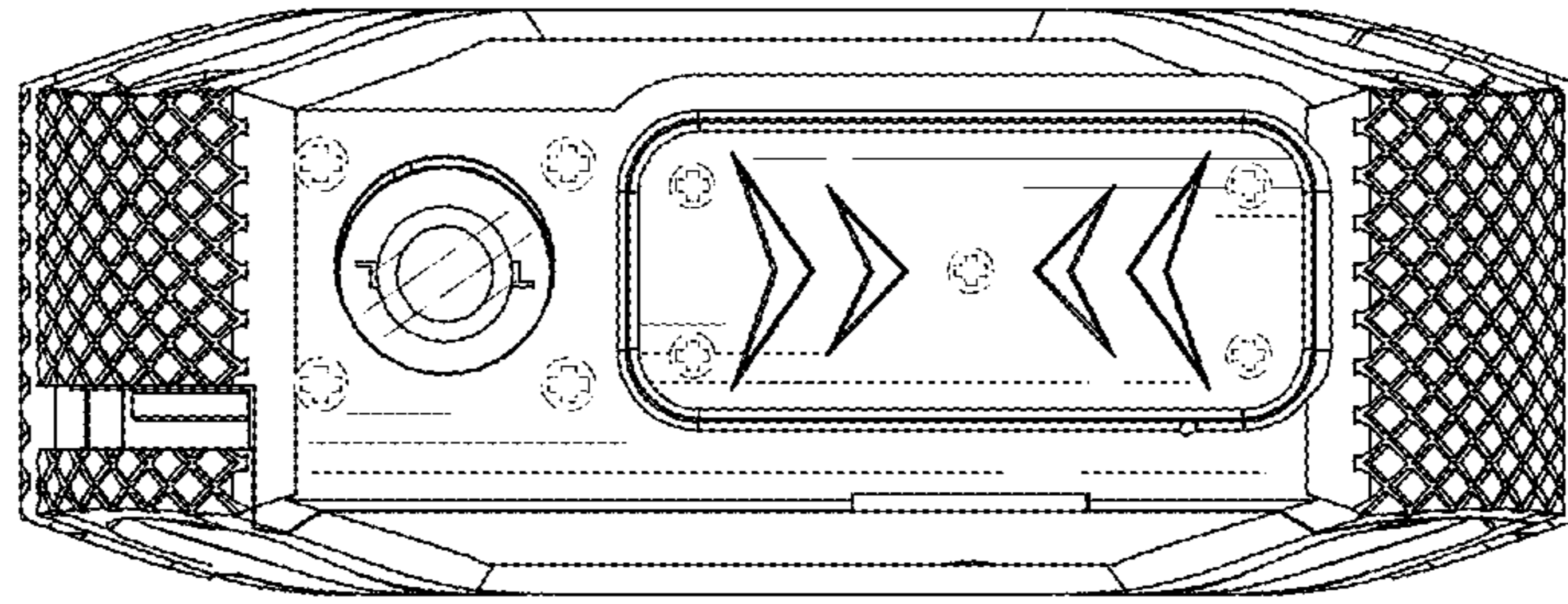


FIG. 6

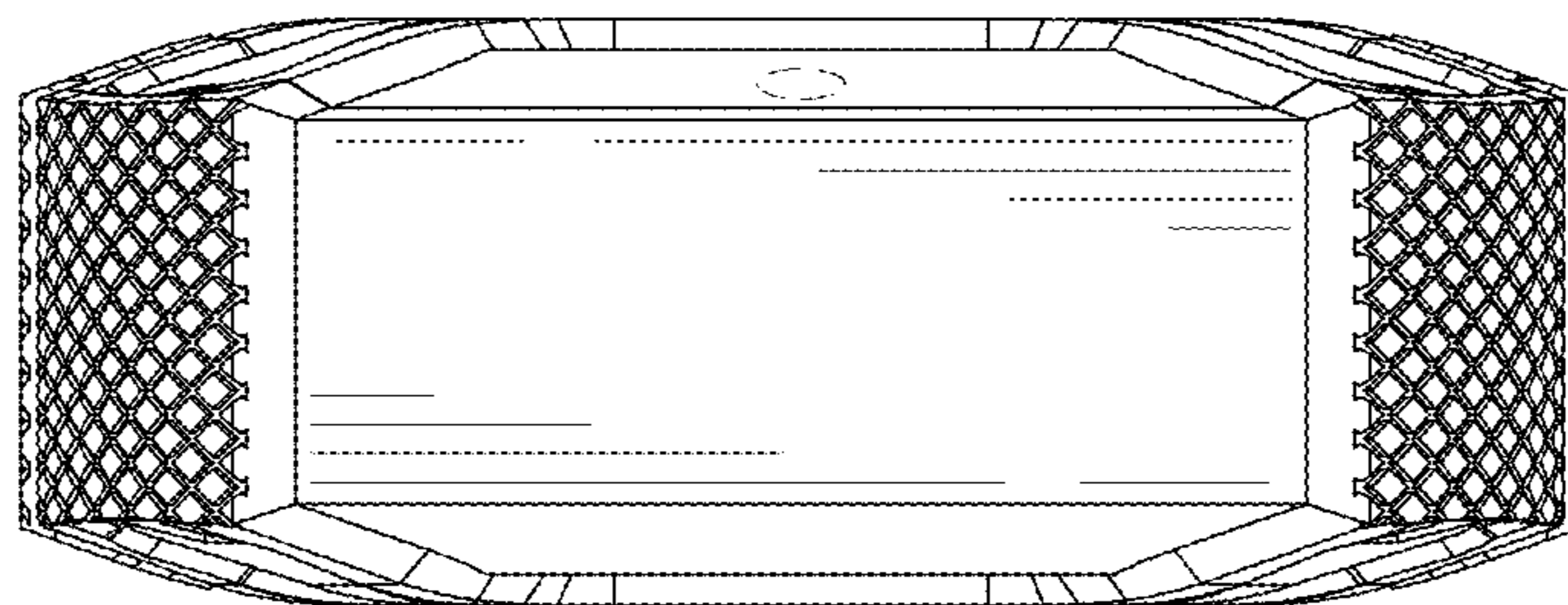


FIG. 7

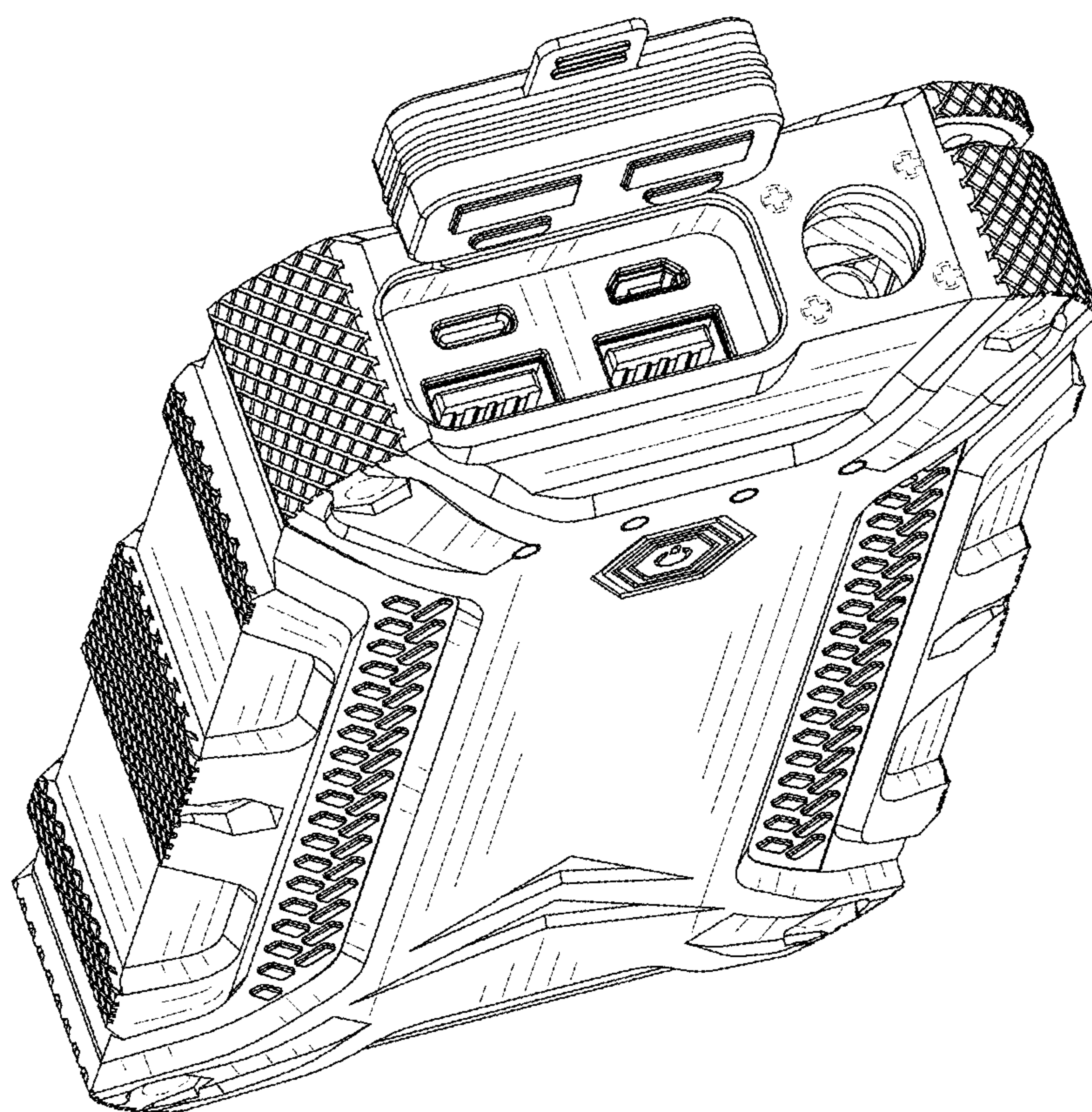


FIG. 8