



US00D851585S

(12) **United States Design Patent** (10) **Patent No.:** **US D851,585 S**
Zhao et al. (45) **Date of Patent:** **** Jun. 18, 2019**

(54) **BATTERY CHARGER**

(71) Applicant: **SZ DJI Technology Co., Ltd.**,
Shenzhen (CN)
(72) Inventors: **Tao Zhao**, Shenzhen (CN); **Kenan Li**,
Shenzhen (CN); **Yun Zhao**, Shenzhen
(CN)
(73) Assignee: **SZ DJI Technology Co., Ltd.**,
Shenzhen (CN)

(**) Term: **15 Years**
(21) Appl. No.: **29/639,933**
(22) Filed: **Mar. 9, 2018**

Related U.S. Application Data

(63) Continuation of application No. 29/579,395, filed on
Sep. 29, 2016, now Pat. No. Des. 815,034.
(51) **LOC (11) Cl.** **13-02**
(52) **U.S. Cl.**
USPC **D13/107**
(58) **Field of Classification Search**
USPC D13/103, 107-108, 110; D14/356, 432;
D27/162, 167; D7/512, 513, 700;
D23/370, 377, 385
CPC Y02E 60/10; Y02E 60/12; Y02E 60/122;
Y02E 60/124; Y02E 60/50; H01M 2/02;
H01M 2/022; H01M 2/0202; H01M
2/0207; H01M 2/0212; H01M 2/1061;
H01M 2/1022; H01M 2/1055; H01M
2/1066; H01M 2/105; H01M 2/20; H01M
2/202; H01M 2/204; H01M 2/206; H01M
10/44; H01M 10/46; H01M 10/465;
H01M 10/482; H01M 2200/30; H01M
2250/30; H01M 2250/40; H02J 7/00;
H02J 7/0003; H02J 7/0011; H02J 7/0013;
H02J 7/0054; H02J 7/0055; H02J 7/0057;
H02J 2007/0062

See application file for complete search history.

(56) **References Cited**

U.S. PATENT DOCUMENTS

D364,165 S 11/1995 Esslinger
D509,825 S 9/2005 Chen
D535,945 S * 1/2007 Towler D13/119
D588,579 S 3/2009 Ross et al.
D664,092 S * 7/2012 Gea Suarez D13/103
D664,920 S 8/2012 Huang
D687,017 S 7/2013 Ashcraft et al.
(Continued)

OTHER PUBLICATIONS

DJI Inspire 2 Intelligent Flight Battery Charging Hub, reviewed on
Feb. 14, 2017, retrieved on Dec. 2, 2018, retrieved from the Internet
URL: <https://www.adorama.com/r/dji2ch-reviews>.*

Primary Examiner — Jennifer Rivard
Assistant Examiner — Alison M Ofstun
(74) *Attorney, Agent, or Firm* — Sterne, Kessler,
Goldstein & Fox P.L.L.C.

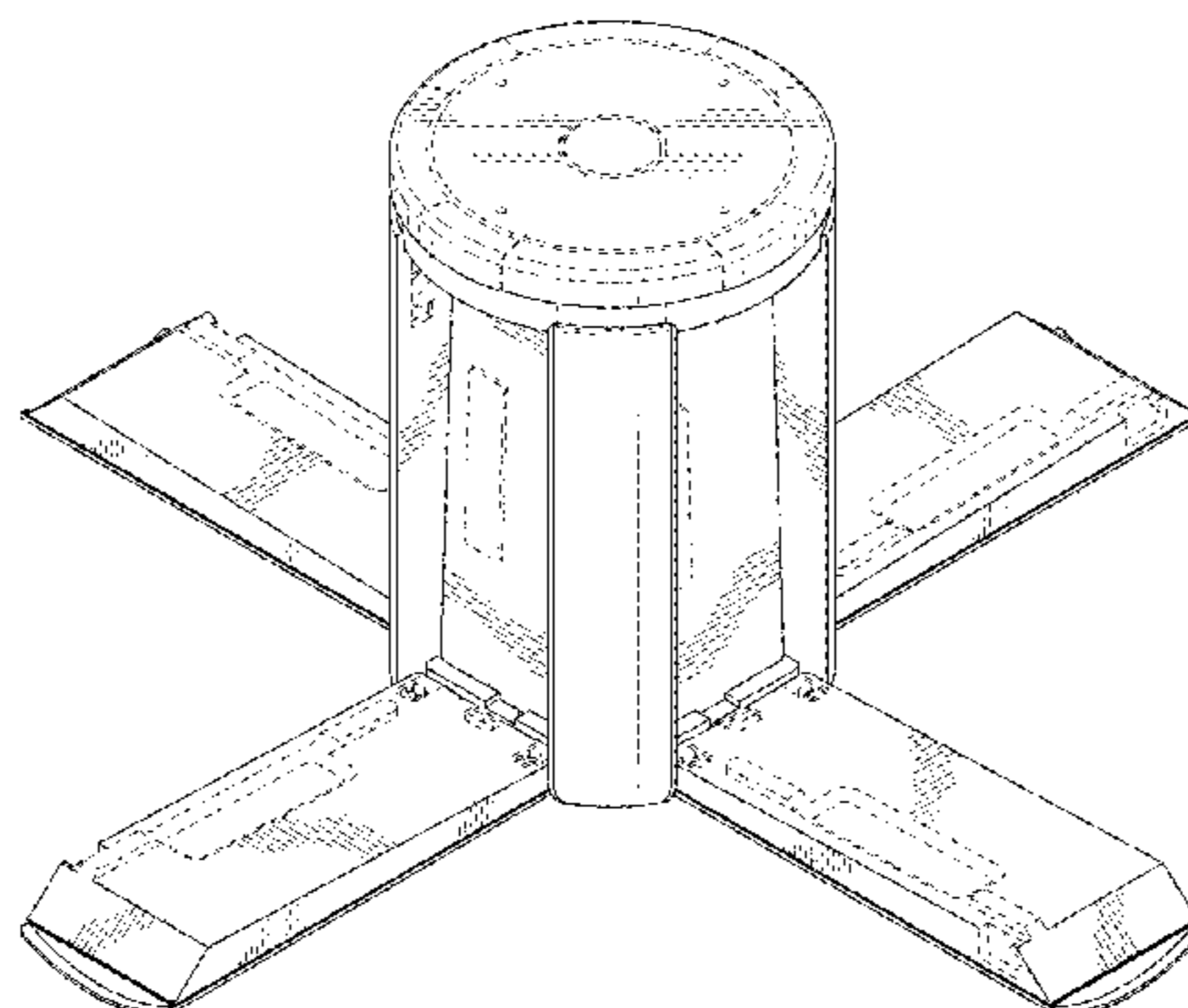
(57) **CLAIM**

The ornamental design for a battery charger, as shown and
described.

DESCRIPTION

FIG. 1 is a top front perspective view of a battery charger
showing the claimed design;
FIG. 2 is a front view thereof;
FIG. 3 is a rear view thereof;
FIG. 4 is a left side view thereof;
FIG. 5 is a right side view thereof;
FIG. 6 is a top view thereof;
FIG. 7 is a bottom view thereof; and,
FIG. 8 is a top front perspective view thereof in an envi-
ronment in which it may be used.
The broken lines in the figures show portions of the battery
charger and environment that form no part of the claimed
design.

1 Claim, 6 Drawing Sheets



(56)

References Cited

U.S. PATENT DOCUMENTS

D694,746	S	12/2013	Akana	
D720,291	S *	12/2014	Liu	D13/119
D737,789	S	9/2015	Leung et al.	
D744,541	S	12/2015	Langhammer et al.	
D758,025	S *	5/2016	Ma	D30/199
D758,304	S	6/2016	Wright	
D760,166	S *	6/2016	Cooper	D13/119
D763,210	S	8/2016	Park et al.	
D766,181	S *	9/2016	Cooper	D13/119
D780,115	S	2/2017	Huang	
D784,271	S	4/2017	Burke et al.	
D792,397	S	7/2017	Ma et al.	
D810,137	S *	2/2018	Tsang	D14/496
D813,213	S *	3/2018	Honda	D14/240
D815,034	S *	4/2018	Zhao	D13/107
D831,624	S *	10/2018	Kwon	D14/240
D833,384	S *	11/2018	Takayanagi	D13/103
2008/0166629	A1 *	7/2008	Shiau	H01M 2/0257
				429/169
2010/0231142	A1 *	9/2010	Yoon	F21L 4/027
				315/312

* cited by examiner

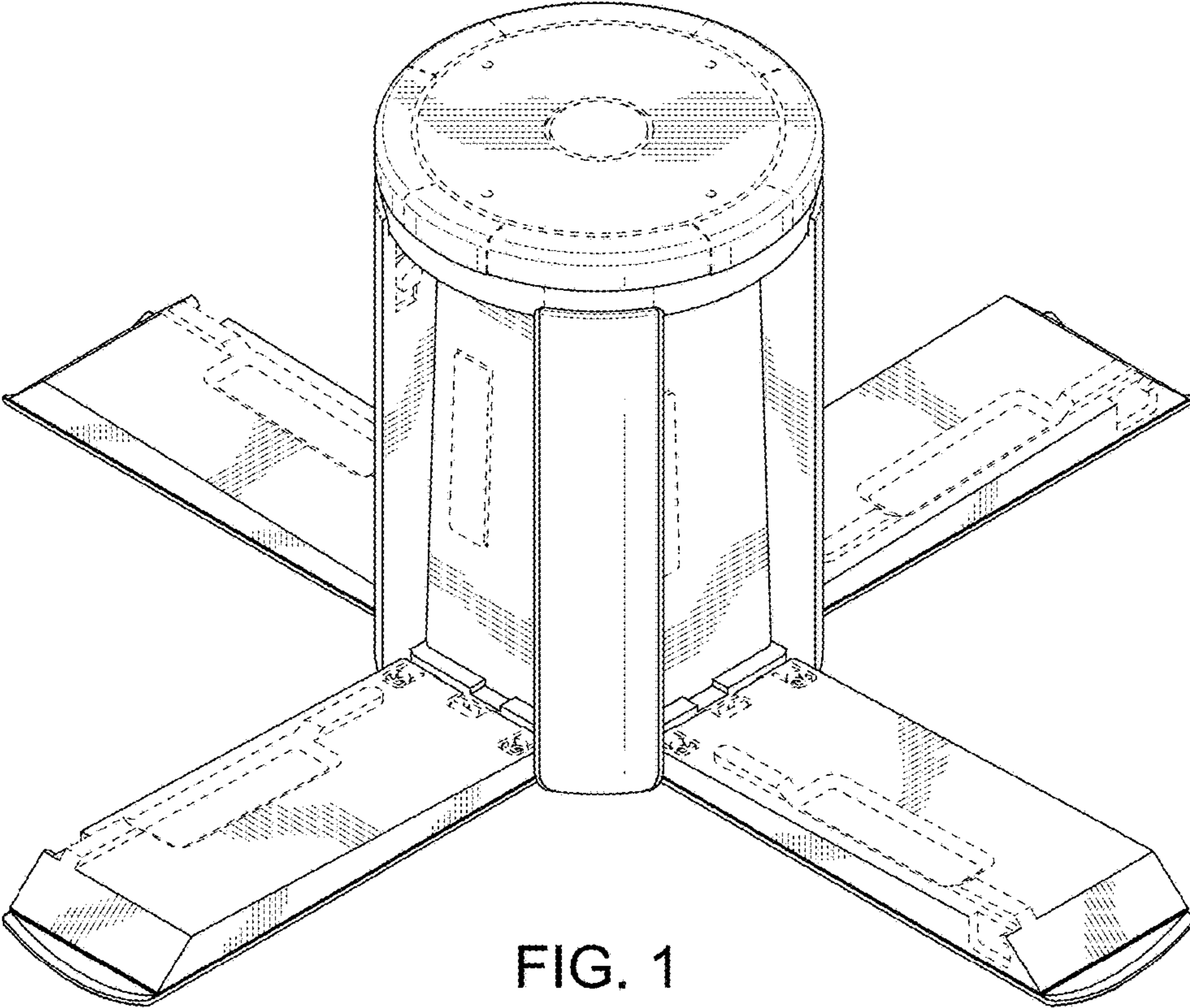


FIG. 1

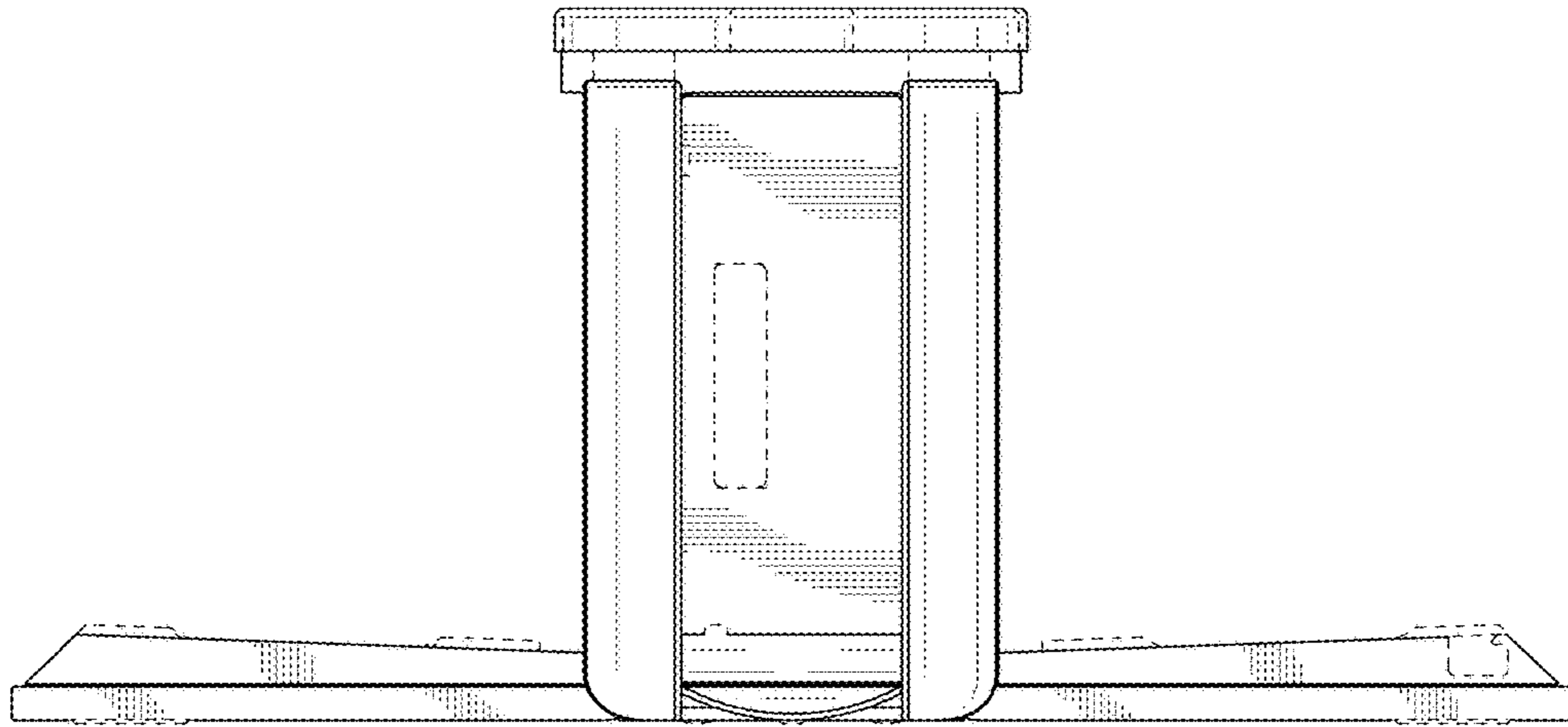


FIG. 2

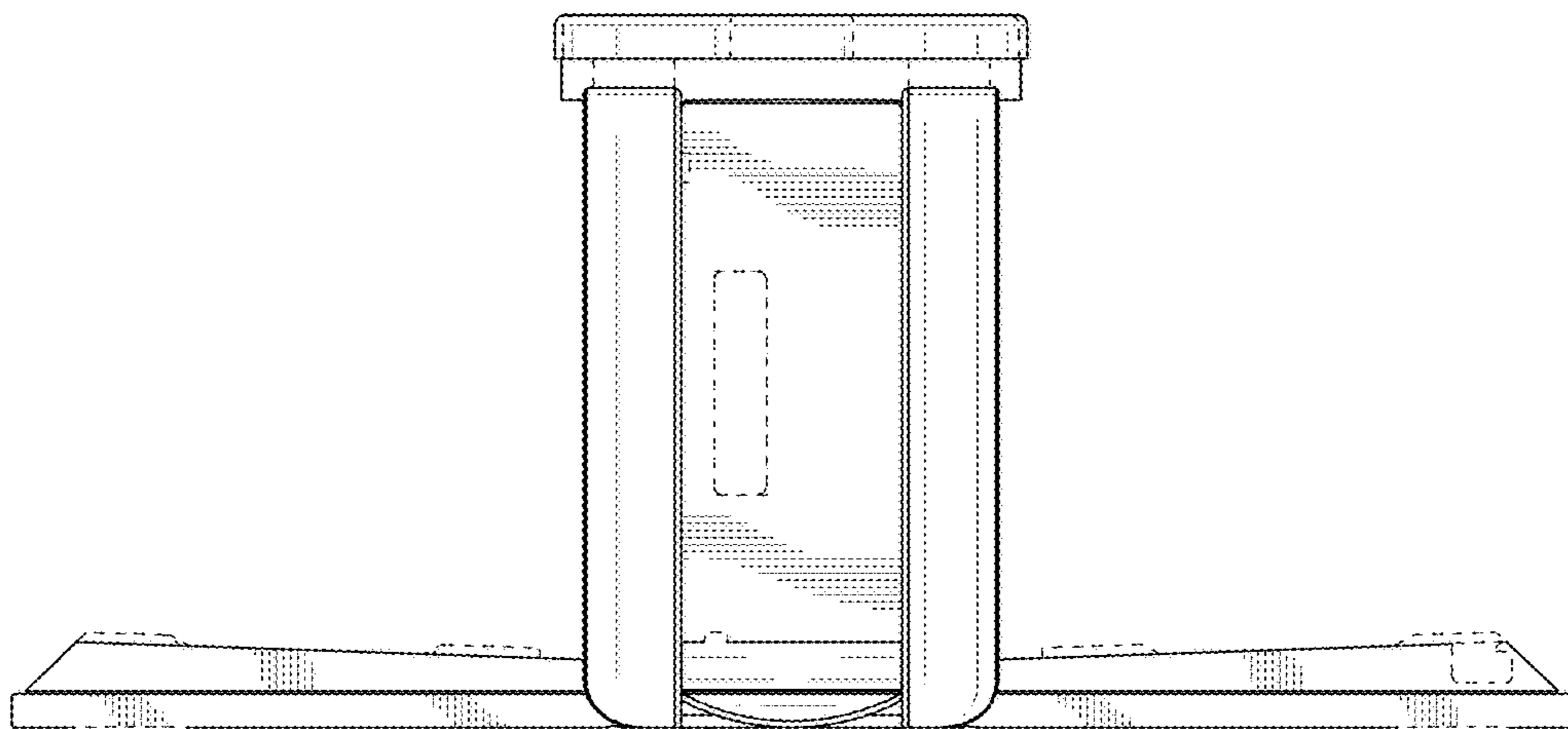


FIG. 3

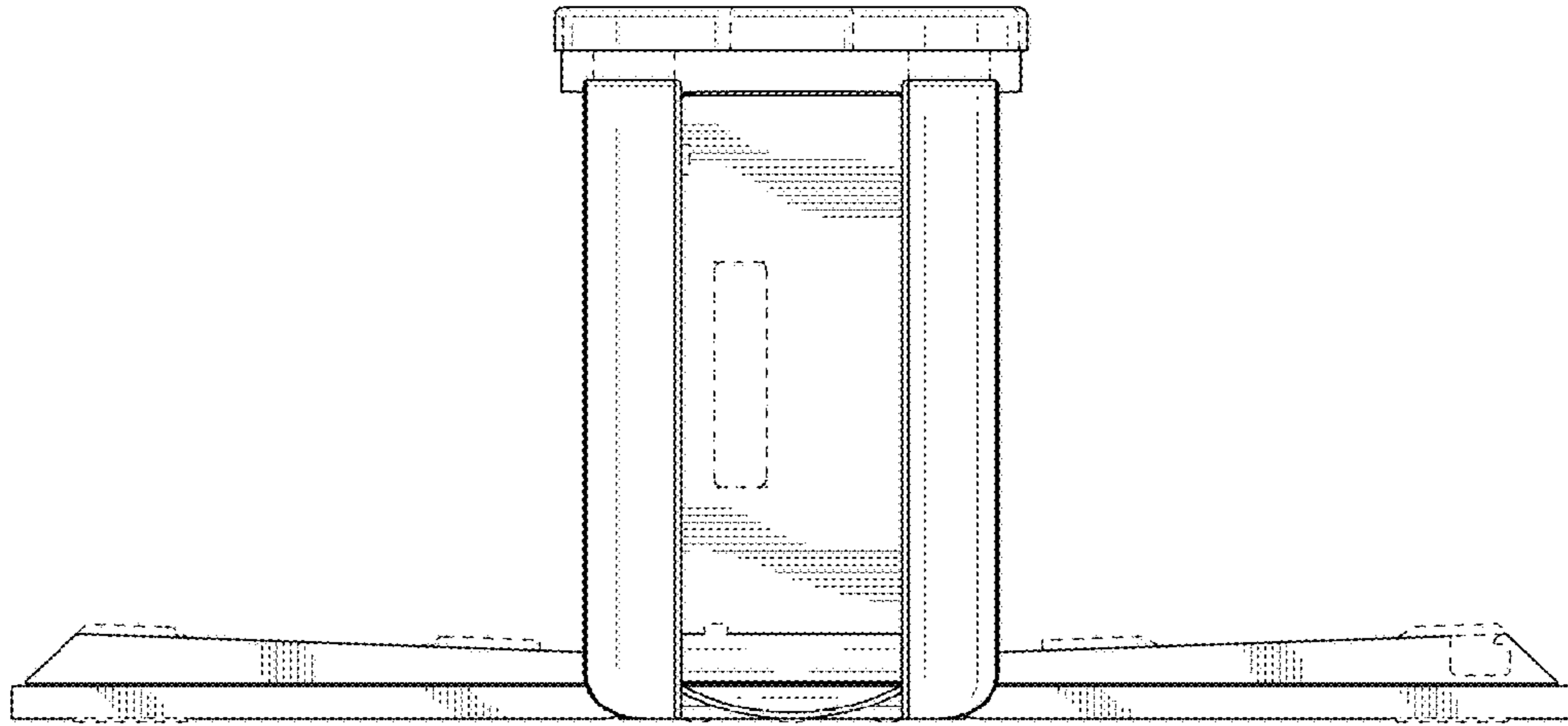


FIG. 4

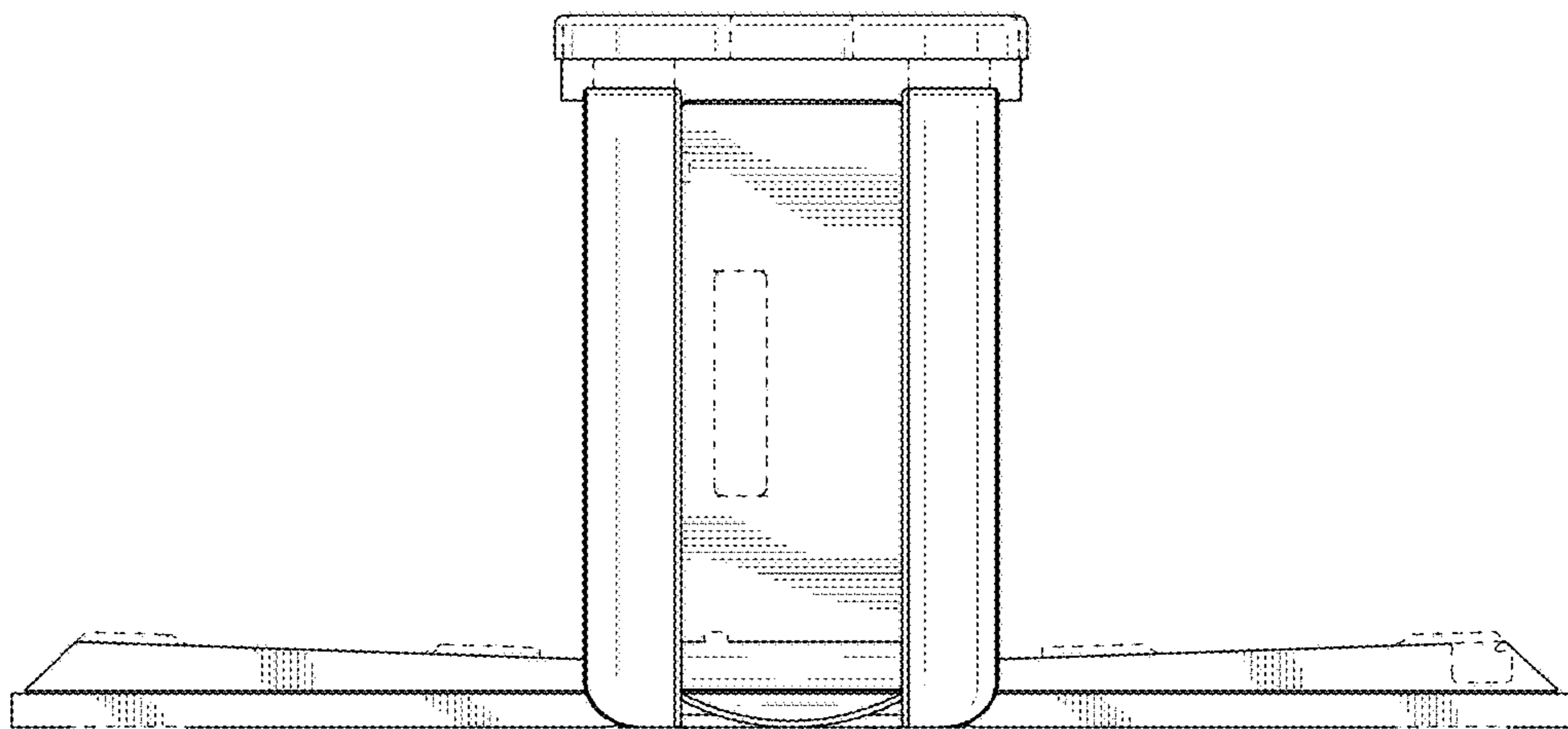


FIG. 5

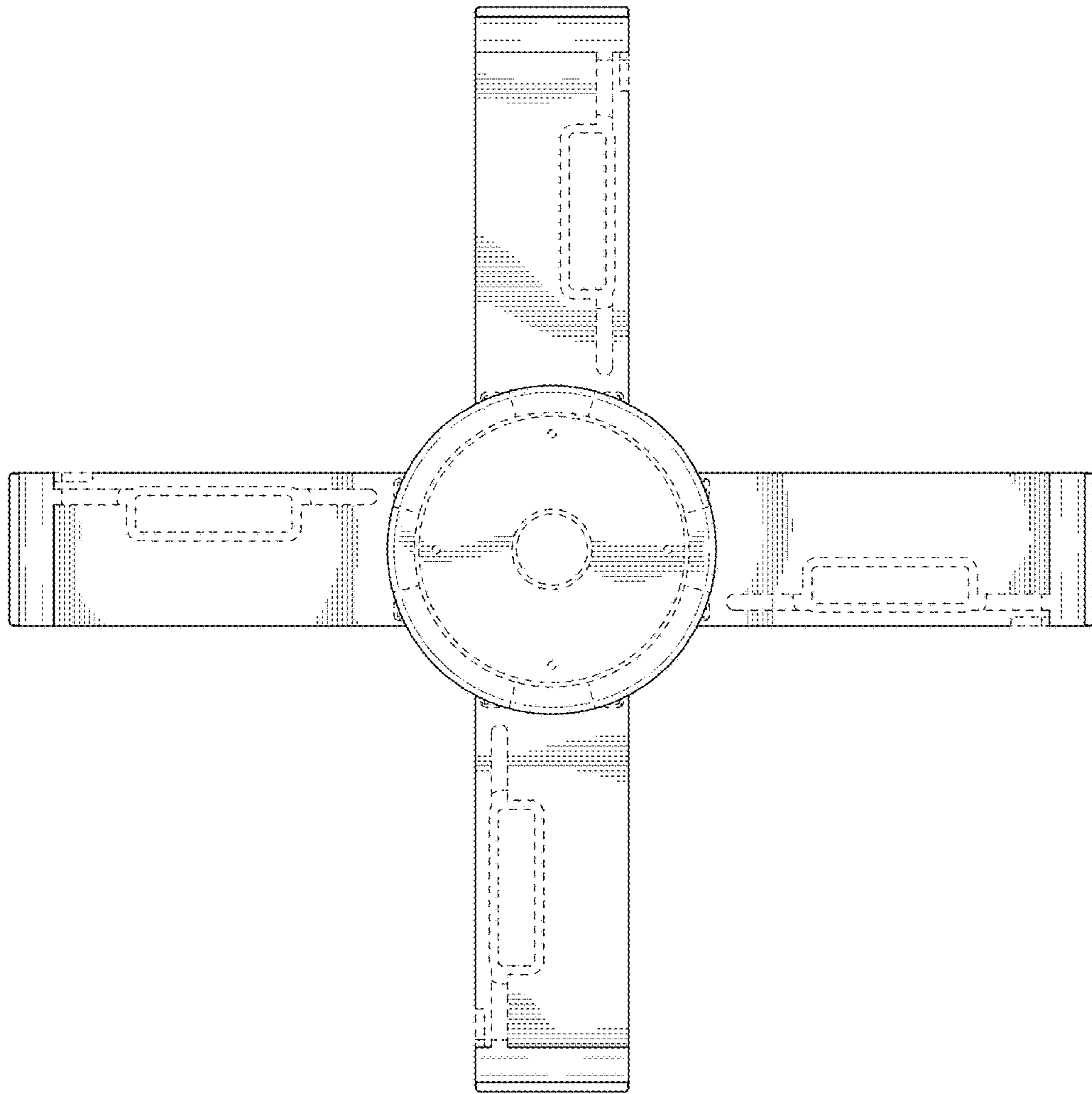


FIG. 6

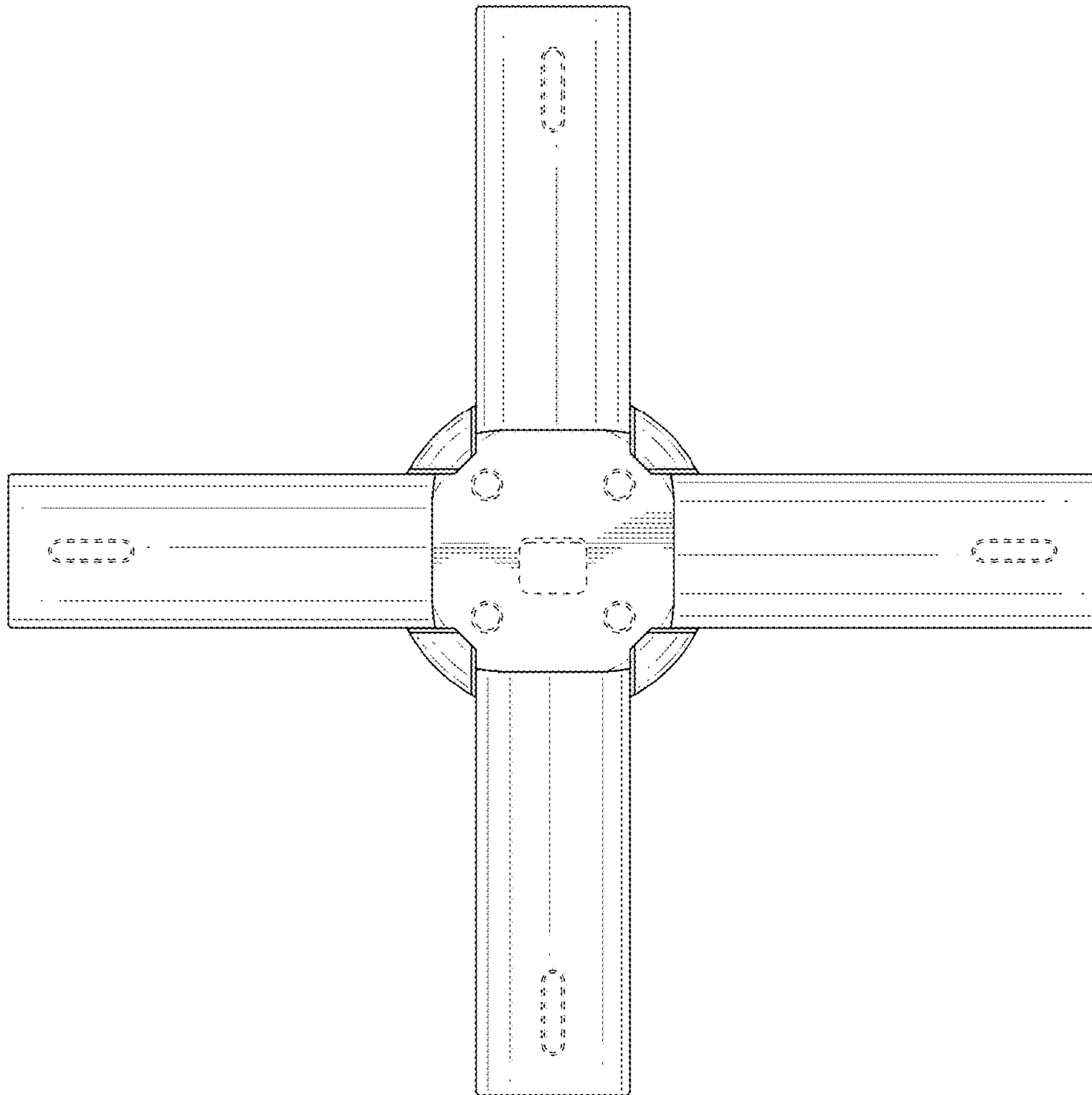


FIG. 7

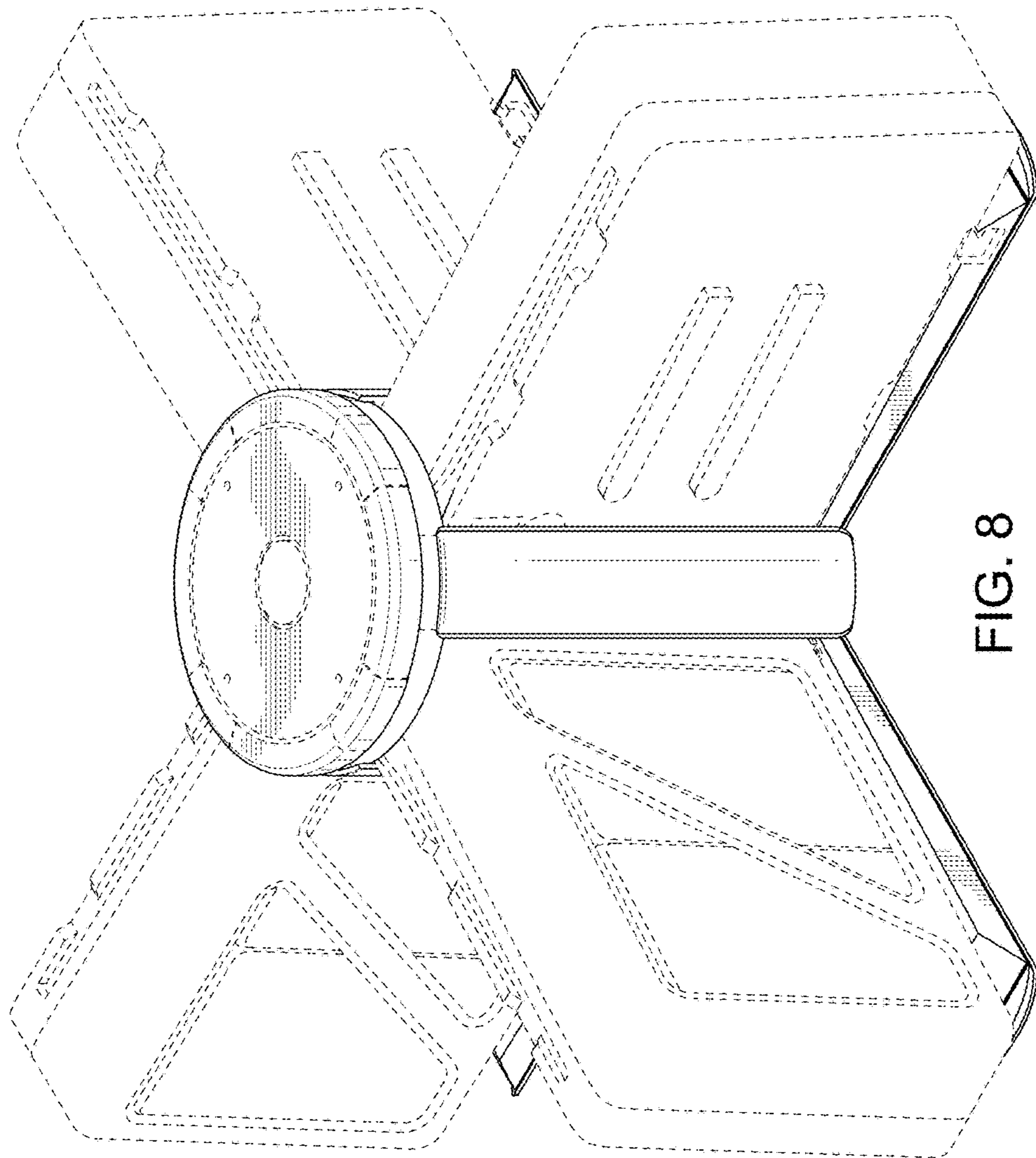


FIG. 8