



US00D851580S

(12) **United States Design Patent**  
**Sakamoto et al.**

(10) **Patent No.:** **US D851,580 S**  
(45) **Date of Patent:** **\*\* Jun. 18, 2019**

(54) **AUTOMOBILE TIRE**

D728,457 S \* 5/2015 Reim ..... D12/580  
D788,026 S \* 5/2017 Lundgren ..... D12/605  
D805,024 S \* 12/2017 Lo ..... D12/579

(71) Applicant: **The Yokohama Rubber Co., Ltd.**,  
Minato-ku, Tokyo (JP)

(72) Inventors: **Yosuke Sakamoto**, Hiratsuka (JP);  
**Noboru Kuwahara**, Tokyo (JP)

(73) Assignee: **The Yokohama Rubber Co., Ltd.** (JP)

(\*\*) Term: **15 Years**

(21) Appl. No.: **29/611,179**

(22) Filed: **Jul. 19, 2017**

(30) **Foreign Application Priority Data**

Jan. 20, 2017 (JP) ..... 2017-000898

(51) **LOC (11) Cl.** ..... **12-15**

(52) **U.S. Cl.**  
USPC ..... **D12/604**

(58) **Field of Classification Search**  
USPC ..... D12/579, 600, 602, 604, 605  
CPC ..... B60C 11/032; B60C 11/0388  
See application file for complete search history.

(56) **References Cited**

**U.S. PATENT DOCUMENTS**

D414,727 S \* 10/1999 Brown ..... D12/579  
D498,208 S \* 11/2004 Cazin-Bourguignon .... D12/600  
D520,939 S \* 5/2006 Allen ..... D12/600  
D653,200 S \* 1/2012 Kuwano ..... D12/605

**OTHER PUBLICATIONS**

Design U.S. Appl. No. 29/611,177, by Sakamoto et al., filed Jul. 17, 2017.

Design U.S. Appl. No. 29/611,190, by Sakamoto et al., filed Jul. 17, 2017.

\* cited by examiner

*Primary Examiner* — Robert M. Spear

(74) *Attorney, Agent, or Firm* — RatnerPrestia

(57) **CLAIM**

The ornamental design for an automobile tire, as shown and described.

**DESCRIPTION**

FIG. 1 is a perspective view of an automobile tire showing our new design;

FIG. 2 is a front view thereof;

FIG. 3 is a rear view thereof;

FIG. 4 is a top plan view thereof;

FIG. 5 is a bottom plan views thereof;

FIG. 6 is a left side view thereof;

FIG. 7 is a right side view thereof; and,

FIG. 8 is an enlarged fragmental perspective view taken along lines 8-8 in FIG. 1.

The dashed broken lines in the drawings are for the purpose of illustrating unclaimed portions of the tire and form no part of the claimed design.

**1 Claim, 6 Drawing Sheets**

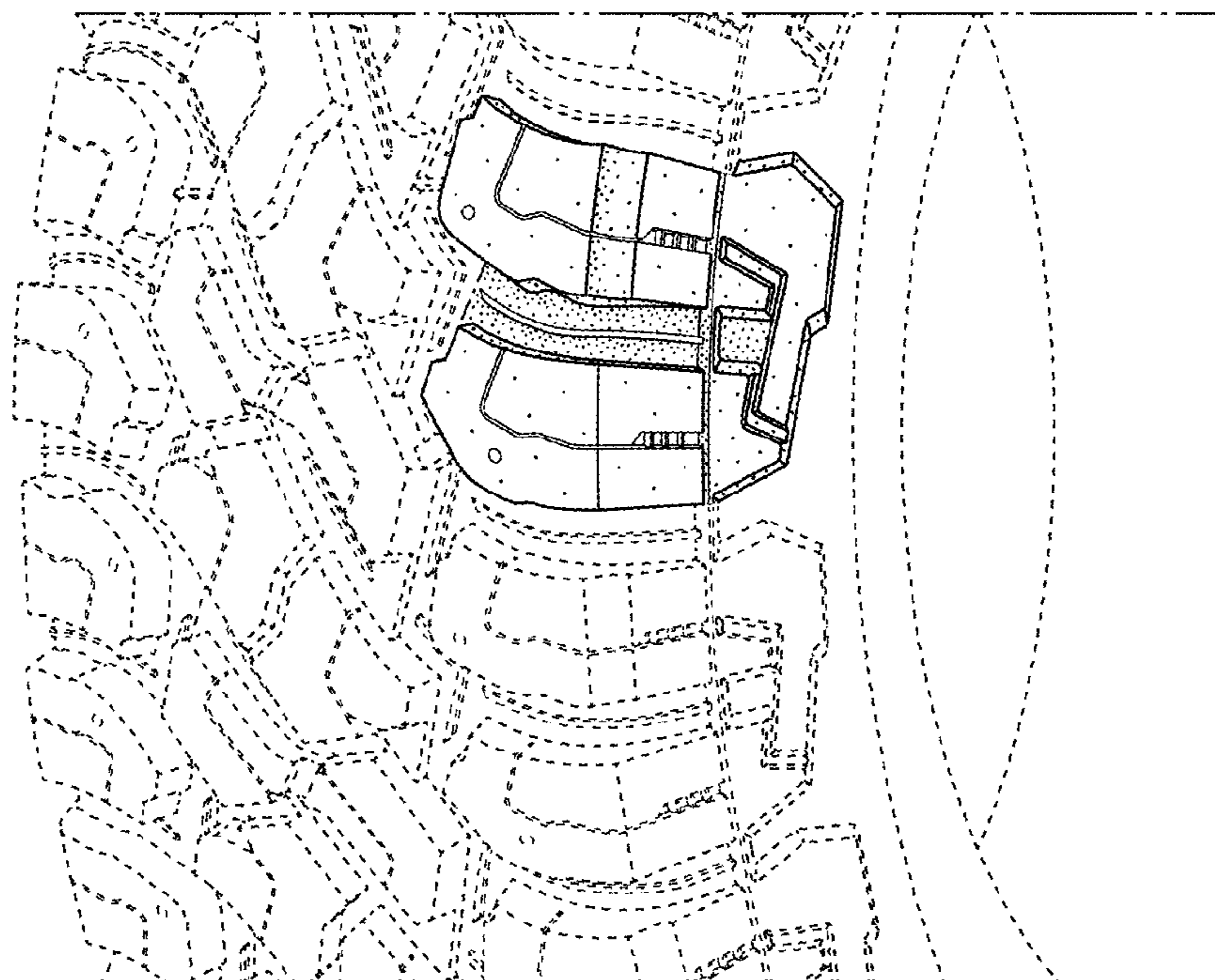


FIG. 1

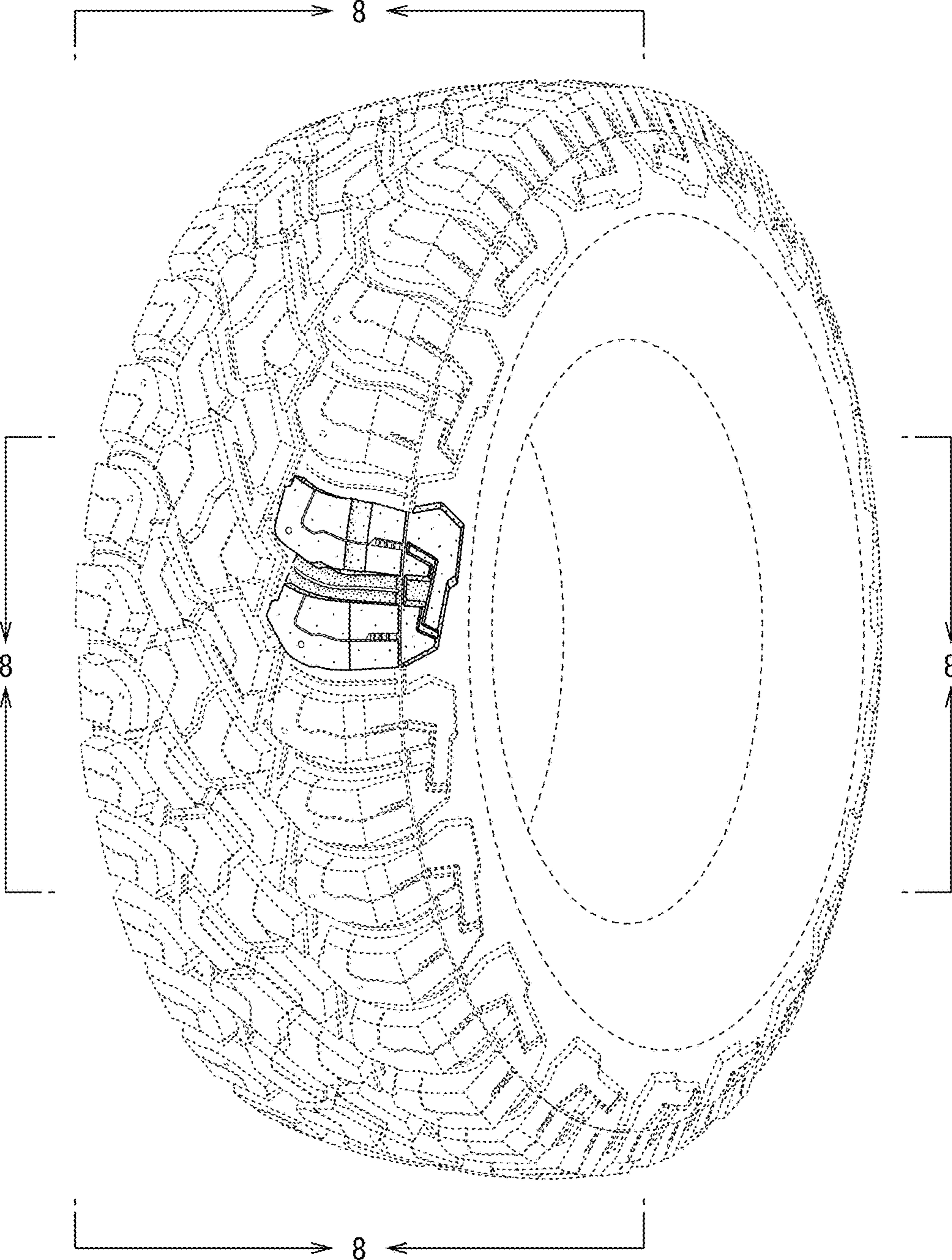


FIG. 2

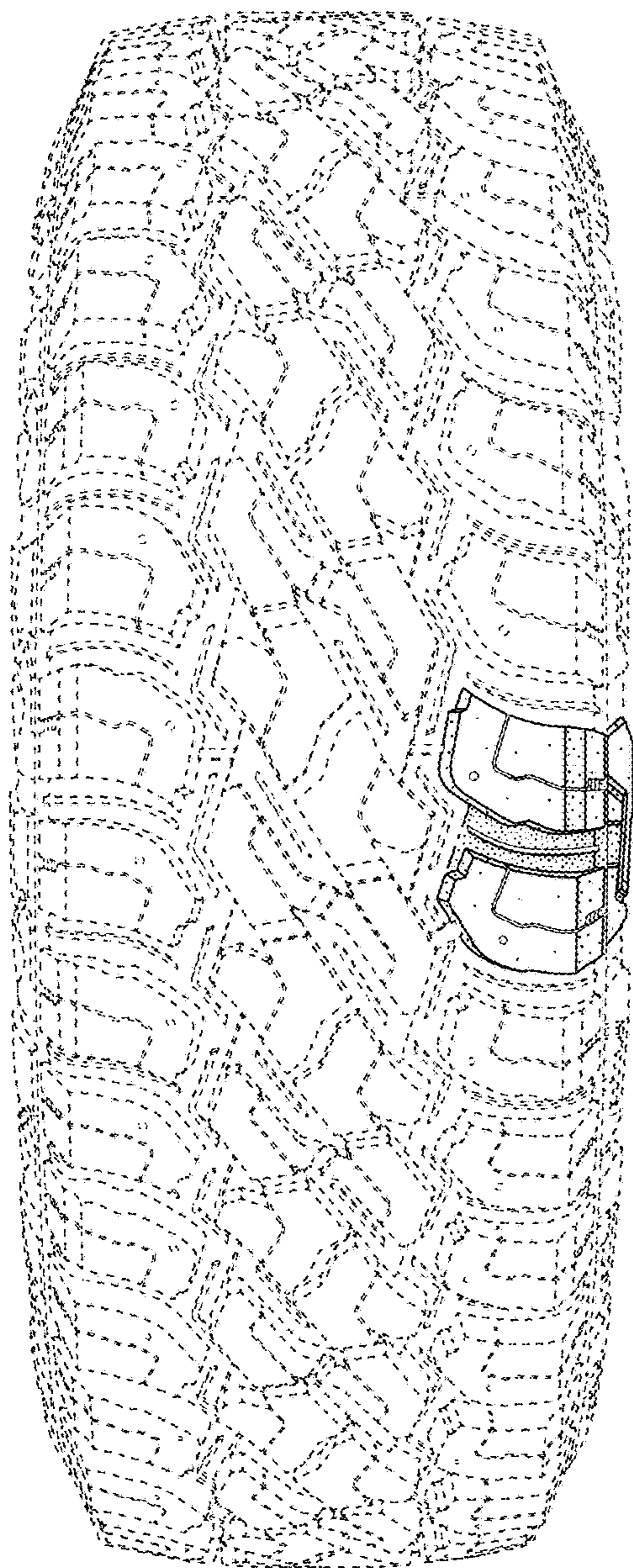


FIG. 3

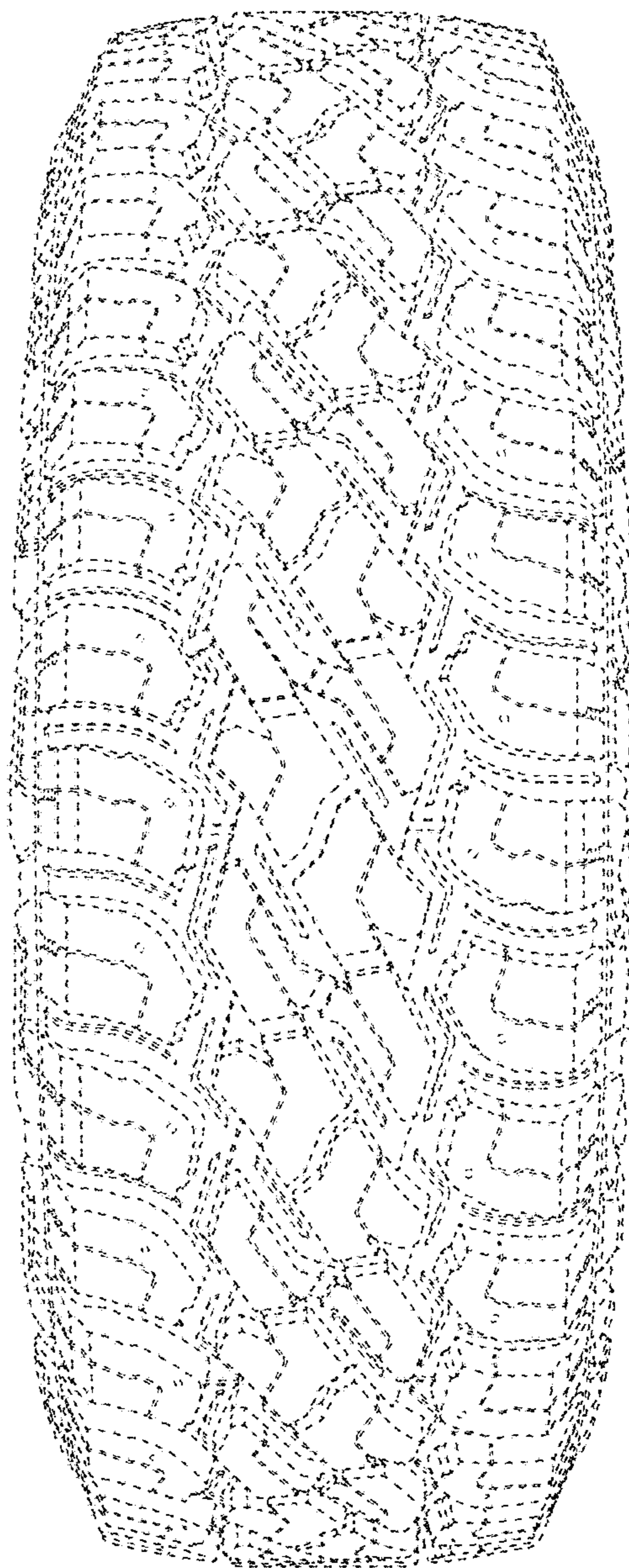


FIG. 4

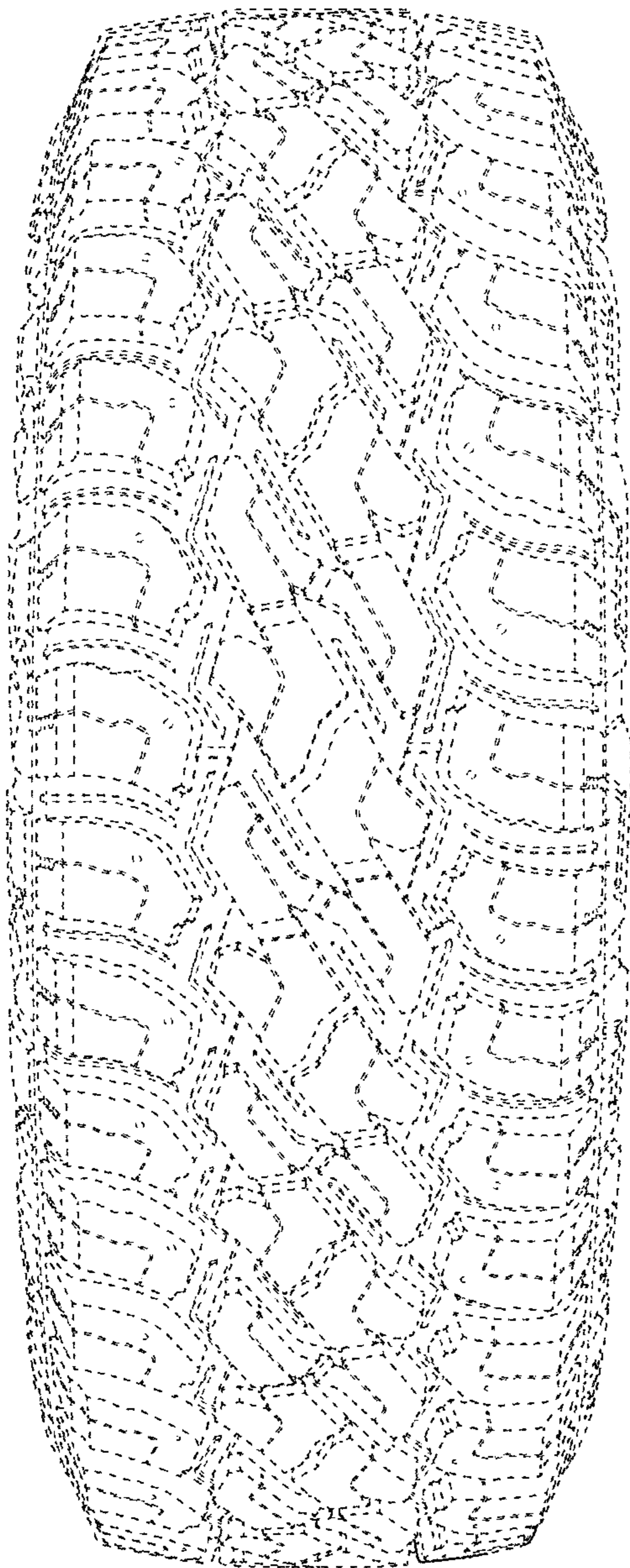


FIG. 5

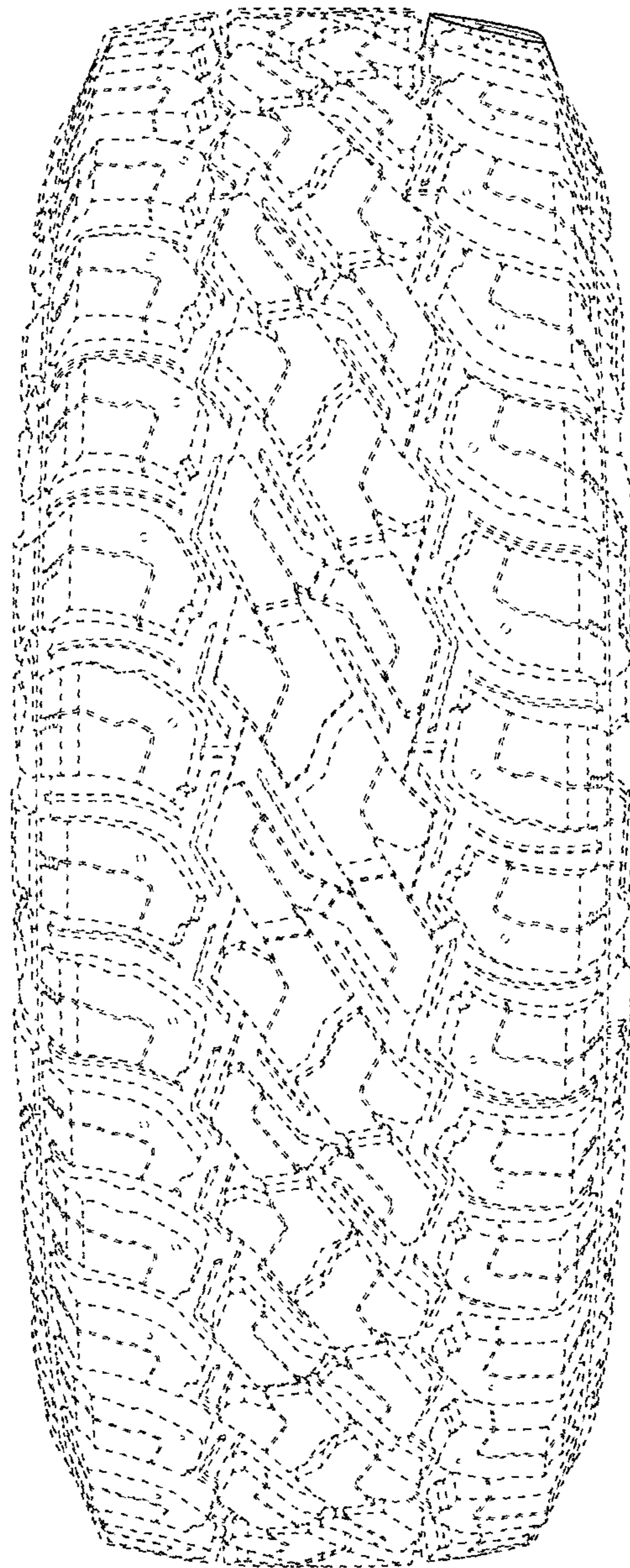


FIG. 6

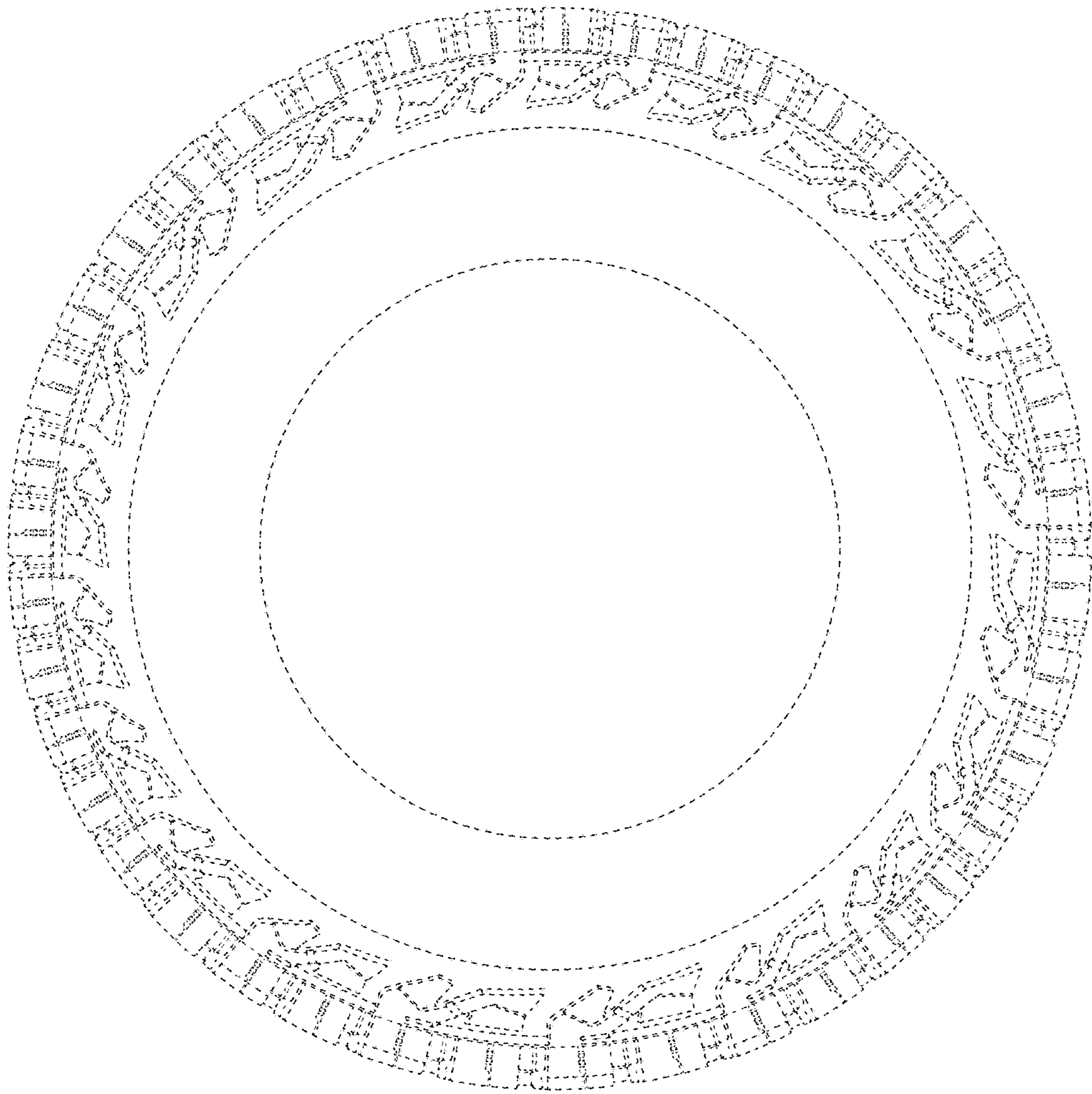


FIG. 7

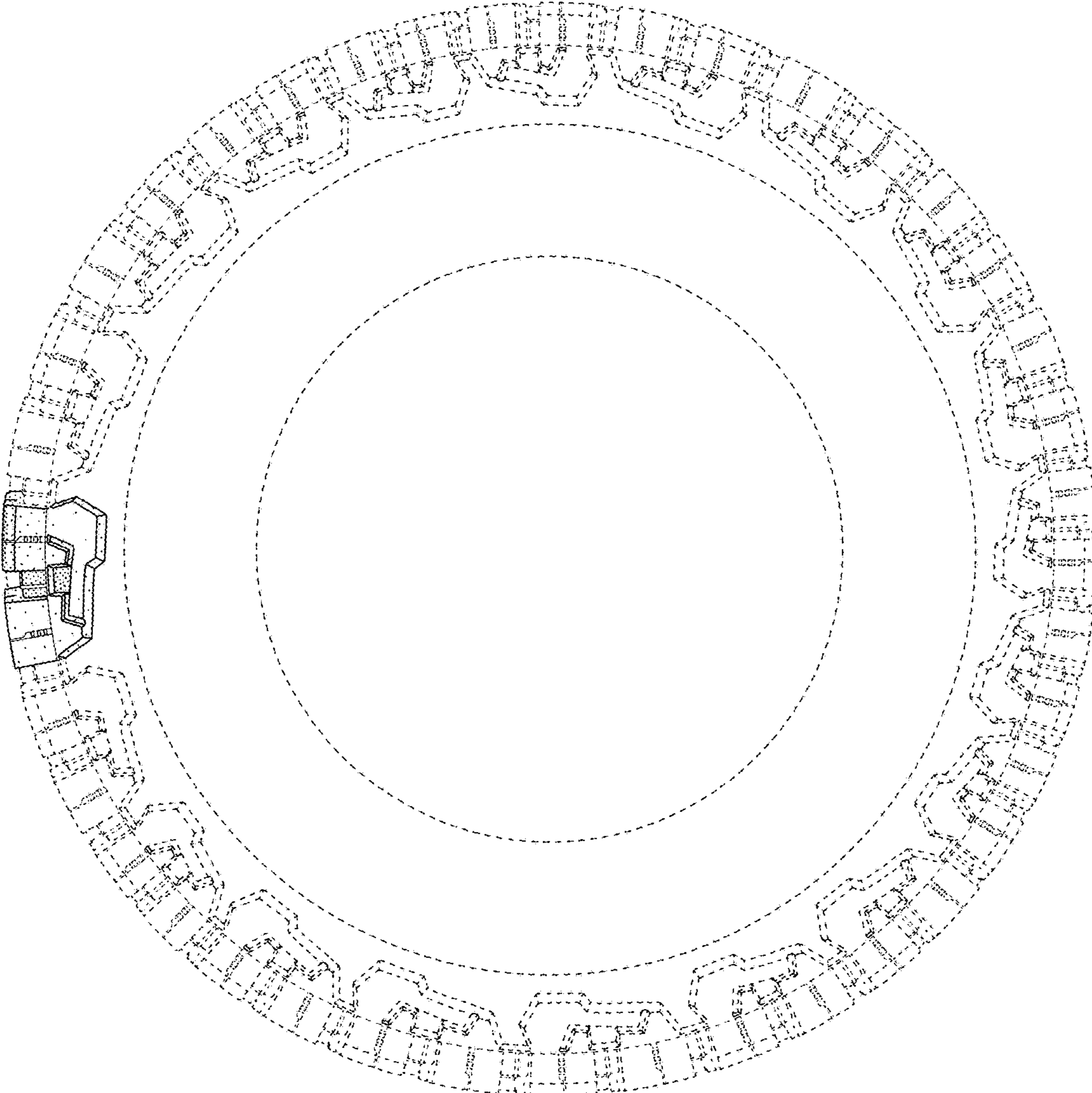


FIG. 8

