



US00D851578S

(12) **United States Design Patent**  
**Geng et al.**

(10) **Patent No.:** **US D851,578 S**

(45) **Date of Patent:** **\*\* Jun. 18, 2019**

(54) **GOLF TIRE**

(56) **References Cited**

(71) Applicant: **HEBEI WANDA TYRE CO., LTD,**  
Xingtai (CN)  
(72) Inventors: **Peng Geng,** Xingtai (CN); **Xingya Liu,**  
Xingtai (CN); **Chuangye Yu,** Xingtai  
(CN); **Longcheng Dang,** Xingtai (CN)  
(73) Assignee: **HEBEI WANDA TYRE CO., LTD,**  
Xingtai (CN)

U.S. PATENT DOCUMENTS

D225,913 S *	1/1973	Tantakabayashi .....	D12/600
D405,402 S *	2/1999	Brown, IV .....	D12/599
D609,173 S *	2/2010	Buchinger-Barnstorf ...	D12/599
D675,152 S *	1/2013	Yokomakura .....	D12/578
D717,726 S *	11/2014	Buchinger-Barnstorf ...	D12/599
D746,221 S *	12/2015	Tian .....	D12/588
D775,065 S *	12/2016	Hanlon .....	D12/579
D775,066 S *	12/2016	Sullivan .....	D12/579
D777,651 S *	1/2017	Gallego .....	D12/568

(\*\*) Term: **15 Years**

\* cited by examiner

(21) Appl. No.: **29/627,469**

*Primary Examiner* — Karen E Kearney

(22) Filed: **Nov. 28, 2017**

*Assistant Examiner* — John A Voytek

(30) **Foreign Application Priority Data**

(74) *Attorney, Agent, or Firm* — Gokalp Bayramoglu

Jul. 20, 2017 (CN) ..... 2017 3 0322887

(51) **LOC (11) Cl.** ..... **12-15**

(52) **U.S. Cl.**  
USPC ..... **D12/599**

(58) **Field of Classification Search**  
USPC ..... D12/568–604  
CPC ..... Y10T 152/10027; B60C 1/0016; B60C  
11/0306; B60C 11/0302; B60C 3/06;  
B60C 9/17

See application file for complete search history.

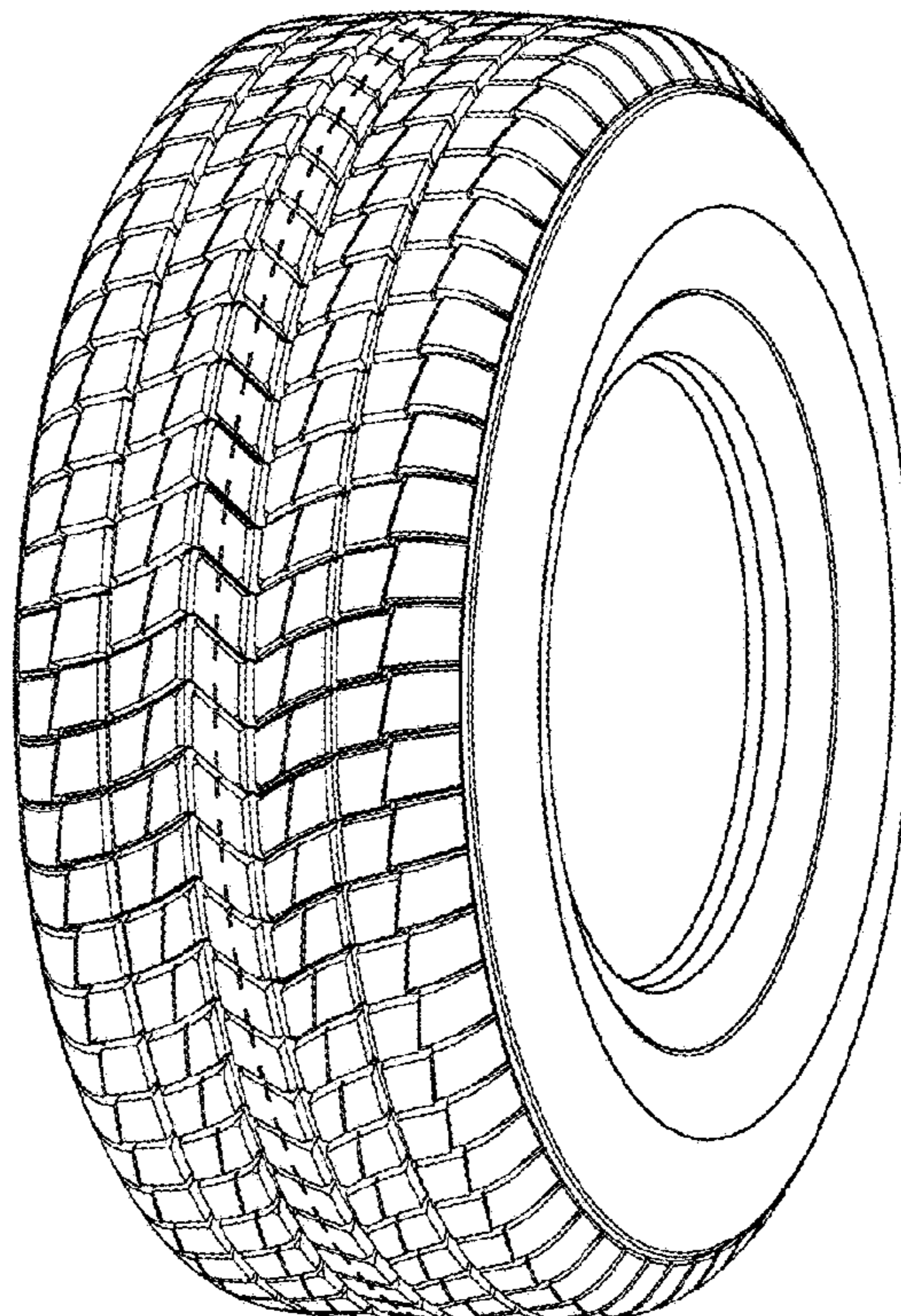
(57) **CLAIM**

The ornamental design for golf tire, as shown and described.

**DESCRIPTION**

FIG. 1 is a perspective view of golf tire, showing my new design;  
FIG. 2 is a left view of golf tire; and,  
FIG. 3 is a front view of golf tire.

**1 Claim, 3 Drawing Sheets**



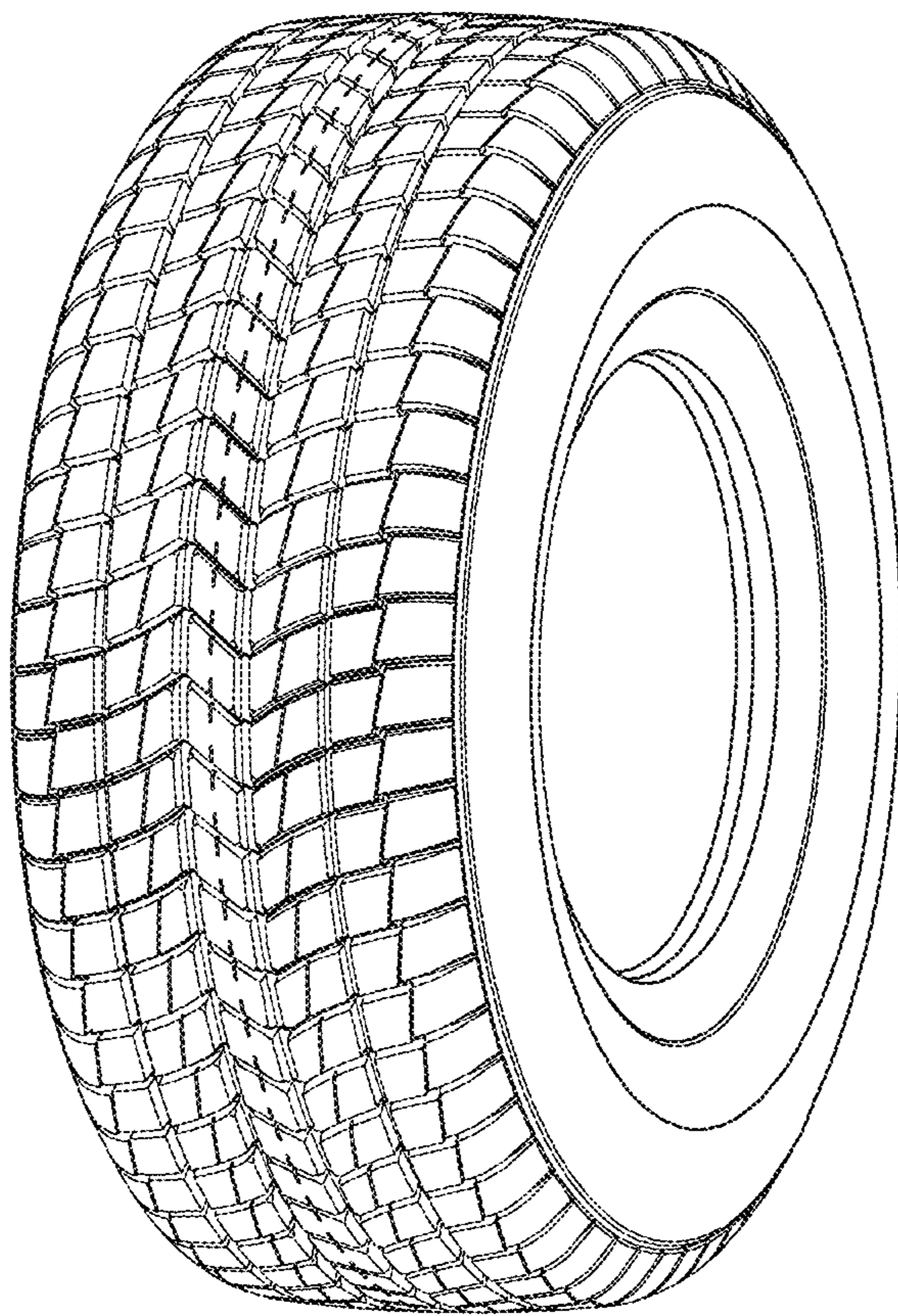


FIG. 1

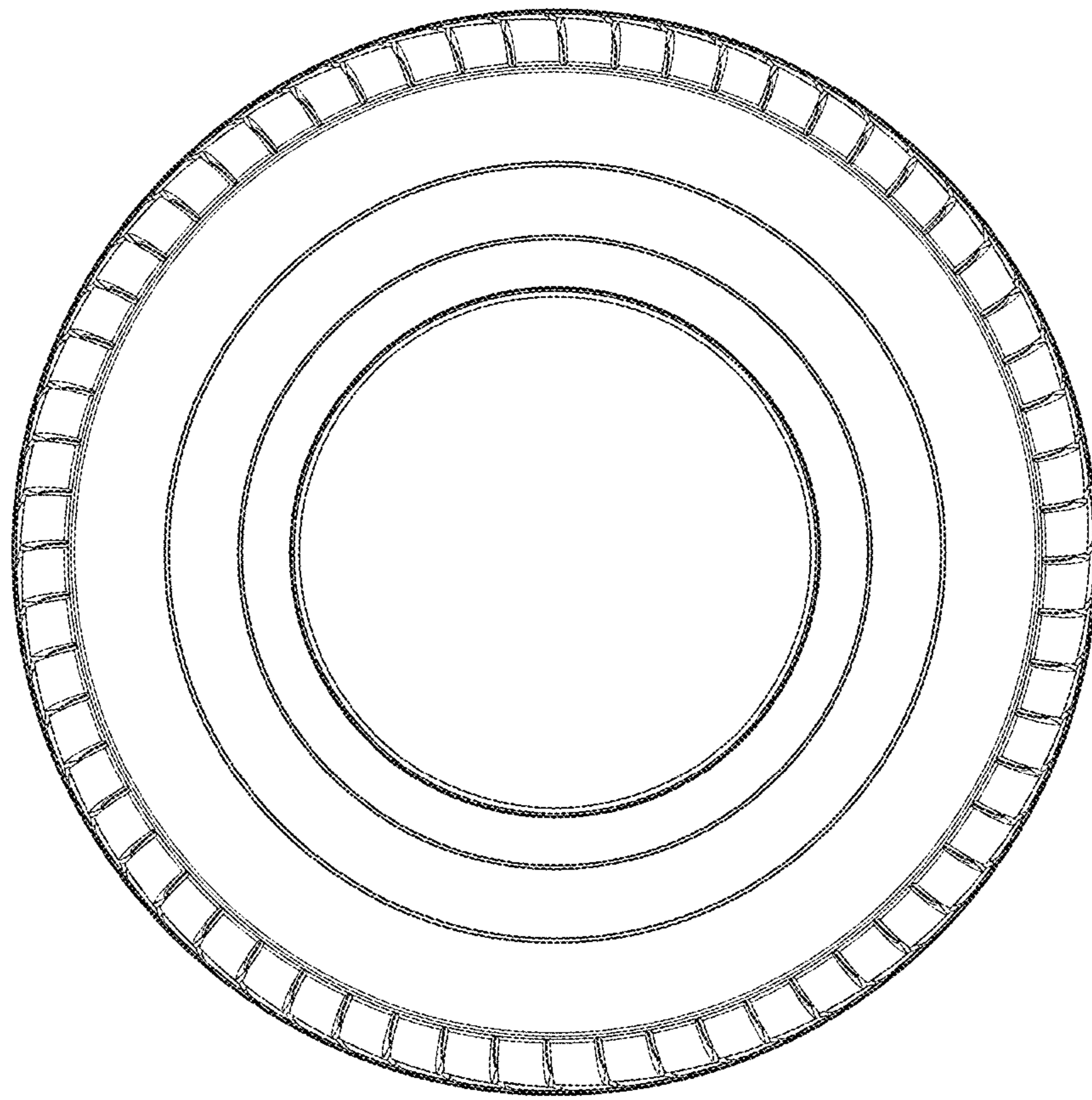


FIG. 2

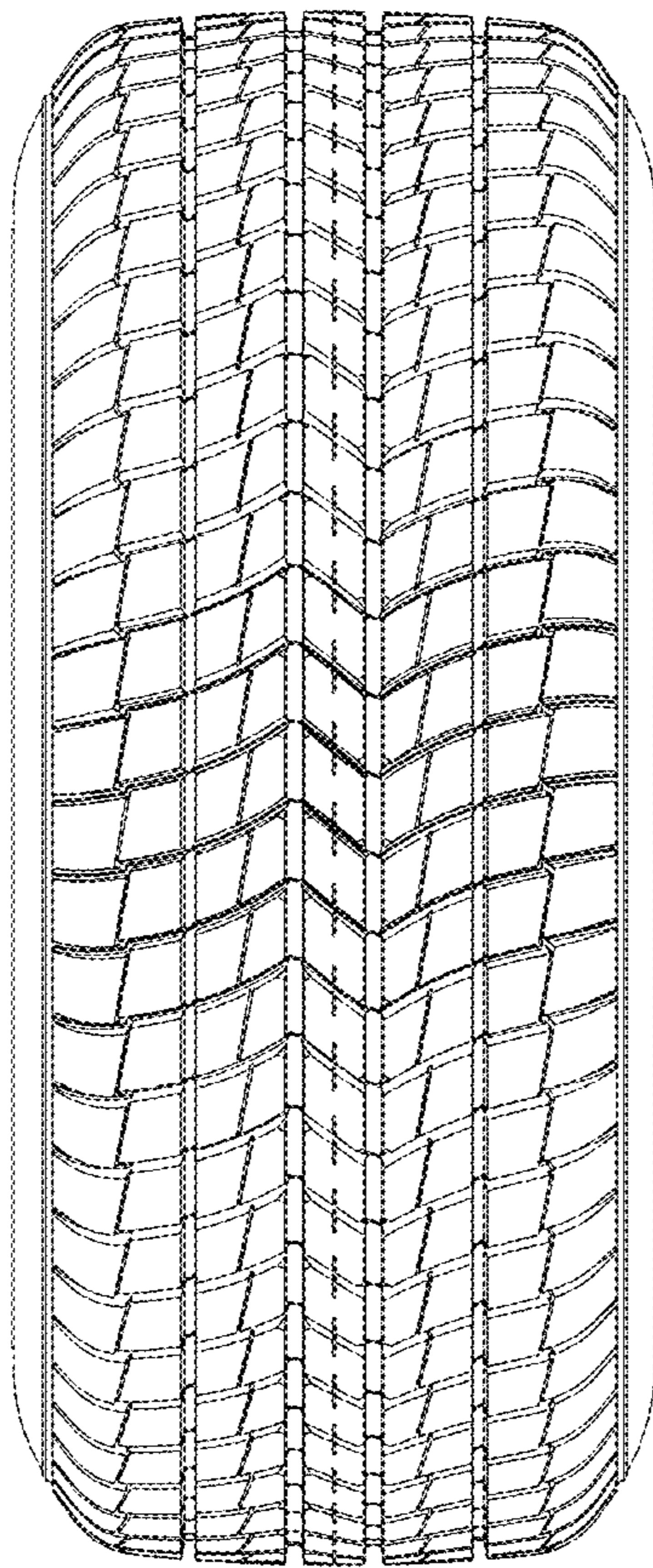


FIG. 3