



US00D851573S

(12) **United States Design Patent**
Oakes

(10) **Patent No.:** **US D851,573 S**
(45) **Date of Patent:** **** Jun. 18, 2019**

(54) **WINDSHIELD WITH PILLARS AND FORWARD ACCENT**

(71) Applicant: **Taylor Made Group, LLC**,
Gloversville, NY (US)

(72) Inventor: **Philip A. Oakes**, Middle Grove, NY
(US)

(73) Assignee: **TAYLOR MADE GROUP, LLC**,
Gloversville, NY (US)

(**) Term: **15 Years**

(21) Appl. No.: **29/644,345**

(22) Filed: **Apr. 17, 2018**

(51) **LOC (11) Cl.** **12-06**

(52) **U.S. Cl.**
USPC **D12/317**

(58) **Field of Classification Search**
USPC D12/182, 300, 310-315, 317, 318
CPC B63B 19/02; B60J 1/06
See application file for complete search history.

(56) **References Cited**

U.S. PATENT DOCUMENTS

3,810,267	A *	5/1974	Fussell, Jr.	B63B 19/02 114/361
D328,240	S	7/1992	Polski	
D331,560	S *	12/1992	Ivey	D12/181
5,203,277	A *	4/1993	Norman	B63B 19/02 114/361
5,309,860	A *	5/1994	Shearer	E05D 5/10 114/361
D348,040	S	6/1994	Shearer et al.	
D363,264	S	10/1995	Mullin	
5,601,050	A *	2/1997	Erskine	B63B 29/02 114/361
5,784,982	A *	7/1998	Erskine	B60J 1/06 114/361
D410,890	S	6/1999	Consaul	

D467,860	S	12/2002	Aube et al.	
6,647,914	B1 *	11/2003	Gerhardinger	B63B 19/02 114/361
D510,902	S *	10/2005	Erskine	D12/317
D555,070	S	11/2007	Bach	
D558,660	S	1/2008	Malcore et al.	
D569,782	S	5/2008	Bach	
D571,277	S	6/2008	Bach	
D571,706	S	6/2008	Bach	
D583,285	S	12/2008	Lapointe et al.	
D593,024	S	5/2009	Bach	
D598,837	S	8/2009	Wanglund	
D701,820	S	4/2014	Pierce et al.	
D723,438	S	3/2015	Ross et al.	
D775,028	S	12/2016	Bach	
D785,504	S	5/2017	Higgs	
9,688,363	B1 *	6/2017	Marshall	B63B 29/02

(Continued)

Primary Examiner — Cynthia M. Chin

(74) *Attorney, Agent, or Firm* — Nixon & Vanderhye P.C.

(57) **CLAIM**

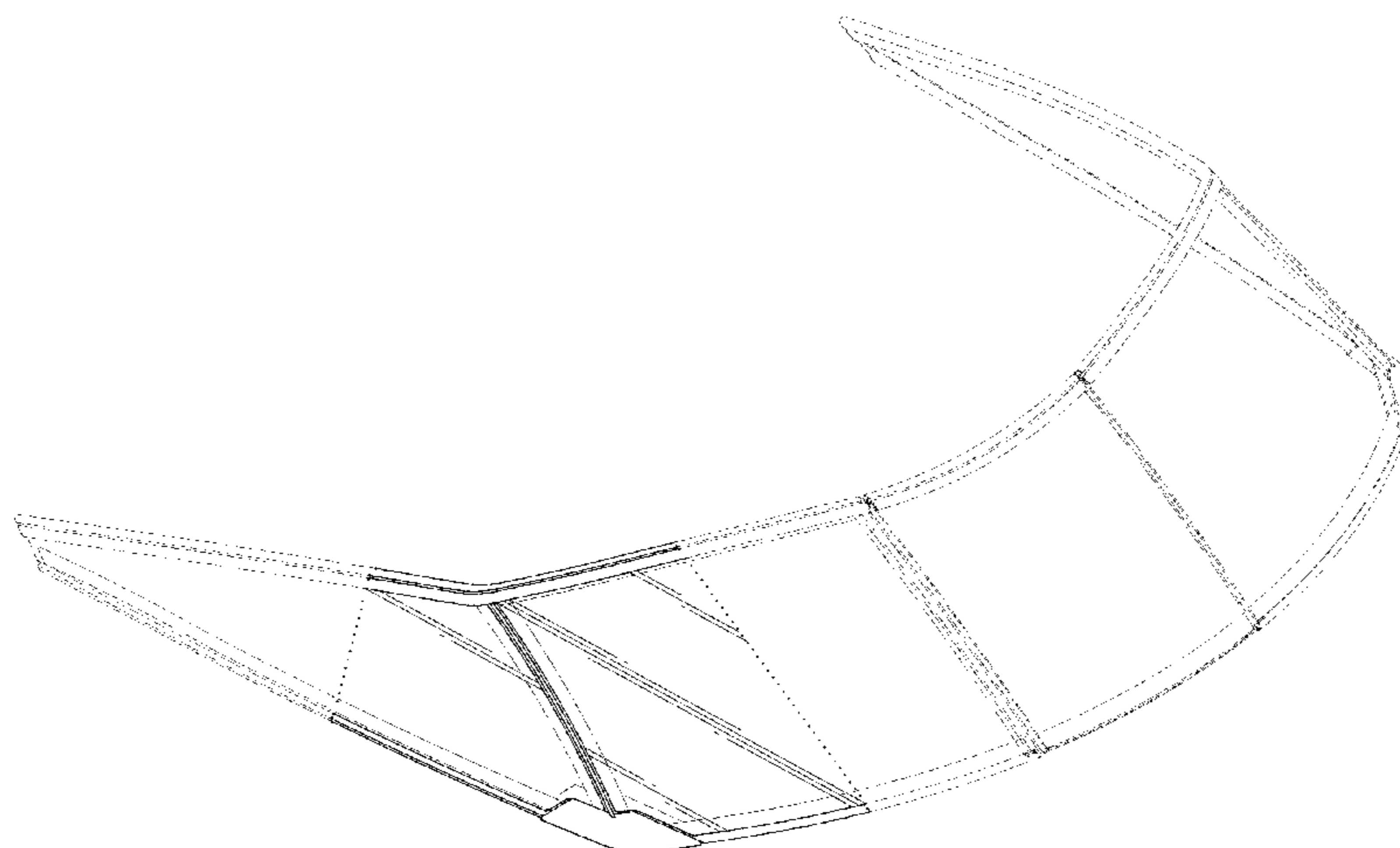
The ornamental design for a windshield with pillars and forward accent, as shown and described.

DESCRIPTION

FIG. 1 is a front perspective view of a windshield with pillars and forward accent according to the invention; FIG. 2 is a front view thereof; FIG. 3 is a rear view thereof; FIG. 4 is a top plan view thereof; FIG. 5 is a bottom view thereof; FIG. 6 is a side view thereof; and, FIG. 7 is a rear perspective view thereof.

The dotted lines represent the bounds of the claim which form no part of the claimed design. The dashed lines represent the environment in which the article resides and forms no part of the claimed design.

1 Claim, 7 Drawing Sheets



(56)

References Cited

U.S. PATENT DOCUMENTS

10,124,861 B2 * 11/2018 Dube B63B 19/02
D838,654 S * 1/2019 Daniels D12/317
2002/0184842 A1 * 12/2002 Norman B60J 1/02
52/204.53
2018/0072386 A1 * 3/2018 Dube B63B 19/02

* cited by examiner

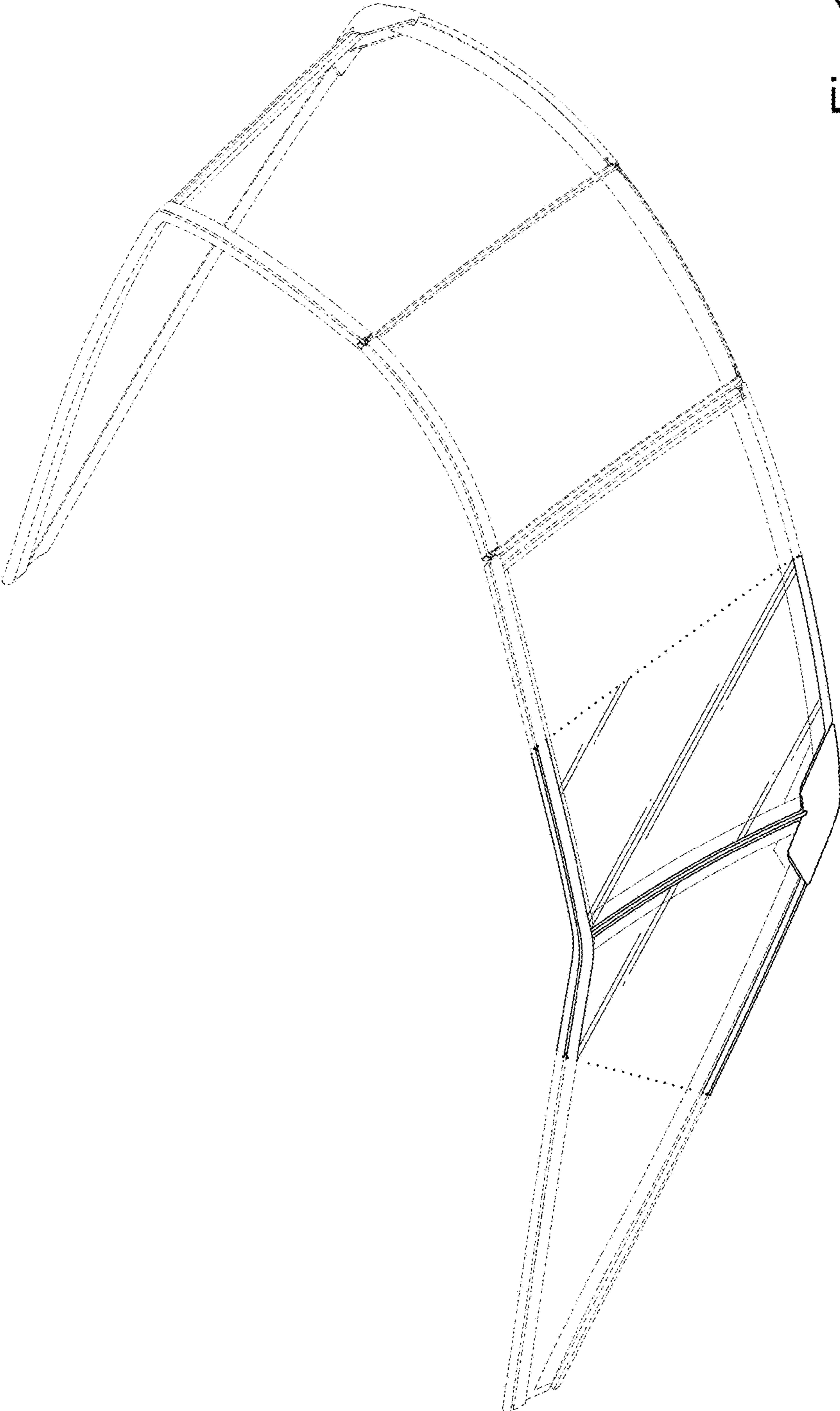


Fig. 1



Fig. 2

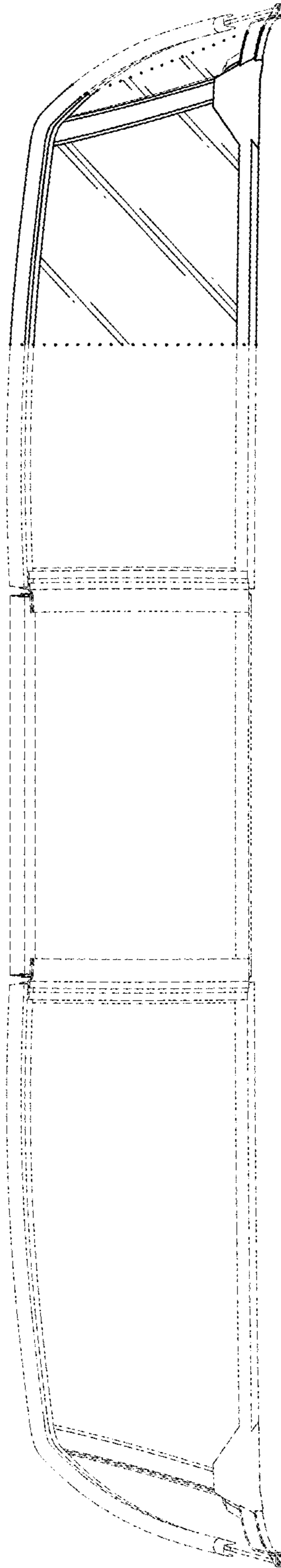


Fig. 3

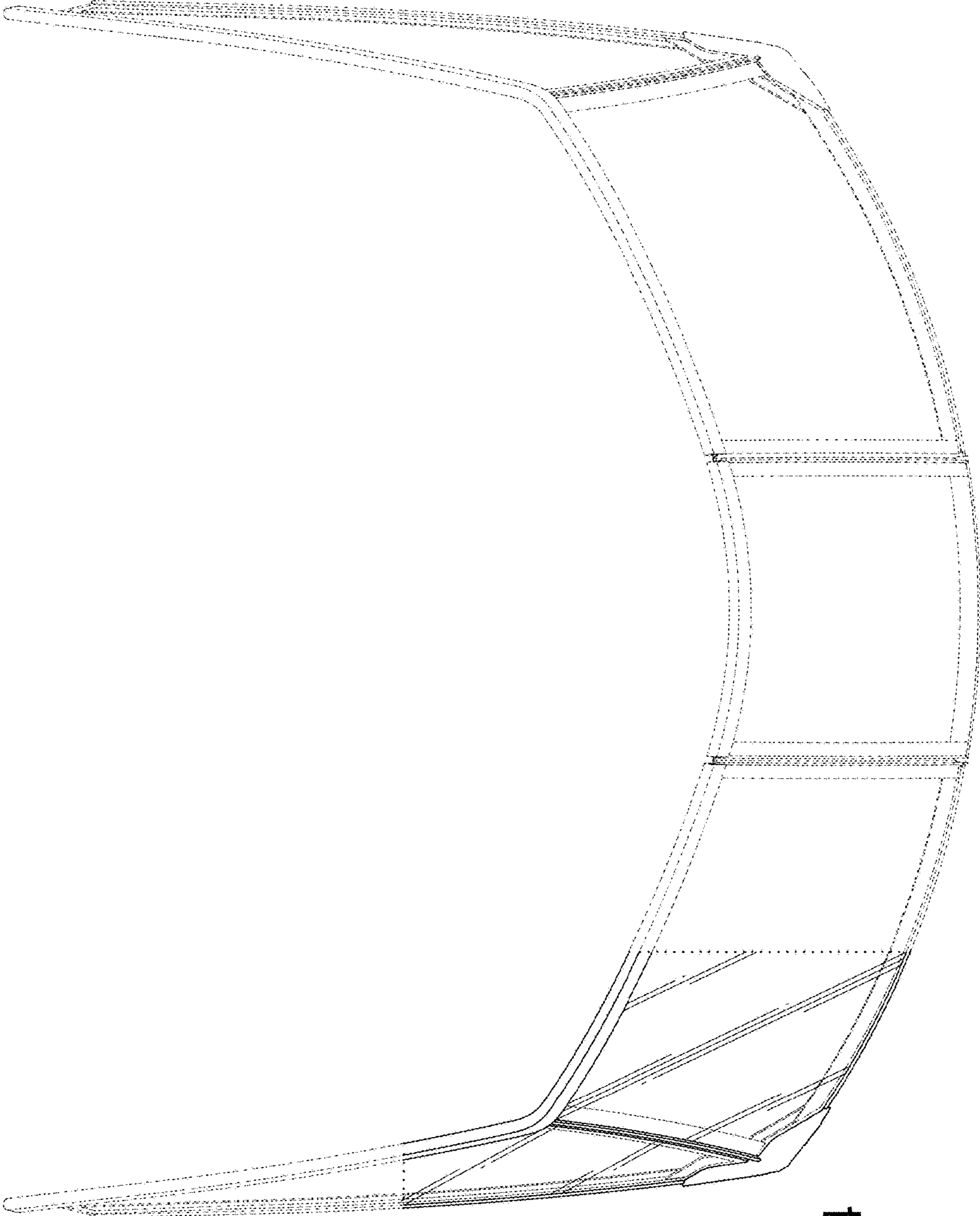


Fig. 4

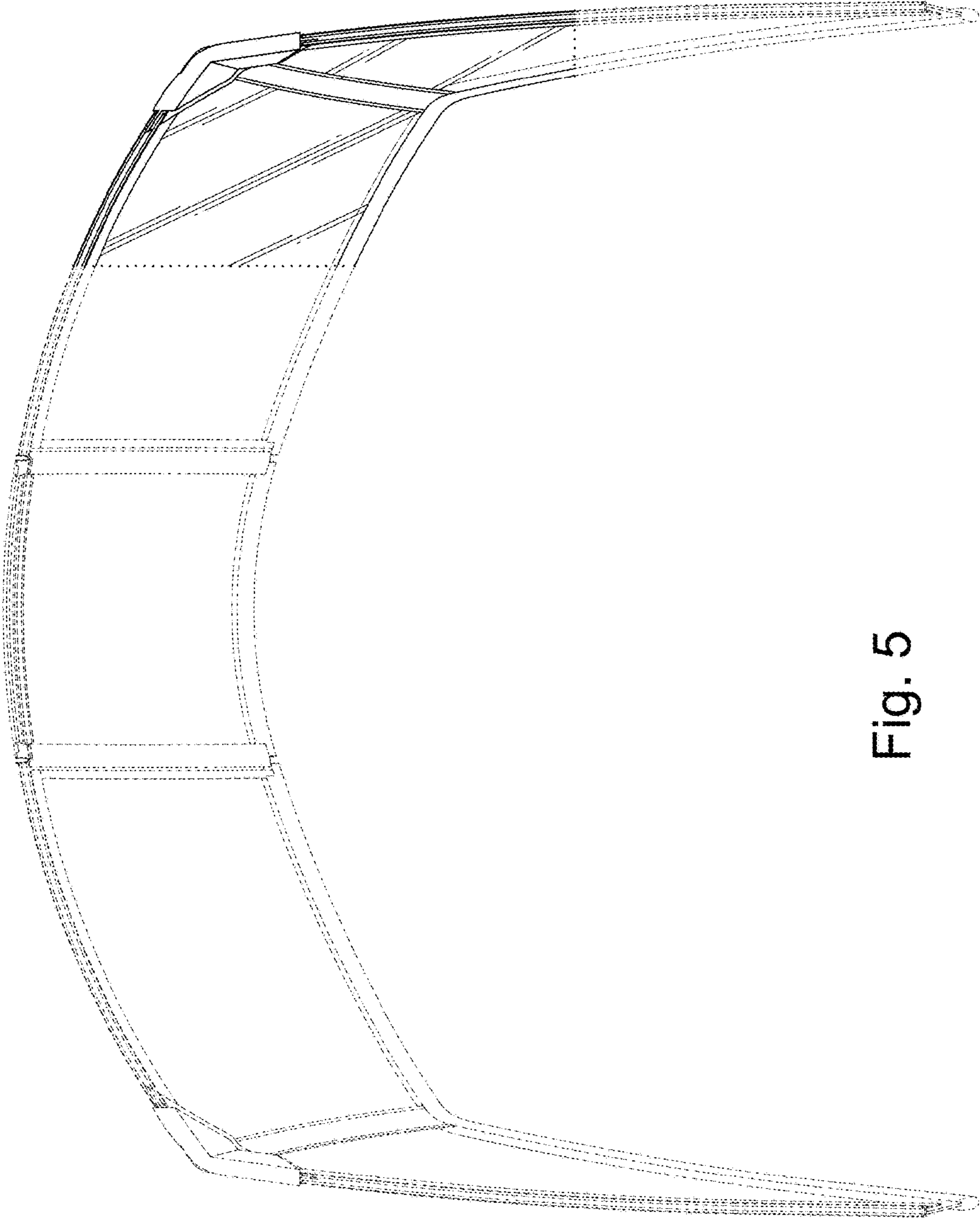


Fig. 5

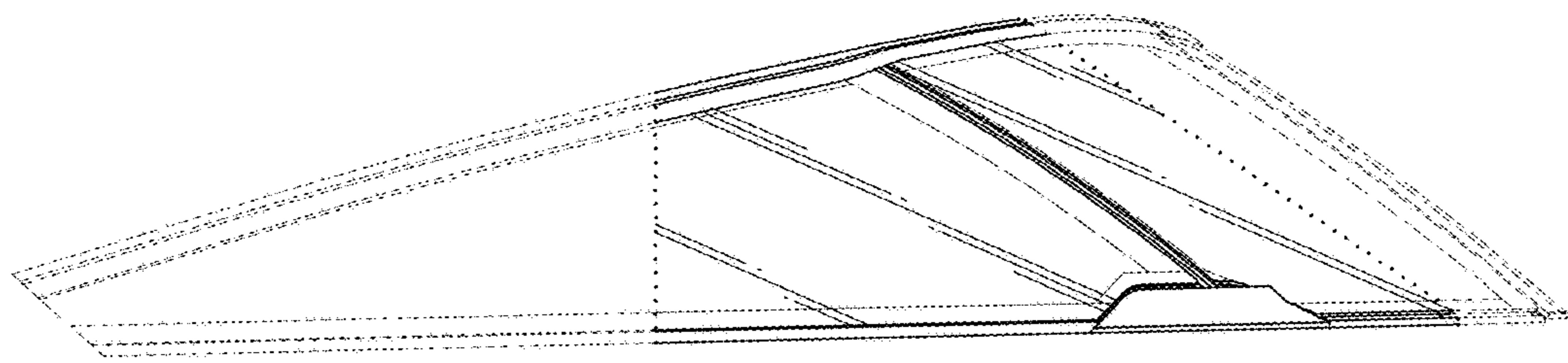


Fig. 6

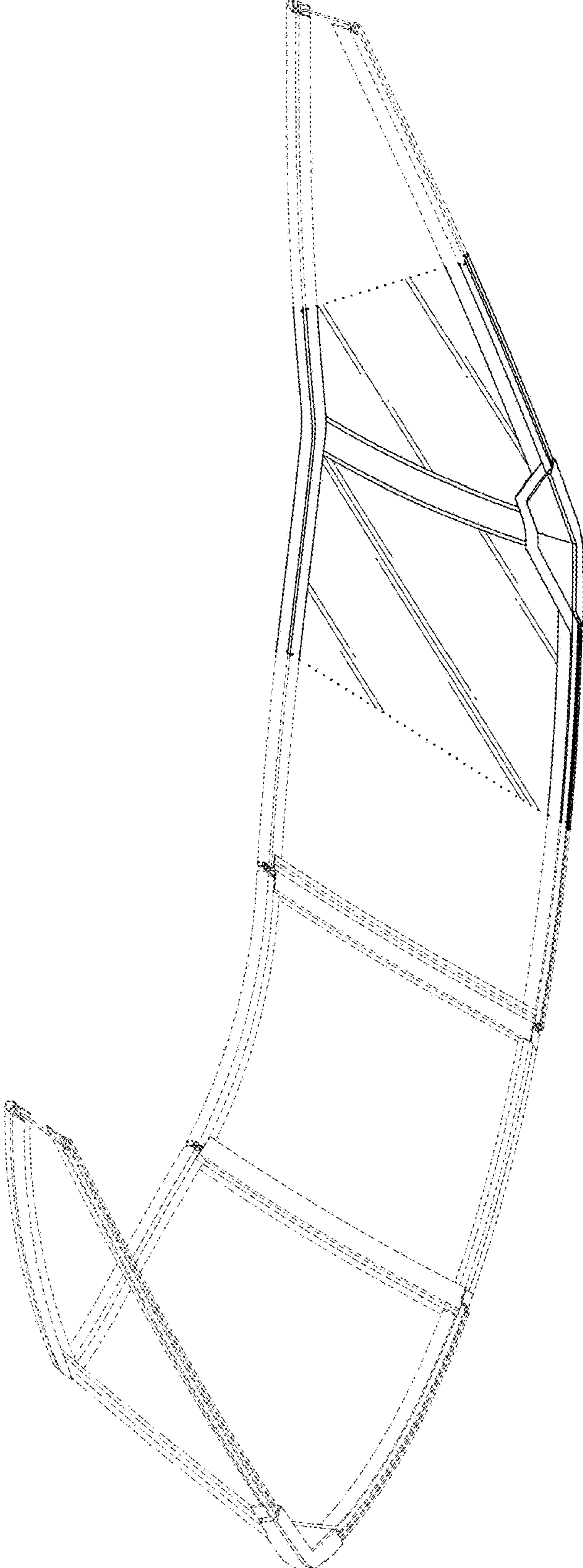


Fig. 7