



US00D851572S

(12) **United States Design Patent**  
**Kraemer**

(10) **Patent No.:** **US D851,572 S**  
(45) **Date of Patent:** **\*\* Jun. 18, 2019**

- (54) **WIPER BLADE**
- (71) Applicant: **Robert Bosch GmbH**, Stuttgart (DE)
- (72) Inventor: **Godelieve Kraemer**, Huegelsheim (DE)
- (73) Assignee: **Robert Bosch GmbH**, Stuttgart (DE)
- (\*\*) Term: **15 Years**
- (21) Appl. No.: **29/609,875**
- (22) Filed: **Jul. 6, 2017**

D784,242 S \* 4/2017 Lee ..... D12/220  
 D784,243 S \* 4/2017 Lee ..... D12/220  
 D809,989 S \* 2/2018 Lee ..... D12/220

\* cited by examiner

*Primary Examiner* — Katrina A Betton  
(74) *Attorney, Agent, or Firm* — Maginot, Moore & Beck LLP

(57) **CLAIM**

The ornamental design for a wiper blade, as shown and described.

**DESCRIPTION**

Cross reference is made to copending U.S. design patent application Ser. No. 29/609,870 entitled “Wiper Blade” by Godelieve Kraemer, which was filed on even date herewith; and U.S. design patent application Ser. No. 29/609,873 entitled “Wiper Blade” by Godelieve Kraemer, which was filed on even date herewith.

FIG. 1 is a perspective view of a wiper blade showing my new design;  
 FIG. 2 is a right side elevational view of the wiper blade of FIG. 1;  
 FIG. 3 is a left side elevational view of the wiper blade of FIG. 1;  
 FIG. 4 is a bottom plan view of the wiper blade of FIG. 1;  
 FIG. 5 is a top plan view of the wiper blade of FIG. 1;  
 FIG. 6 is a front elevational view of the wiper blade of FIG. 1; and,  
 FIG. 7 is a rear elevational view of the wiper blade of FIG. 1.

The broken lines shown in the drawings illustrate portions of the wiper blade that form no part of the claimed design.

**1 Claim, 7 Drawing Sheets**

(30) **Foreign Application Priority Data**

Jan. 30, 2017 (EM) ..... 003729110

(51) **LOC (11) Cl.** ..... **12-16**

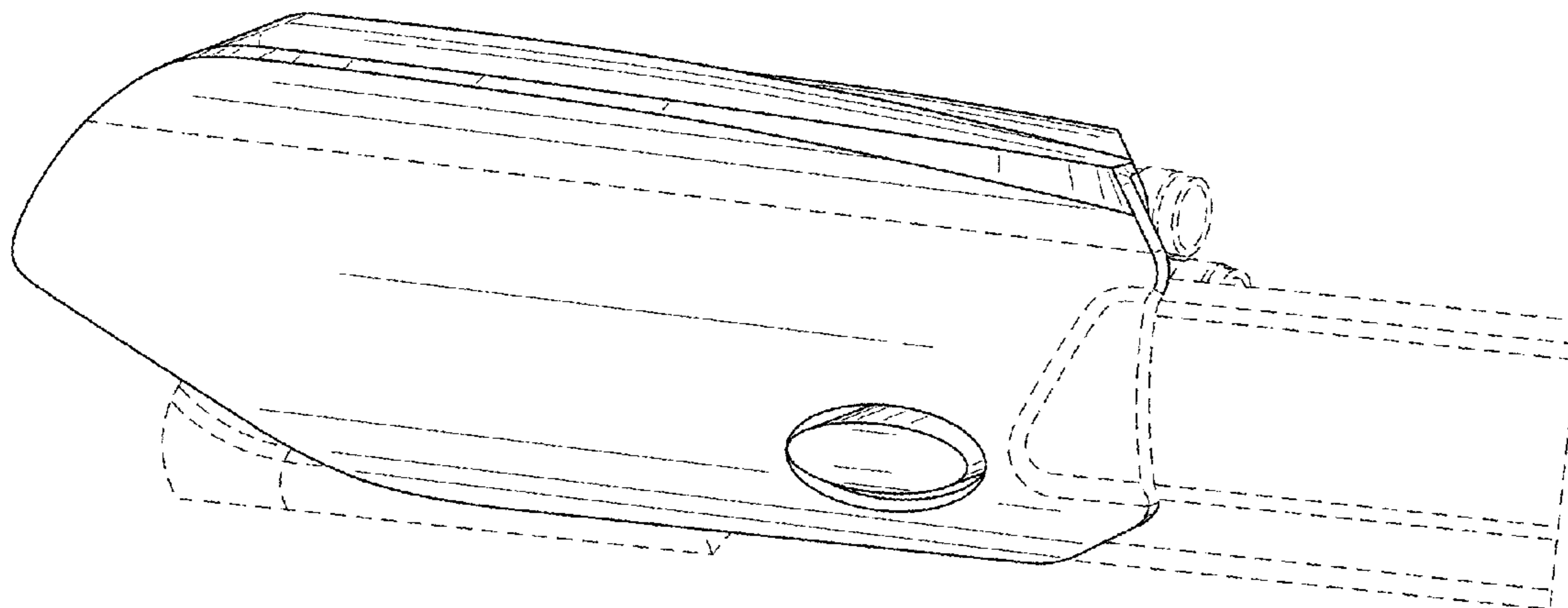
(52) **U.S. Cl.**  
USPC ..... **D12/219**

(58) **Field of Classification Search**  
USPC ..... D12/219–220  
CPC ..... B60S 1/4003  
See application file for complete search history.

(56) **References Cited**

**U.S. PATENT DOCUMENTS**

D725,021 S \* 3/2015 Poton ..... D12/220  
 D725,022 S \* 3/2015 Poton ..... D12/220  
 D725,023 S \* 3/2015 Poton ..... D12/220  
 D725,024 S \* 3/2015 Poton ..... D12/220  
 D725,025 S \* 3/2015 Poton ..... D12/220  
 D725,026 S \* 3/2015 Poton ..... D12/220  
 D727,238 S \* 4/2015 Lepper ..... D12/220



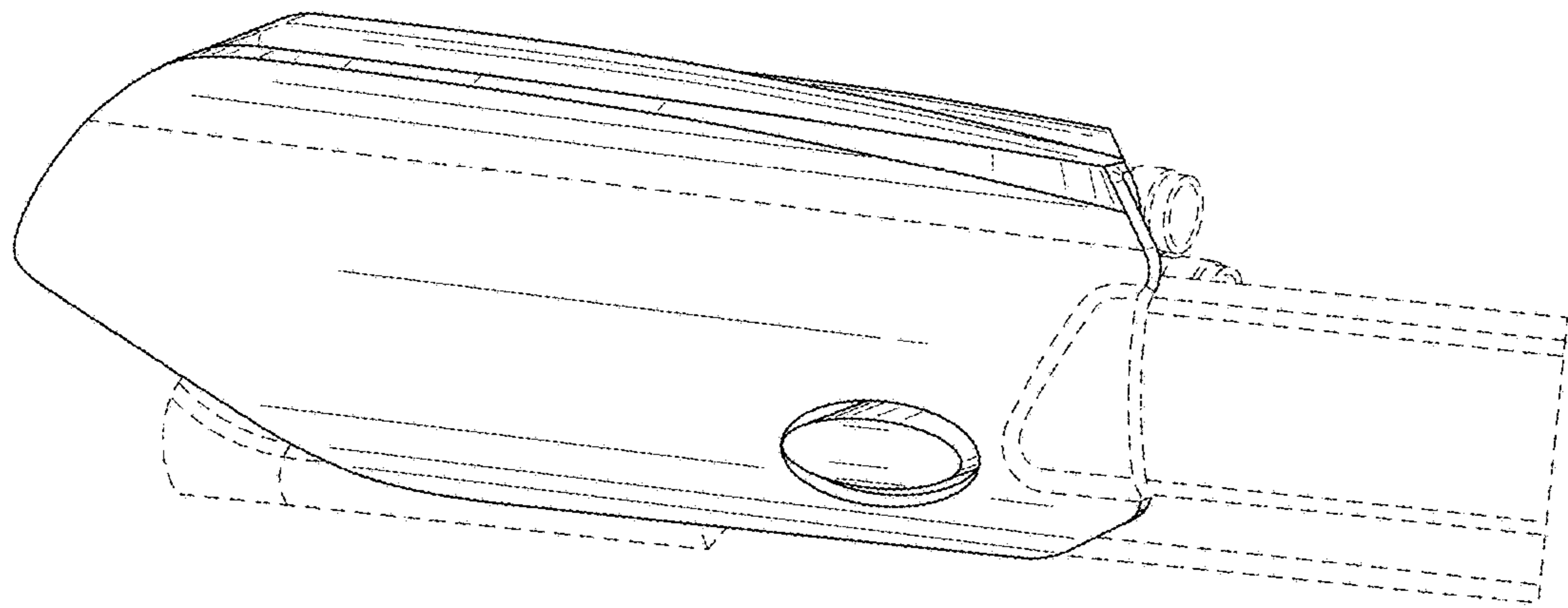
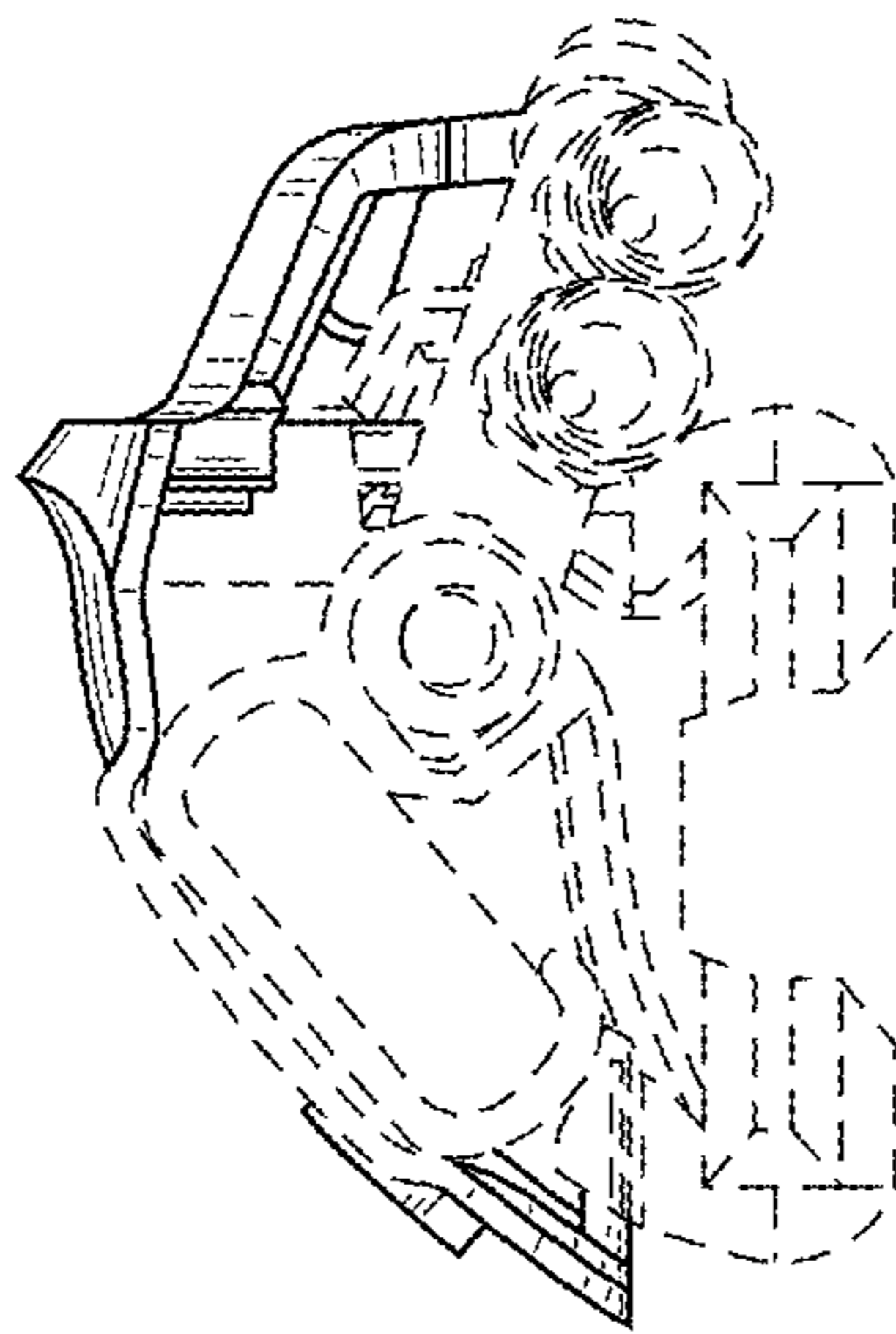
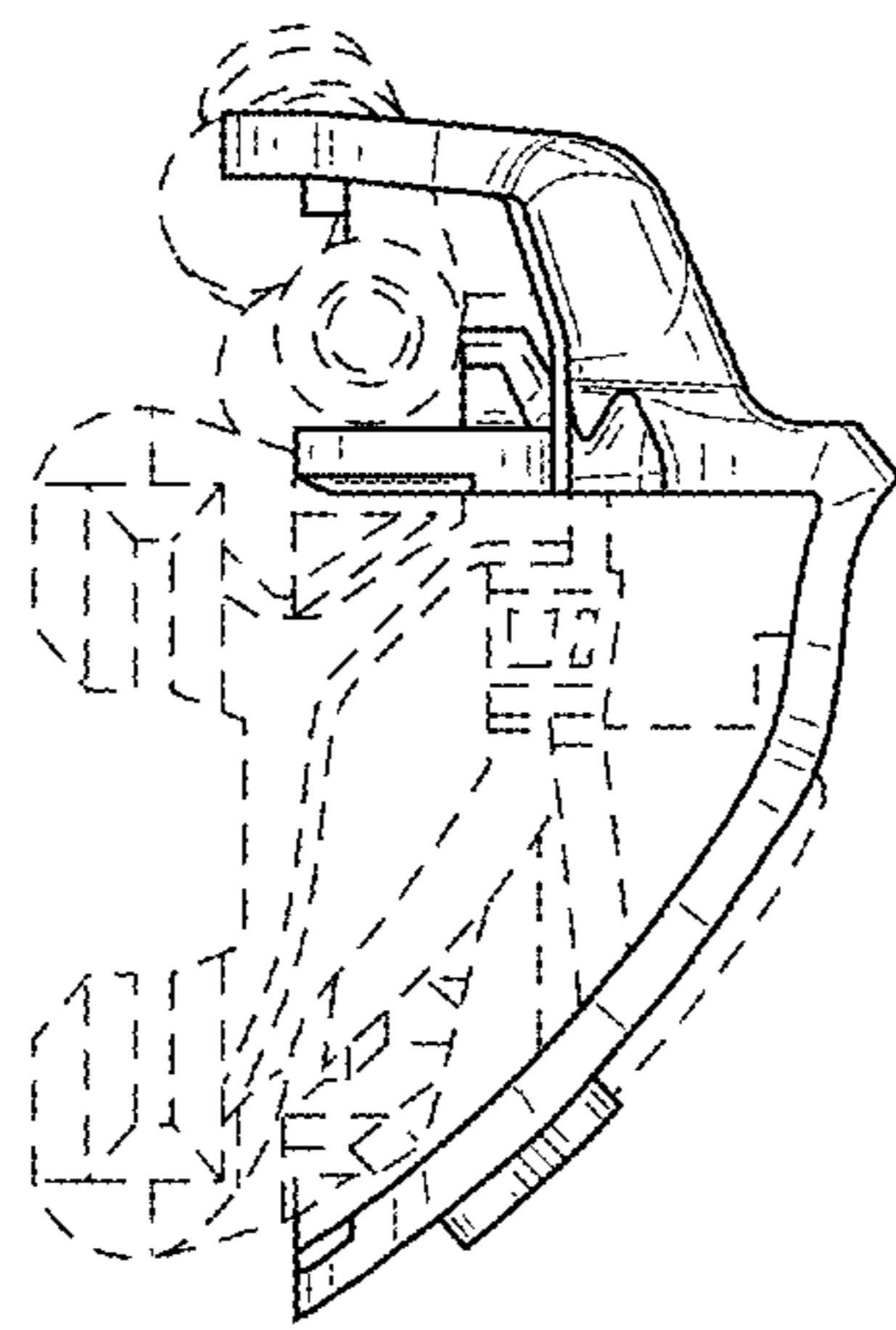


FIG. 1



**FIG. 2**



**FIG. 3**

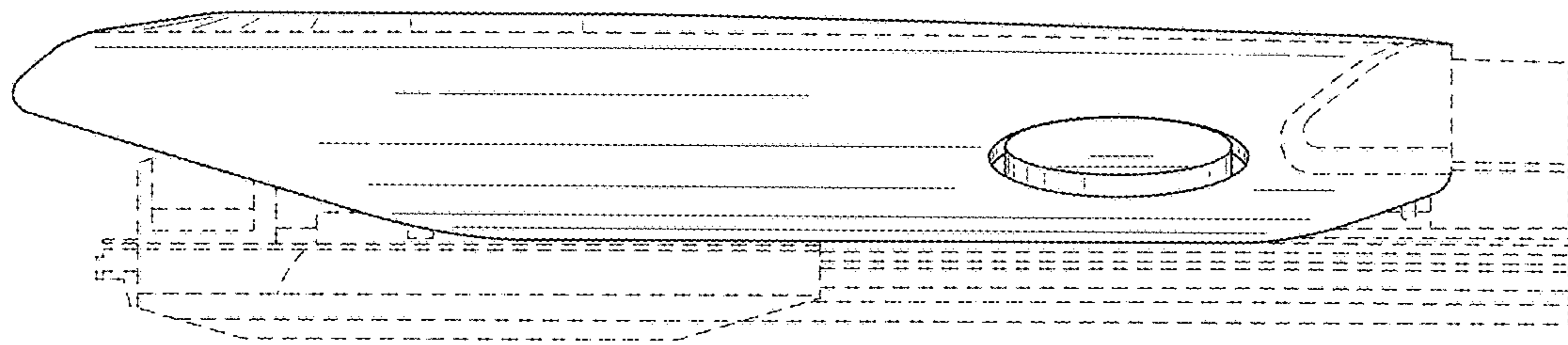


FIG. 4

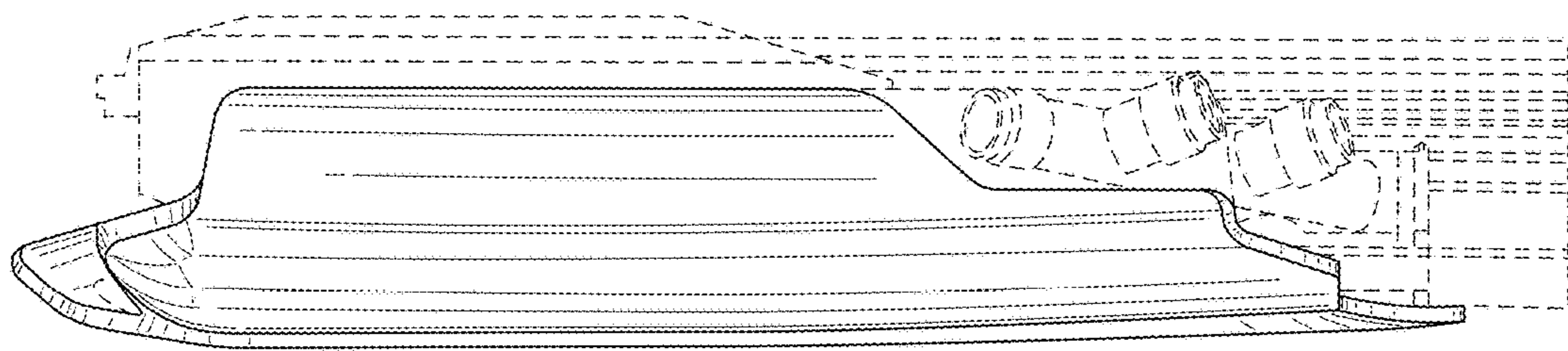


FIG. 5

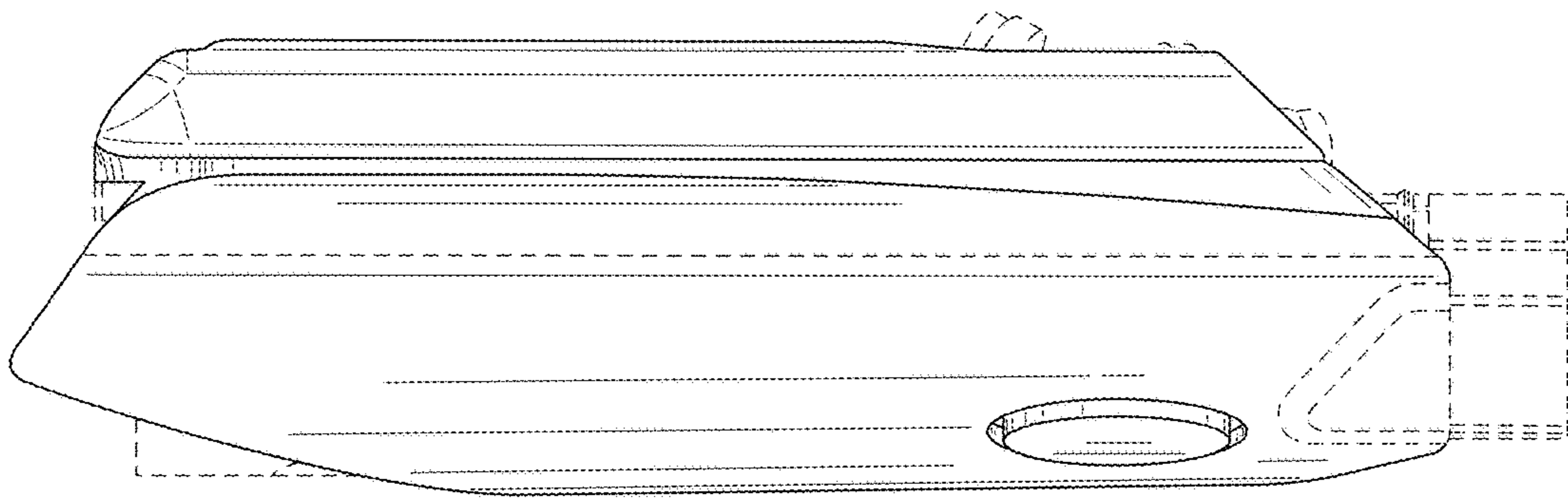


FIG. 6

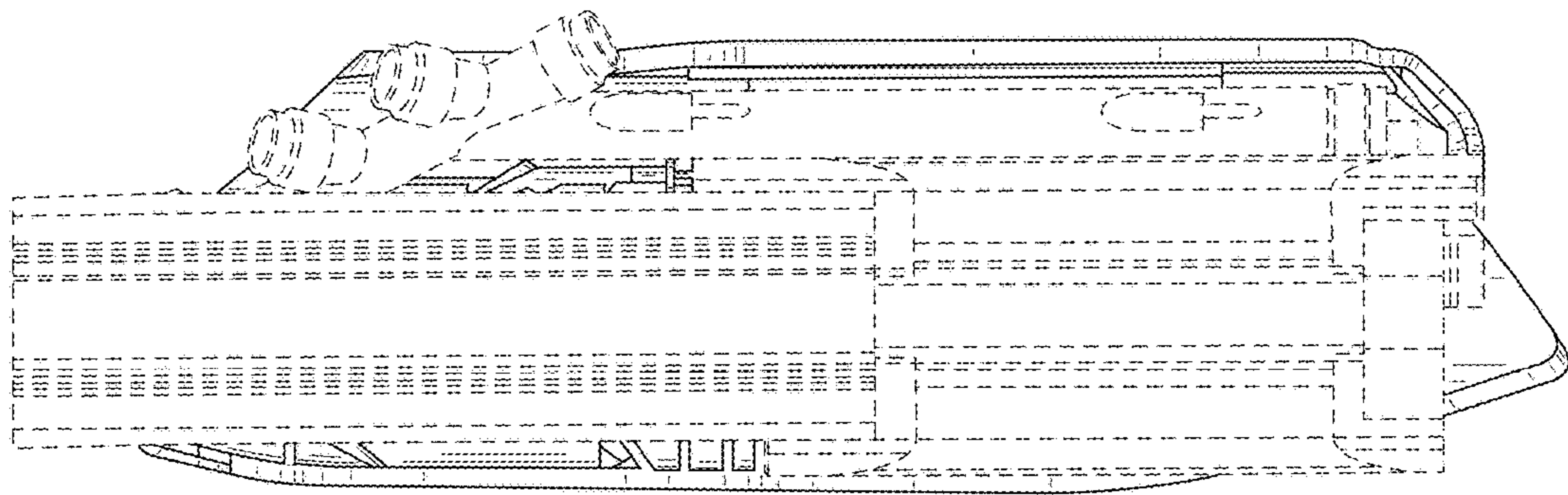


FIG. 7