



US00D851569S

(12) **United States Design Patent**
DiCanzio

(10) **Patent No.:** **US D851,569 S**
(45) **Date of Patent:** **** Jun. 18, 2019**

(54) **TIRE CARRIER**

(71) Applicant: **Turn 5, Inc.**, Malvern, PA (US)

(72) Inventor: **Michael DiCanzio**, West Chester, PA (US)

(73) Assignee: **Turn 5, Inc.**, Paoli, PA (US)

(**) Term: **15 Years**

(21) Appl. No.: **29/613,270**

(22) Filed: **Aug. 9, 2017**

(51) **LOC (11) Cl.** **12-16**

(52) **U.S. Cl.**
USPC **D12/202**

(58) **Field of Classification Search**

USPC D12/204–213; D8/328
CPC B60B 7/00; B60B 7/02; B60B 7/04; B60B 7/01; B60B 7/06; B60B 3/04; B60B 1/00; B60B 3/10; B60B 1/10; B60B 1/08; B60B 3/06; B60B 1/12; B60B 3/02; B62D 43/02; B62D 43/06; B62D 43/00; B60R 9/06; B60D 1/58; B60D 1/075

See application file for complete search history.

(56) **References Cited**

U.S. PATENT DOCUMENTS

D243,839 S * 3/1977 Driscoll D12/202
D345,337 S * 3/1994 Feller D12/202
D473,835 S * 4/2003 Roehmer D12/202

D505,649 S * 5/2005 Kenney D12/202
D562,206 S * 2/2008 Newbill D12/202
D609,619 S * 2/2010 Newbill D12/202
D730,794 S * 6/2015 Ridges D12/202
D758,829 S * 6/2016 Bennett D8/328
D781,759 S * 3/2017 Galley D12/202
D792,826 S * 7/2017 McMath D12/202
D818,343 S * 5/2018 Ignarra D8/328

* cited by examiner

Primary Examiner — Stacia A Cadmus

(74) *Attorney, Agent, or Firm* — Schott, P.C.

(57) **CLAIM**

The ornamental design for the tire carrier, as shown and described.

DESCRIPTION

FIG. 1 is a perspective view of the tire carrier of the present invention, with an understanding that mirror images are possible;

FIG. 2 is a front view thereof;

FIG. 3 is a rear view thereof;

FIG. 4 is a top view thereof;

FIG. 5 is a bottom view thereof;

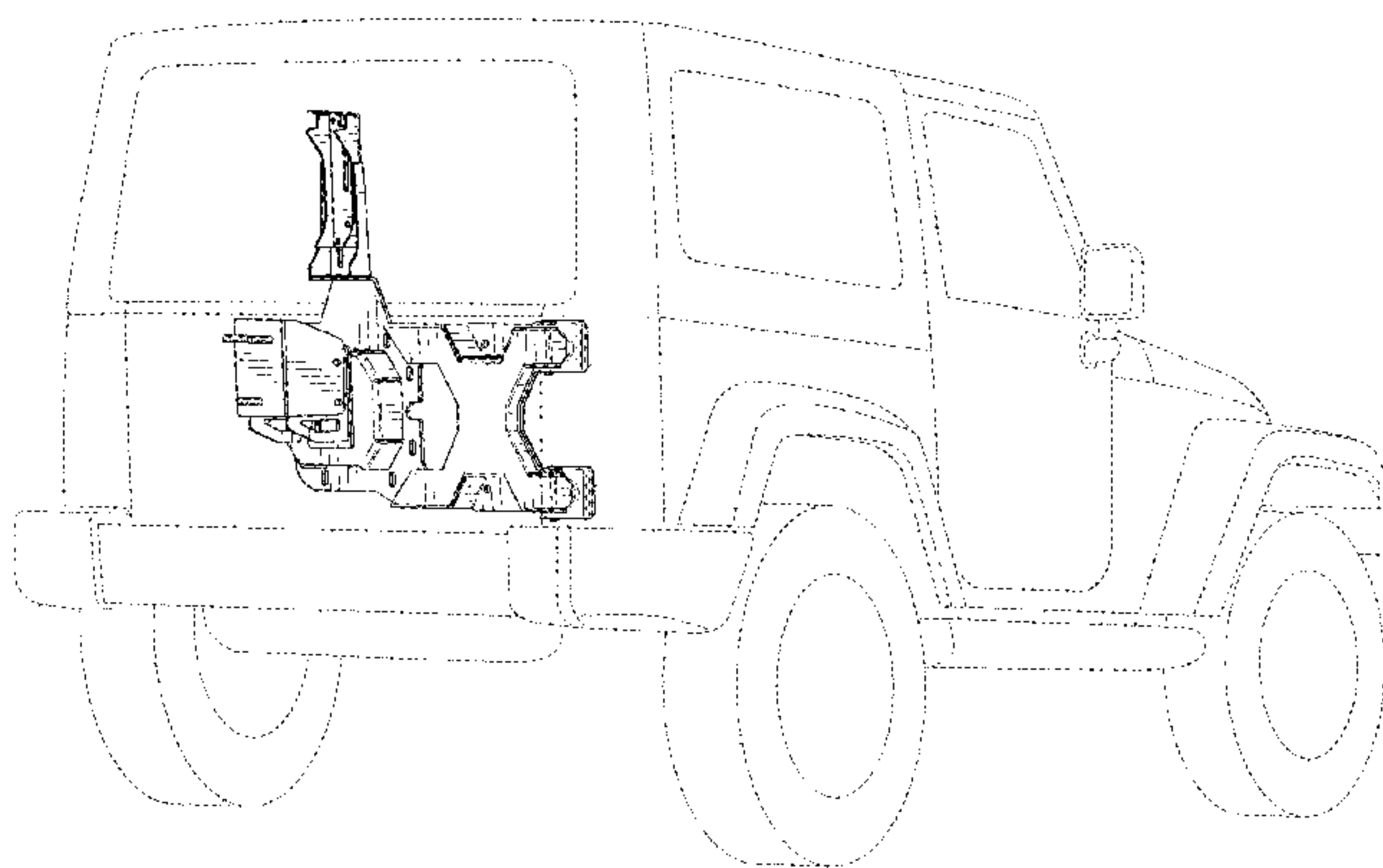
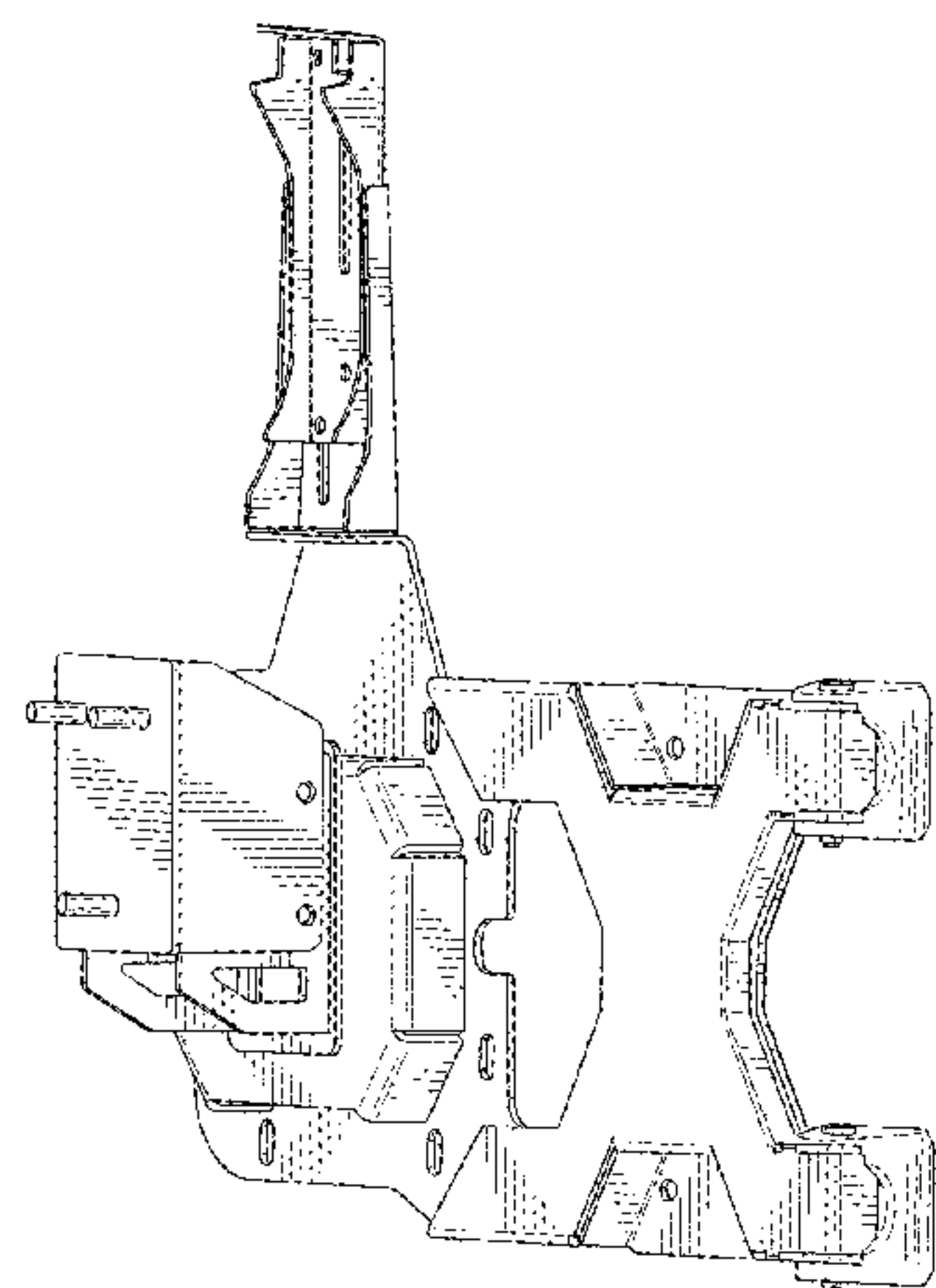
FIG. 6 is a front elevation view thereof;

FIG. 7 is a rear elevation view thereof; and,

FIG. 8 is a perspective view thereof in a potential environment.

The broken lines illustrate the design's environment and form no part of the claimed design.

1 Claim, 6 Drawing Sheets



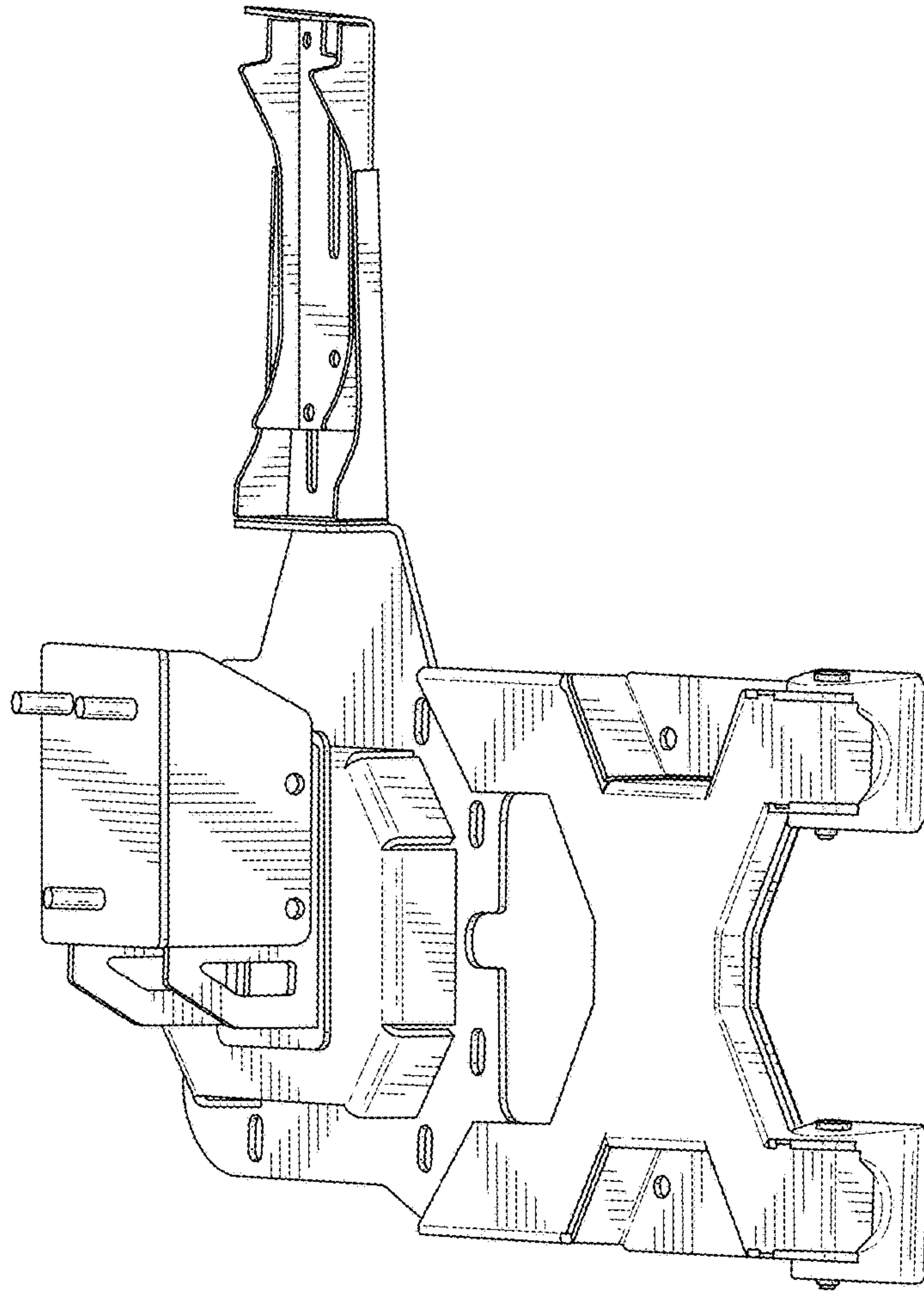
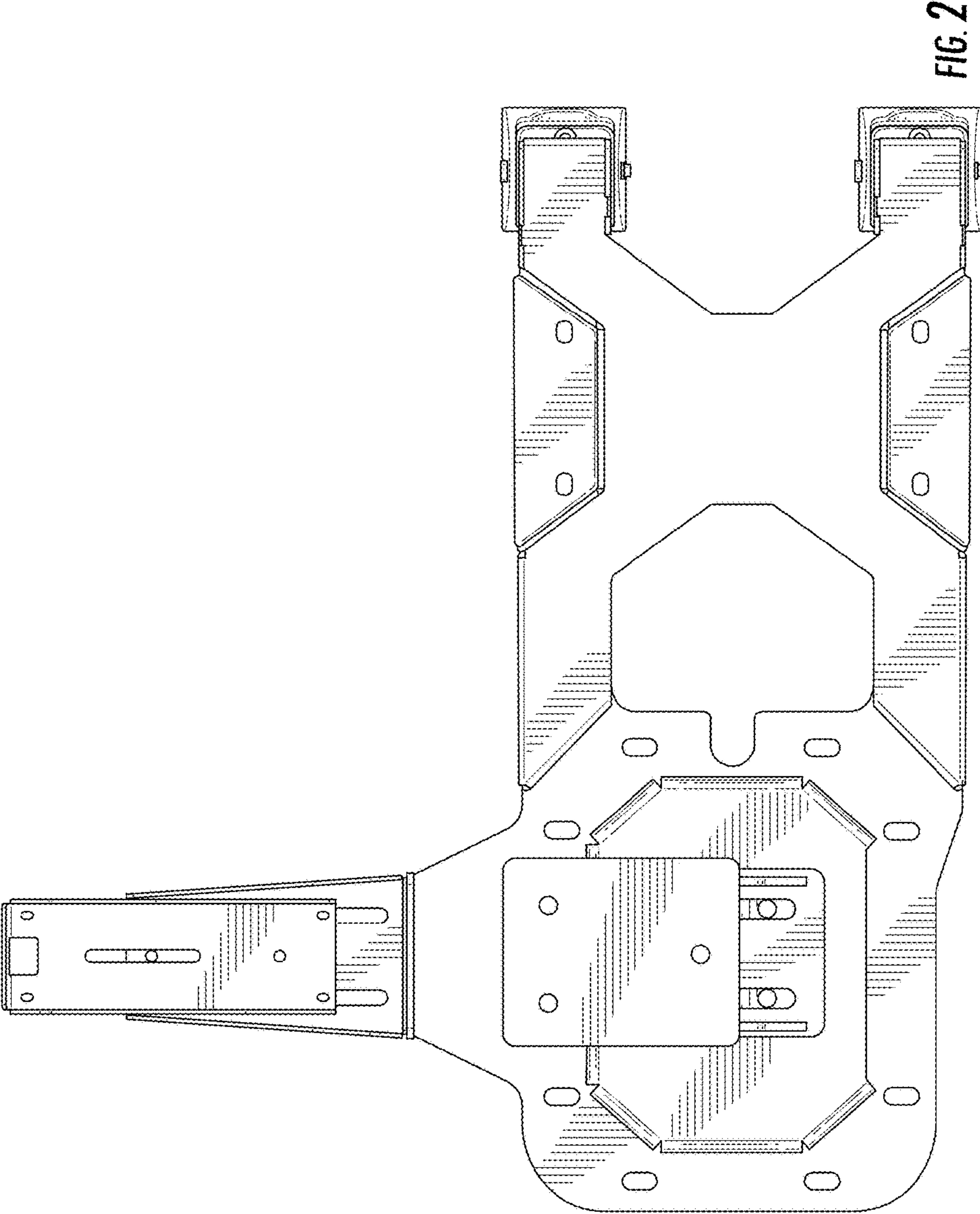
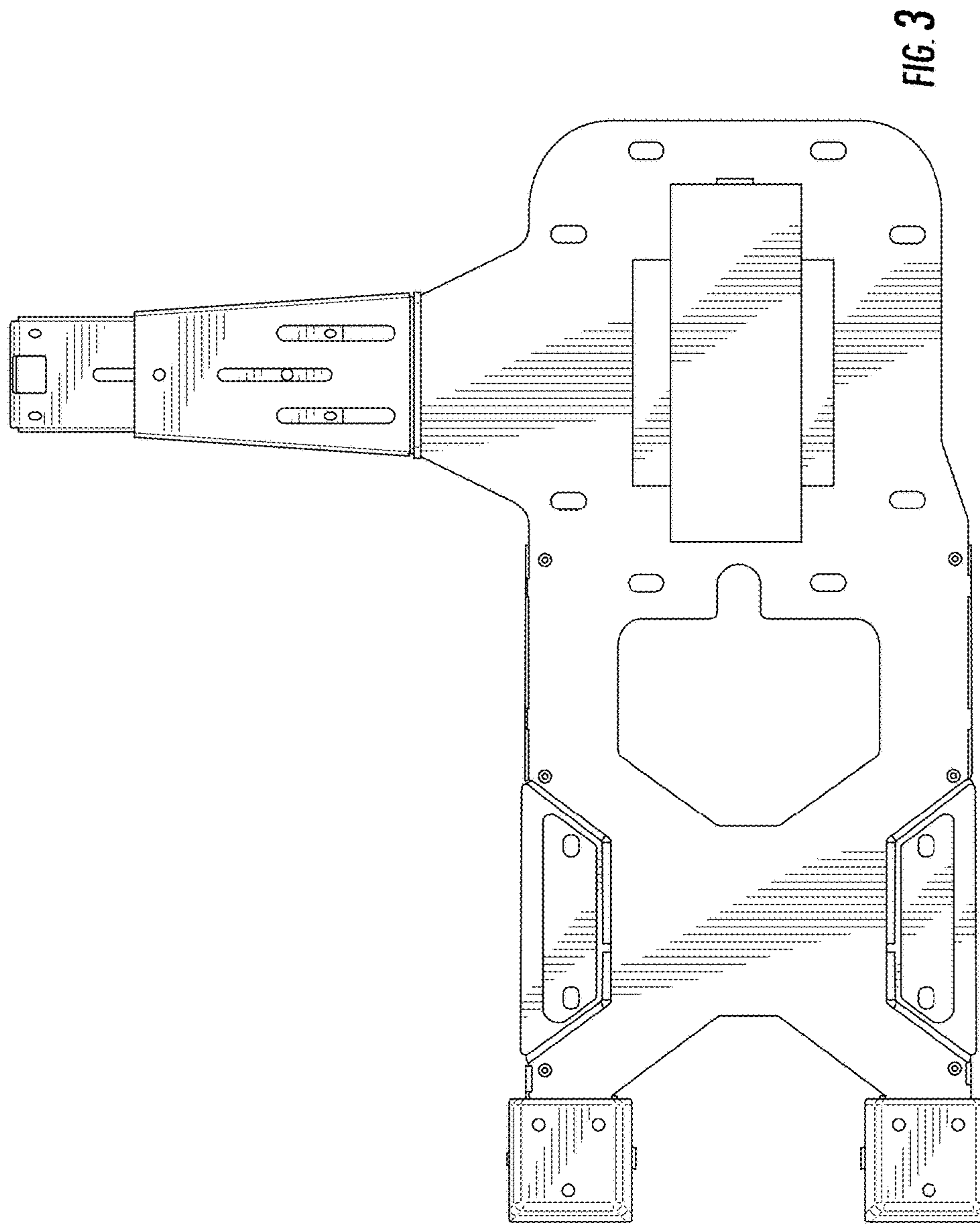


FIG. 1





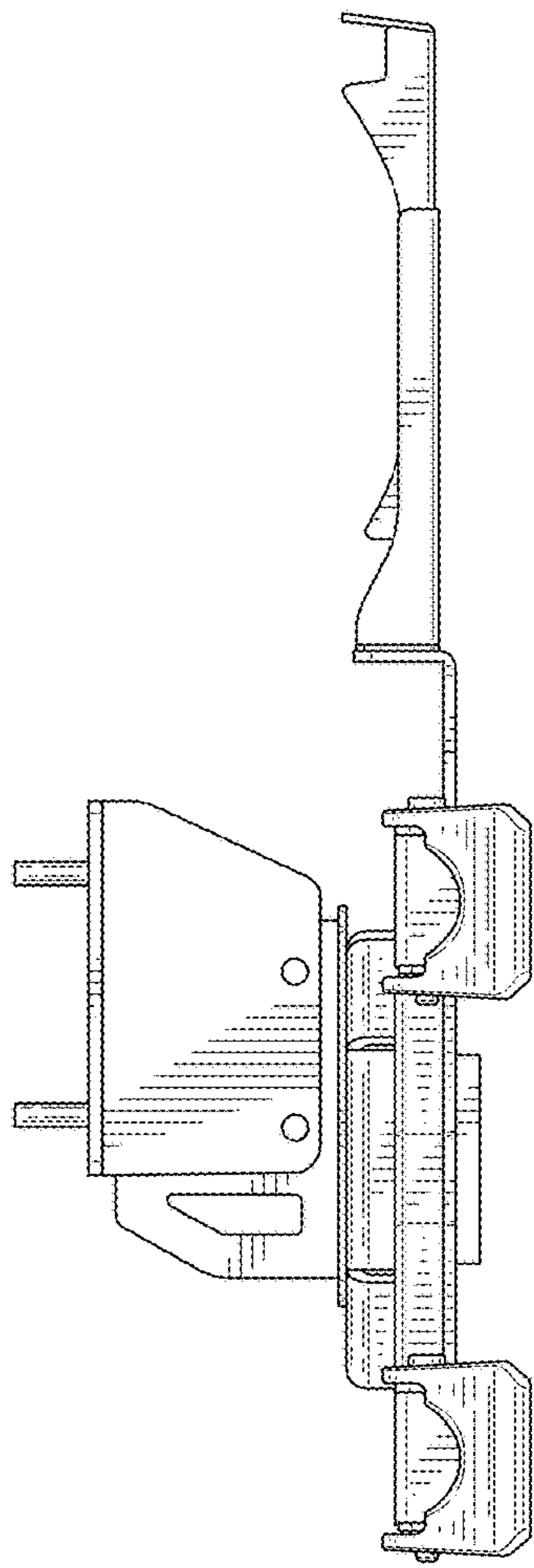


FIG. 4

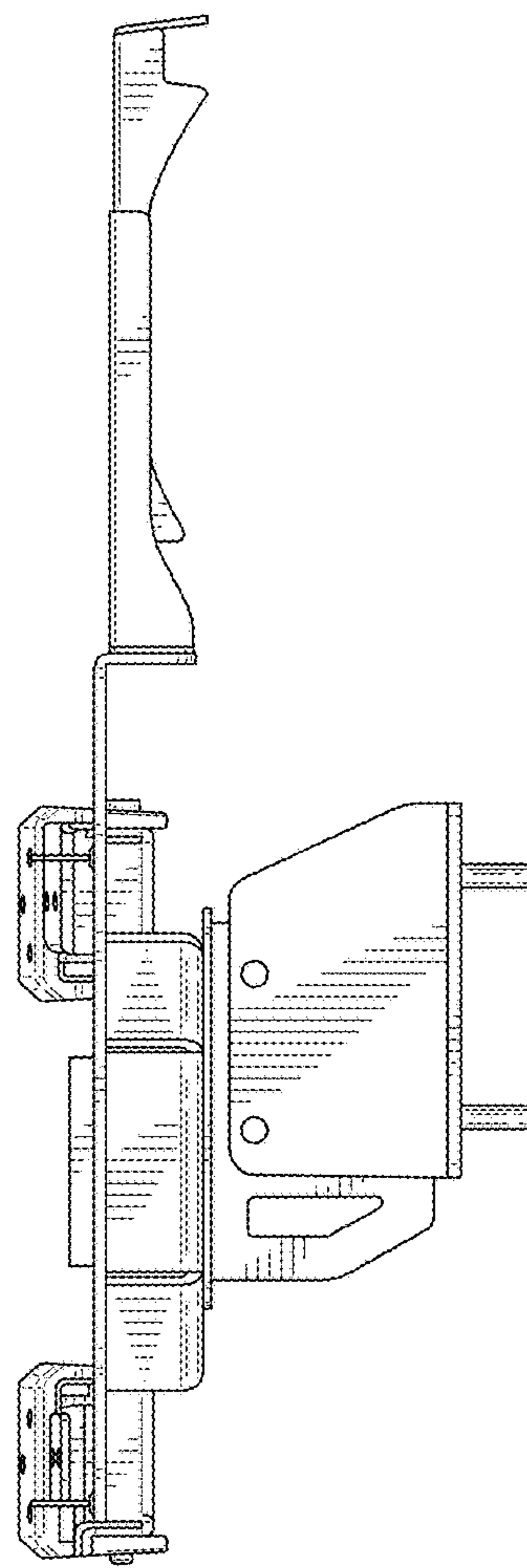


FIG. 5

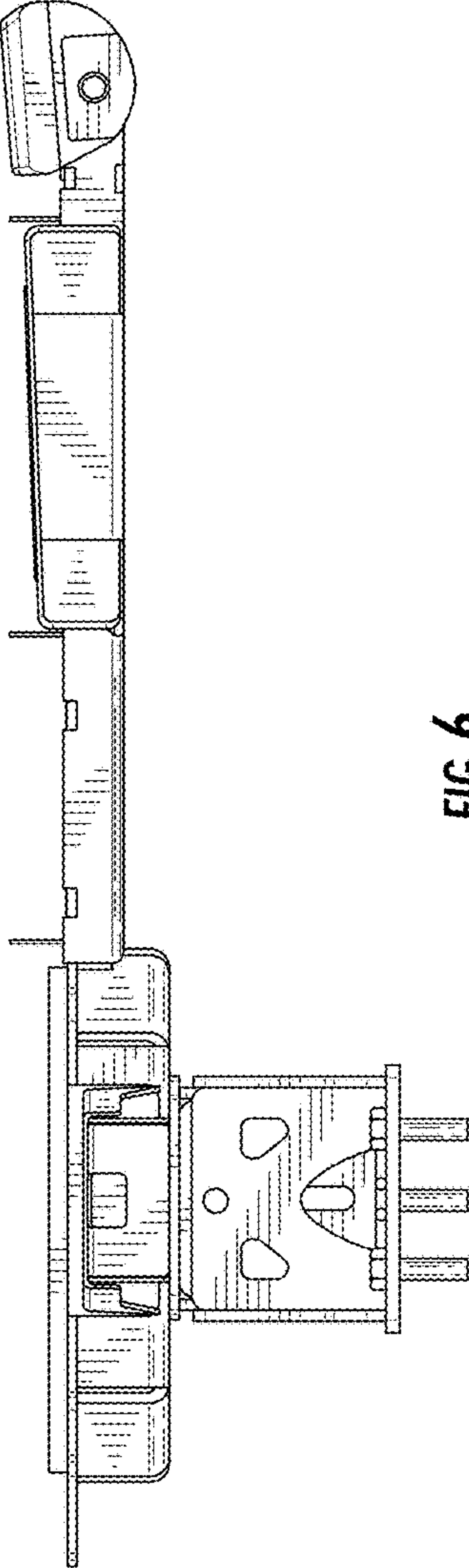


FIG. 6

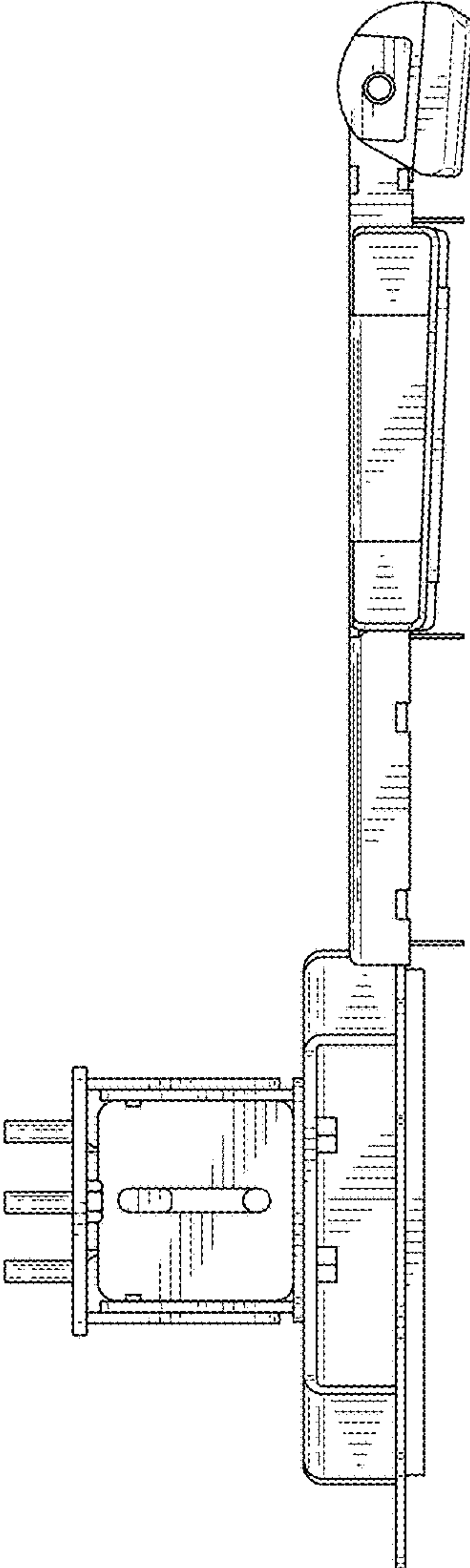


FIG. 7

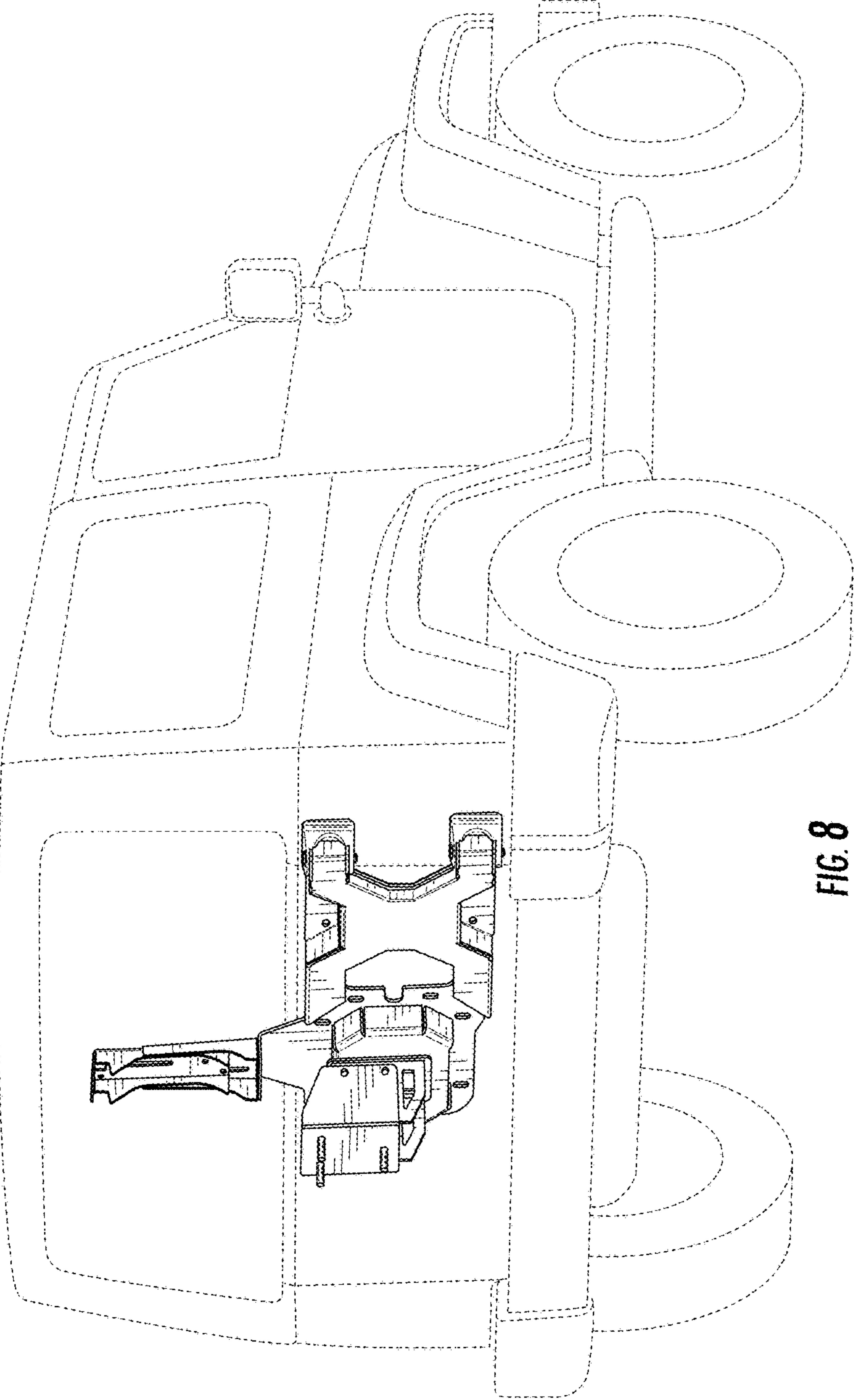


FIG. 8