



US00D851566S

(12) **United States Design Patent**
Nessi et al.

(10) **Patent No.:** **US D851,566 S**
(45) **Date of Patent:** **** Jun. 18, 2019**

(54) **DISC BRAKE CALIPER**
(71) Applicant: **Freni Brembo S.p.A.**, Curno, Bergamo (IT)
(72) Inventors: **Lorenzo Nessi**, Curno (IT); **Adriano Bonetti**, Curno (IT)
(73) Assignee: **Freni Brembo S.p.A.** (IT)
(**) Term: **15 Years**
(21) Appl. No.: **29/608,320**

(22) Filed: **Jun. 21, 2017**
(30) **Foreign Application Priority Data**
Dec. 22, 2016 (IT) 402016000130145
(51) **LOC (11) Cl.** **12-16**
(52) **U.S. Cl.**
USPC **D12/180**
(58) **Field of Classification Search**
USPC D12/123, 179, 180
CPC F16D 55/224; F16D 55/227; F16D 55/00;
F16D 55/22; F16D 65/0977; F16D 65/18;
F16D 65/092
See application file for complete search history.

(56) **References Cited**
U.S. PATENT DOCUMENTS
D522,420 S * 6/2006 Crippa D12/180
D522,421 S * 6/2006 Crippa D12/180
D523,794 S * 6/2006 Strumbo D12/180
D607,793 S * 1/2010 Maroni D12/180
D610,059 S * 2/2010 Azimonti D12/180

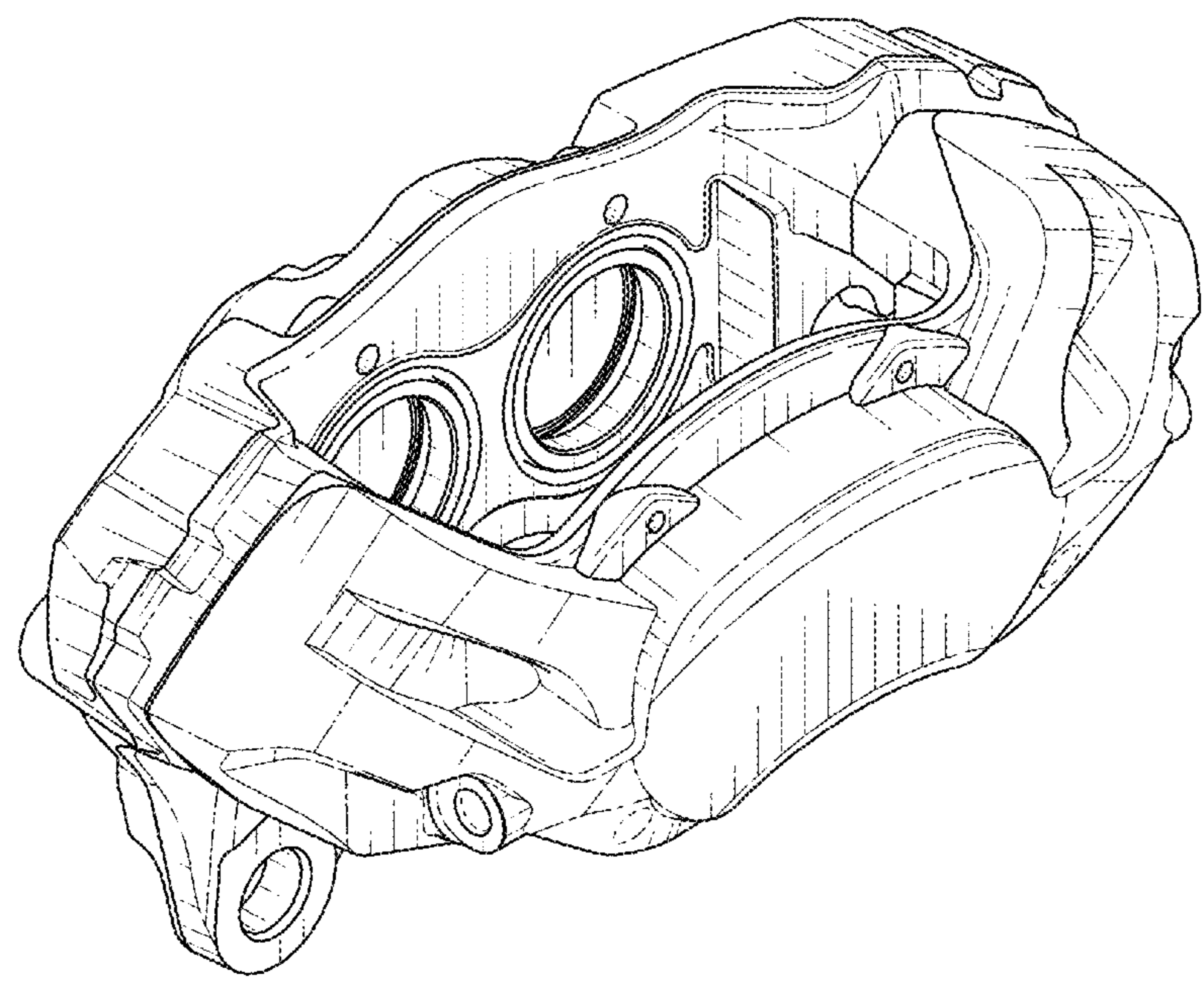
D610,507 S * 2/2010 Azimonti D12/180
D700,551 S * 3/2014 Davenport, III D12/180
D815,000 S * 4/2018 Igawa D12/180
2004/0238296 A1 * 12/2004 Gotti F16D 65/00
188/73.1
2015/0021124 A1 * 1/2015 Preda F16D 55/228
188/71.6
2015/0027822 A1 * 1/2015 Cerutti F16D 55/228
188/73.47
2016/0053835 A1 * 2/2016 Castellana F16D 55/22
188/72.4
2017/0074338 A1 * 3/2017 Fischl F16D 65/092

* cited by examiner
Primary Examiner — Susan E Krakower
Assistant Examiner — Jerry Shiuan-Hua Hsu
(74) *Attorney, Agent, or Firm* — Saidman DesignLaw Group, LLC

(57) **CLAIM**
The ornamental design for a disc brake caliper, as shown and described.

DESCRIPTION
FIG. 1 is a front perspective view of a disc brake caliper showing our new design;
FIG. 2 is a rear perspective view thereof;
FIG. 3 is a front view thereof;
FIG. 4 is a rear view thereof;
FIG. 5 is a left side view thereof;
FIG. 6 is a right side view thereof;
FIG. 7 is a top view thereof; and,
FIG. 8 is a bottom view thereof.
The broken lines illustrate portions of the disc brake caliper which form no part of the claimed design.

1 Claim, 5 Drawing Sheets



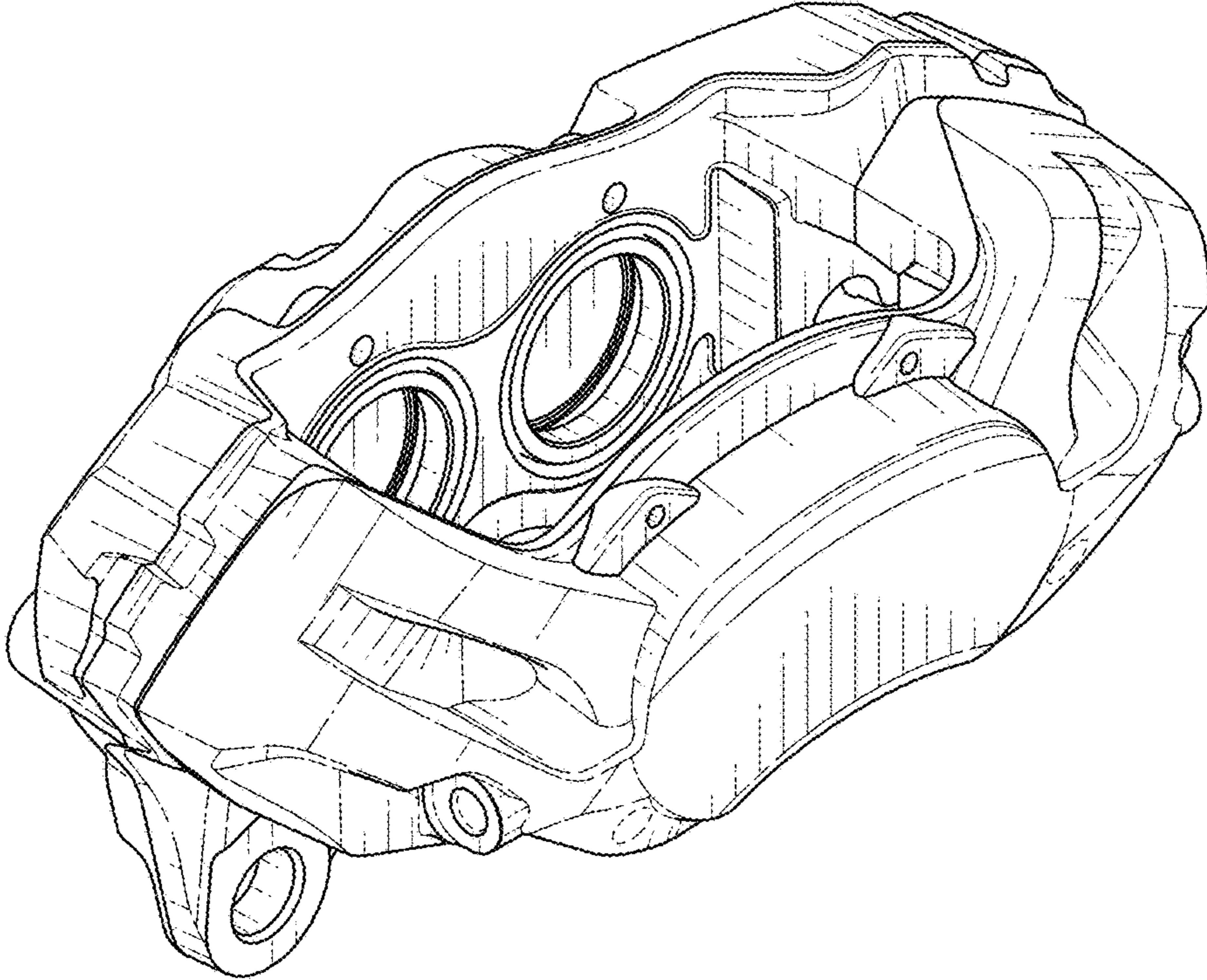


FIG. 1

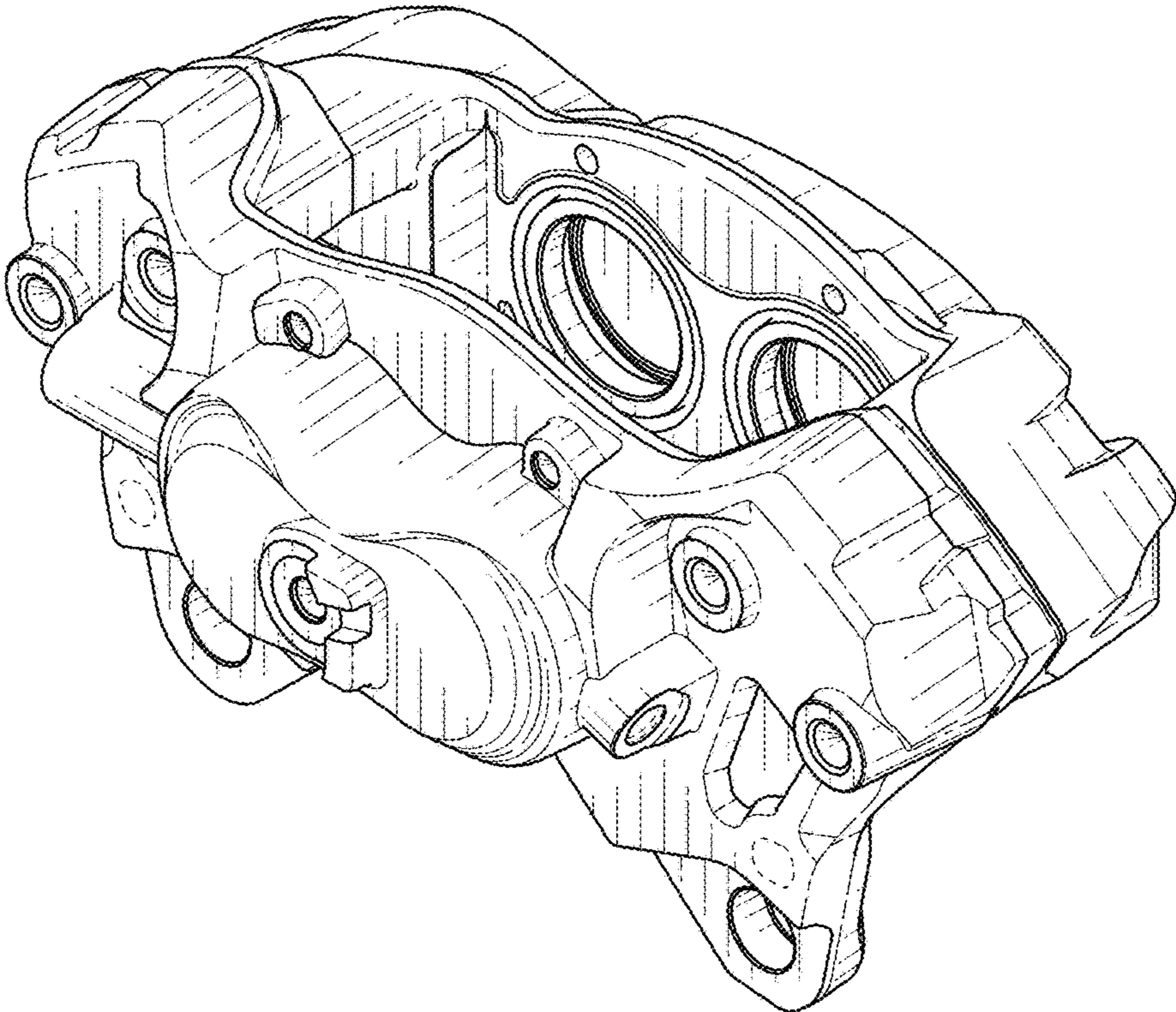


FIG. 2

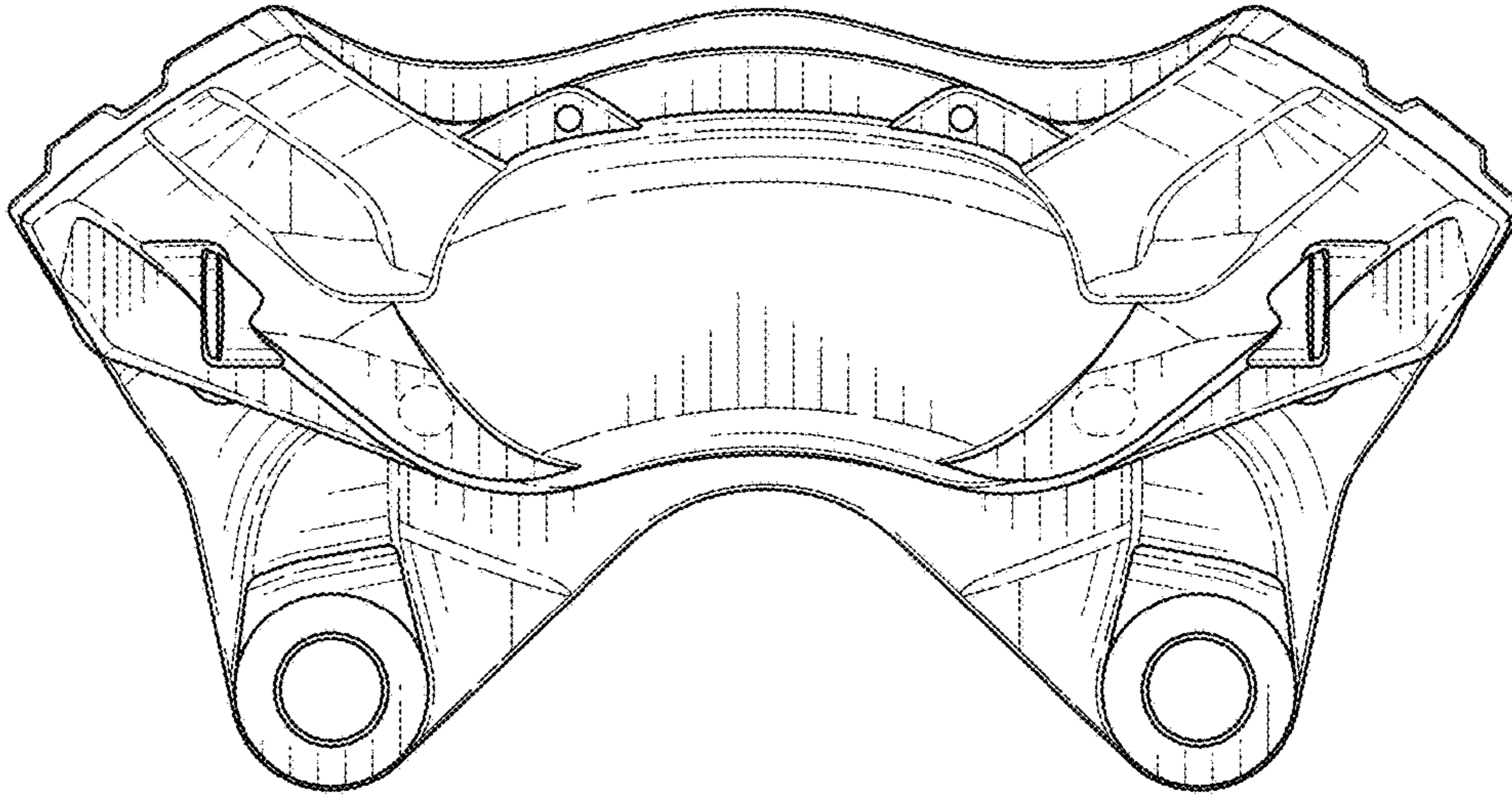


FIG. 3

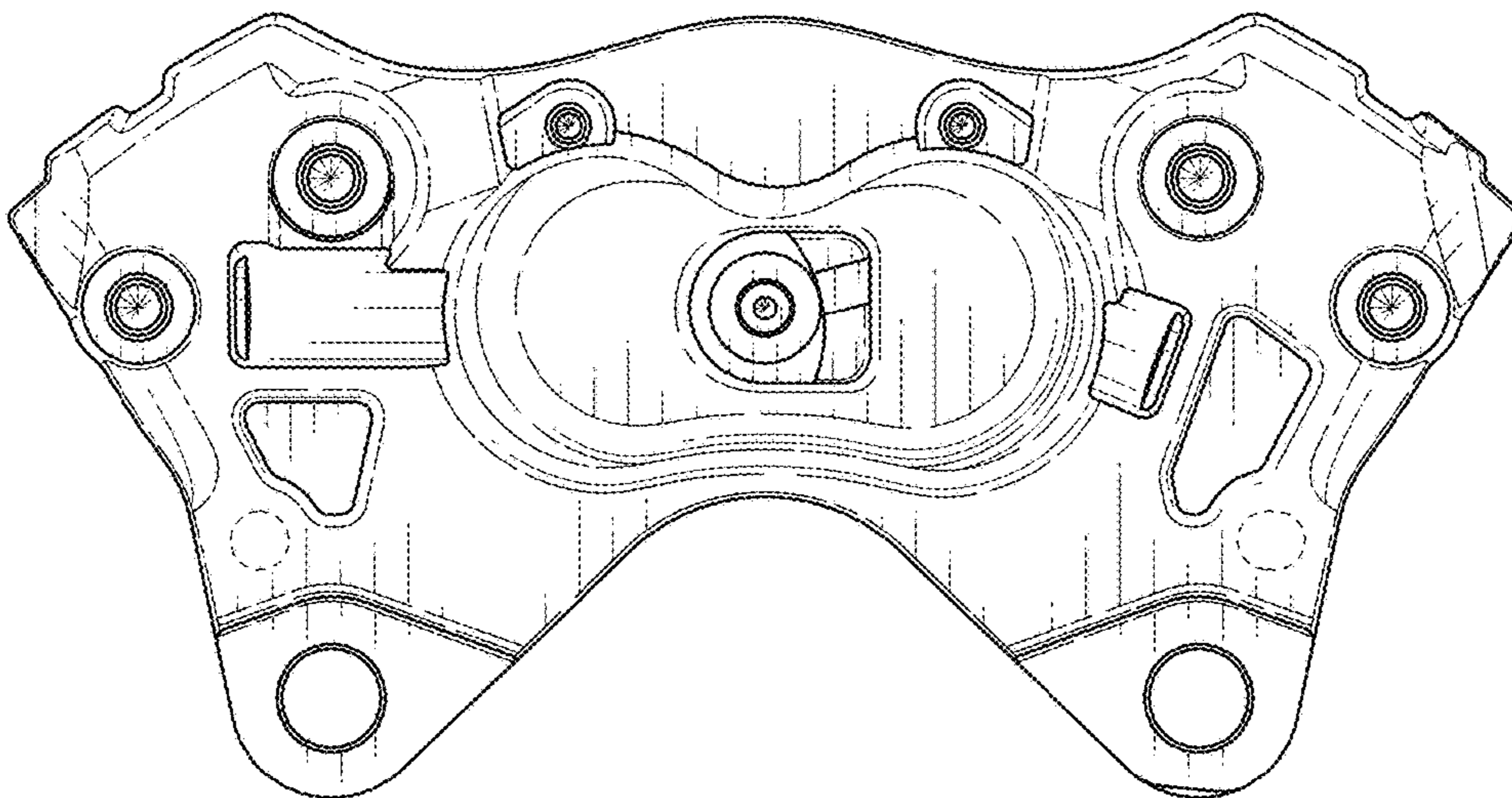


FIG. 4

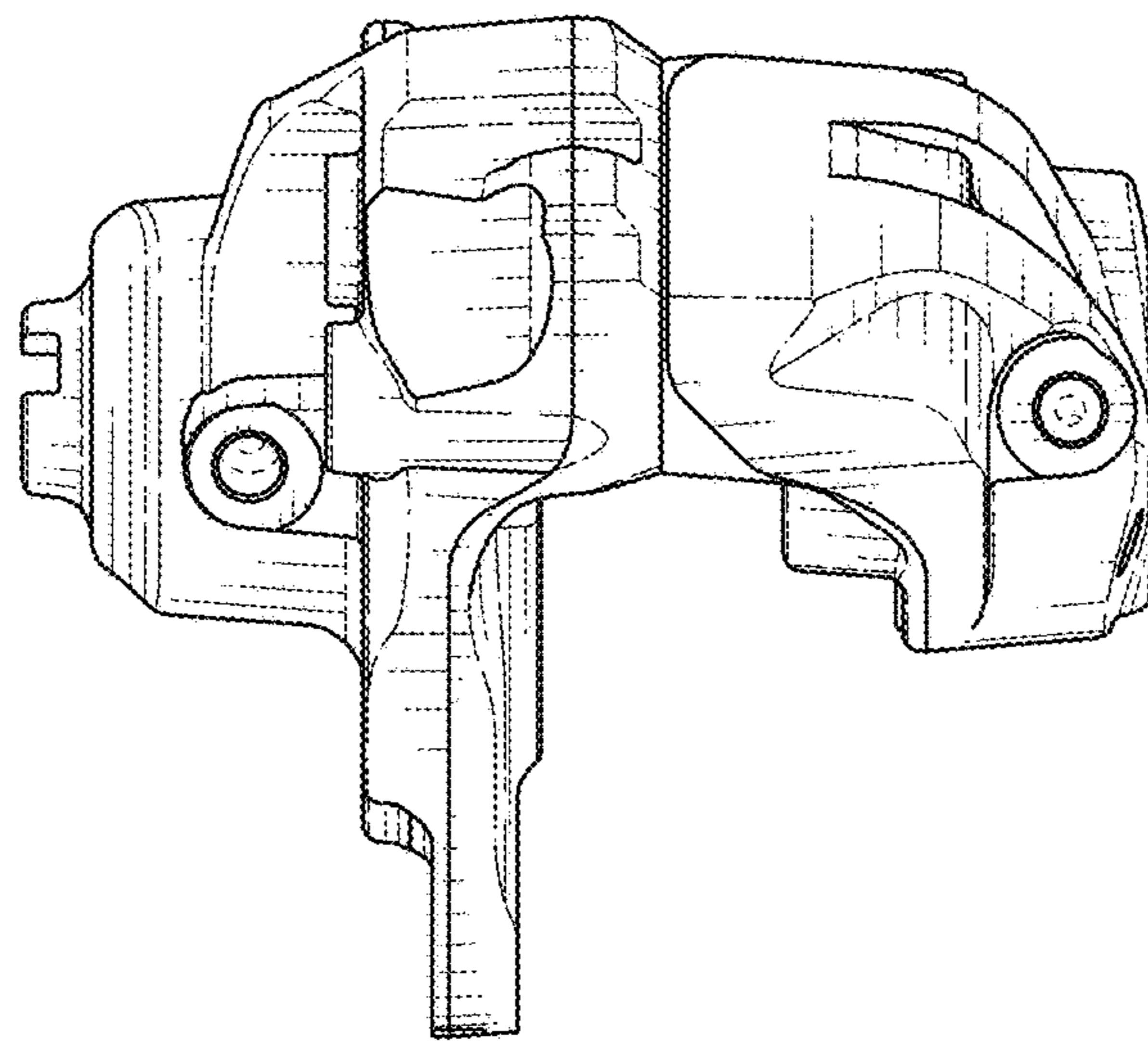


FIG. 5

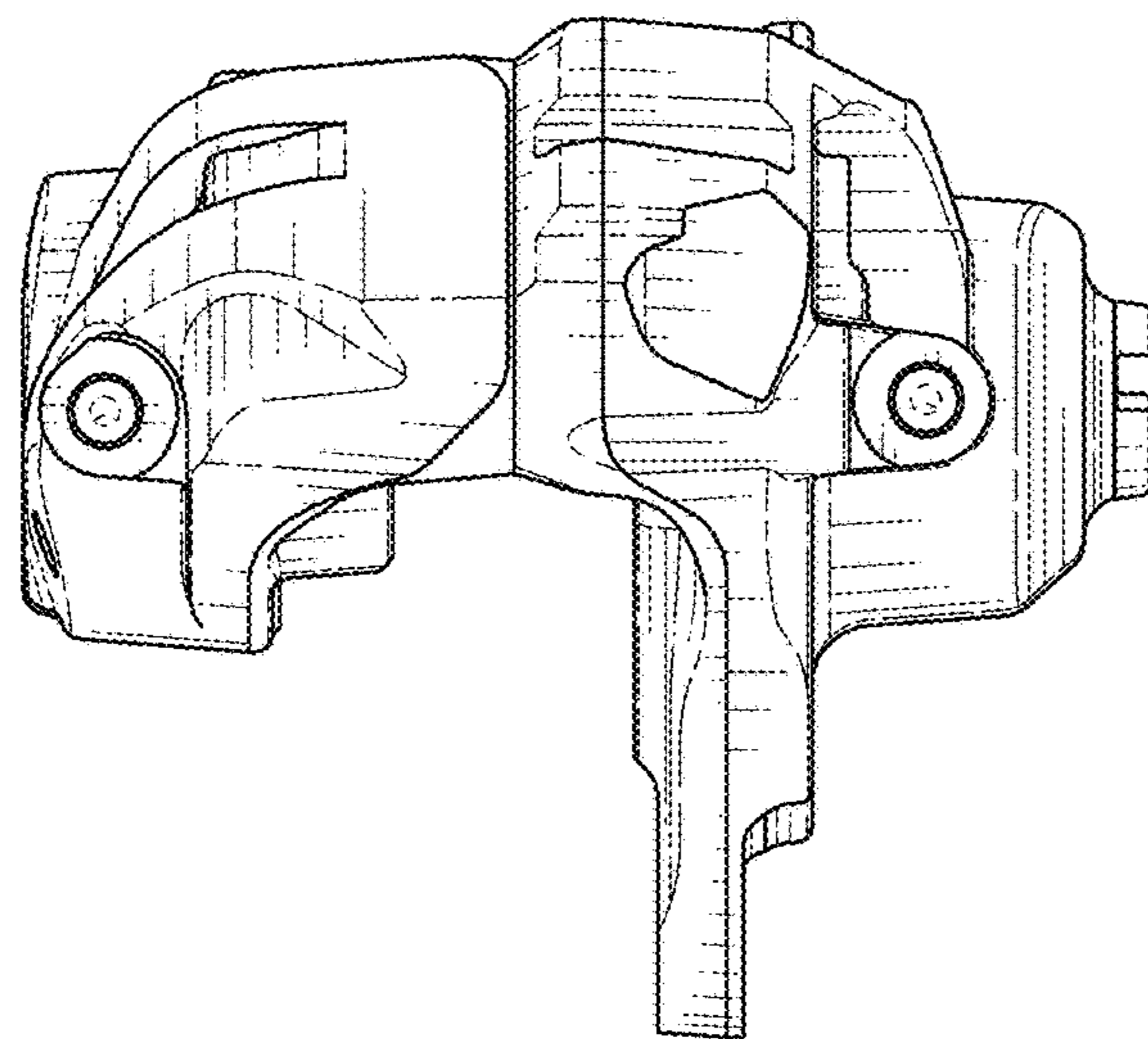


FIG. 6

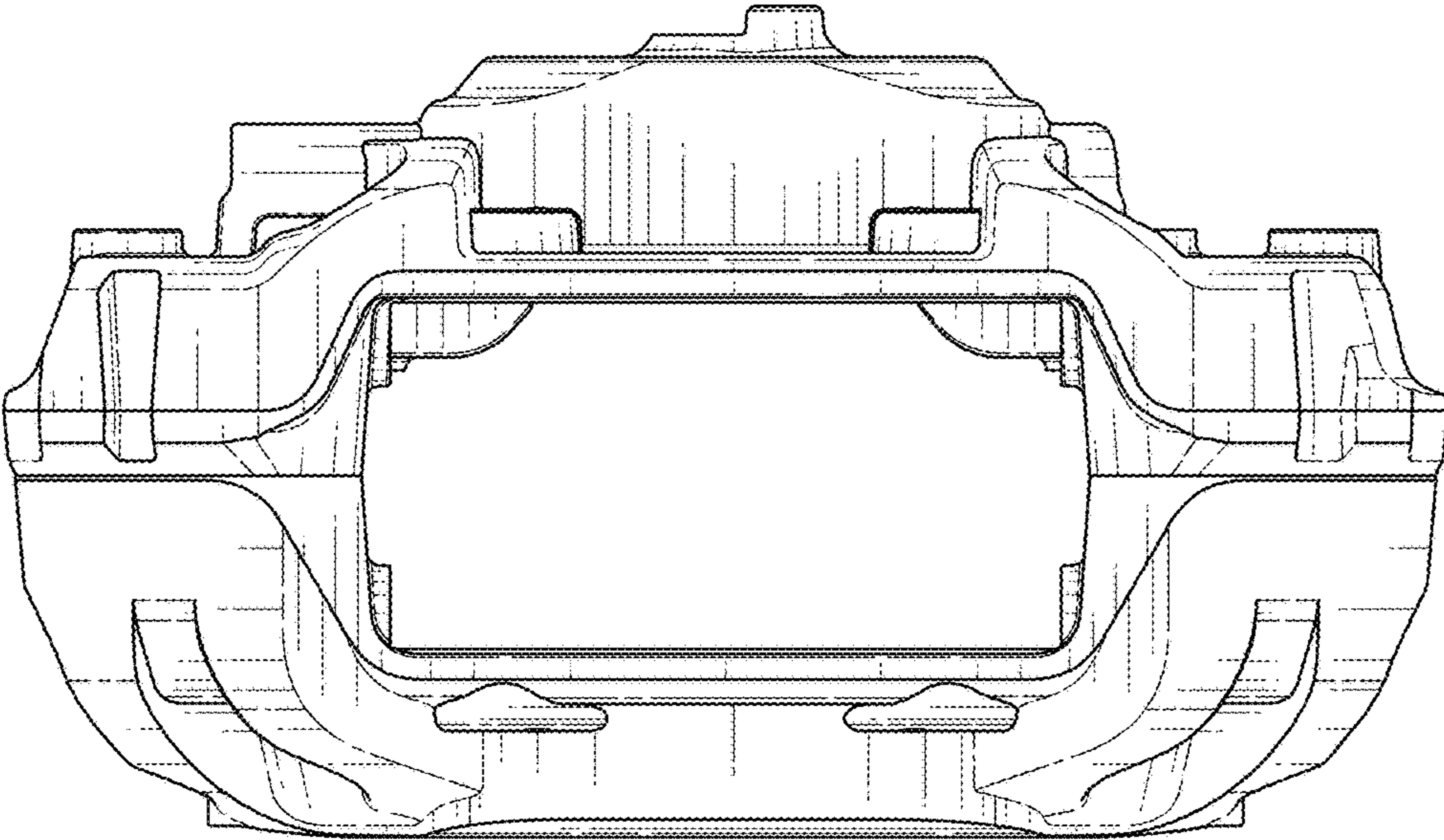


FIG. 7

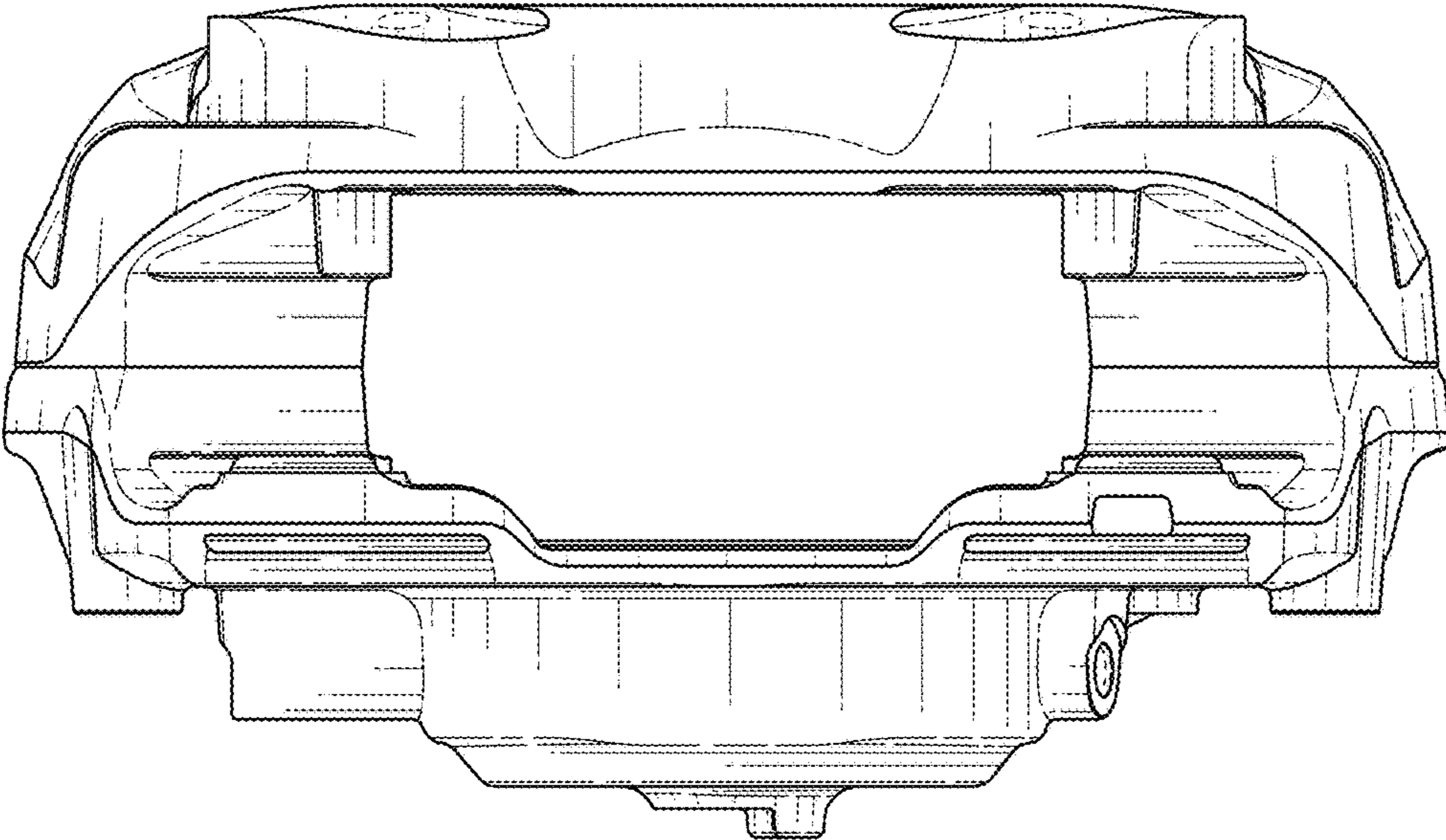


FIG. 8