



US00D851565S

(12) **United States Design Patent**
Carlini

(10) **Patent No.:** **US D851,565 S**

(45) **Date of Patent:** **** Jun. 18, 2019**

(54) **SHIFTER**

(71) Applicant: **Aircraft Gear Corporation**, Loves Park, IL (US)

(72) Inventor: **Sean M. Carlini**, Rockford, IL (US)

(73) Assignee: **Aircraft Gear Corporation**, Loves Park, IL (US)

(**) Term: **15 Years**

(21) Appl. No.: **29/614,942**

(22) Filed: **Aug. 24, 2017**

(51) **LOC (11) Cl.** **12-16**

(52) **U.S. Cl.**
USPC **D12/179**

(58) **Field of Classification Search**

USPC D12/179, 180, 177, 174, 159, 126, 192,
D12/114, 7, 400, 223, 215, 195, 345, 181,
D12/187; D13/168; D14/416; D15/149
CPC B60F 5/02; F16H 59/02; F16H 59/0217;
F16H 59/0278; F16H 59/10; F16H 59/04;
F16H 59/042; E02F 9/2004; B60R
25/066; B60T 7/102; F15B 7/003
See application file for complete search history.

(56) **References Cited**

U.S. PATENT DOCUMENTS

D213,747 S *	4/1969	Ross	D12/179
D222,445 S *	10/1971	Hurst, Jr. et al.	D12/179
3,991,845 A *	11/1976	LaPointe	F15B 7/003
				180/336
D287,255 S *	12/1986	Watson, Jr.	D14/416
D300,023 S *	2/1989	DeRamus, Jr.	D12/179
D303,815 S *	10/1989	Kim	D14/416
4,914,969 A *	4/1990	Lieb	F16H 59/04
				74/473.22
D317,948 S *	7/1991	Tse	D14/416

(Continued)

Primary Examiner — Susan E Krakower

Assistant Examiner — Jerry Shiuan-Hua Hsu

(74) *Attorney, Agent, or Firm* — John V. Daniluck;
Bingham Greenebaum Doll LLP

(57) **CLAIM**

The ornamental design for a shifter, as shown and described.

DESCRIPTION

FIG. 1 is a left, front, top perspective view of a shifter showing my new design, according to a first embodiment; FIG. 2 is a right, rear, and top perspective view of the apparatus of FIG. 1;

FIG. 3 is a front elevational view of the apparatus of FIG. 1, FIG. 4 is a left side elevational view of the apparatus of FIG. 1;

FIG. 5 is a rear elevational view of the apparatus of FIG. 1; FIG. 6 is a right side elevational view of the apparatus of FIG. 1;

FIG. 7 is a top plan view of the apparatus of FIG. 1; and FIG. 8 is a bottom plan view of apparatus of FIG. 1.

FIG. 9 is a left, front, top perspective view of a shifter showing my new design, according to a second embodiment;

FIG. 10 is a right, rear, and top perspective view of the apparatus of FIG. 9;

FIG. 11 is a front elevational view of the apparatus of FIG. 9,

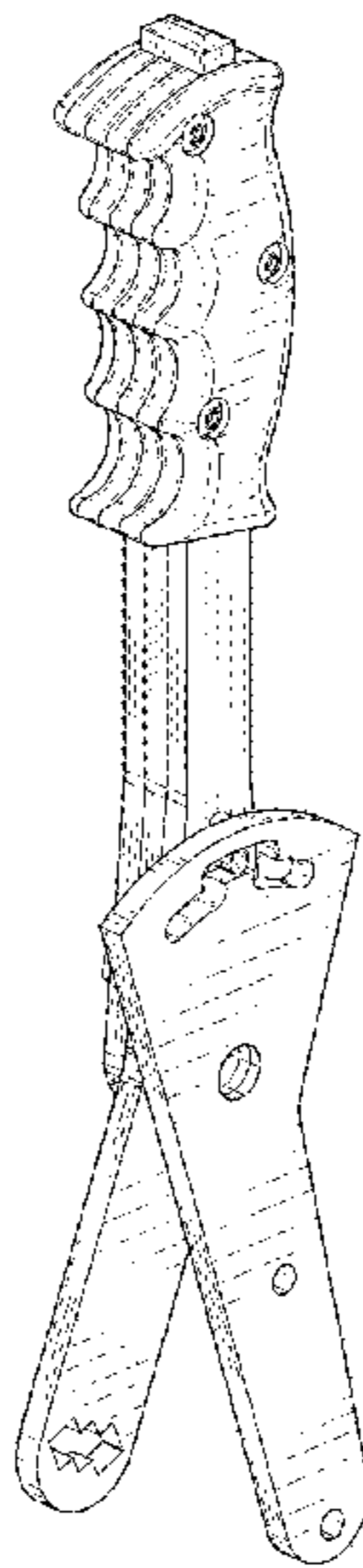
FIG. 12 is a left side elevational view of the apparatus of FIG. 9;

FIG. 13 is a rear elevational view of the apparatus of FIG. 9;

FIG. 14 is a right side elevational view of the apparatus of FIG. 9;

FIG. 15 is a top plan view of the apparatus of FIG. 9; and, FIG. 16 is a bottom plan view of apparatus of FIG. 9.

1 Claim, 10 Drawing Sheets



(56)

References Cited

U.S. PATENT DOCUMENTS

D340,442 S * 10/1993 Bessette D13/168
D368,104 S * 3/1996 Pfister D15/149
5,921,141 A * 7/1999 Gouselis F16H 59/042
74/471 XY
D588,967 S * 3/2009 Tsay D12/174
D702,165 S * 4/2014 Geberth D12/174
D710,273 S * 8/2014 LeBlanc D12/179
9,003,917 B2 * 4/2015 Geberth F16H 59/04
74/473.33
9,109,688 B2 * 8/2015 Beaufils B60T 7/102
D784,785 S * 4/2017 Sasaki D12/179
D803,115 S * 11/2017 Baiz D12/179
D833,346 S * 11/2018 Wicks D12/179
2004/0041689 A1 * 3/2004 DeBono B60R 25/066
340/5.52
2010/0186533 A1 * 7/2010 Akahane E02F 9/2004
74/483 R
2015/0308563 A1 * 10/2015 Itoo F16H 59/02
74/473.21
2017/0102069 A1 * 4/2017 Kim F16H 59/0217
2017/0122428 A1 * 5/2017 Lunati F16H 59/10
2017/0184195 A1 * 6/2017 Kato F16H 59/0278
2017/0299049 A1 * 10/2017 Henion B60F 5/02

* cited by examiner

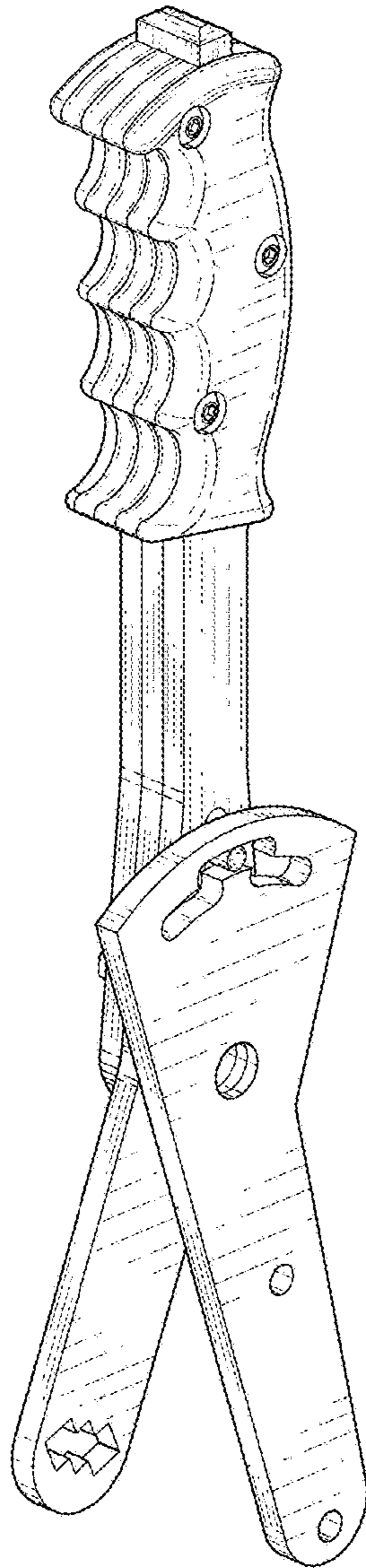


Fig. 1

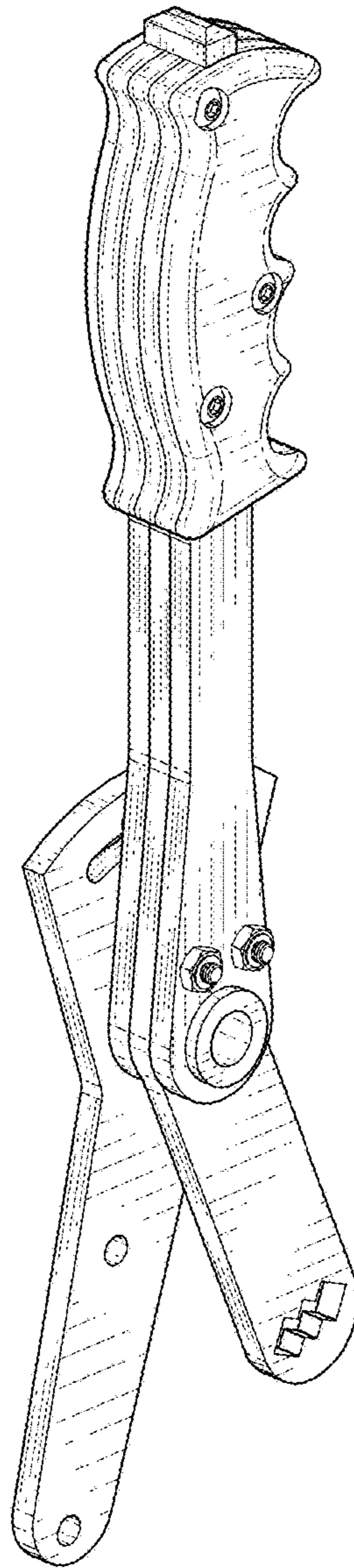


Fig. 2

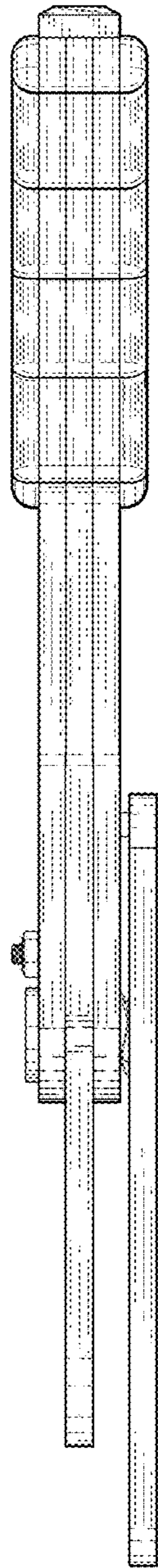


Fig. 3

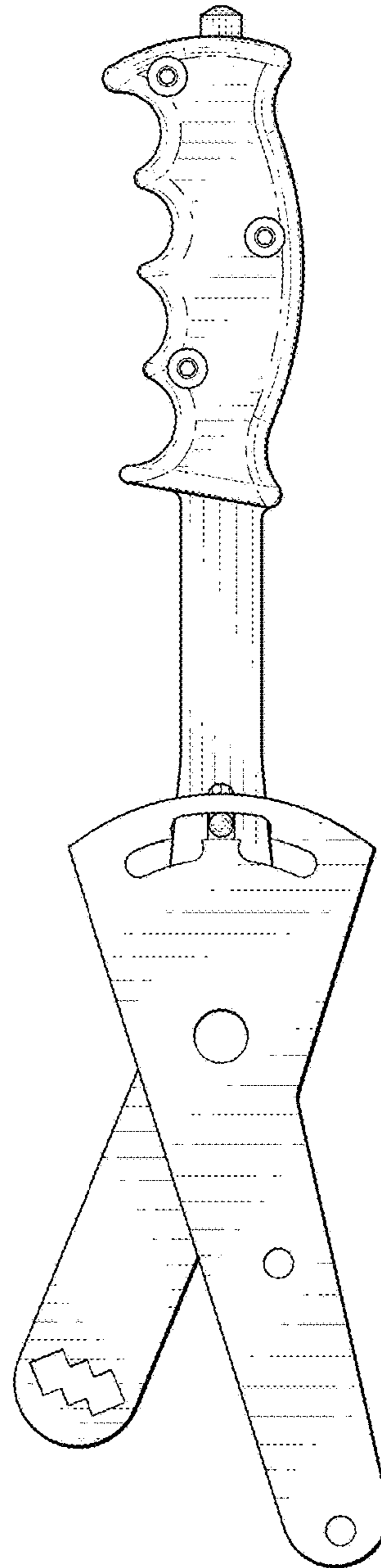


Fig. 4

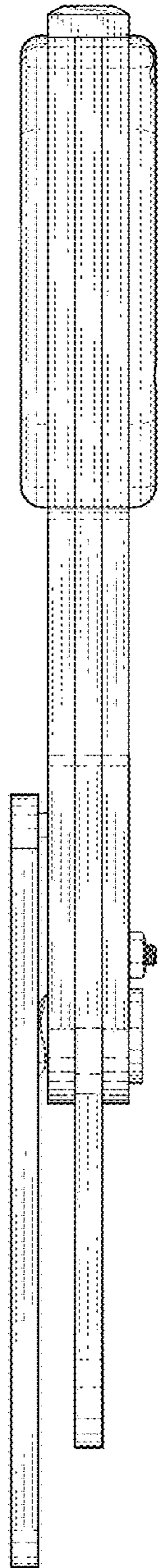


Fig. 5

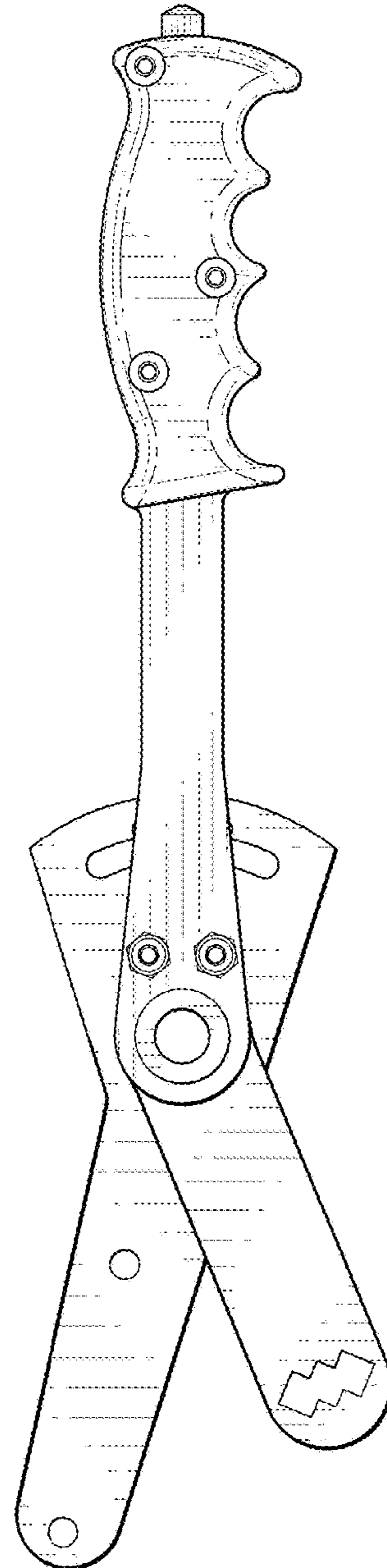


Fig. 6

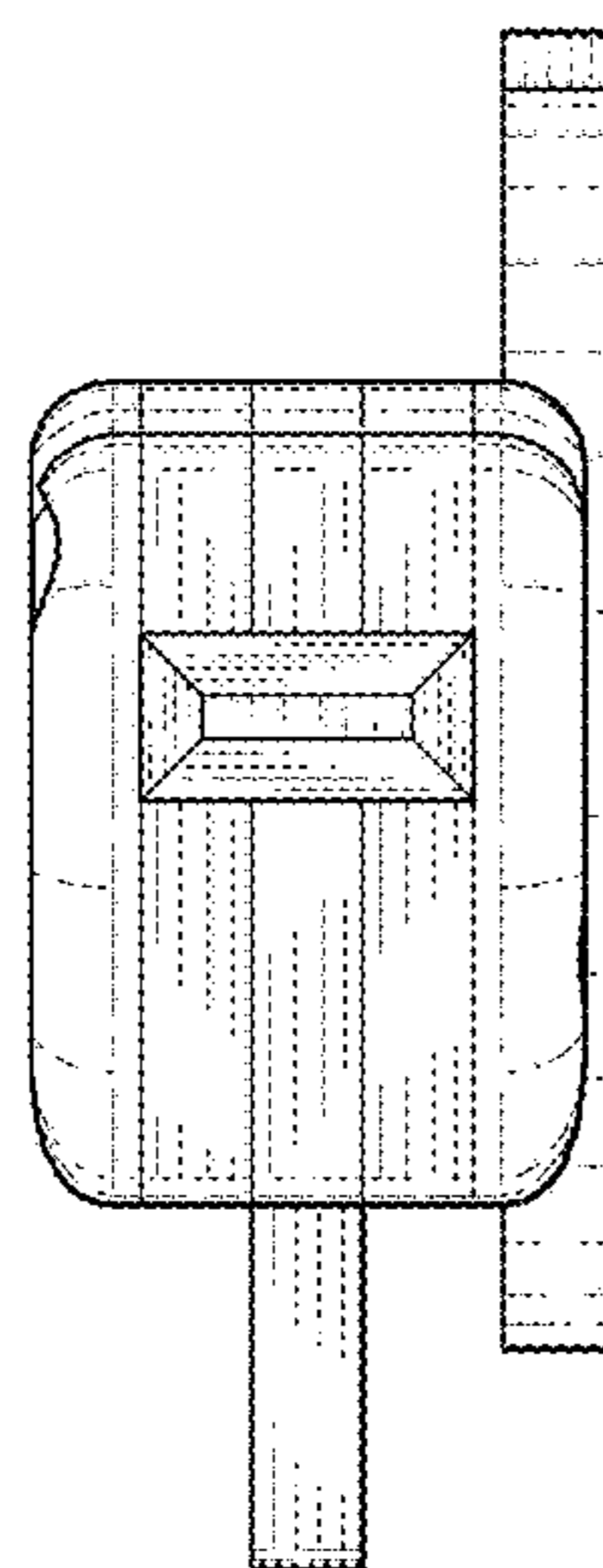


Fig. 7

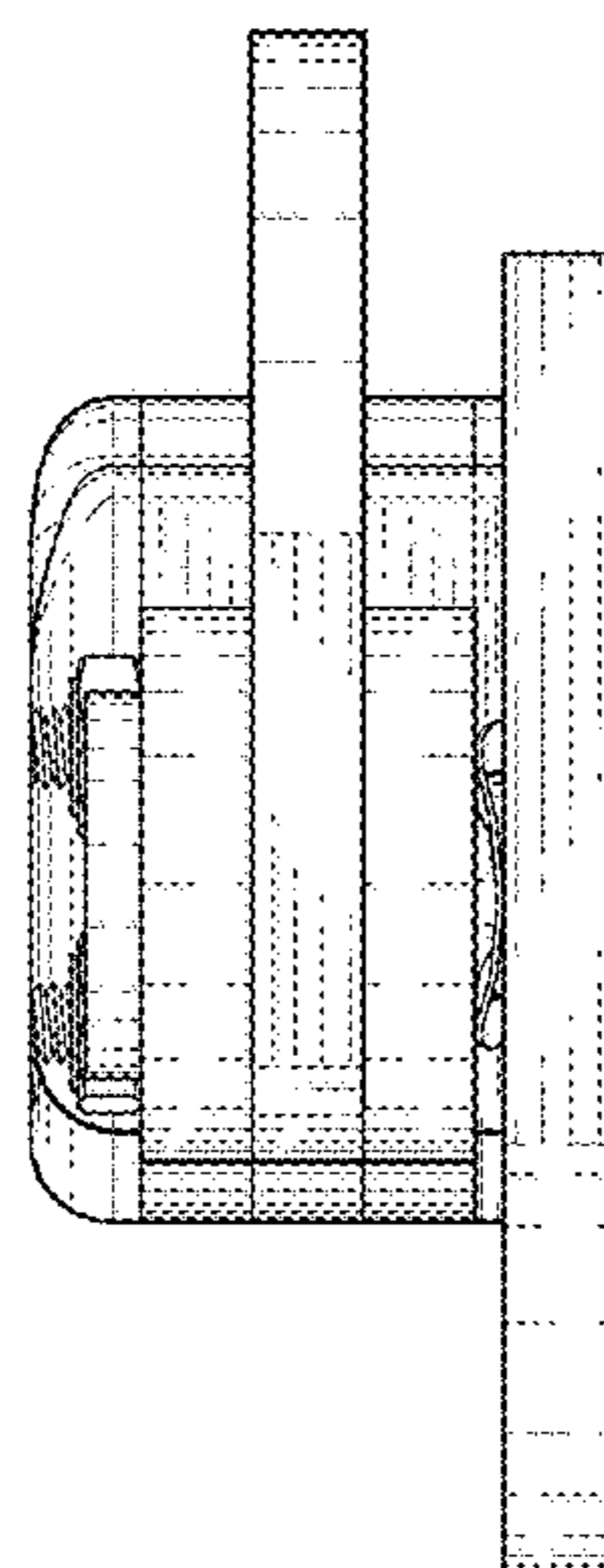


Fig. 8

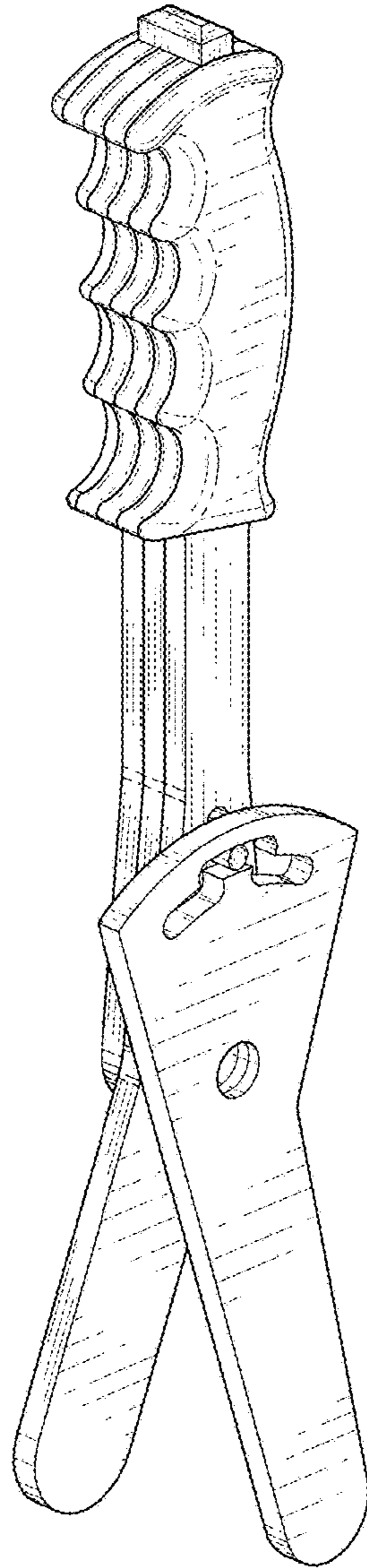


Fig. 9

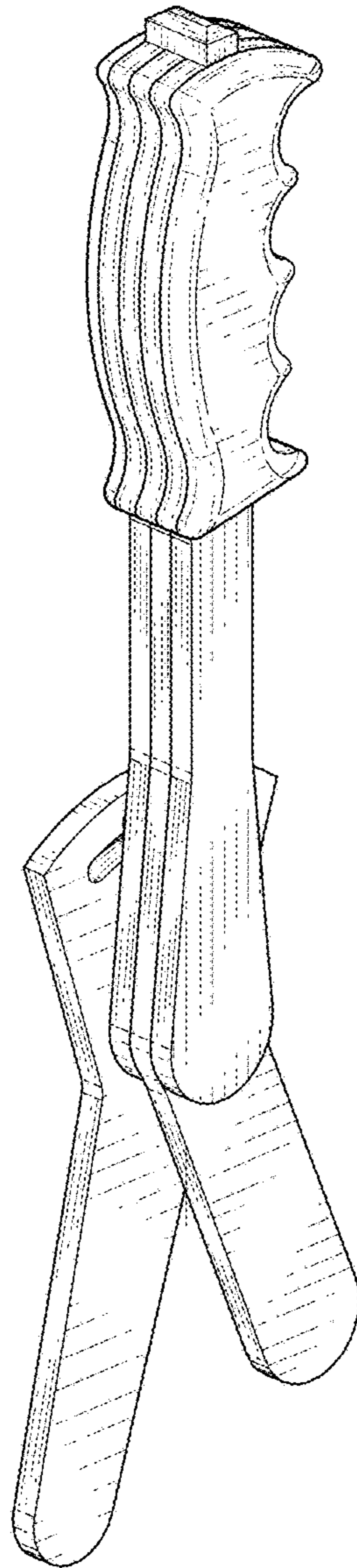


Fig. 10

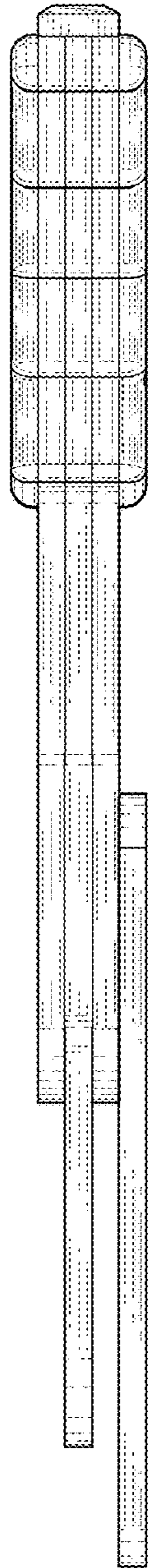


Fig. 11

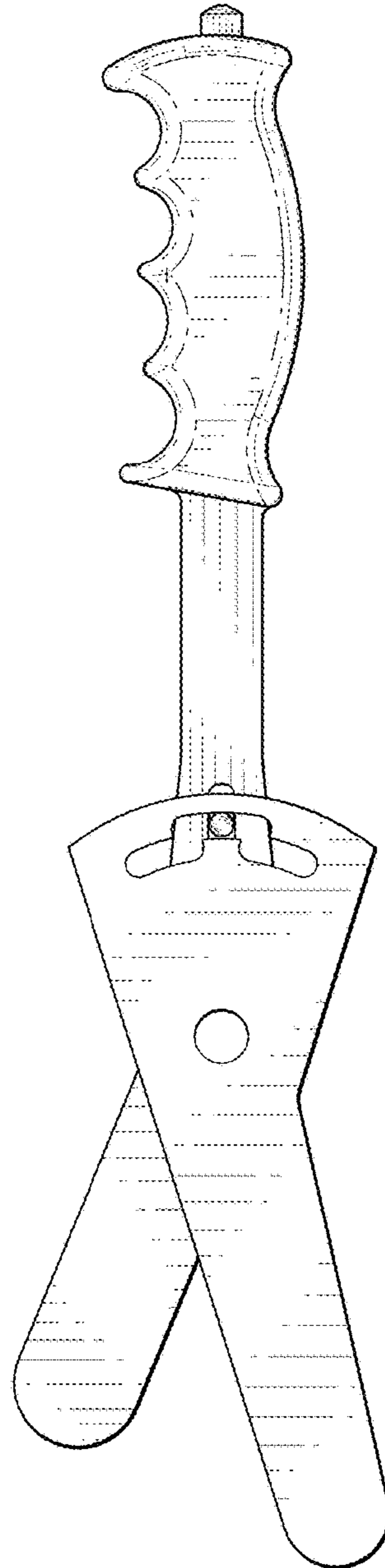


Fig. 12

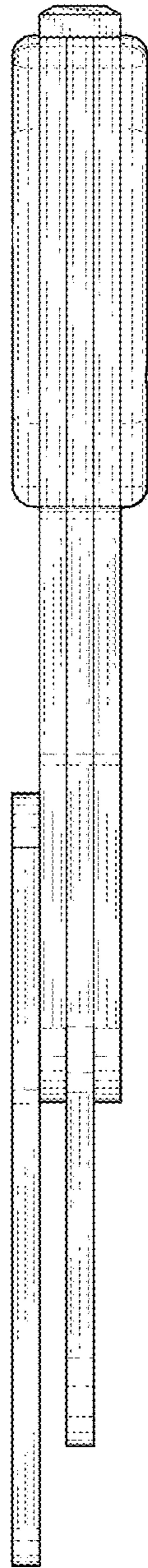


Fig. 13

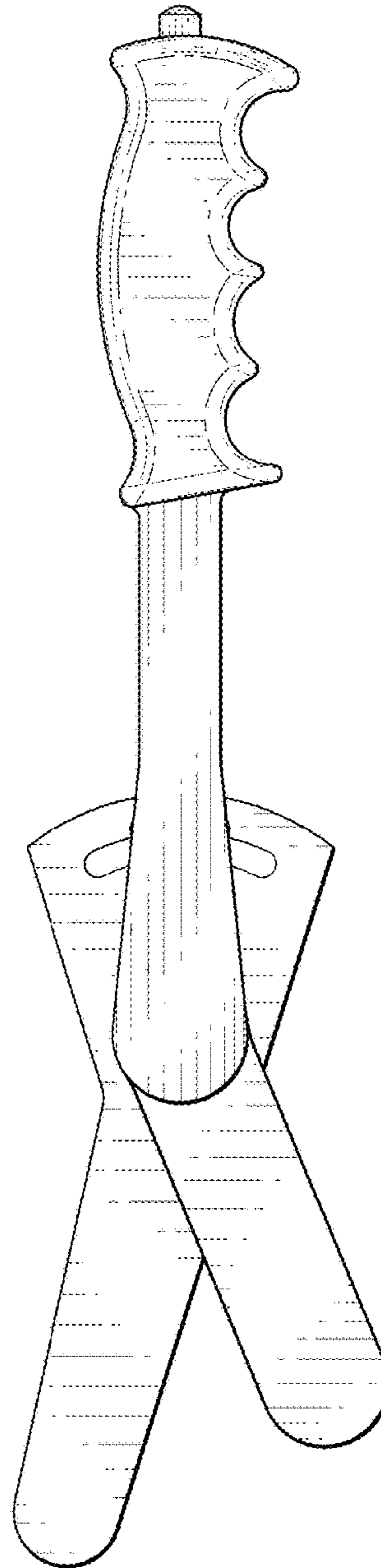


Fig. 14

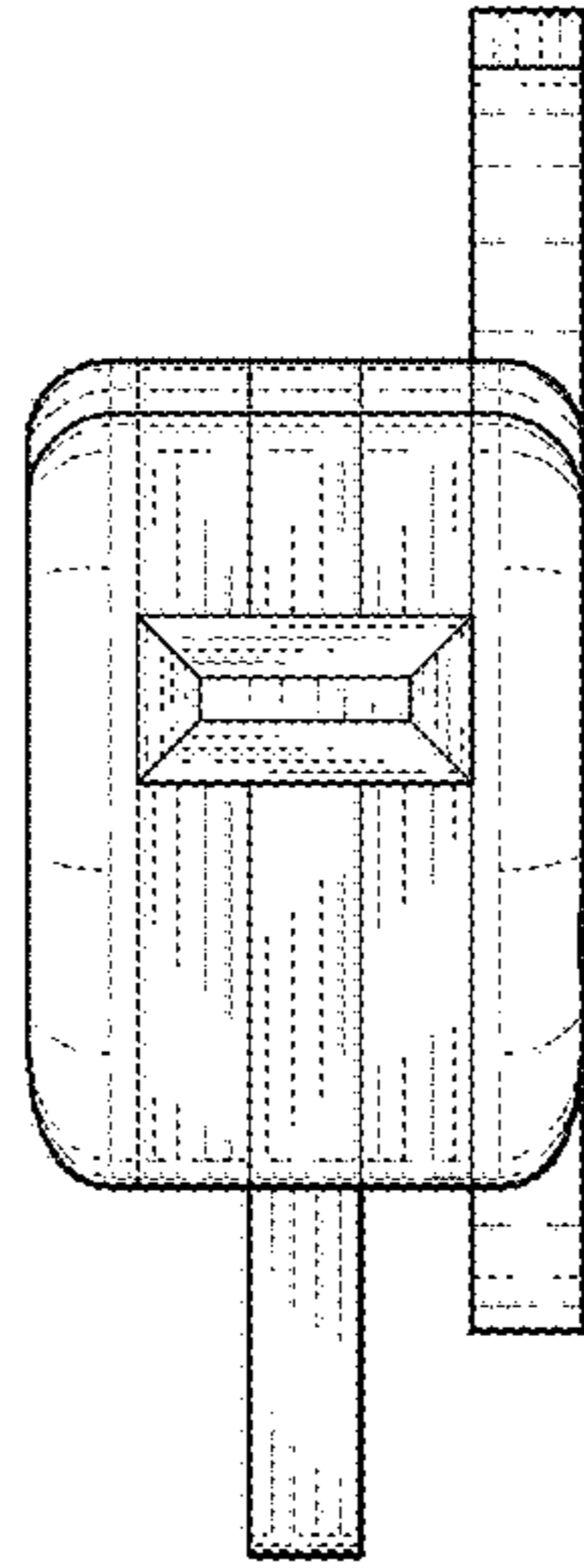


Fig. 15

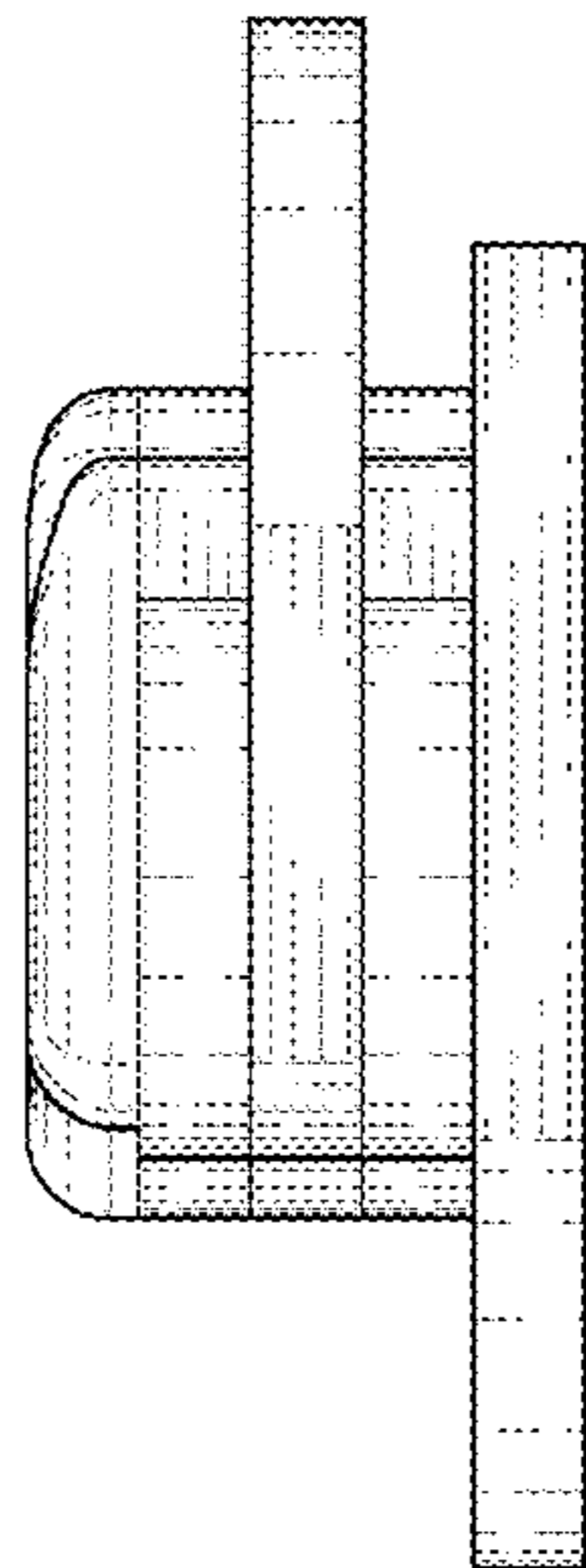


Fig. 16