



US00D851554S

(12) **United States Design Patent**
Anderson et al.

(10) **Patent No.:** **US D851,554 S**
(45) **Date of Patent:** **** Jun. 18, 2019**

- (54) **GRILLE FOR VEHICLE**
- (71) Applicant: **Volvo Lastvagnar AB**, Göteborg (SE)
- (72) Inventors: **Ian Anderson**, Greensboro, NC (US);
Jeff Cotner, Greensboro, NC (US);
Miles Waterhouse, Greensboro, NC (US)
- (73) Assignee: **VOLVO LASTVAGNAR AB**,
Gothenburg (SE)
- (**) Term: **15 Years**
- (21) Appl. No.: **29/647,422**
- (22) Filed: **May 12, 2018**

Related U.S. Application Data

- (62) Division of application No. 29/600,039, filed on Apr. 10, 2017, now Pat. No. Des. 825,405.
- (51) **LOC (11) Cl.** **12-16**
- (52) **U.S. Cl.**
USPC **D12/163**
- (58) **Field of Classification Search**
USPC D12/163, 169, 196, 86, 90-92, 88
CPC B62D 25/08; B60K 11/08; B60R 19/05
See application file for complete search history.

References Cited

U.S. PATENT DOCUMENTS

- D459,684 S * 7/2002 Sakae D12/163
- D472,850 S * 4/2003 Frasher D12/91
- D486,102 S * 2/2004 Perfetti D12/163
- D491,118 S * 6/2004 Matsumoto D12/163
- D494,101 S * 8/2004 Zavatski D12/92

- D500,268 S * 12/2004 Otto D12/163
- D501,808 S * 2/2005 Otto D12/163
- D513,482 S * 1/2006 Hattori D12/163
- D527,317 S * 8/2006 Karikomi D12/163
- D541,194 S * 4/2007 Levy D12/92
- D619,053 S * 7/2010 Mattin D12/163
- D803,730 S * 11/2017 Ito D12/163
- D805,964 S * 12/2017 Whitla D12/163
- D809,978 S * 2/2018 Myrberg D12/163
- D811,954 S * 3/2018 Park D12/163
- D823,184 S * 7/2018 Yates D12/163
- D825,405 S * 8/2018 Anderson D12/163
- D830,240 S * 10/2018 Hallgren D12/163
- D840,880 S * 2/2019 Beaven D12/163

OTHER PUBLICATIONS

Images of Volvo VNL Truck, released 2002, 2 pages.

* cited by examiner

Primary Examiner — Robin V Webster

Assistant Examiner — Rachel A Voorhies

(74) *Attorney, Agent, or Firm* — Tucker Ellis LLP

(57) **CLAIM**

The ornamental design for a grille for vehicle, as shown and described.

DESCRIPTION

FIG. 1 is a perspective view of a grille for vehicle showing our new design.

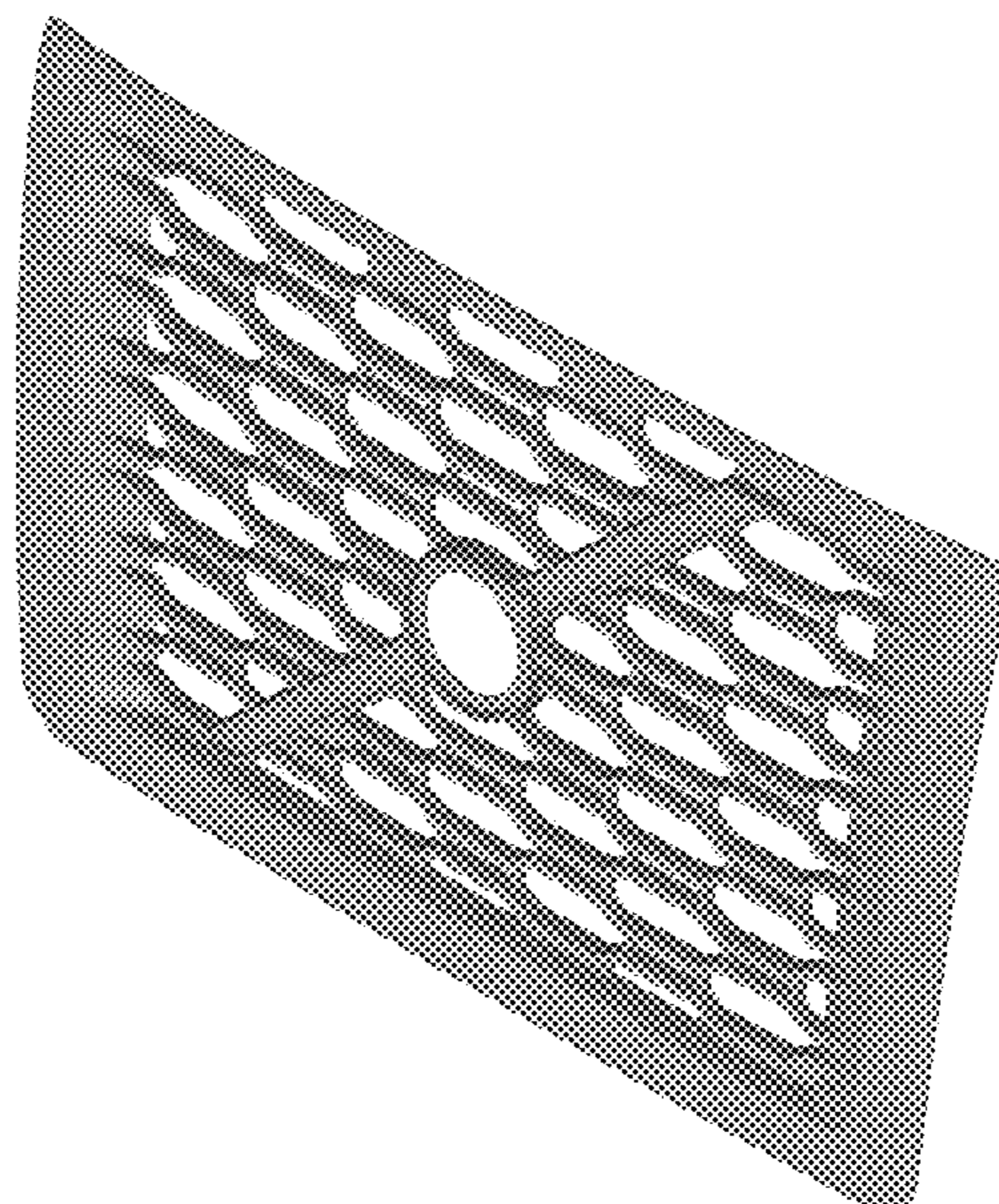
FIG. 2 is a front view thereof.

FIG. 3 is a right side view thereof.

FIG. 4 is a left side view thereof; and,

FIG. 5 is a top view thereof.

1 Claim, 3 Drawing Sheets



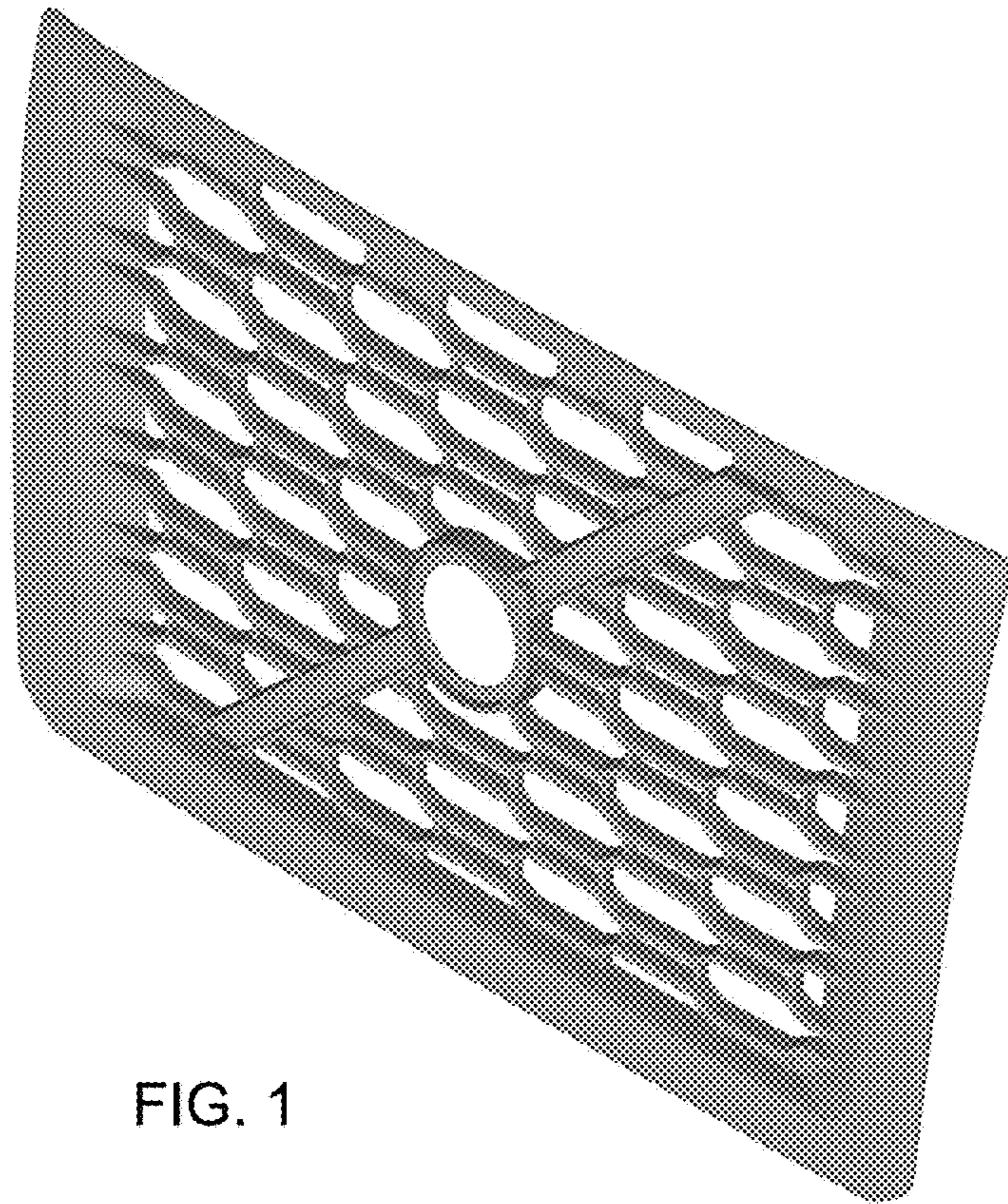


FIG. 1

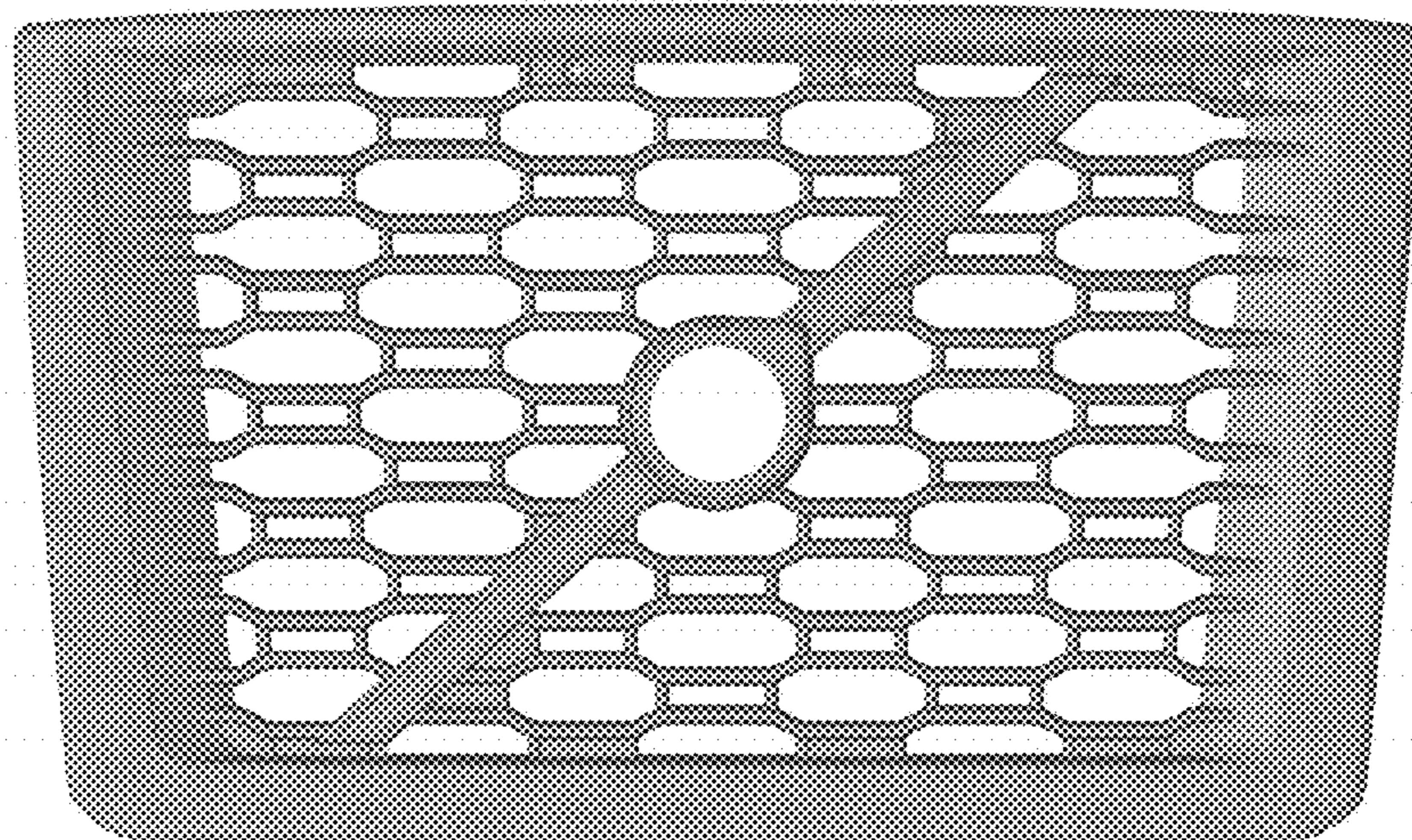


FIG. 2

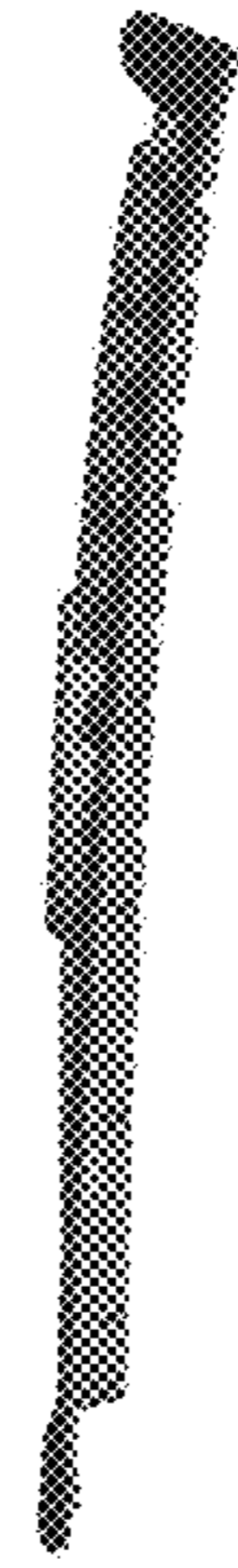


FIG. 3

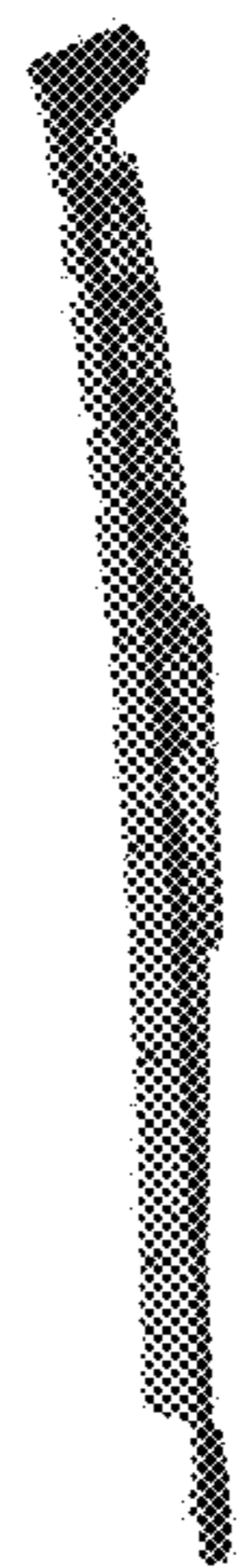


FIG. 4



FIG. 5