



US00D851545S

(12) **United States Design Patent**
McCuskey

(10) **Patent No.:** **US D851,545 S**
(45) **Date of Patent:** **** Jun. 18, 2019**

(54) **TRAILER HITCH ATTACHMENT**
(71) Applicant: **Scott McCuskey**, Boardman, OH (US)
(72) Inventor: **Scott McCuskey**, Boardman, OH (US)
(**) Term: **15 Years**
(21) Appl. No.: **29/623,685**
(22) Filed: **Oct. 26, 2017**
(51) **LOC (11) Cl.** **12-16**
(52) **U.S. Cl.**
USPC **D12/162**
(58) **Field of Classification Search**
CPC . B60D 1/60; B60D 1/065; B60D 1/00; B60D
1/06
See application file for complete search history.

D794,515 S * 8/2017 McCuskey D12/162
D794,516 S * 8/2017 Siegel D12/162
D795,756 S * 8/2017 McCuskey B60D 1/06
D12/162
D797,008 S * 9/2017 Borkholder B66C 1/34
D12/162
D832,156 S * 10/2018 Johns D12/162
D832,749 S * 11/2018 McCuskey B60D 1/06
D12/162
D834,464 S * 11/2018 Cincunegui D12/162
D841,526 S * 2/2019 Siegel D12/162

* cited by examiner

Primary Examiner — Katrina A Betton
(74) *Attorney, Agent, or Firm* — Harpman & Harpman

(57) **CLAIM**

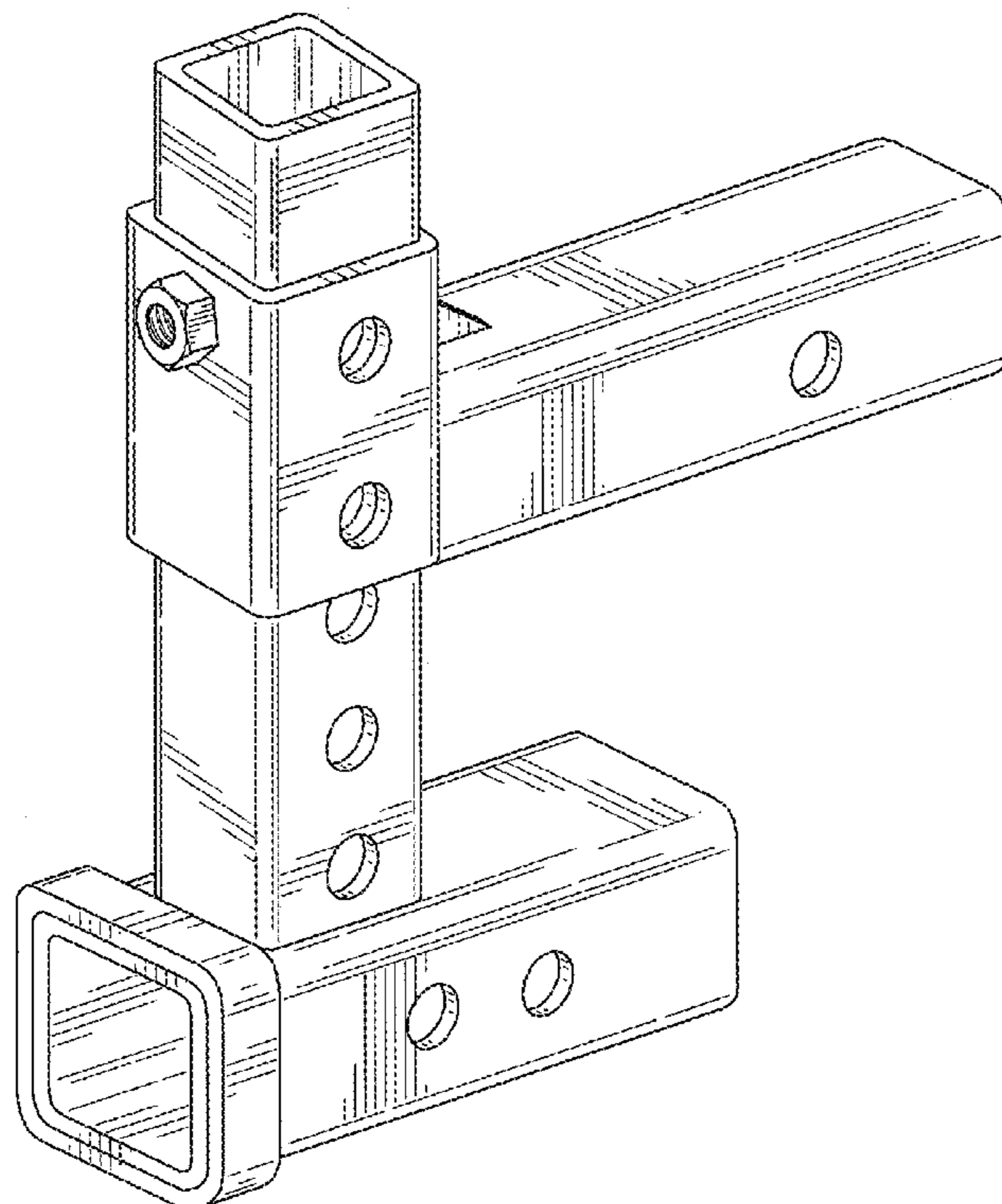
The ornamental design for a trailer hitch attachment, as shown and described.

DESCRIPTION

FIG. 1 is a perspective front, left side and top view of the trailer hitch attachment.
FIG. 2 is a left side elevational view thereof.
FIG. 3 is a right side elevational view thereof.
FIG. 4 is a top plan view thereof.
FIG. 5 is a rear elevational view thereof; and,
FIG. 6 is a bottom plan view thereof.

1 Claim, 3 Drawing Sheets

(56) **References Cited**
U.S. PATENT DOCUMENTS
D697,838 S * 1/2014 Borkholder B60R 9/06
D12/162
D699,098 S * 2/2014 Fretz D8/367
D727,803 S * 4/2015 Borkholder F16B 45/02
D12/162
D729,703 S * 5/2015 Song D12/162
D790,408 S * 6/2017 Wymore D12/162



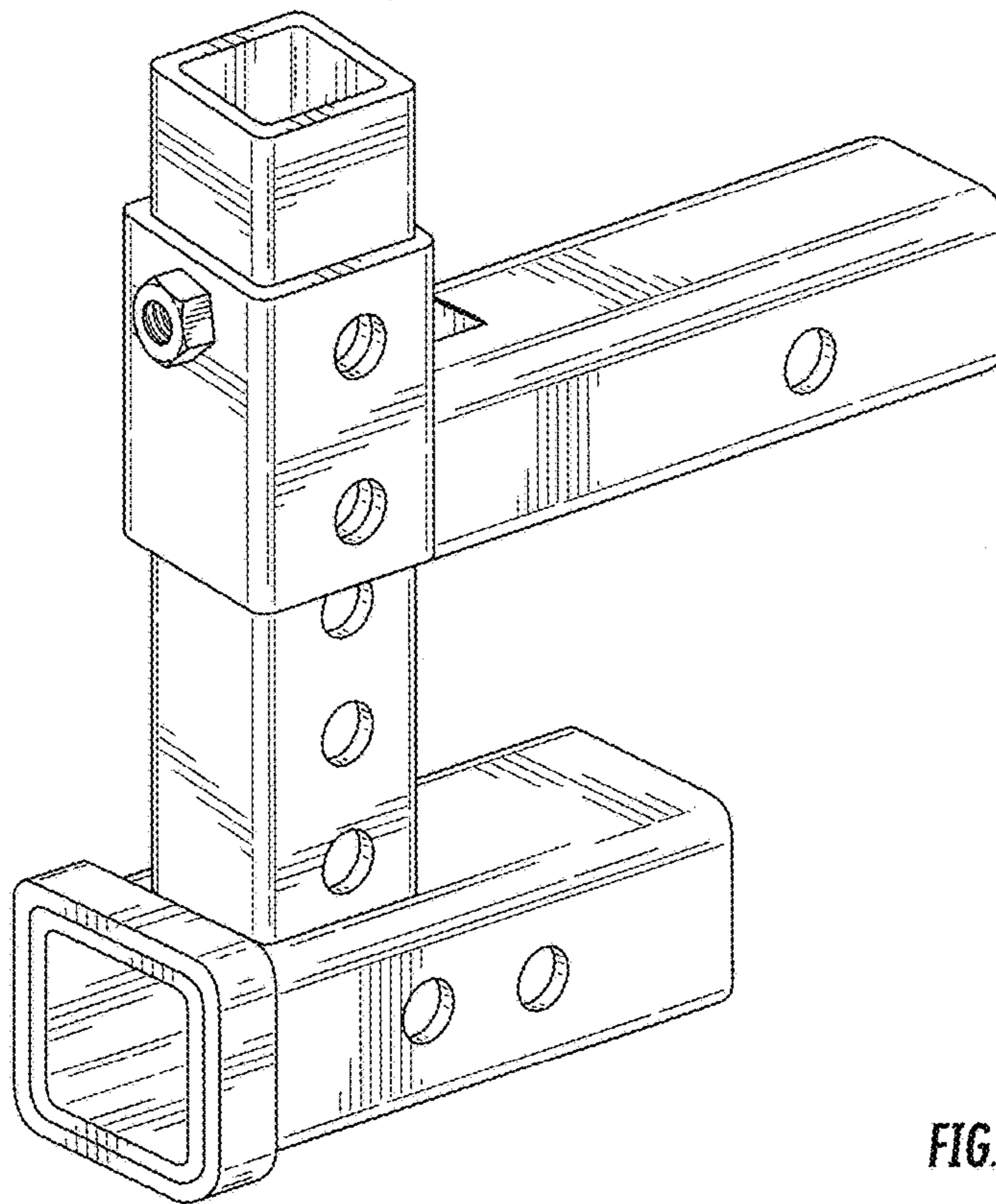


FIG. 1

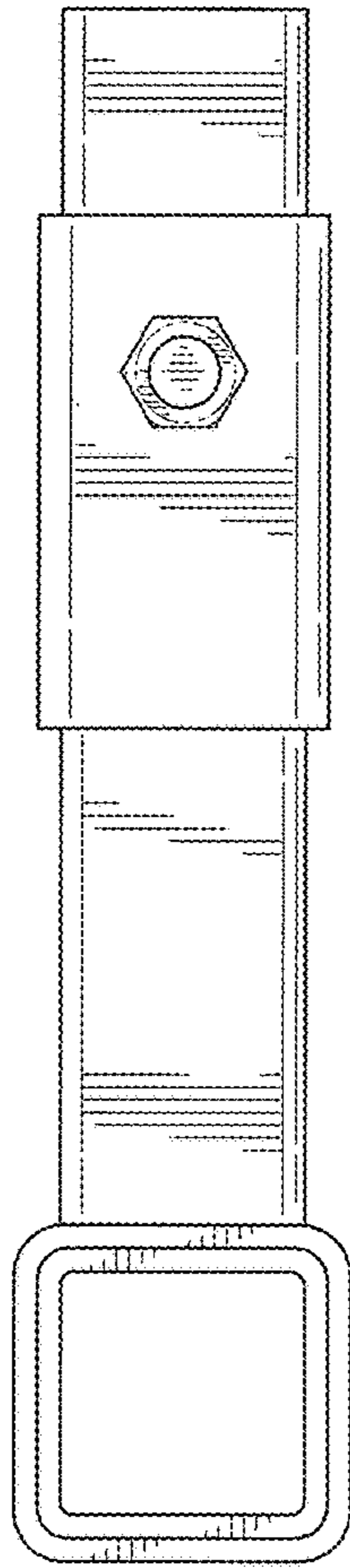


FIG. 2

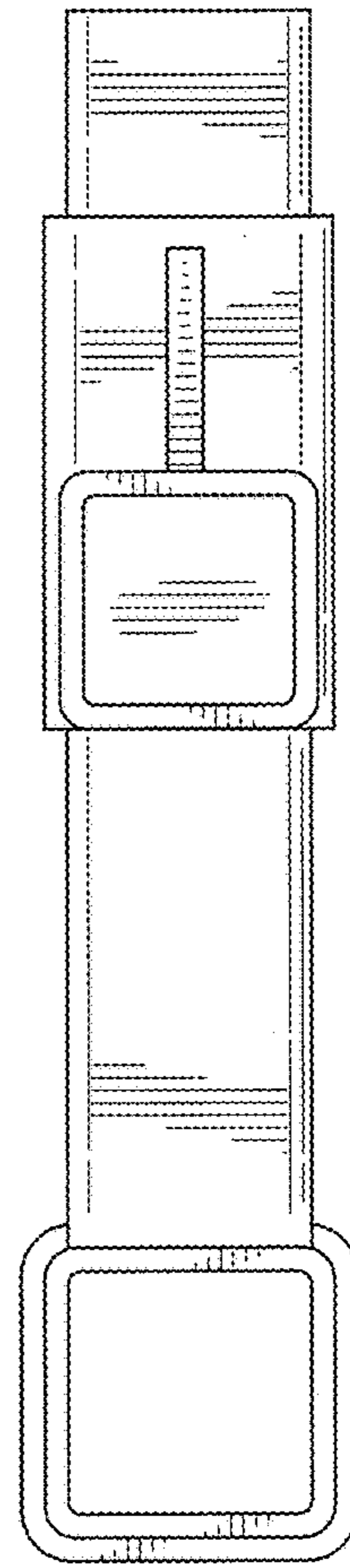


FIG. 3

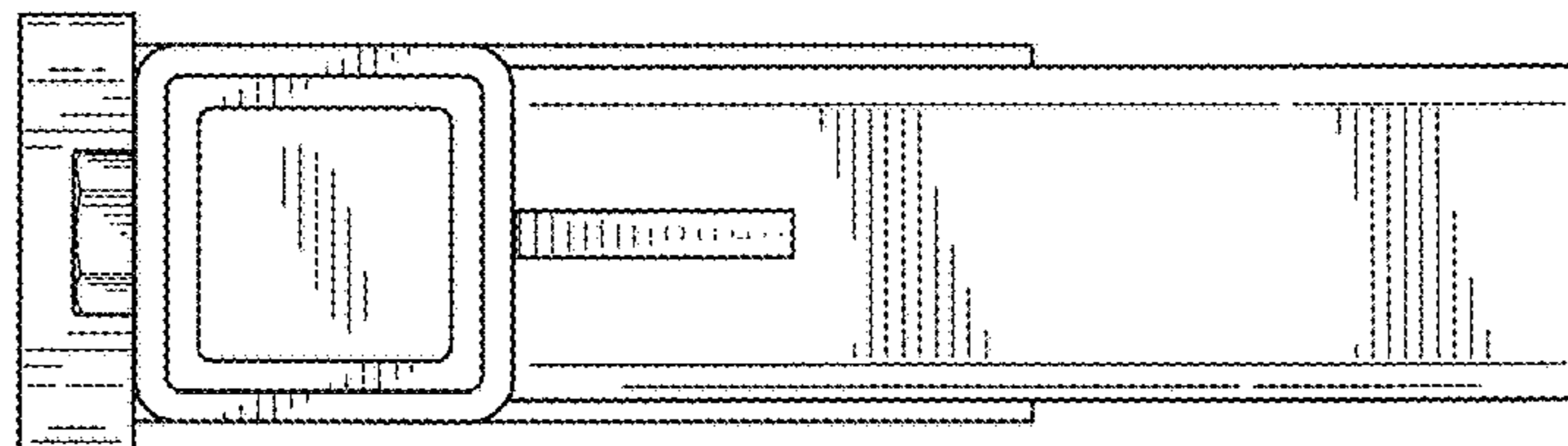


FIG. 4

