



US00D851543S

(12) **United States Design Patent**
Janeczek et al.

(10) **Patent No.:** **US D851,543 S**
(45) **Date of Patent:** **** Jun. 18, 2019**

(54) **STROLLER ROLLATOR**

DESCRIPTION

- (71) Applicant: **MORE JOYFUL LIVING, LLC**,
Hershey, PA (US)
- (72) Inventors: **Jane Leader Janeczek**, Hershey, PA
(US); **Theodore Janeczek**, Hershey, PA
(US); **David Celento**, Pittsburgh, PA
(US)
- (73) Assignee: **MORE JOYFUL LIVING, LLC**,
Hershey, PA (US)
- (**) Term: **15 Years**
- (21) Appl. No.: **29/614,416**
- (22) Filed: **Aug. 18, 2017**
- (51) **LOC (11) Cl.** **12-12**
- (52) **U.S. Cl.**
USPC **D12/130**
- (58) **Field of Classification Search**
USPC **D12/128-133**

(Continued)

(56) **References Cited**

U.S. PATENT DOCUMENTS

- 1,448,783 A 3/1923 Blewitt
- 1,942,112 A 1/1934 Mcquilkin

(Continued)

FOREIGN PATENT DOCUMENTS

WO WO2014074415 A1 5/2014

Primary Examiner — Charles D Hanson

(74) *Attorney, Agent, or Firm* — McNeas Wallace &
Nurick LLC

(57) **CLAIM**

The ornamental design for a stroller rollator, as shown and described.

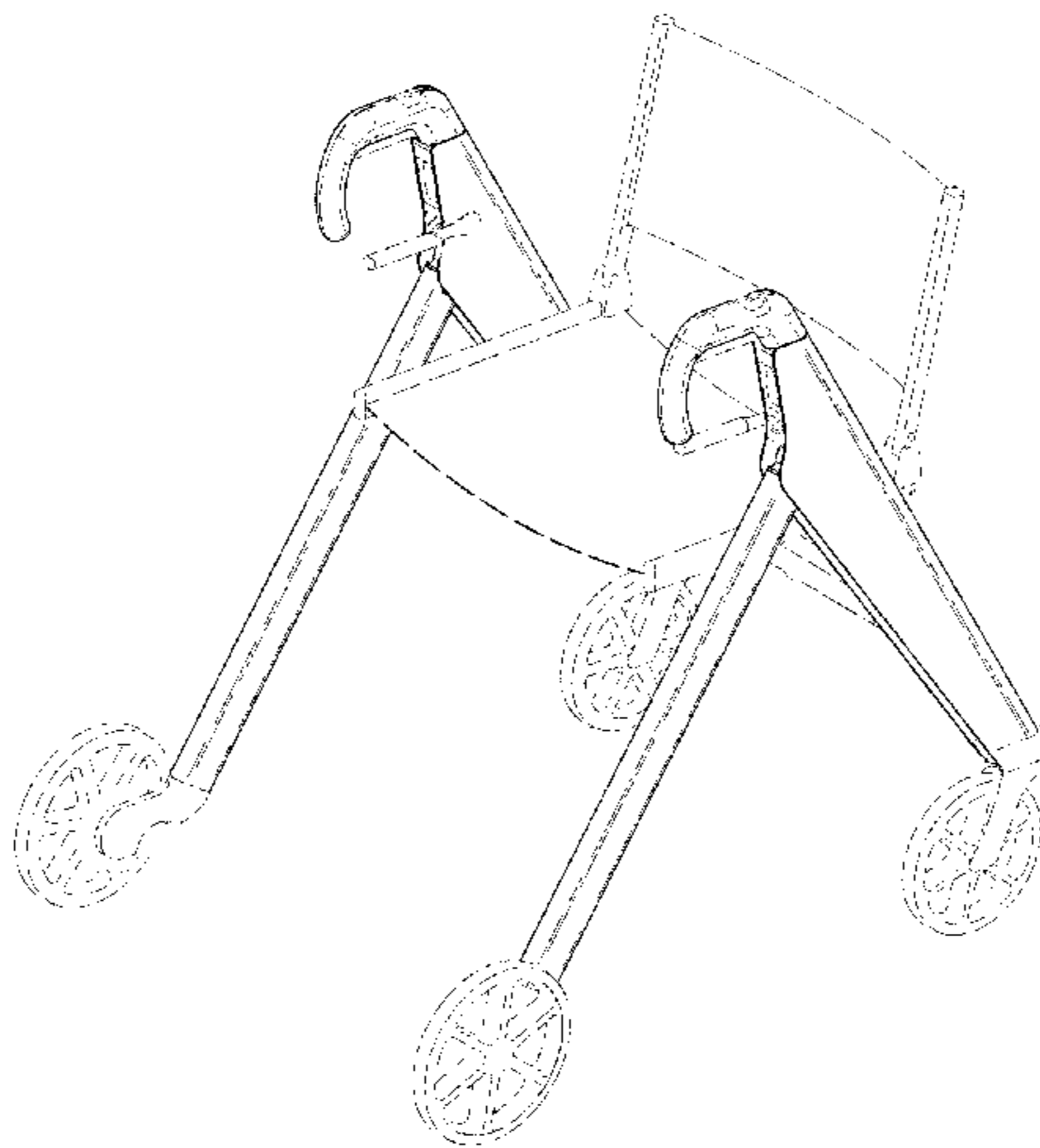
Cross-reference to related application U.S. Utility application Ser. No. 15/680,674 filed Aug. 18, 2017, is hereby incorporated as if fully reproduced herein.

FIG. 1 is a top-front-left perspective view of a stroller rollator in an expanded configuration, showing the design; FIG. 2 is a bottom-rear-right perspective view of the stroller rollator of FIG. 1 in an expanded configuration; FIG. 3 is a bottom view of the stroller rollator of FIG. 1 in an expanded configuration; FIG. 4 is a rear view of the stroller rollator of FIG. 1 in an expanded configuration; FIG. 5 is a right view of the stroller rollator of FIG. 1 in an expanded configuration; FIG. 6 is a front view of the stroller rollator of FIG. 1 in an expanded configuration; FIG. 7 is a left view of the stroller rollator of FIG. 1 in an expanded configuration; and FIG. 8 is a top view of the stroller rollator of FIG. 1 in an expanded configuration.

FIG. 9 is a top-front-left perspective view of the stroller rollator of FIG. 1 in a collapsed configuration; FIG. 10 is a bottom-rear-right perspective view of the stroller rollator of FIG. 1 in a collapsed configuration; FIG. 11 is a bottom view of the stroller rollator of FIG. 1 in a collapsed configuration; FIG. 12 is a rear view of the stroller rollator of FIG. 1 in a collapsed configuration; FIG. 13 is a right view of the stroller rollator of FIG. 1 in a collapsed configuration; FIG. 14 is a front view of the stroller rollator of FIG. 1 in a collapsed configuration; FIG. 15 is a left view of the stroller rollator of FIG. 1 in a collapsed configuration; and, FIG. 16 is a top view of the stroller rollator of FIG. 1 in a collapsed configuration.

The broken line drawings are for illustrative purposes only and form no part of the claimed design.

1 Claim, 10 Drawing Sheets



(58) **Field of Classification Search**
 CPC A61H 3/00; A61H 3/04; A61H
 2003/001–2003/007; A61H 2003/043;
 A61H 2003/046
 See application file for complete search history.

(56) **References Cited**
 U.S. PATENT DOCUMENTS

2,485,016 A	10/1949	Rideout	7,219,906 B2	5/2007	Hallgrimsson et al.
2,810,429 A	10/1957	Lane	D560,563 S *	1/2008	Fransson D12/130
3,736,021 A	5/1973	MacLaren	7,370,734 B2	5/2008	Hallgrimsson
3,840,034 A	10/1974	Smith	7,377,285 B2	5/2008	Karasin et al.
4,211,309 A	7/1980	Ruggiero	7,481,445 B1	1/2009	Danziger
4,245,849 A	1/1981	Thiboutot	D623,559 S	9/2010	Yamamoto et al.
4,643,211 A	2/1987	Morris et al.	7,837,208 B2	11/2010	Willis
4,700,730 A	10/1987	Samuelson et al.	8,215,652 B2	7/2012	Dashew et al.
4,748,994 A	6/1988	Schultz et al.	8,240,437 B2	8/2012	Liljedahl
4,907,794 A	3/1990	Rose	8,434,780 B2	5/2013	Li
4,907,839 A	3/1990	Rose et al.	8,439,376 B2	5/2013	Willis et al.
4,962,781 A	10/1990	Kanbar	8,454,048 B1	6/2013	Regan et al.
5,188,138 A	2/1993	Yamasaki et al.	8,511,694 B2	8/2013	Bradshaw et al.
5,348,336 A	9/1994	Fernie et al.	8,534,683 B2	9/2013	Lautzenhiser et al.
D360,174 S	7/1995	Kjell et al.	8,596,658 B1	12/2013	Dashew et al.
5,605,345 A	2/1997	Erfurth et al.	D699,634 S *	2/2014	Wu D12/130
D385,233 S	10/1997	Doyle et al.	8,678,425 B2	3/2014	Schaaper et al.
5,716,063 A	2/1998	Doyle et al.	8,708,363 B1	4/2014	Chang
5,816,593 A	10/1998	Che	8,840,124 B2	9/2014	Serhan et al.
6,311,708 B1	11/2001	Howie	8,840,125 B2	9/2014	Huang
6,338,355 B1	1/2002	Cheng	D721,620 S *	1/2015	Huang D12/130
6,378,663 B1	4/2002	Lee	8,936,262 B2	1/2015	Nabeta
6,659,478 B2	12/2003	Hallgrimsson et al.	8,998,223 B2 *	4/2015	Chang F16D 59/02 188/20
D501,432 S *	2/2005	Møller D12/130	D728,920 S	5/2015	Touhey et al.
D503,909 S	4/2005	Tolfsen et al.	9,173,802 B2	11/2015	Willis
7,000,938 B2	2/2006	Watkins	D754,568 S *	4/2016	Wang D12/130
7,001,313 B1	2/2006	Crnkovich	D766,139 S *	9/2016	Chen D12/130
7,017,936 B2	3/2006	Huang	D789,255 S *	6/2017	Delatorre D12/130
D519,423 S	4/2006	Tolfsen	D798,778 S *	10/2017	Lin D12/130
7,179,200 B1	2/2007	Wu	D801,231 S *	10/2017	Wang D12/130
7,182,179 B2	2/2007	Tolfsen	D807,793 S *	1/2018	Paterson D12/130
			2003/0151232 A1	8/2003	Li
			2010/0313924 A1	12/2010	Cho
			2012/0090926 A1	4/2012	Dunlap
			2013/0062845 A1	3/2013	Huang
			2014/0084559 A1	3/2014	Fang
			2015/0048598 A1	2/2015	Freeman
			2015/0075575 A1	3/2015	Karlovich
			2015/0297439 A1	10/2015	Karlovich

* cited by examiner

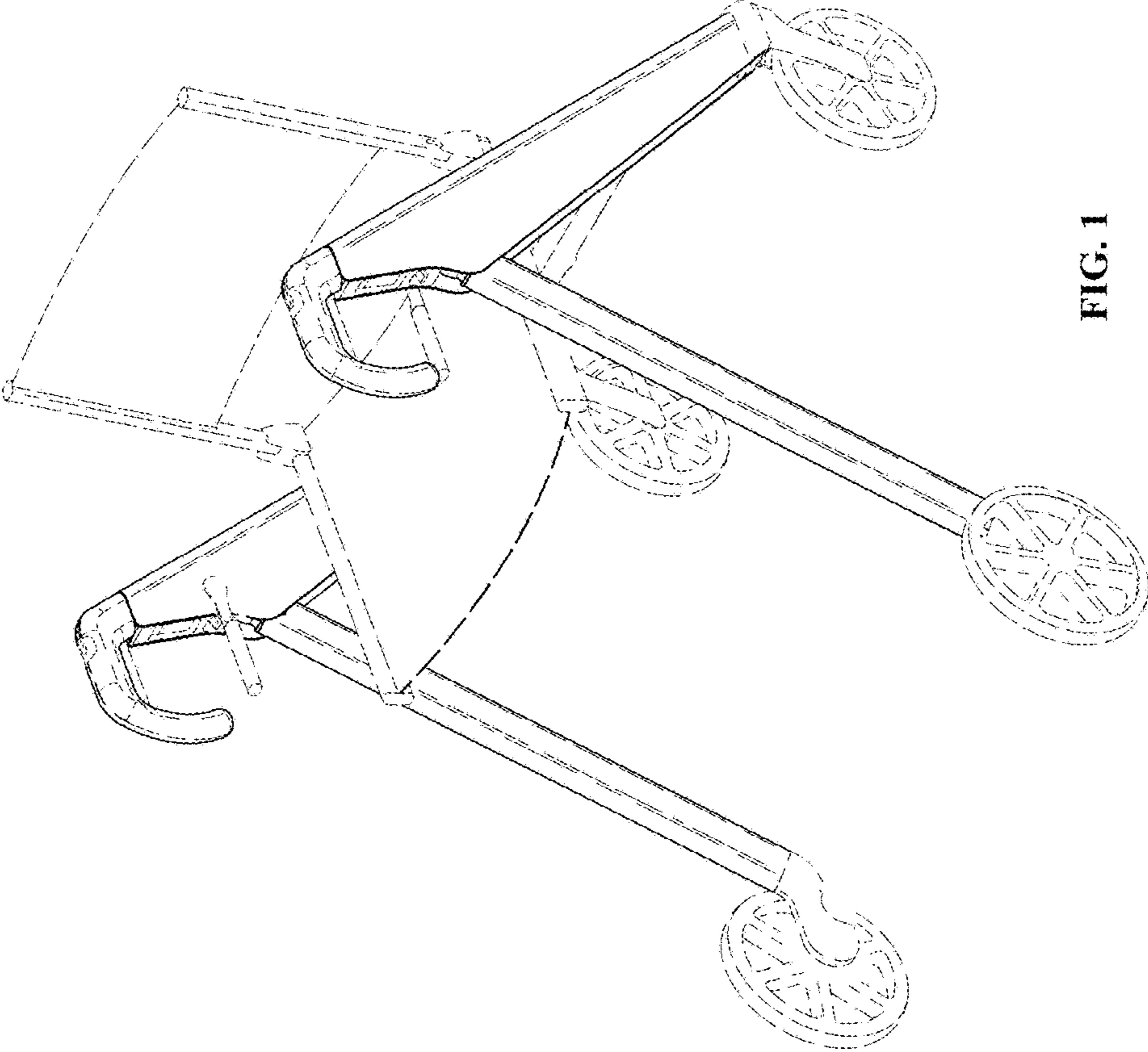


FIG. 1

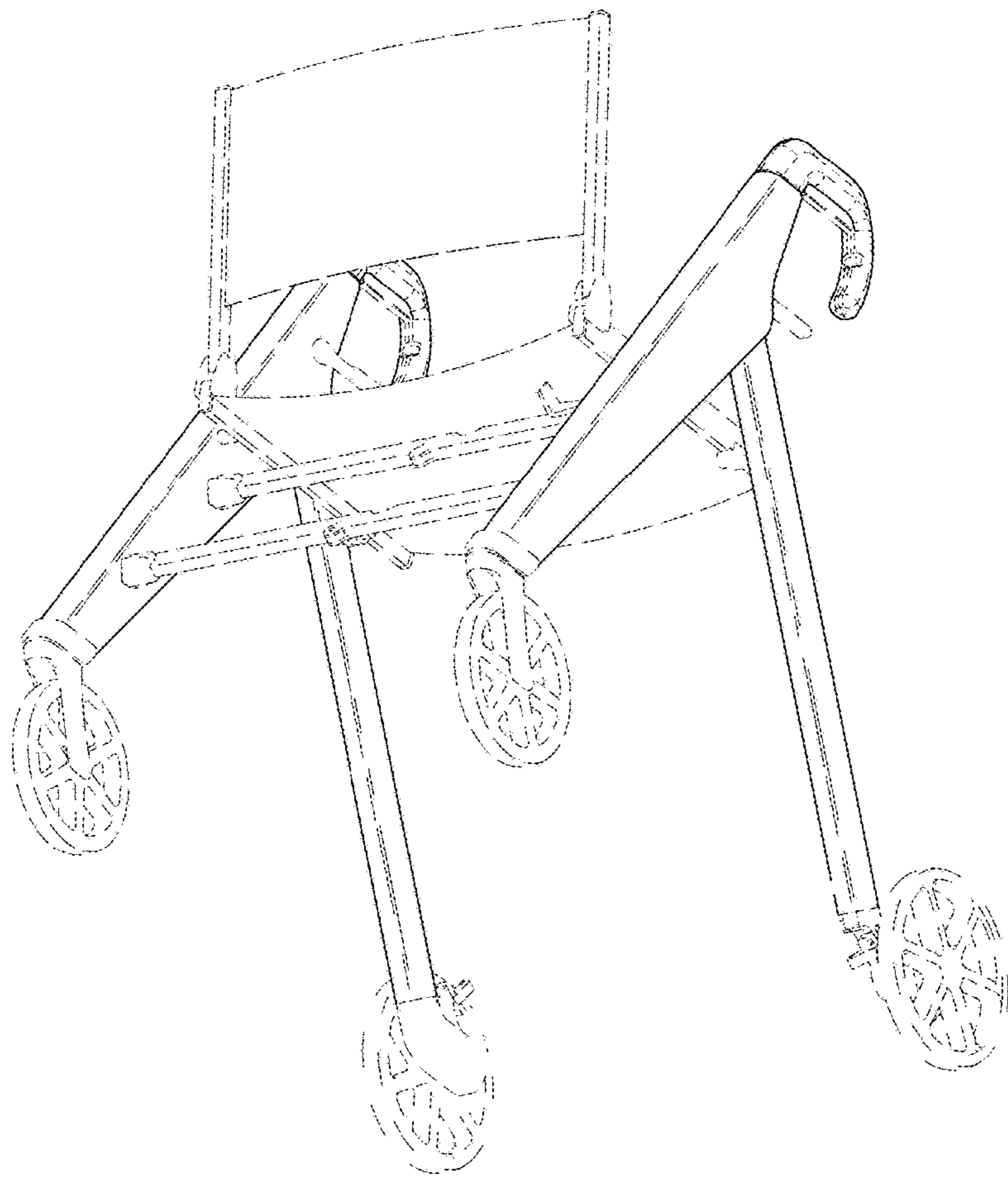


FIG. 2

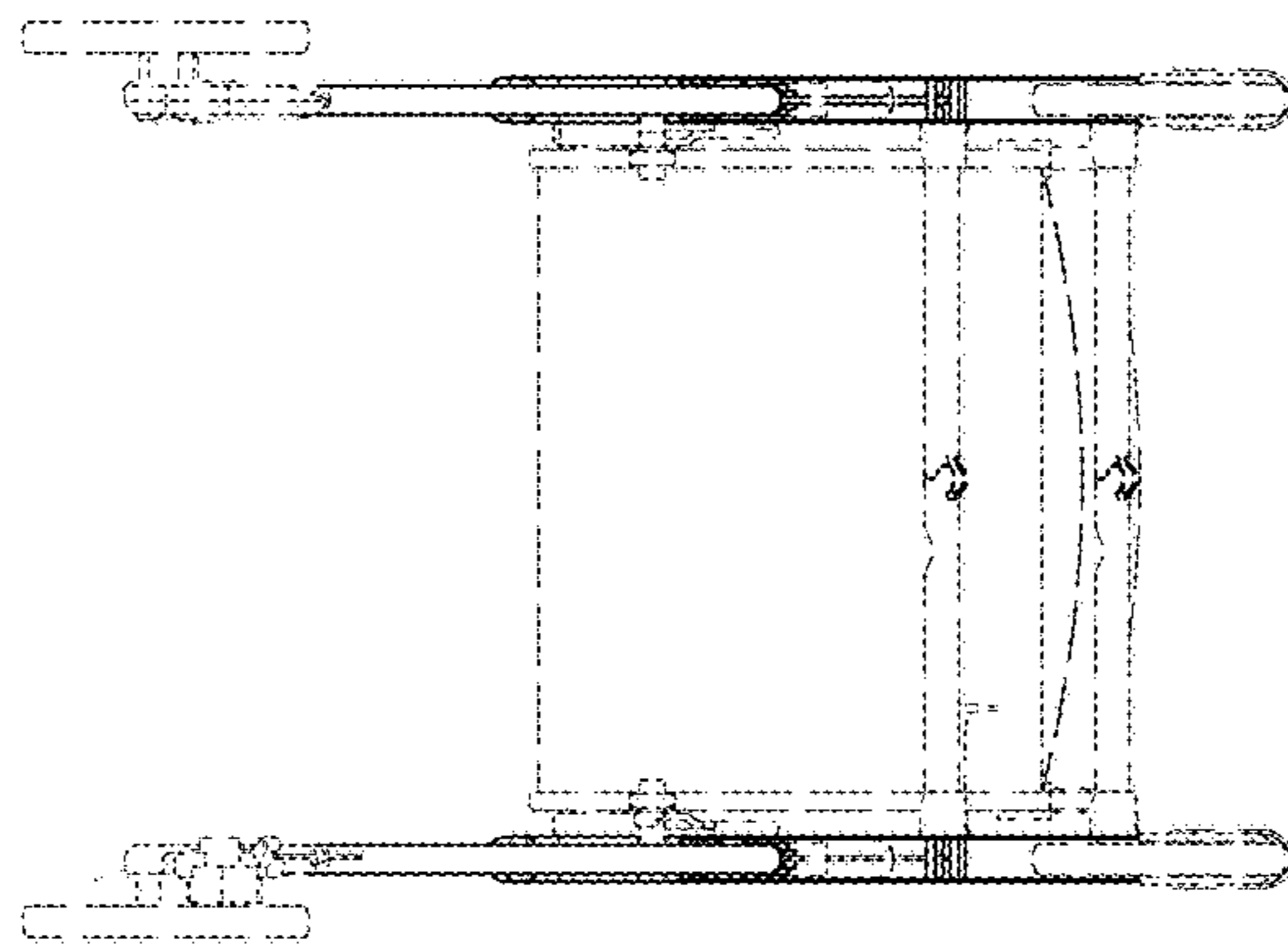


FIG. 3

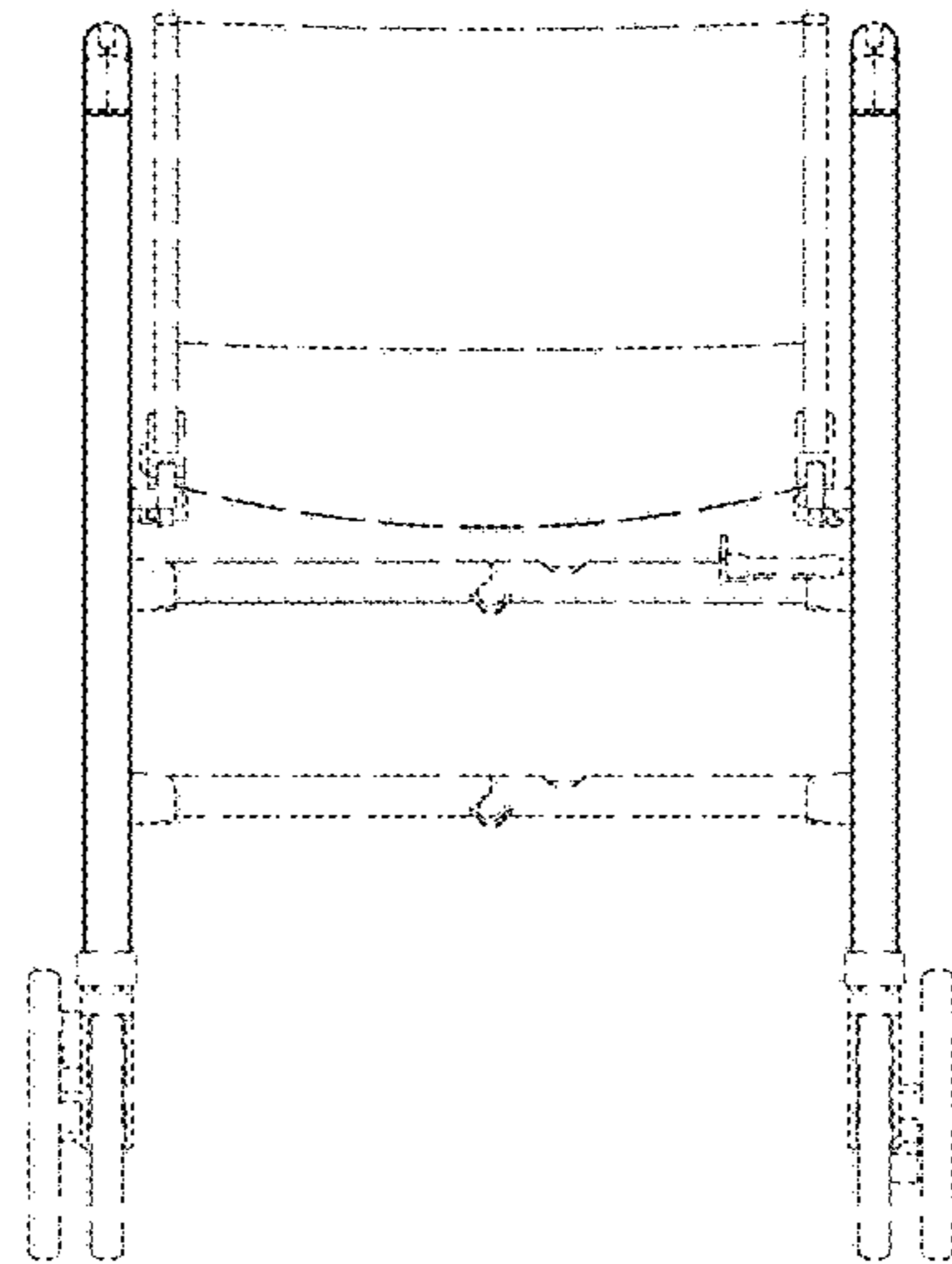


FIG. 4

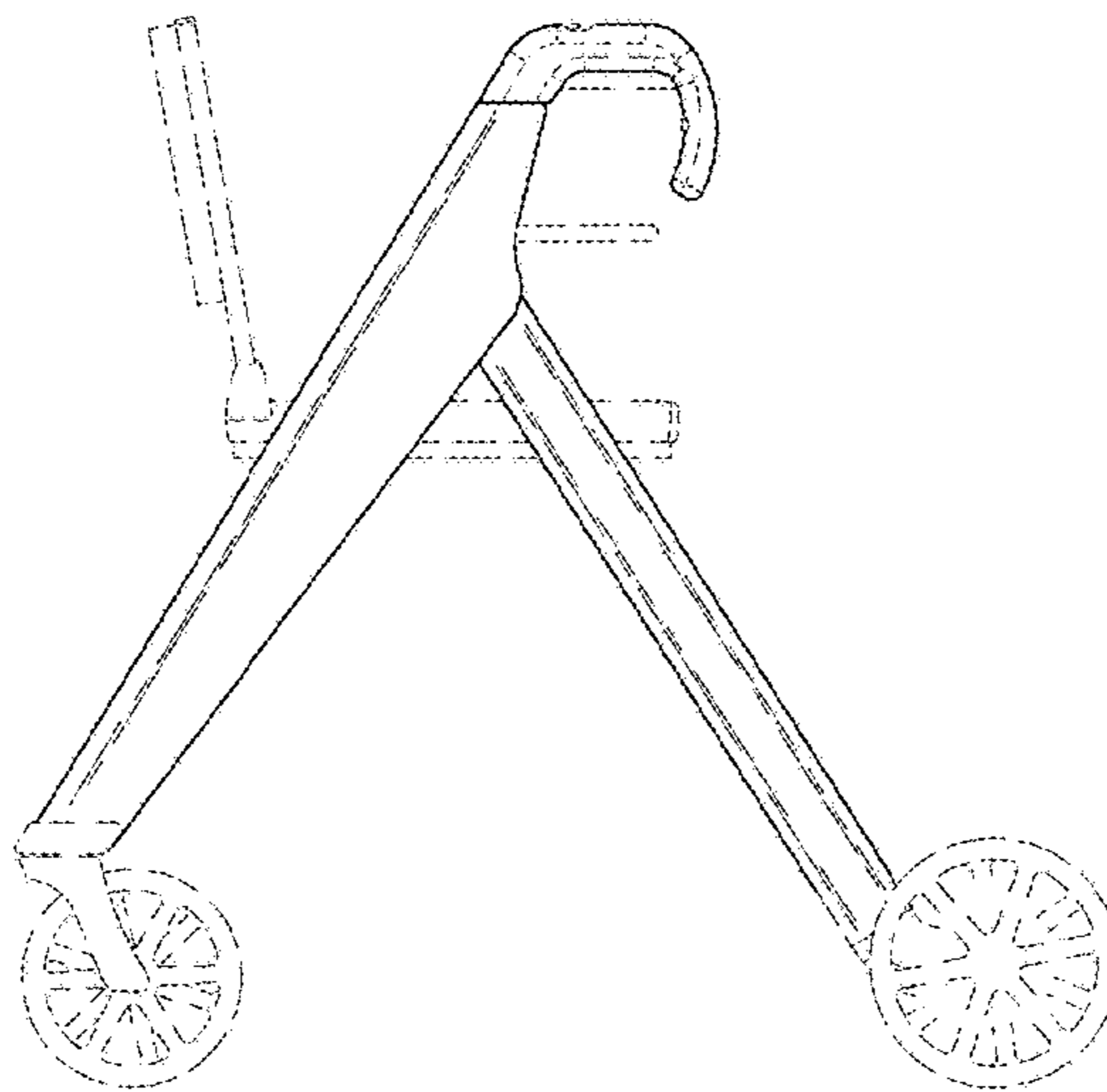


FIG. 5

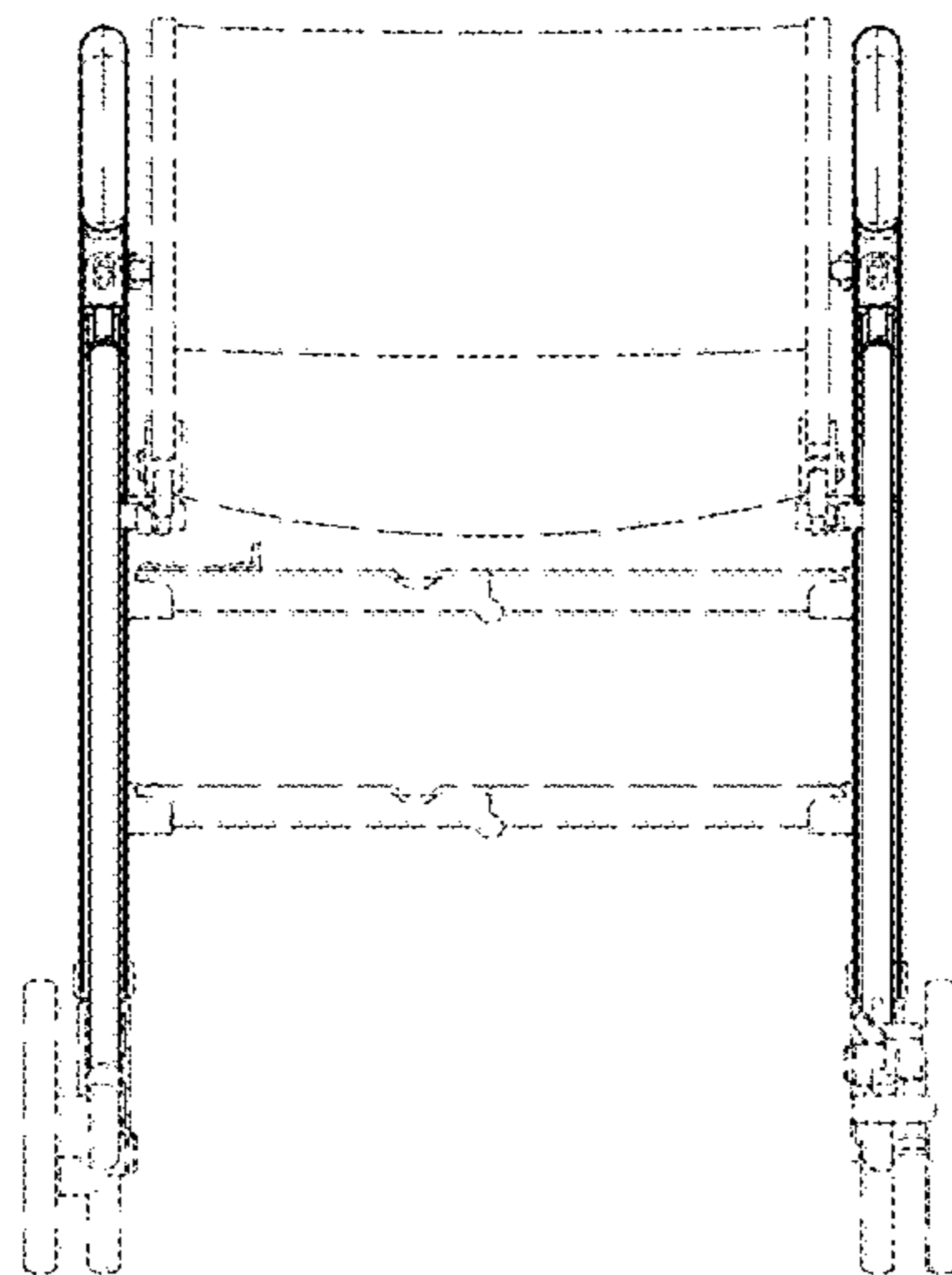


FIG. 6

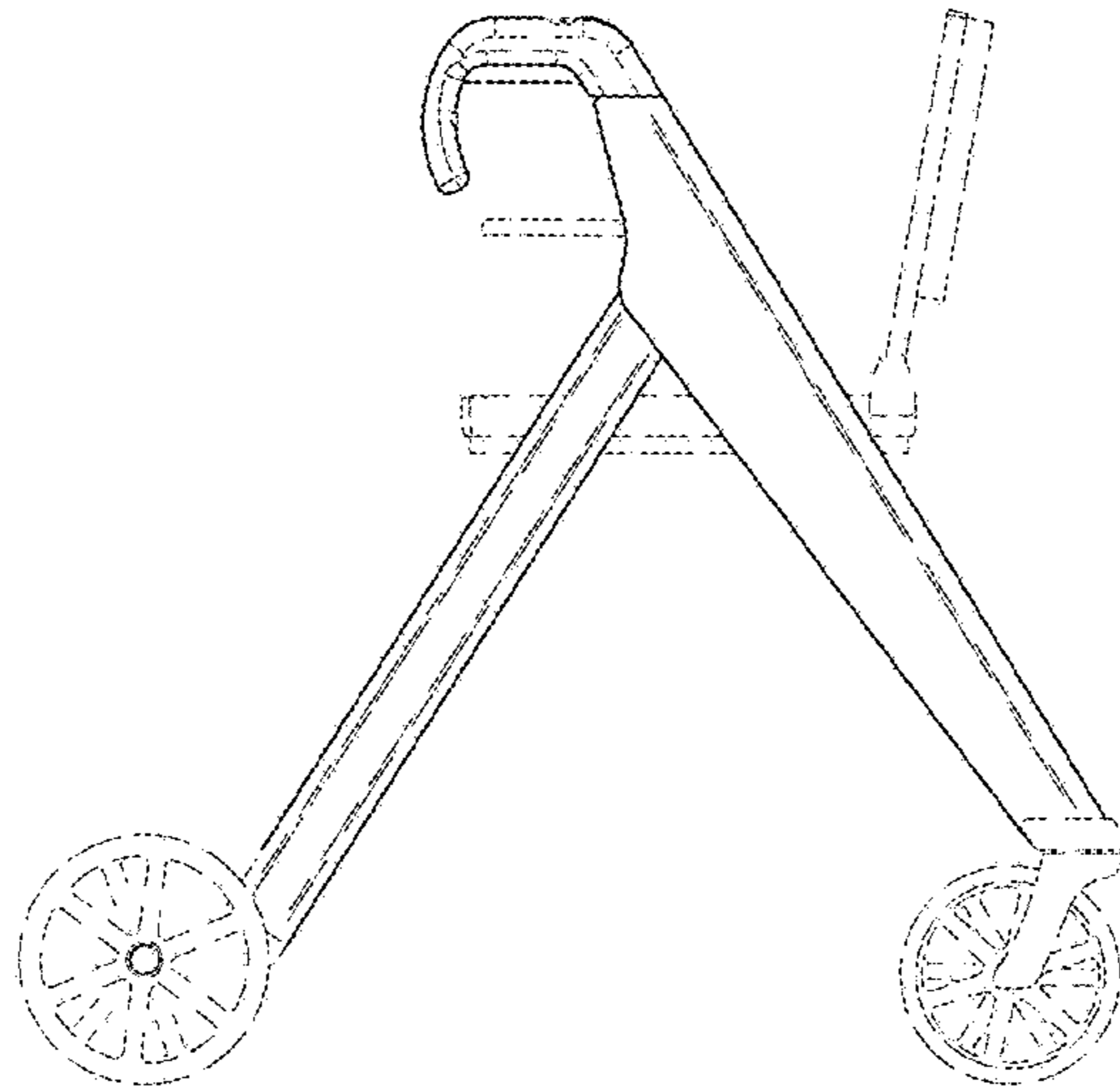


FIG. 7

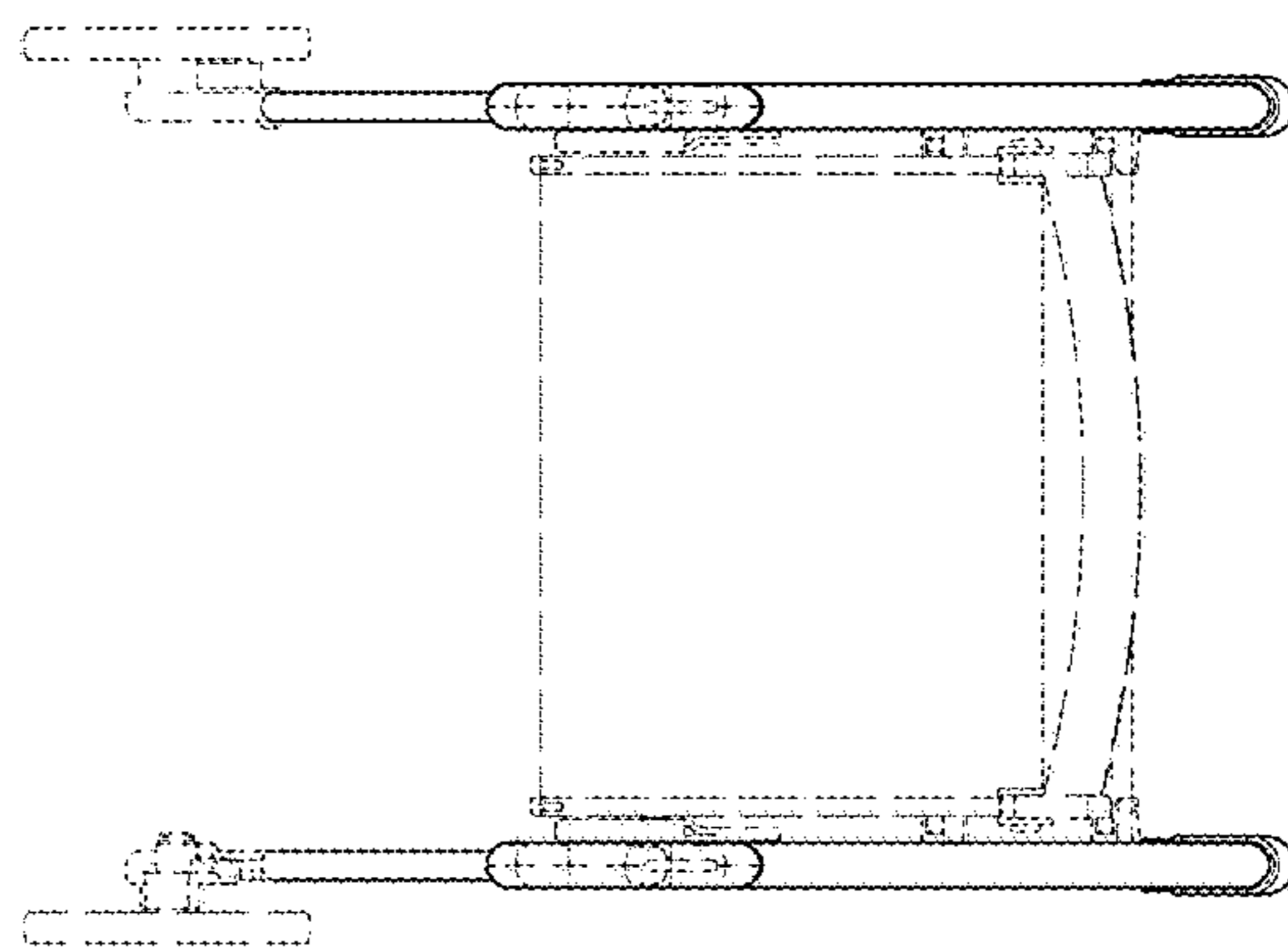


FIG. 8

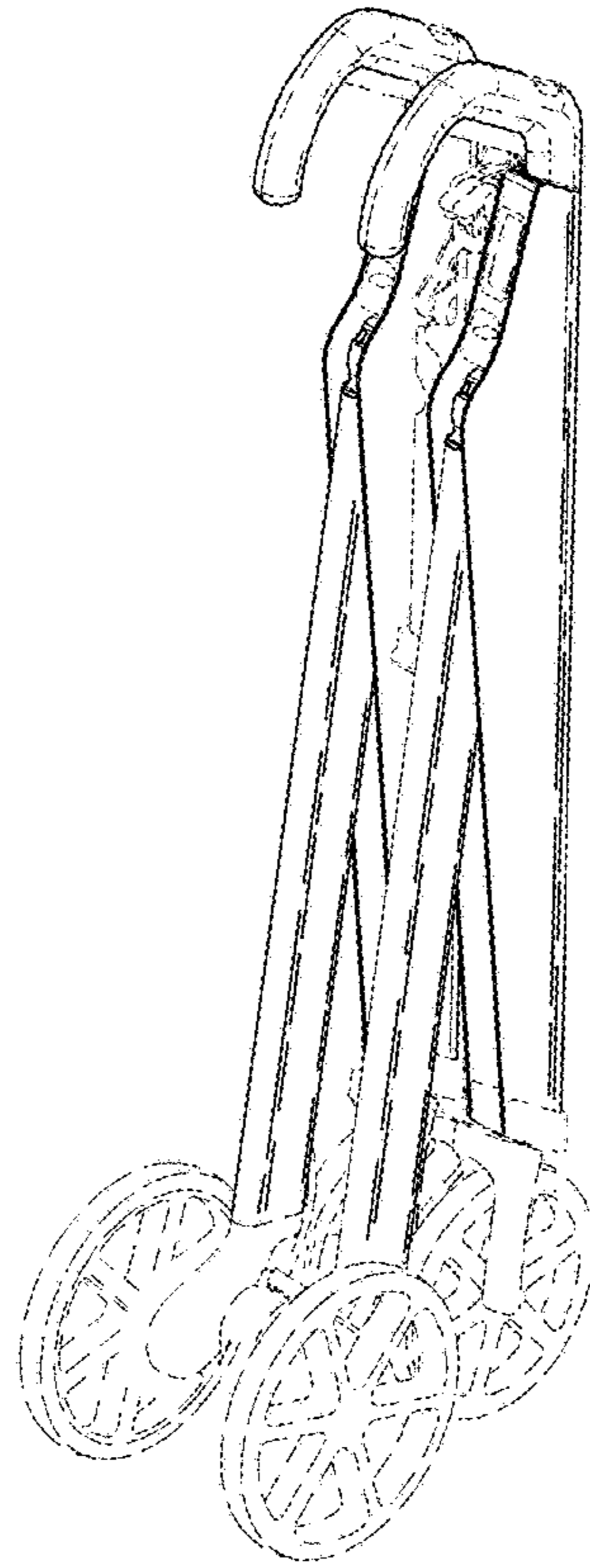


FIG. 9

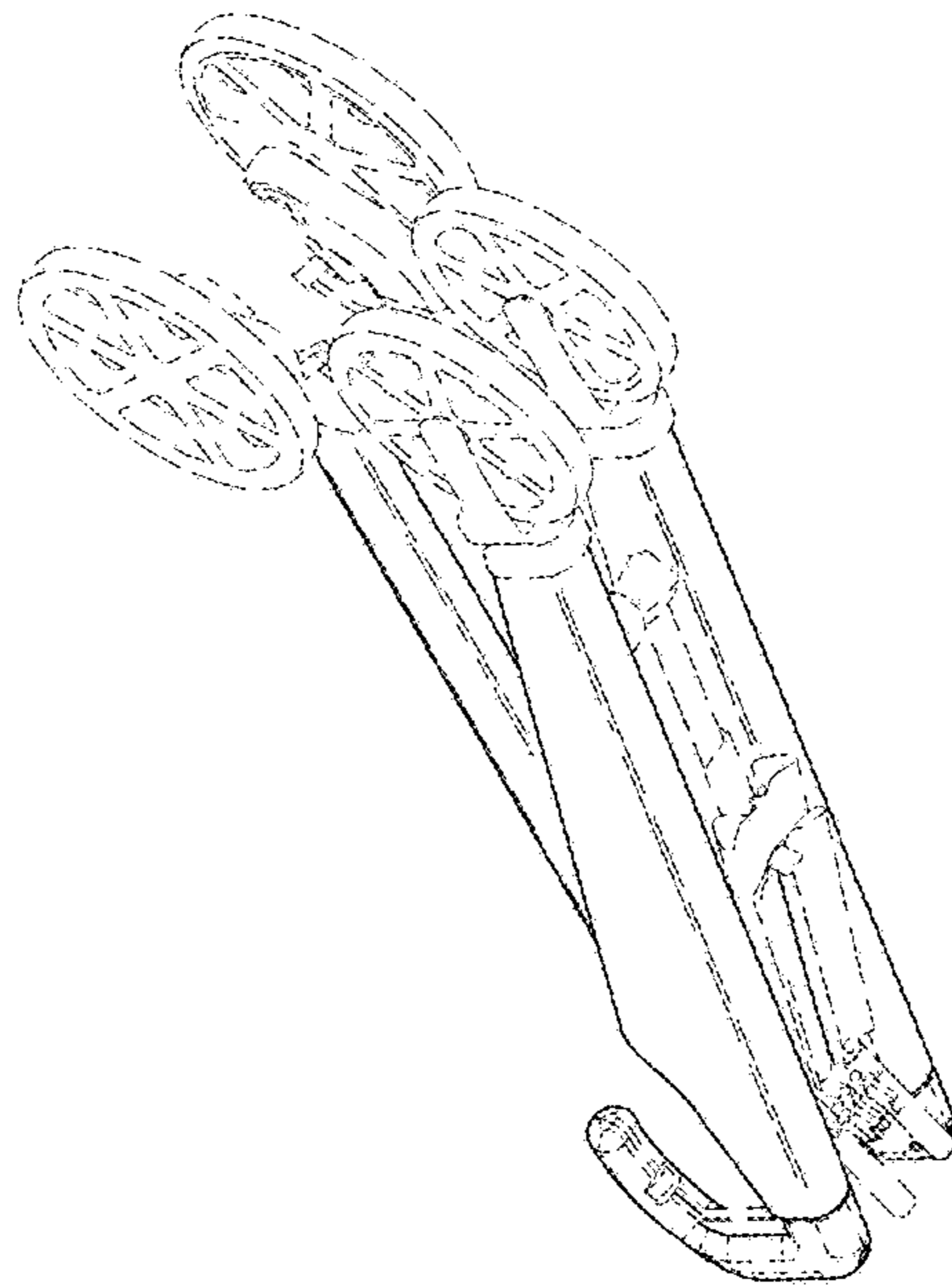


FIG. 10

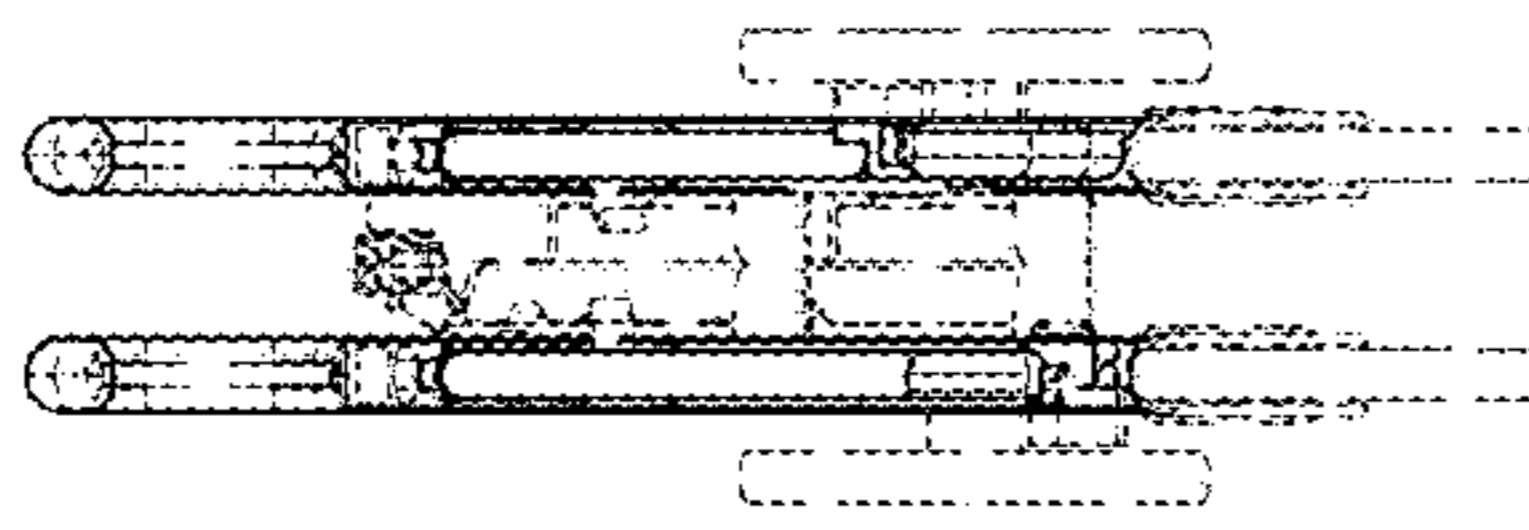


FIG. 11

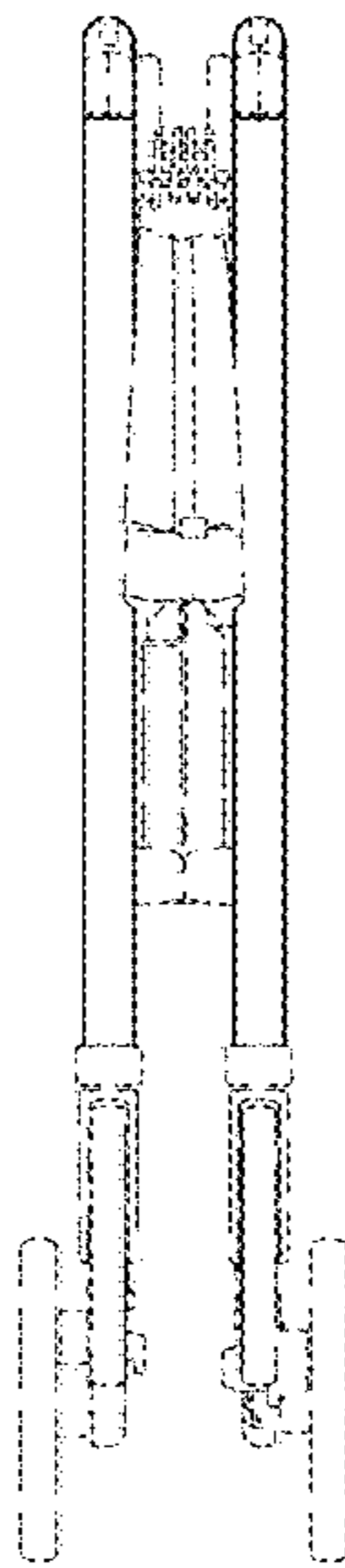


FIG. 12

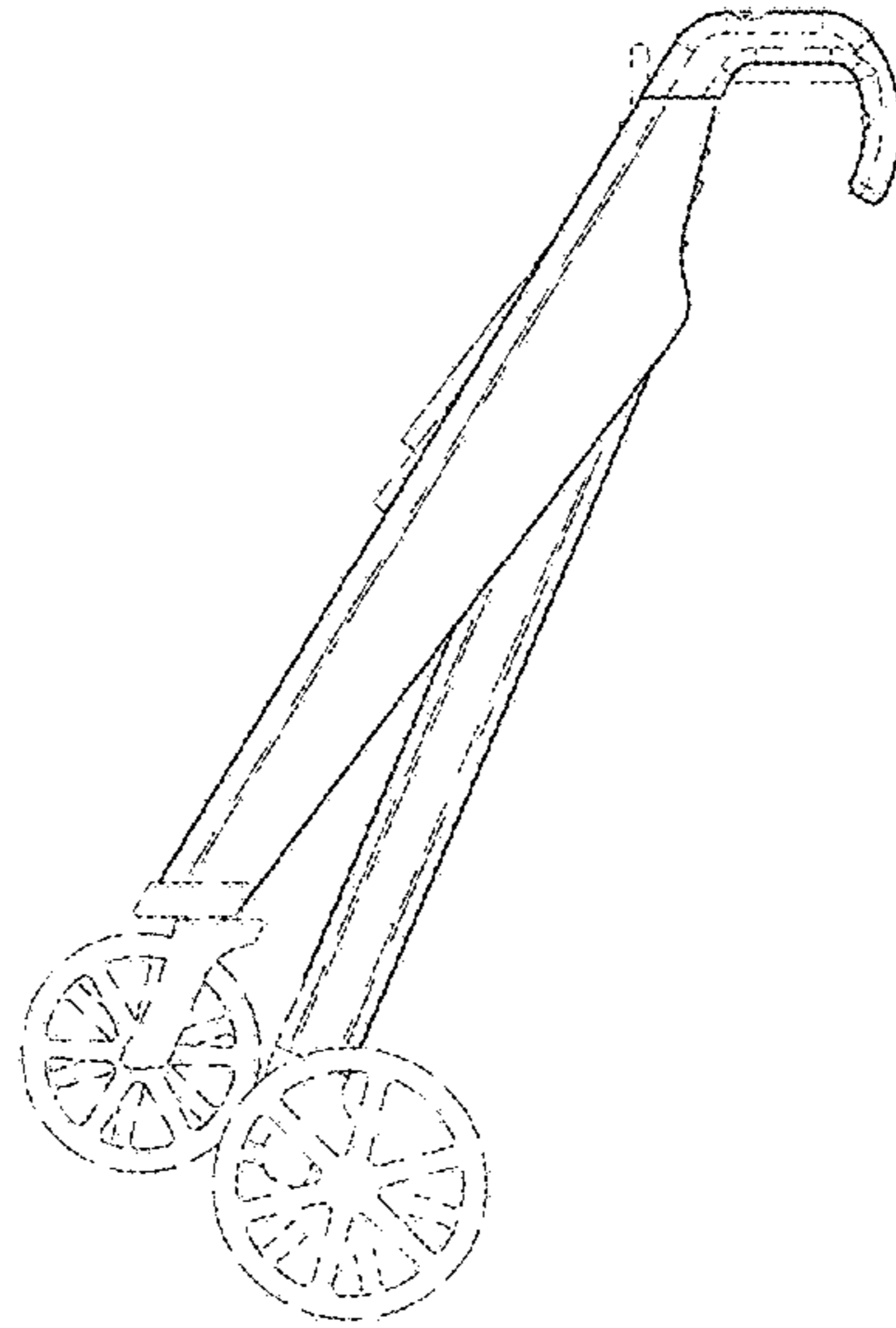


FIG. 13

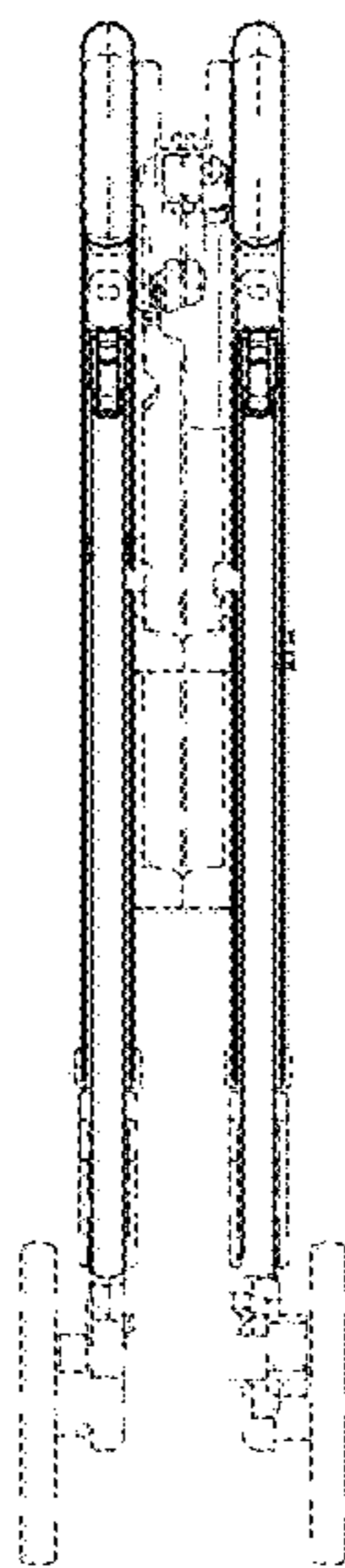


FIG. 14

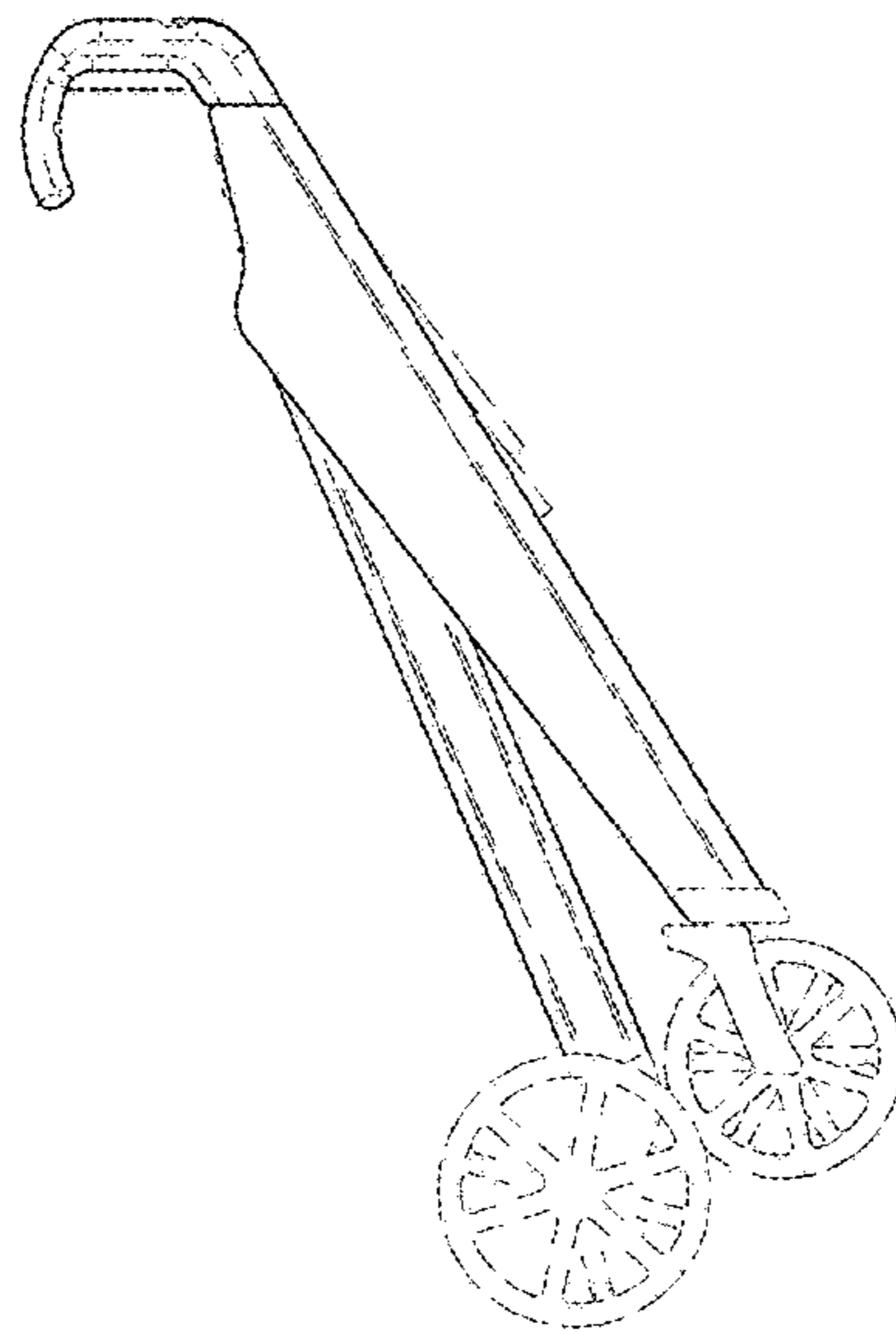


FIG. 15

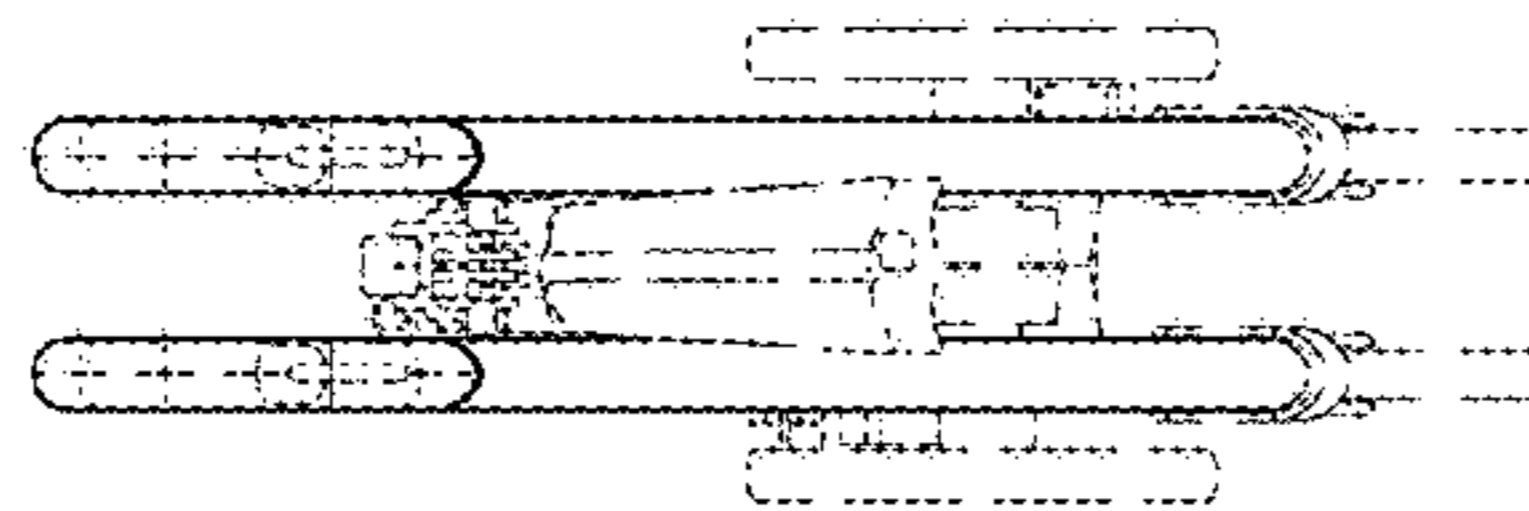


FIG. 16