



US00D851540S

(12) **United States Design Patent** (10) **Patent No.:** **US D851,540 S**
Tompkin (45) **Date of Patent:** **** Jun. 18, 2019**

(54) **DRONE**
(71) Applicant: **MerchSource, LLC**, Irvine, CA (US)
(72) Inventor: **Crispian Tompkin**, Los Angeles, CA (US)
(73) Assignee: **MerchSource, LLC**, Irvine, CA (US)
(**) Term: **15 Years**

8,106,748 B2 1/2012 Lee
D659,771 S * 5/2012 Seydoux D21/441
8,175,763 B2 5/2012 Yamane et al.
8,214,088 B2 7/2012 Lefebure
8,265,808 B2 9/2012 Garrec et al.
8,292,215 B2 10/2012 Olm et al.
8,322,648 B2 12/2012 Kroetsch et al.
8,328,128 B2 12/2012 Wiggerich
8,328,130 B2 12/2012 Goossen
(Continued)

(21) Appl. No.: **29/606,756**
(22) Filed: **Jun. 7, 2017**
(51) **LOC (11) Cl.** **12-07**
(52) **U.S. Cl.**
USPC **D12/16.1**
(58) **Field of Classification Search**
USPC D12/16.1, 319-345; D21/436, 438, 441,
D21/442, 443, 444, 447, 448, 449, 450,
D21/451, 452, 454
CPC ... B64C 29/00; B64C 2201/141; B64C 27/24;
B64C 27/30; B64C 39/04
See application file for complete search history.

FOREIGN PATENT DOCUMENTS

WO 2015126447 A1 8/2015

OTHER PUBLICATIONS

Sharper Image 10 in. Lunar Drone with Camera Streaming by Kohl's. dated Dec. 22, 2017. found online [Oct. 25, 2018] https://www.kohls.com/product/prd-2978559/the-sharper-image-10-in-lunar-drone-with-camera-streaming.jsp?skuid=84227756&ci_mcc=ci&utm_campaign=ELECTRONICS&utm_medium=CSE&utm_source=bing&CID=shopping20&utm.*

Primary Examiner — Marissa J Cash
(74) *Attorney, Agent, or Firm* — Avyno Law P.C.

(56) **References Cited**
U.S. PATENT DOCUMENTS

2,478,847 A 8/1949 Stuart, III
D189,462 S * 12/1960 Vogt D12/329
3,053,480 A 9/1962 Vanderlip
4,161,843 A 7/1979 Hui
5,043,646 A 8/1991 Smith, III et al.
5,738,300 A 4/1998 Durand
7,302,316 B2 11/2007 Beard et al.
7,364,114 B2 4/2008 Wobben
7,400,950 B2 7/2008 Reich
7,407,424 B2 * 8/2008 Choi G01S 5/26
446/175
7,472,863 B2 1/2009 Pak
7,584,071 B2 9/2009 Lee
7,699,260 B2 4/2010 Hughey
7,959,104 B2 6/2011 Kuntz
D648,809 S * 11/2011 Seydoux D21/441
8,052,081 B2 11/2011 Olm et al.

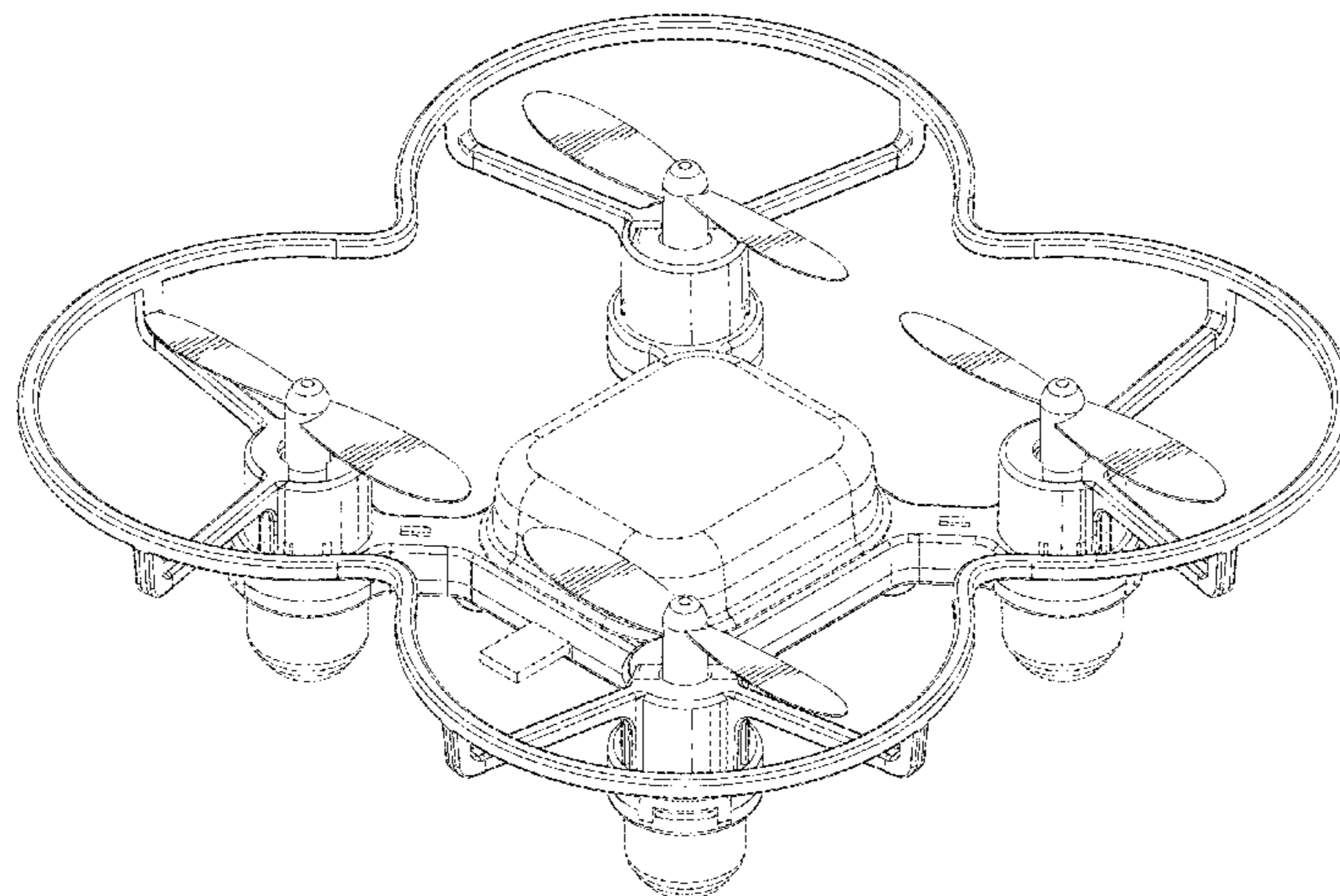
(57) **CLAIM**

I claim the ornamental design for a drone, as shown and described.

DESCRIPTION

FIG. 1 is a top perspective view of a drone.
FIG. 2 is a bottom perspective view of the drone of FIG. 1.
FIG. 3 is a side view of the drone of FIG. 1.
FIG. 4 is a side view of the drone of FIG. 1.
FIG. 5 is a side view of the drone of FIG. 1.
FIG. 6 is a side view of the drone of FIG. 1.
FIG. 7 is a top view of the drone of FIG. 1; and,
FIG. 8 is a bottom view of the drone of FIG. 1.
In the drawings, the broken lines depict portions of the drone that form no part of the claimed design.

1 Claim, 6 Drawing Sheets



(56)

References Cited

U.S. PATENT DOCUMENTS

8,594,862 B2	11/2013	Callou et al.					
D708,272 S *	7/2014	Schmelter	D12/16.1				
8,774,982 B2	7/2014	Oakley et al.					
D710,454 S	8/2014	Barajas et al.					
8,794,564 B2	8/2014	Hutson					
8,794,566 B2	8/2014	Hutson					
8,827,200 B2	9/2014	Radu					
8,931,730 B2	1/2015	Wang et al.					
8,973,861 B2	3/2015	Zhou et al.					
8,983,684 B2	3/2015	Callou et al.					
8,991,740 B2	3/2015	Olm et al.					
9,004,973 B2	4/2015	Condon et al.					
9,016,617 B2	4/2015	Wang et al.					
9,020,666 B2	4/2015	Ohtomo et al.					
9,051,043 B1 *	6/2015	Peeters	B64C 19/00				
9,051,050 B2	6/2015	Achtelik et al.					
9,061,558 B2	6/2015	Kalantari et al.					
9,145,207 B2	9/2015	Moschetta et al.					
D741,751 S *	10/2015	Klaptocz	D12/16.1				
D745,435 S *	12/2015	Park	D12/16.1				
9,199,733 B2	12/2015	Keennon et al.					
9,221,536 B2	12/2015	Wang et al.					
D747,775 S *	1/2016	Colin	D12/16.1				
9,260,184 B2	2/2016	Olm et al.					
D751,025 S *	3/2016	Howell	D12/16.1				
D756,842 S *	5/2016	Ashjaee	D12/16.1				
9,364,766 B2	6/2016	Mielniczek					
D761,690 S *	7/2016	Friesmuth	D12/16.1				
D767,043 S *	9/2016	Morrison	D12/16.1				
D776,569 S *	1/2017	Baruchin	D12/16.1				
D776,570 S *	1/2017	Baruchin	D12/16.1				
9,632,509 B1 *	4/2017	Aphek	B64C 39/024				
D787,372 S *	5/2017	Ketcher	D12/16.1				
D789,248 S *	6/2017	Ketcher	D12/16.1				
D796,414 S *	9/2017	Fenny	D12/328				
D797,859 S *	9/2017	Caubel	D21/441				
D798,961 S *	10/2017	Li	D21/441				
D800,016 S *	10/2017	Huang	D12/16.1				
D808,301 S *	1/2018	Goldy	D12/16.1				
D808,329 S *	1/2018	Parks	D12/328				
D816,581 S *	5/2018	Zhao	D12/328				
D816,583 S *	5/2018	Dutertre	D12/328				
10,023,323 B1 *	7/2018	Roberts	B64D 43/00				
				10,023,326 B2 *	7/2018	Byers	B64C 39/024
				D825,380 S *	8/2018	Tompkin	D12/16.1
				10,040,544 B2 *	8/2018	Marcel	B64C 27/08
				2002/0104922 A1	8/2002	Nakamura	
				2007/0105474 A1 *	5/2007	Gotou	A63H 27/02 446/37
				2008/0006737 A1	1/2008	Wobben	
				2008/0048065 A1 *	2/2008	Kuntz	A63H 17/00 244/17.23
				2010/0044499 A1	2/2010	Dragan et al.	
				2010/0243794 A1	9/2010	Jermyn	
				2011/0049290 A1	3/2011	Seydoux et al.	
				2011/0221692 A1 *	9/2011	Seydoux	A63H 27/12 345/173
				2011/0226892 A1	9/2011	Crowther et al.	
				2012/0241555 A1 *	9/2012	Savoie	A63H 27/12 244/54
				2014/0043493 A1	2/2014	Bateman et al.	
				2014/0263822 A1	9/2014	Malveaux	
				2015/0051755 A1	2/2015	Erhart et al.	
				2015/0057844 A1 *	2/2015	Callou	G05D 1/0204 701/3
				2015/0149000 A1 *	5/2015	Rischmuller	B64C 39/024 701/7
				2015/0331427 A1 *	11/2015	Chaudary	B64C 39/024 244/17.13
				2016/0068261 A1 *	3/2016	Niederberger	B64C 39/024 244/2
				2016/0100093 A1	4/2016	Schild et al.	
				2016/0104384 A1	4/2016	Hanei et al.	
				2016/0272312 A1 *	9/2016	Mallard	B64C 29/0033
				2016/0332851 A1 *	11/2016	Bialkowski	B64C 39/024
				2017/0073070 A1 *	3/2017	Xing	B64C 39/024
				2017/0113816 A1 *	4/2017	High	B64C 39/022
				2017/0197731 A1 *	7/2017	Yang	B64F 1/04
				2017/0274983 A1 *	9/2017	Beckman	B64C 11/48
				2017/0277187 A1 *	9/2017	Refai	G06T 7/30
				2017/0291700 A1 *	10/2017	Mohyi	B64C 27/20
				2017/0293884 A1 *	10/2017	Cheatham, III ...	G06Q 10/0835
				2017/0341776 A1 *	11/2017	McClure	B64D 47/08
				2018/0029704 A1 *	2/2018	Milani	B64C 29/0033
				2018/0037317 A1 *	2/2018	Ichihara	B64C 27/08
				2018/0072428 A1 *	3/2018	Adachi	B64C 39/02
				2018/0208070 A1 *	7/2018	Sanchez	B60L 11/1824
				2018/0217614 A1 *	8/2018	Salas-Moreno	B64C 39/024

* cited by examiner

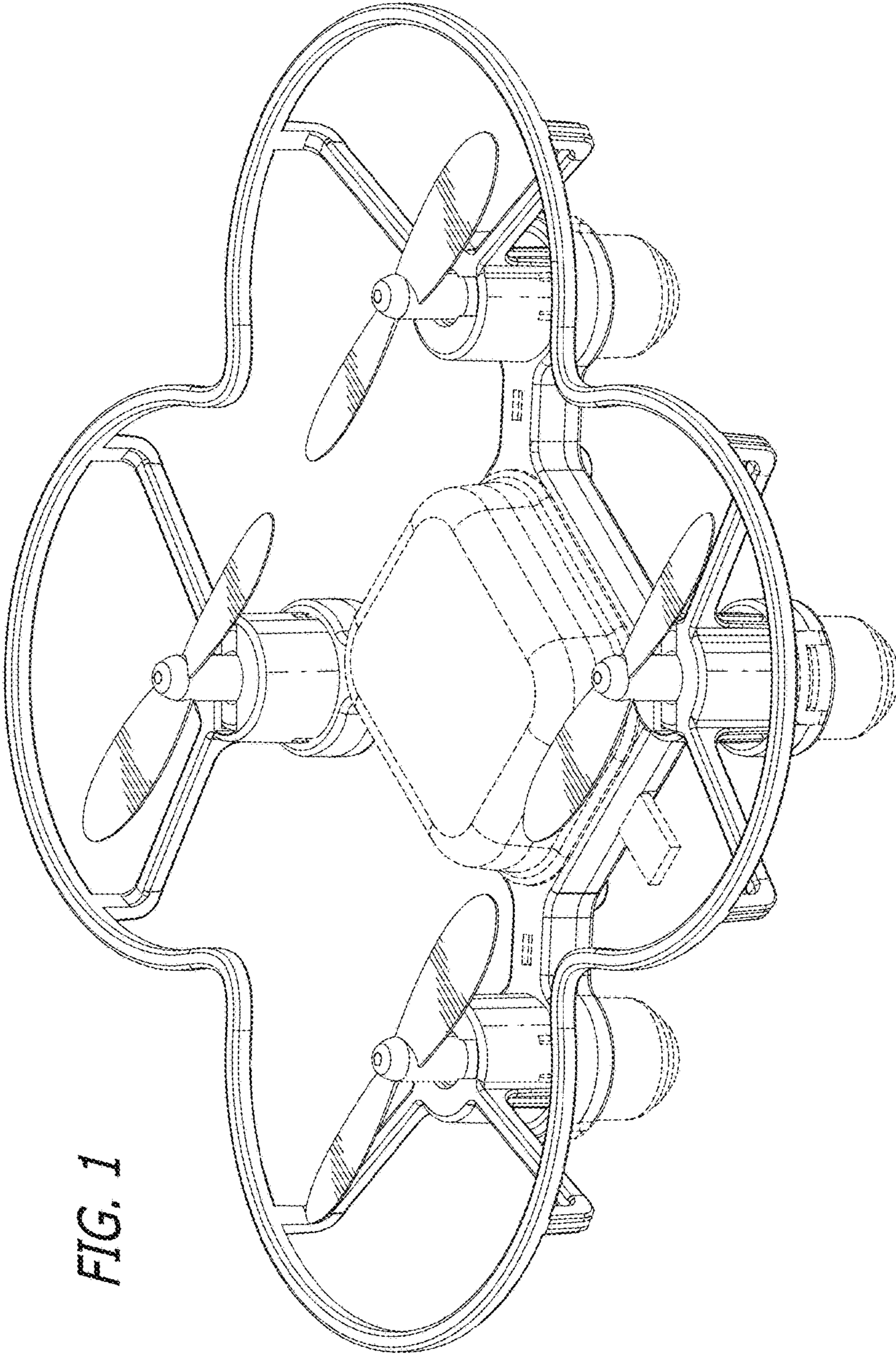
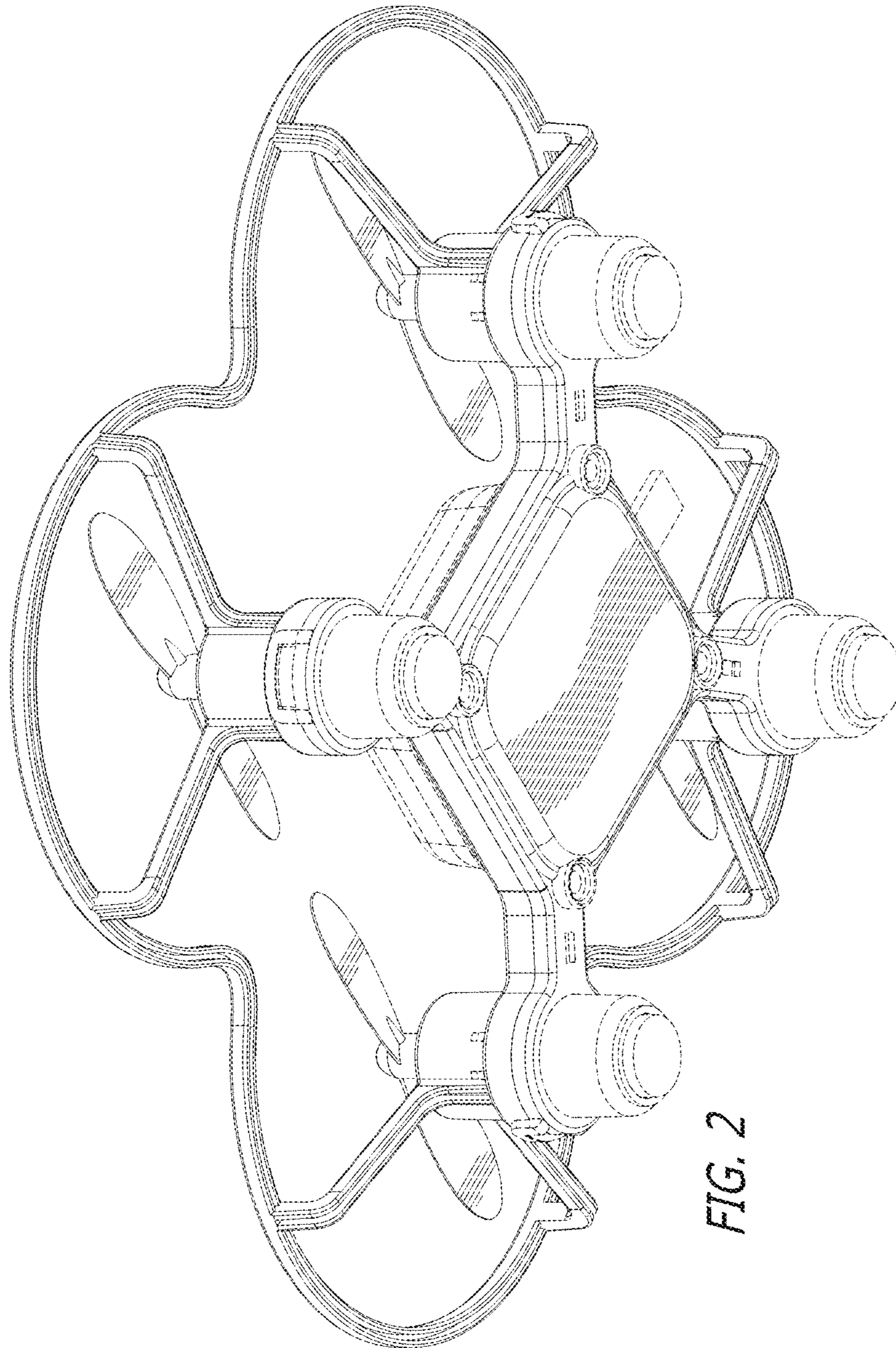


FIG. 1



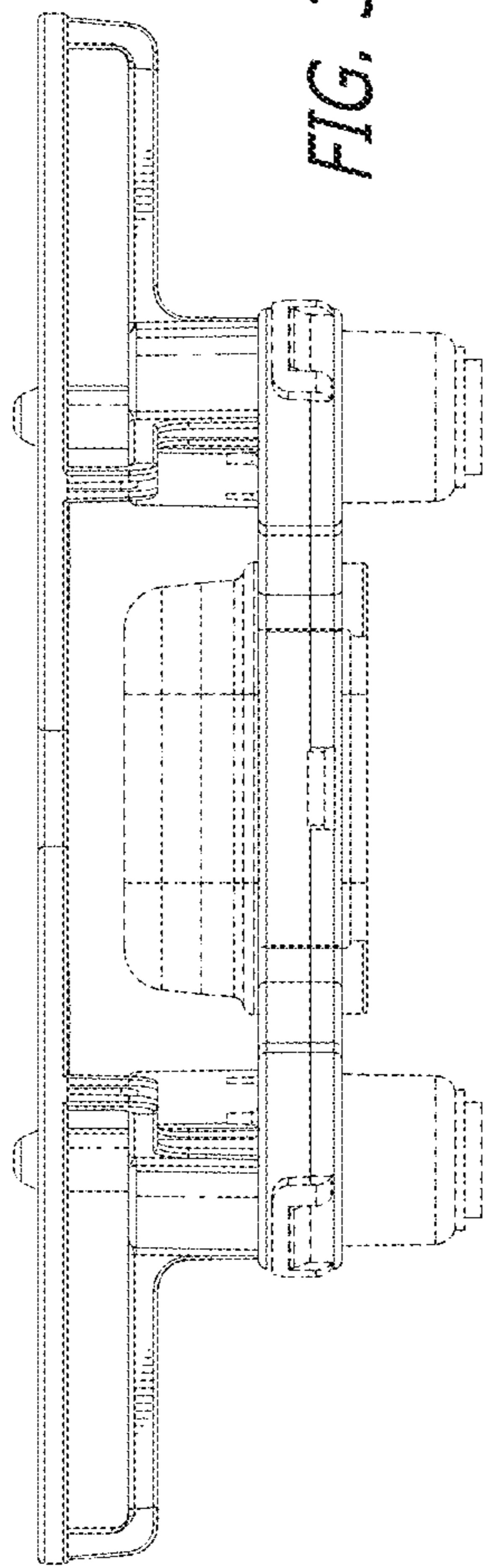


FIG. 3

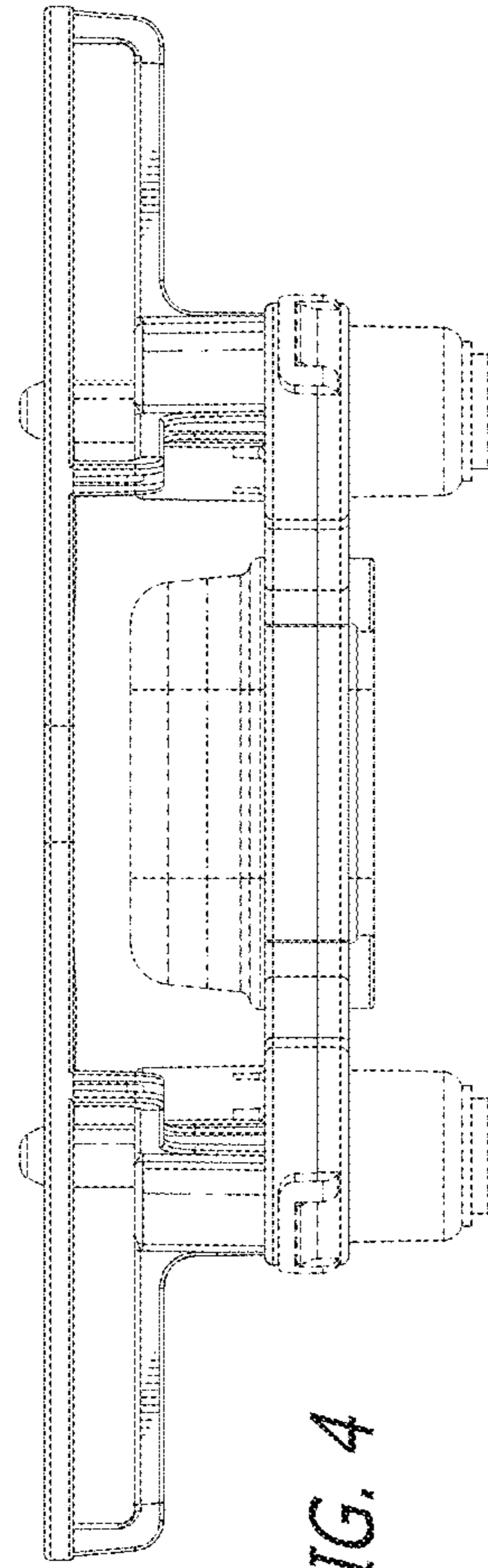


FIG. 4

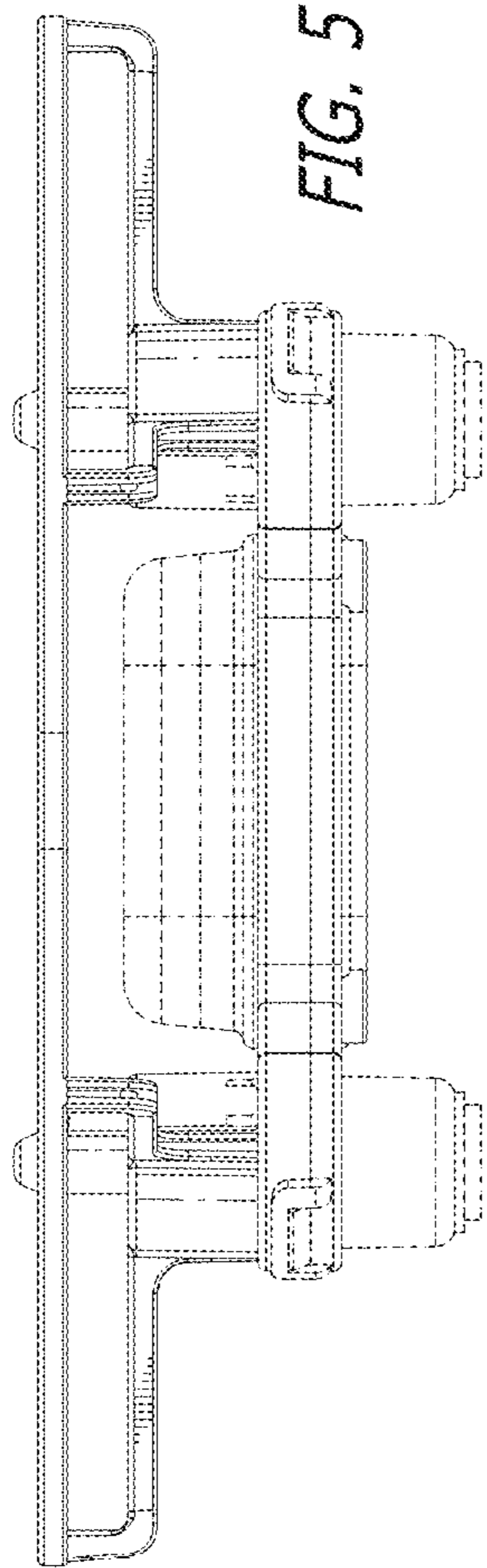


FIG. 5

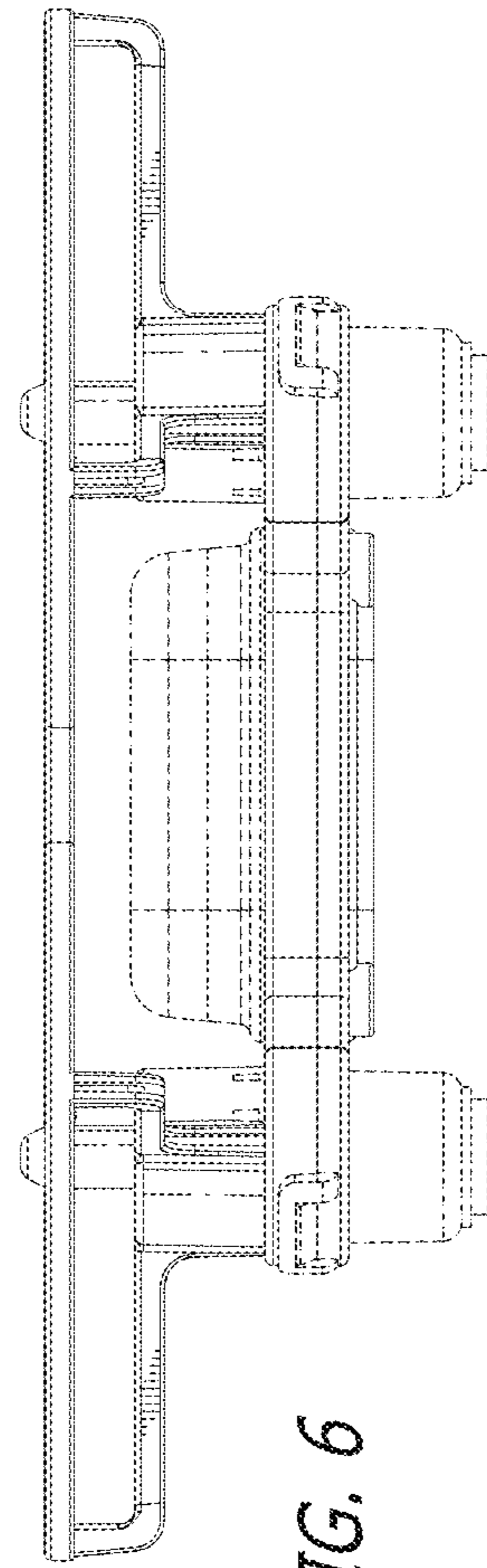


FIG. 6

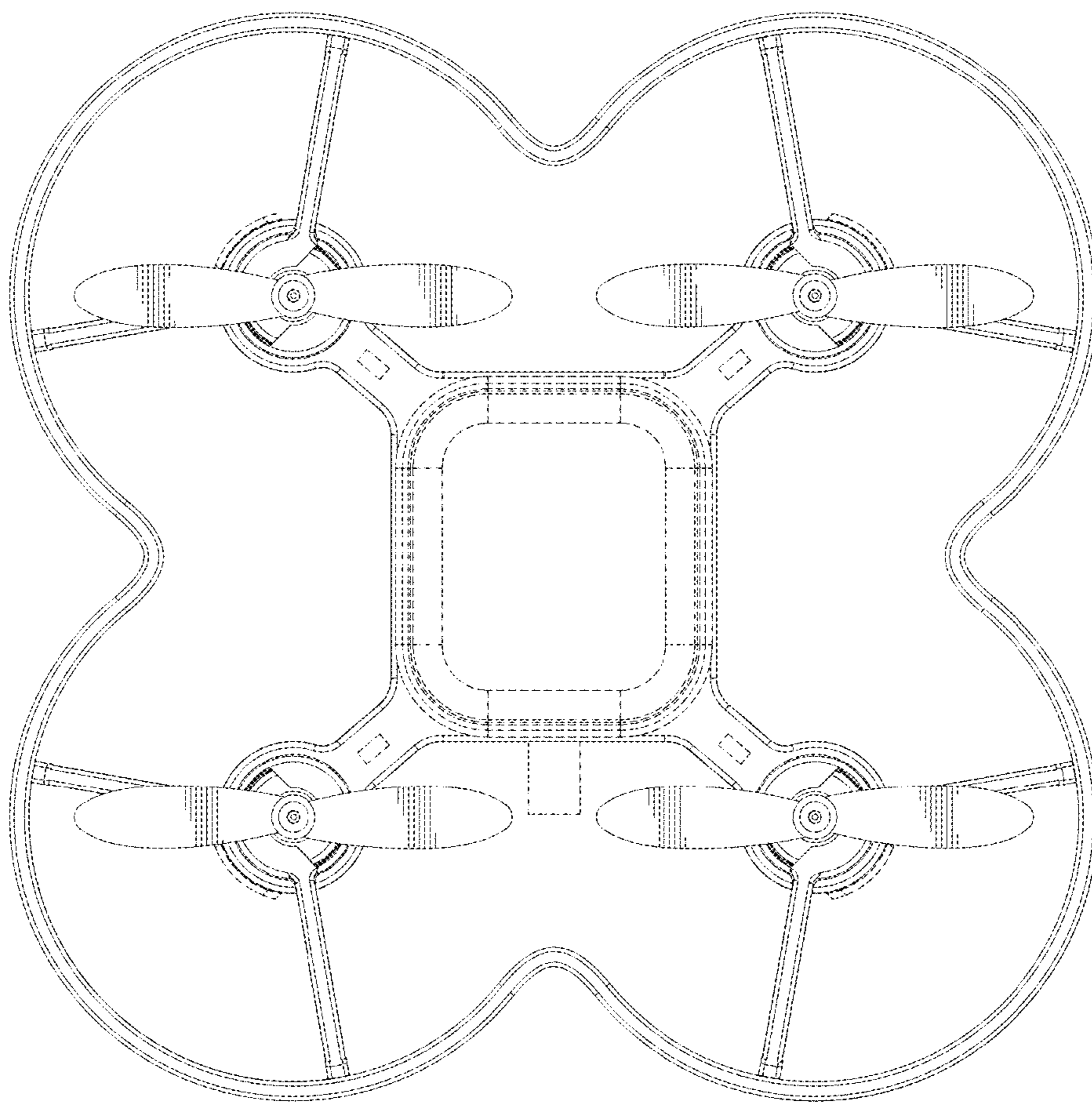


FIG. 7

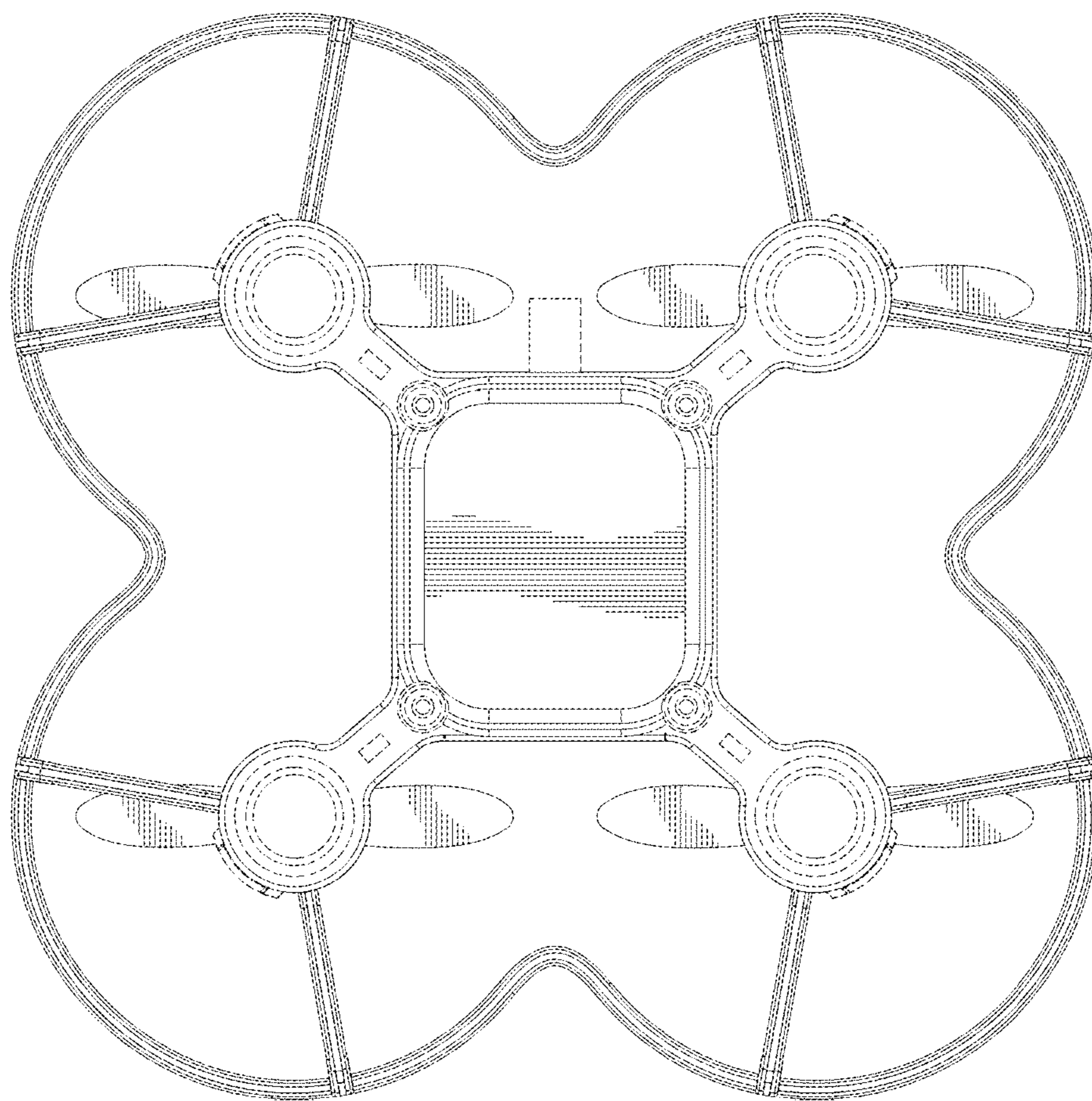


FIG. 8