



US00D851538S

(12) **United States Design Patent** (10) **Patent No.:** **US D851,538 S**  
**Saito** (45) **Date of Patent:** **\*\* Jun. 18, 2019**

(54) **PRECIOUS STONE BASE FOR PENDANTS**

(71) Applicant: **Masahide Saito**, Narashino (JP)

(72) Inventor: **Masahide Saito**, Narashino (JP)

(\*\*) Term: **15 Years**

(21) Appl. No.: **29/622,440**

(22) Filed: **Oct. 17, 2017**

(30) **Foreign Application Priority Data**

Apr. 17, 2017 (JP) ..... 2017-008241

(51) **LOC (11) Cl.** ..... **11-01**

(52) **U.S. Cl.**  
USPC ..... **D11/92**

(58) **Field of Classification Search**  
USPC ..... D11/34-36, 40-43, 79, 86, 91, 92  
CPC ..... A44C 1/00; A44C 17/02; A44C 17/0208;  
A44C 17/0258; A44C 17/0266; A44C  
17/0275; A44C 17/0283; A44C 17/029;  
A44C 7/00; A44C 7/004; A44C 9/00  
See application file for complete search history.

(56) **References Cited**

U.S. PATENT DOCUMENTS

D436,885 S \* 1/2001 Manfredi ..... D11/91  
D462,291 S \* 9/2002 Kharloubian ..... D11/91  
D476,259 S \* 6/2003 Kharloubian ..... D11/91  
D546,235 S \* 7/2007 Sabet ..... D11/91  
D691,510 S \* 10/2013 Ho ..... D11/92

D716,686 S \* 11/2014 Dobashi ..... D11/91  
D755,666 S \* 5/2016 Cipolla ..... D11/92  
D771,518 S \* 11/2016 Dobashi ..... D11/130  
9,888,749 B1 \* 2/2018 Kawakami ..... A44C 17/0275  
D813,718 S \* 3/2018 Bhansali ..... D11/93  
D819,484 S \* 6/2018 Dobashi ..... D11/92  
2003/0110797 A1 \* 6/2003 Kimura ..... A44C 17/0275  
63/31  
2012/0151963 A1 \* 6/2012 Dobashi ..... A44C 17/0258  
63/26  
2013/0239613 A1 \* 9/2013 Shah ..... A44C 17/0275  
63/27  
2015/0075220 A1 \* 3/2015 Dobashi ..... A44C 17/0275  
63/26

\* cited by examiner

*Primary Examiner* — Cynthia Ramirez

*Assistant Examiner* — L. Martinez

(74) *Attorney, Agent, or Firm* — Oliff PLC

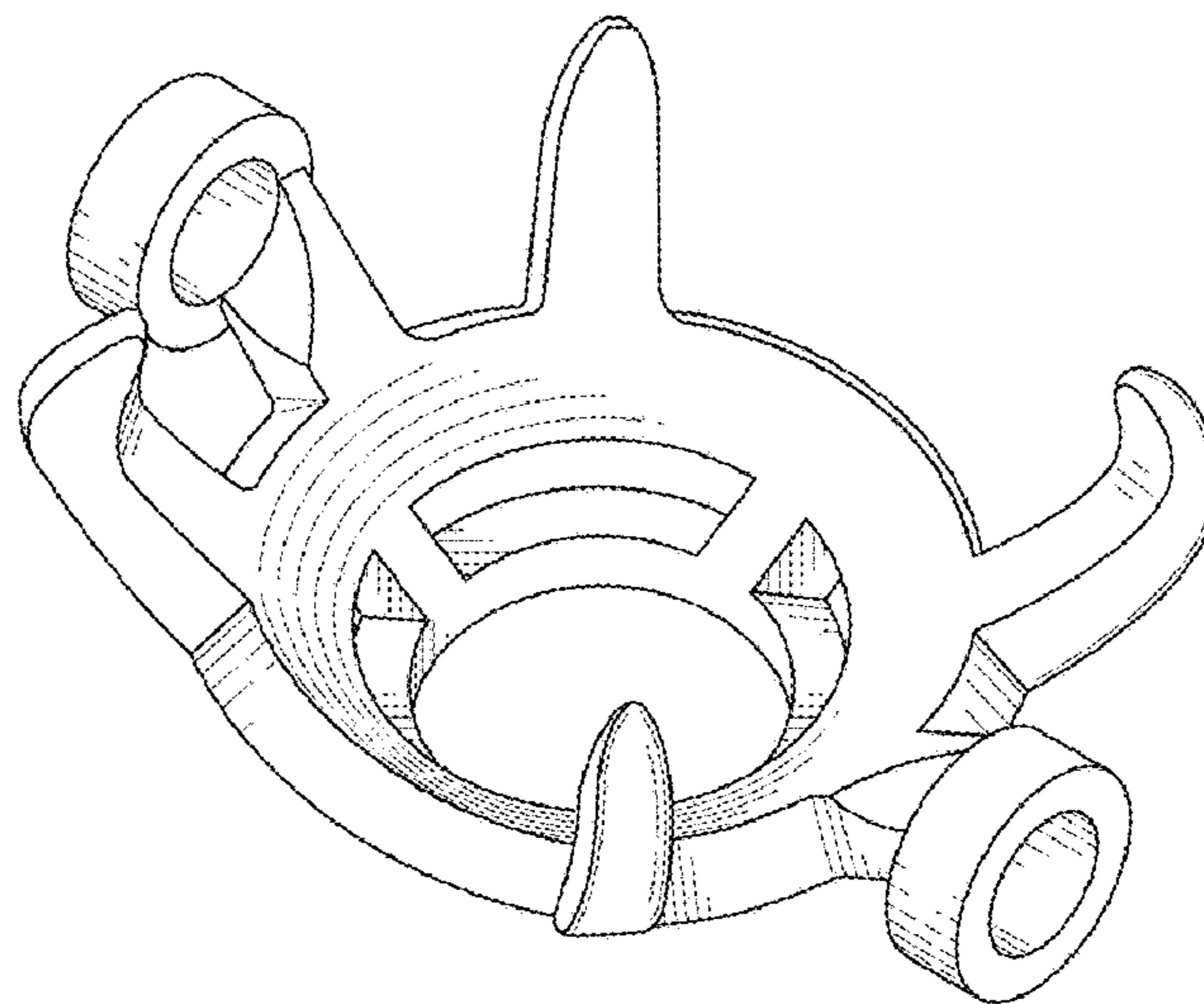
(57) **CLAIM**

The ornamental design for a precious stone base for pendants, as shown and described.

**DESCRIPTION**

FIG. 1 is a front perspective view of a precious stone base for pendants showing my new design;  
FIG. 2 is a rear perspective view thereof;  
FIG. 3 is a front view thereof;  
FIG. 4 is a rear view thereof;  
FIG. 5 is a right-side view thereof, a left-side view being a mirror image thereof;  
FIG. 6 is a top view thereof; and,  
FIG. 7 is a bottom view thereof.

**1 Claim, 4 Drawing Sheets**



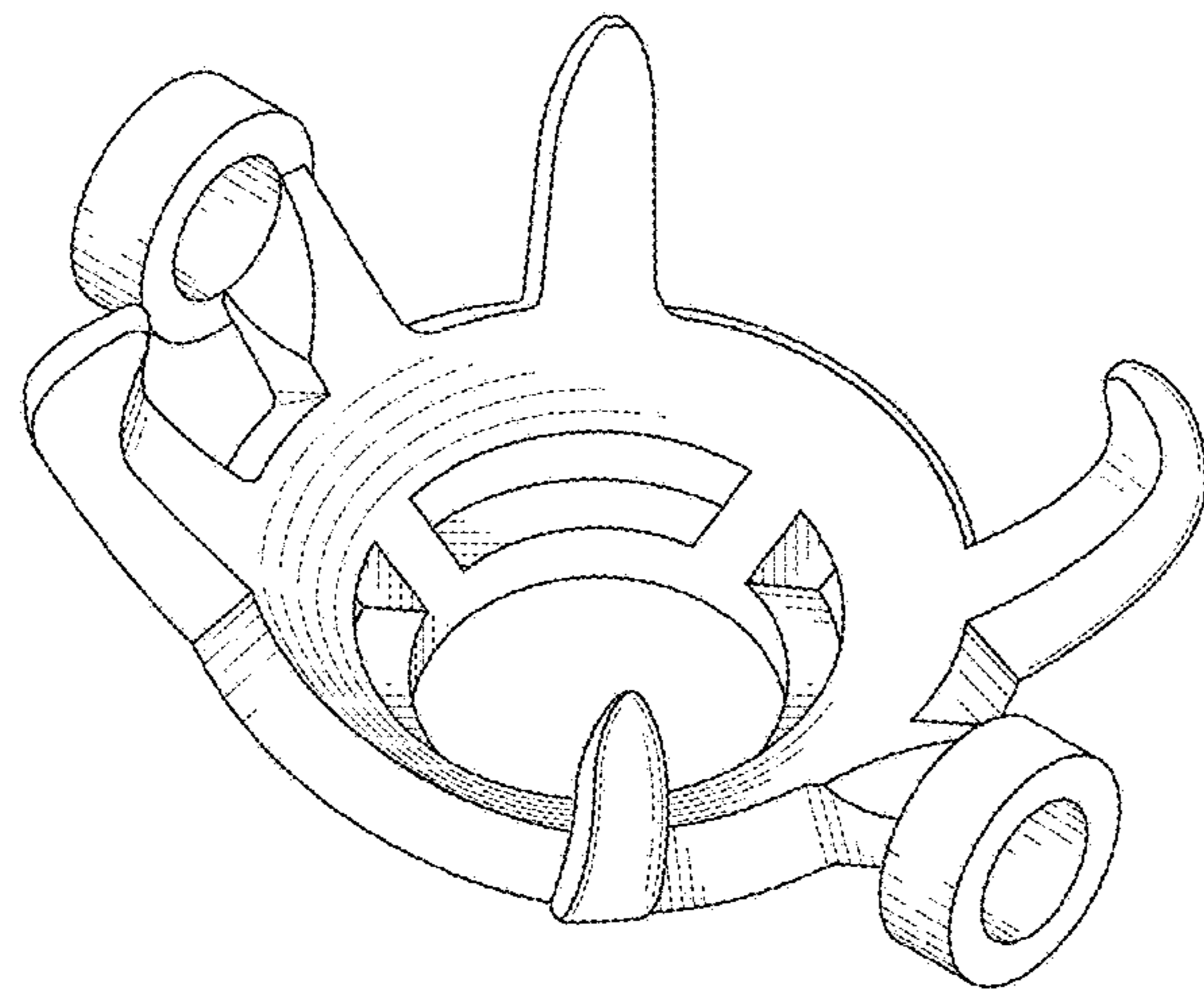


FIG. 1

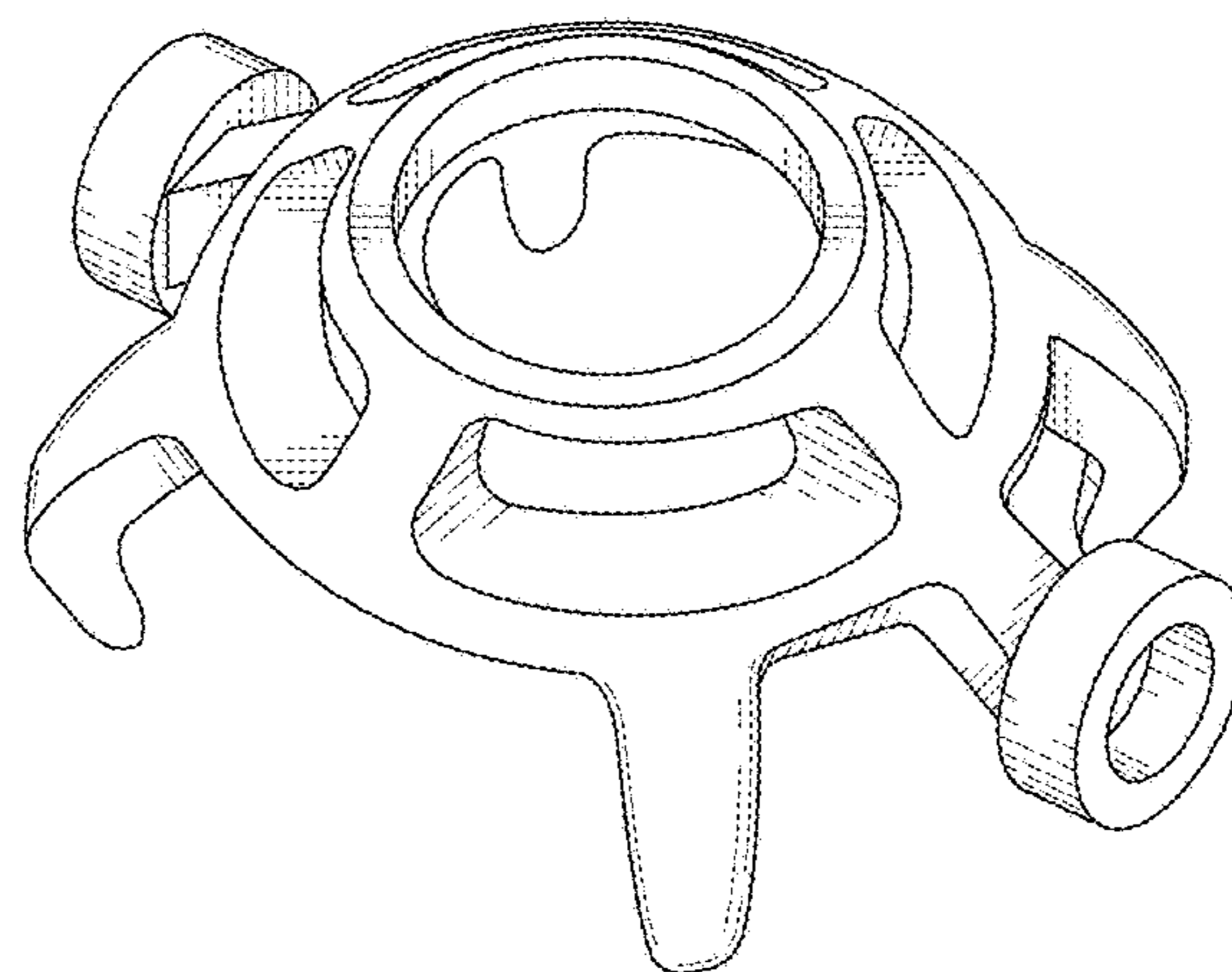


FIG. 2

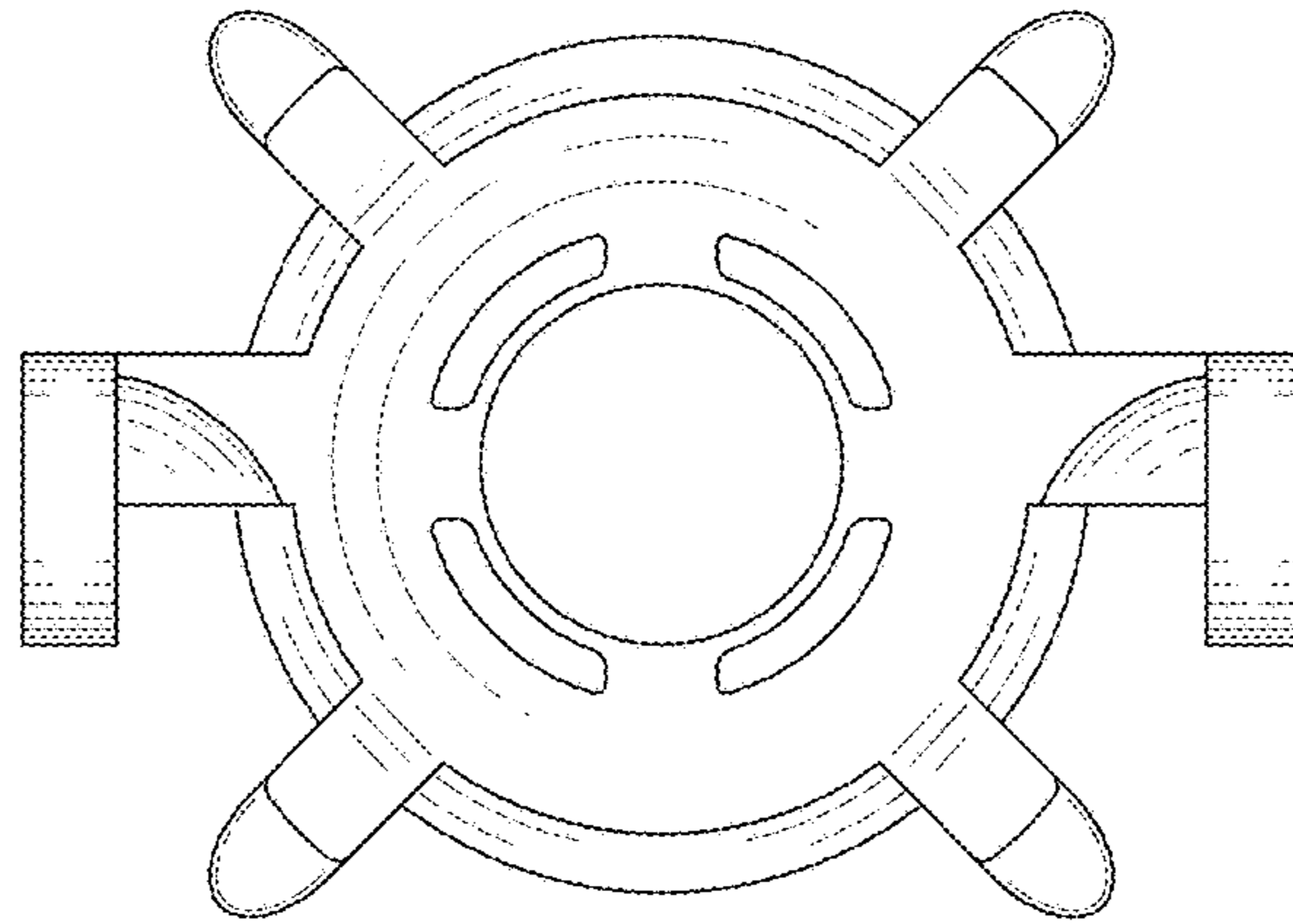


FIG. 3

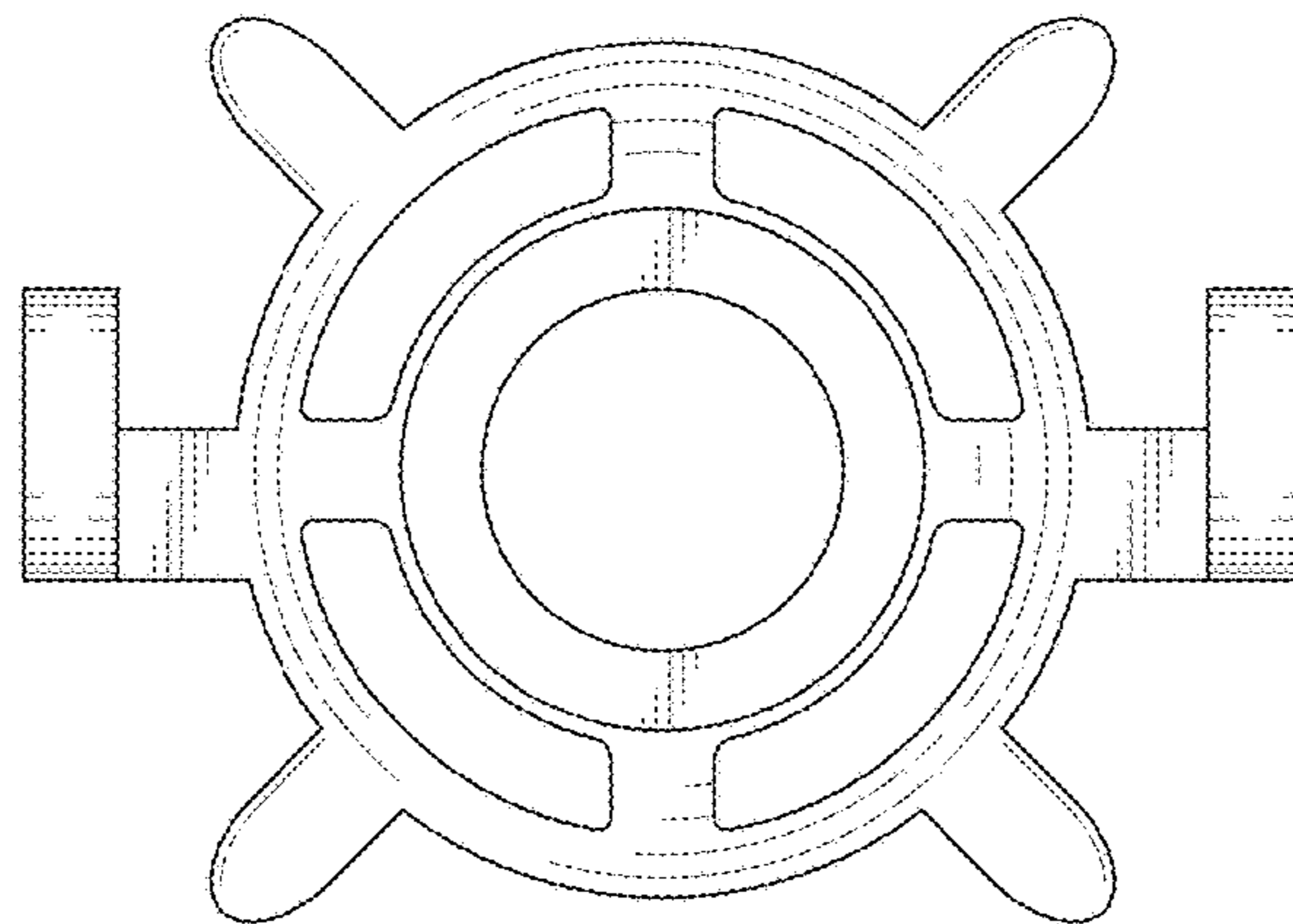


FIG. 4

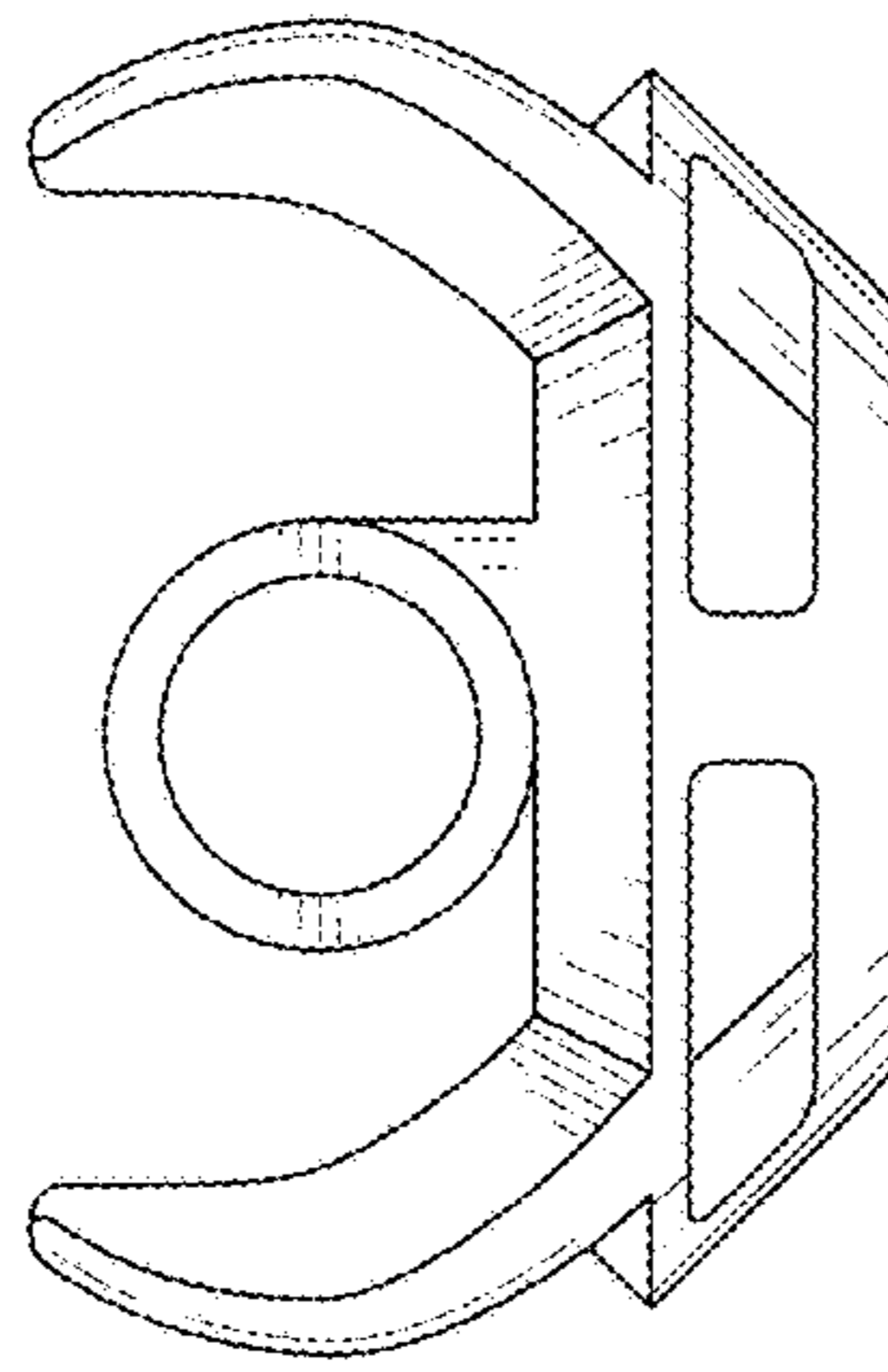


FIG. 5

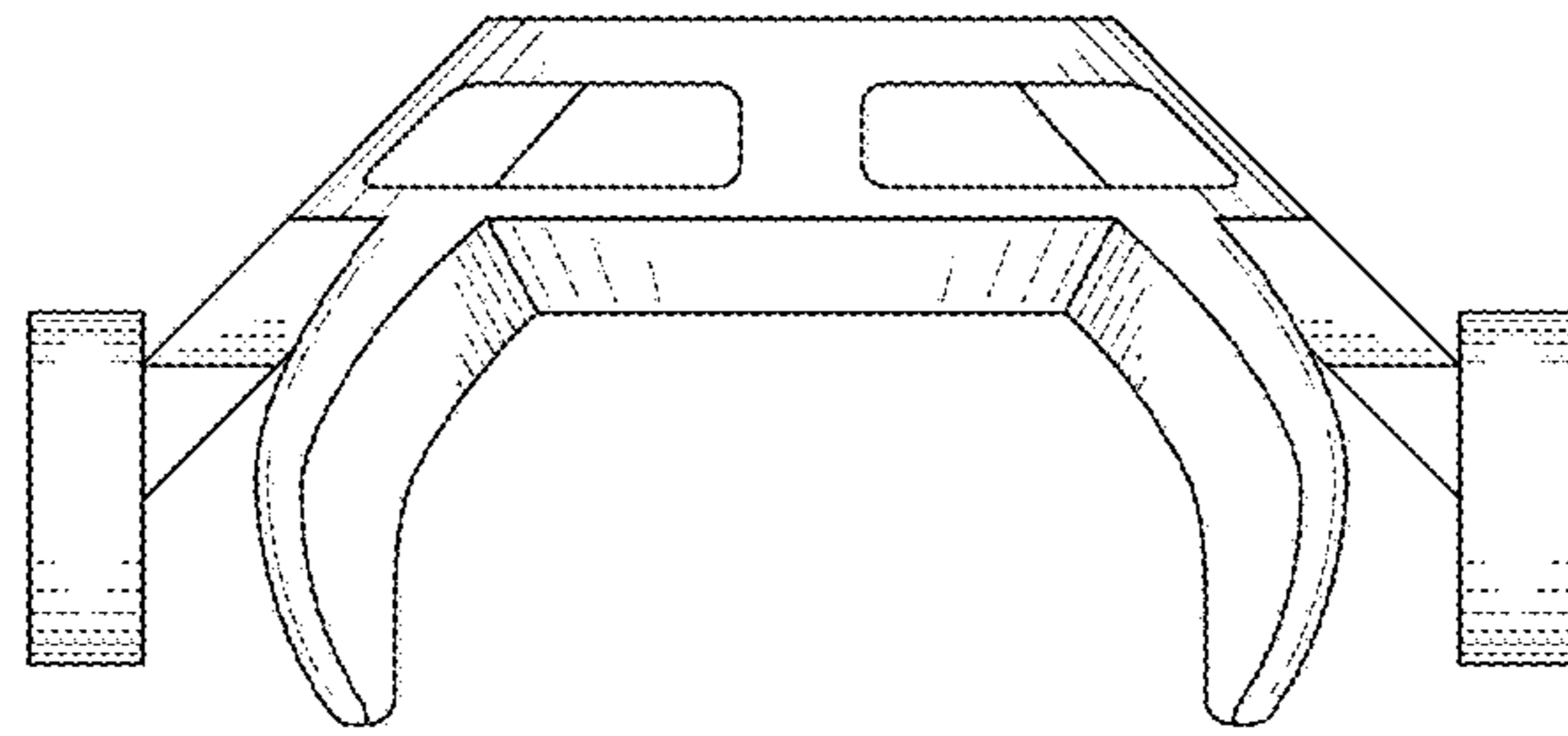


FIG. 6

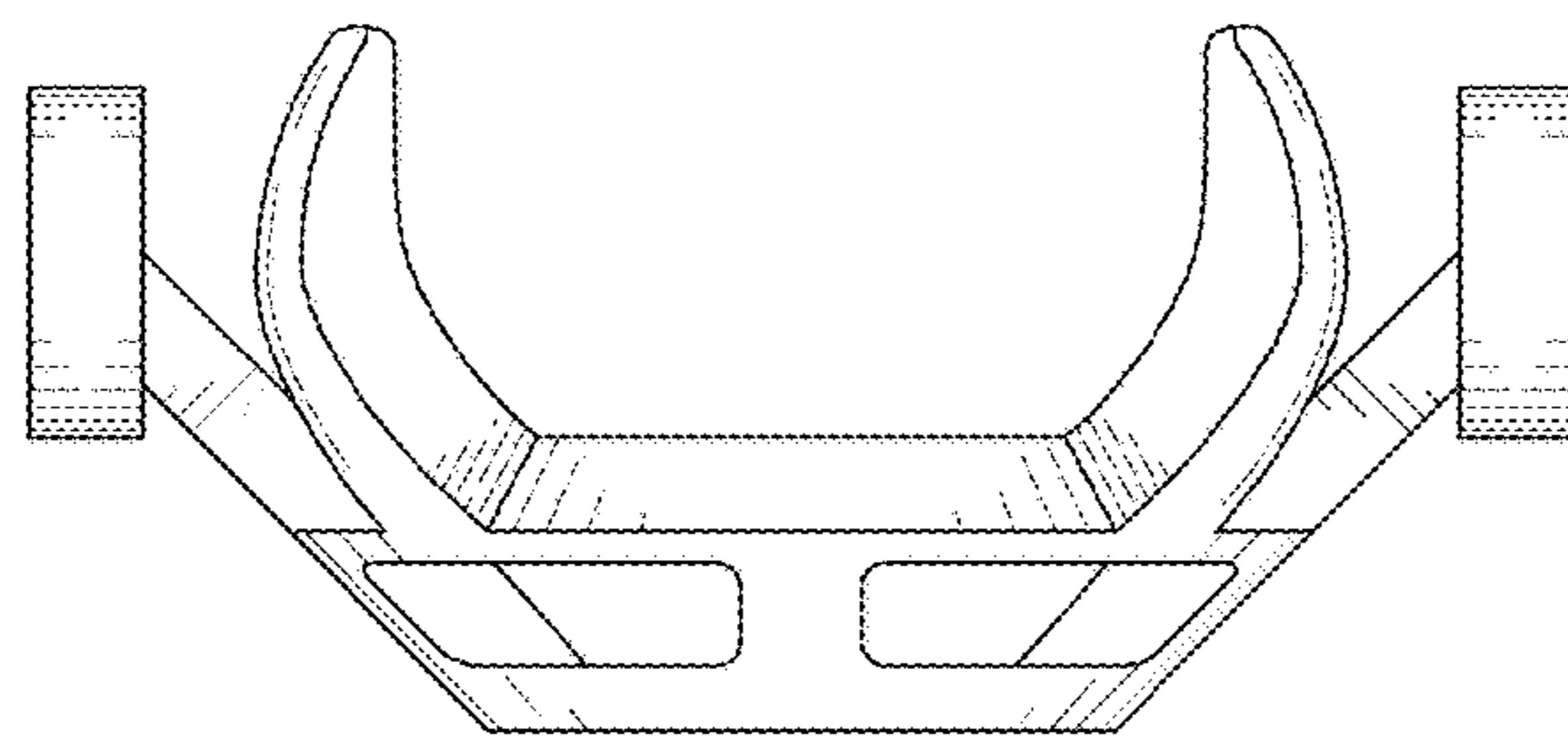


FIG. 7