



US00D851537S

(12) **United States Design Patent** (10) **Patent No.:** **US D851,537 S**
Shah (45) **Date of Patent:** **** Jun. 18, 2019**

(54) **ARTICLE OF JEWELRY**
(71) Applicant: **Kuldip Shah**, Manalapan, NJ (US)
(72) Inventor: **Kuldip Shah**, Manalapan, NJ (US)
(73) Assignee: **Kool Concepts**, Manalapan, NJ (US)
(**) Term: **15 Years**
(21) Appl. No.: **29/620,657**
(22) Filed: **Apr. 10, 2017**
(51) **LOC (11) Cl.** **11-01**
(52) **U.S. Cl.**
USPC **D11/92**
(58) **Field of Classification Search**
USPC D11/1-43, 47, 77-80, 85, 86, 89-92
CPC A44C 1/00; A44C 5/00; A44C 5/0007;
A44C 5/0015; A44C 5/0023; A44C
5/003; A44C 5/0084; A44C 5/0092; A44C
7/00; A44C 7/001; A44C 7/002; A44C
7/003; A44C 7/004; A44C 7/005; A44C
9/00; A44C 9/0038; A44C 9/0046; A44C
9/0053; A44C 9/0061; A44C 9/0069;
A44C 9/0084; A44C 9/02; A44C 13/00;
A44C 17/02; A44C 17/0208; A44C
17/0216; A44C 17/0225; A44C 17/0233;
A44C 17/0241; A44C 17/025; A44C
17/04; A44C 17/046
See application file for complete search history.

D473,817 S * 4/2003 Itzkowitz D11/91
D538,696 S * 3/2007 Azrielant D11/34
D549,129 S * 8/2007 Kothari D11/91
D549,612 S * 8/2007 Kothari A44C 17/046
D11/91
D558,083 S * 12/2007 Kothari D11/91
D584,184 S * 1/2009 Dholakiya D11/91
D587,159 S * 2/2009 Dholakiya D11/91
D643,327 S * 8/2011 Kothari D11/91
D644,141 S * 8/2011 George D11/79
D654,394 S * 2/2012 Kothari D11/91
D655,219 S * 3/2012 Kothari D11/91
D676,349 S * 2/2013 Papadimitriou D11/43
D676,781 S * 2/2013 Papadimitriou D11/79
D680,898 S * 4/2013 Dholakiya D11/91
D684,085 S * 6/2013 Papadimitriou D11/42
D697,451 S * 1/2014 Dholakiya D11/91
D697,831 S * 1/2014 Dholakiya D11/91
D699,146 S * 2/2014 Dholakiya D11/91
D703,090 S * 4/2014 Dholakiya D11/91
D703,091 S * 4/2014 Dholakiya D11/91
D712,302 S * 9/2014 Dholakiya D11/91
D712,303 S * 9/2014 Dholakiya D11/91
D718,651 S * 12/2014 Yatsugi-Kang D11/91

(Continued)

Primary Examiner — Cynthia Ramirez
Assistant Examiner — L. Martinez
(74) Attorney, Agent, or Firm — Leason Ellis LLP

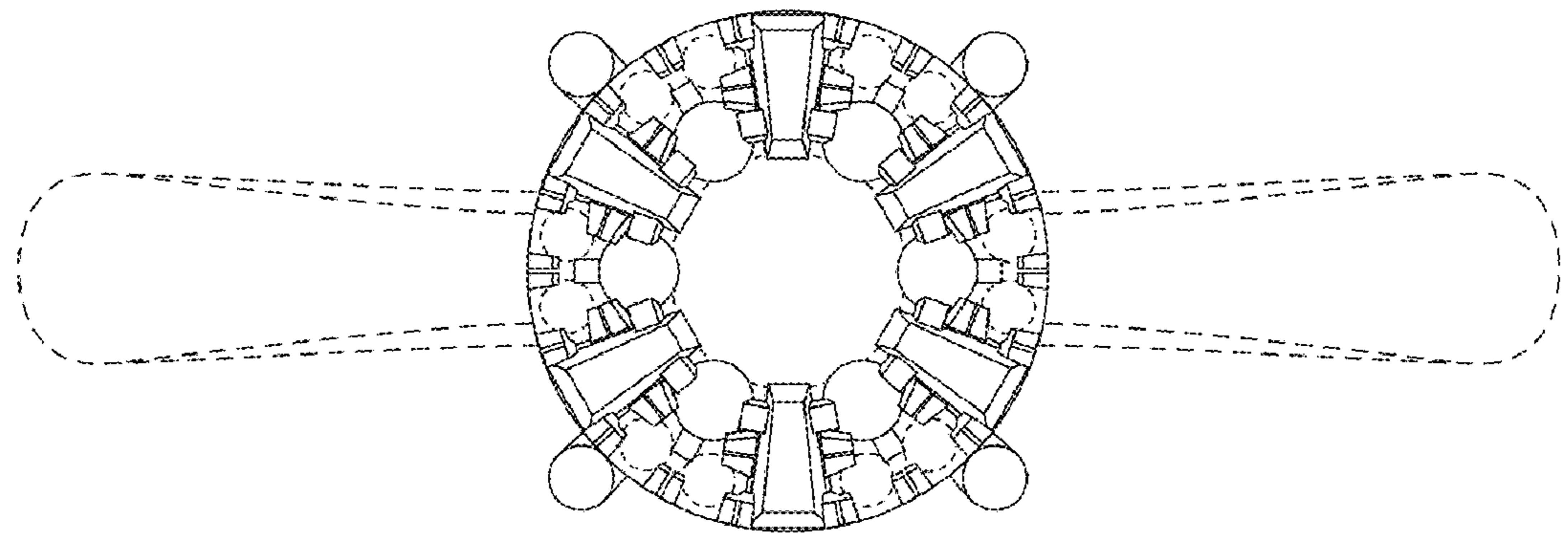
(57) **CLAIM**
The ornamental design for an article of jewelry, as shown and described.

DESCRIPTION

FIG. 1 is a top view of an article of jewelry, showing my new design in an environment of use;
FIG. 2 is a top perspective view thereof;
FIG. 3 is a front view thereof; and,
FIG. 4 is a side elevational view thereof.
The broken lines in the drawings illustrate environment and form no part of the claimed design.

1 Claim, 4 Drawing Sheets

(56) **References Cited**
U.S. PATENT DOCUMENTS
D268,336 S * 3/1983 Shapiro D11/79
D311,504 S * 10/1990 De Frahan D11/79
D388,016 S * 12/1997 Kejejian D11/91
D410,407 S * 6/1999 Tirakian D11/92
D413,543 S * 9/1999 Behr D11/79
D415,446 S * 10/1999 Kattan D11/79



(56)

References Cited

U.S. PATENT DOCUMENTS

D722,279 S *	2/2015	Kirkham	D11/81
D732,419 S *	6/2015	Wong	D11/86
D754,024 S *	4/2016	Yep	D11/92
D754,025 S *	4/2016	Baid	D11/92
D779,371 S *	2/2017	Baid	D11/92

* cited by examiner

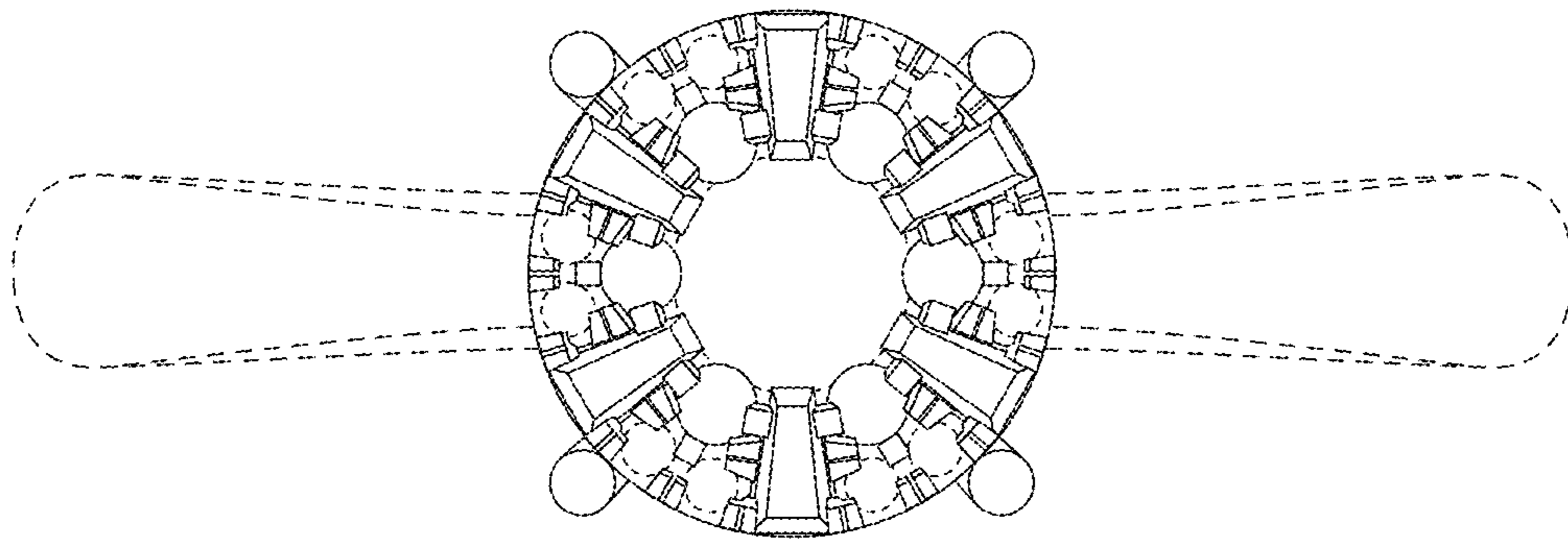


FIG. 1

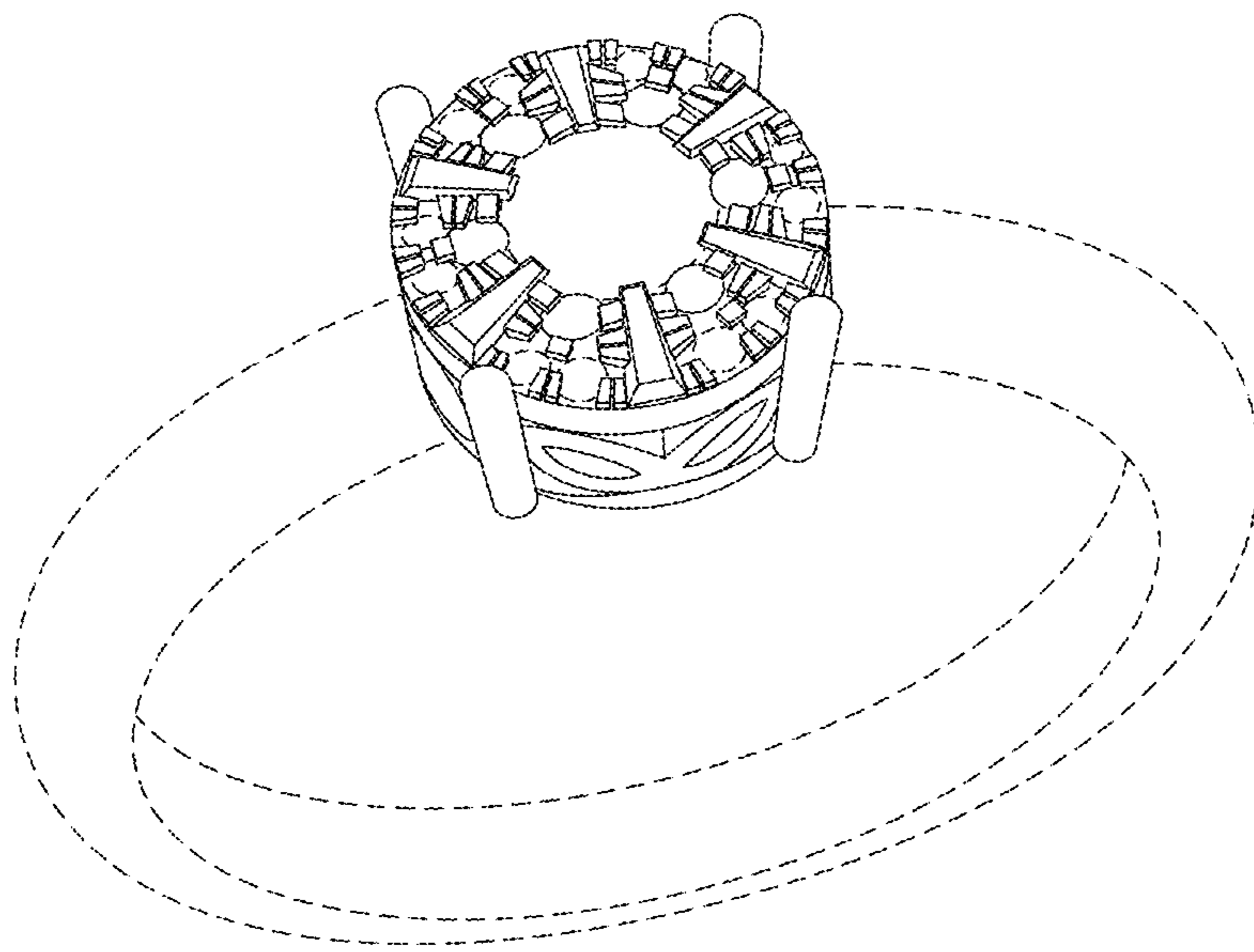


FIG. 2

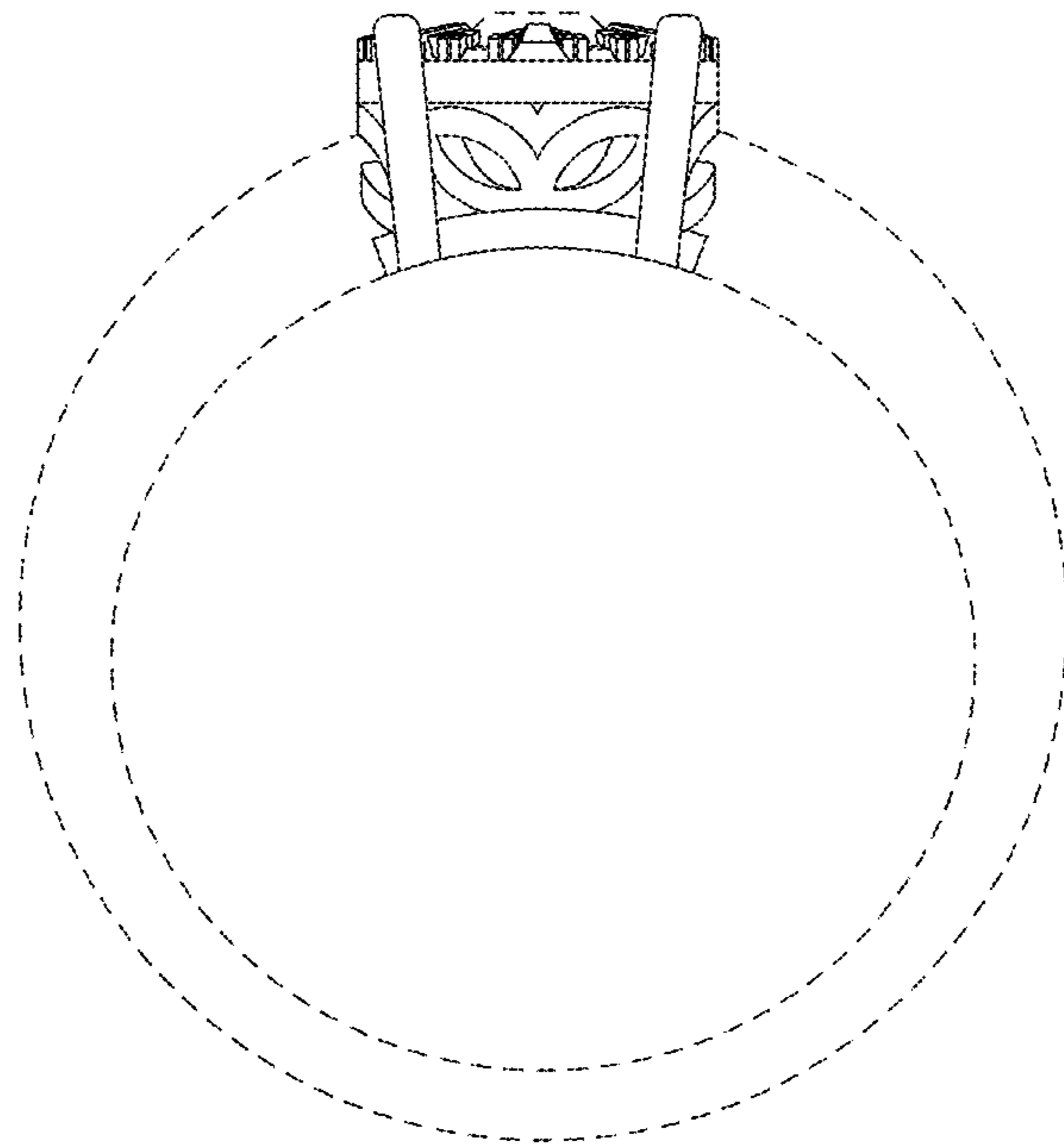


FIG. 3

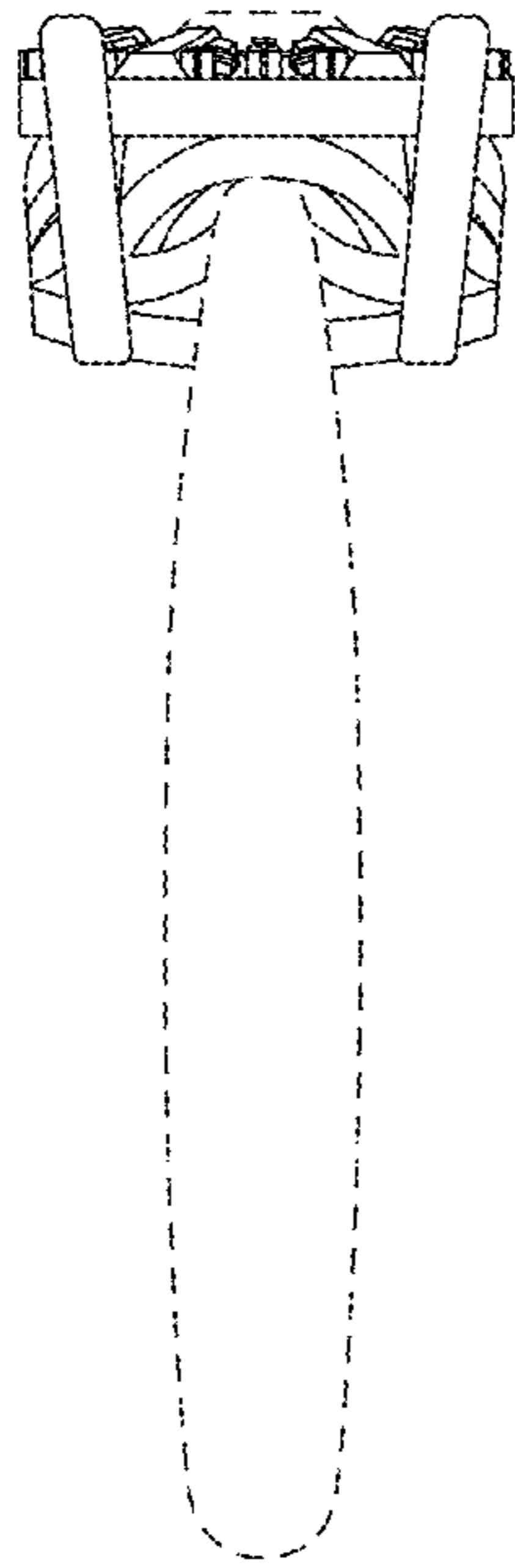


FIG. 4