

US00D851534S

(12) **United States Design Patent** (10) **Patent No.:** **US D851,534 S**  
**Bhosale** (45) **Date of Patent:** **\*\* Jun. 18, 2019**

(54) <b>JEWEL SETTING</b>	D322,043 S * 12/1991 Chia .....	D11/6
	D325,711 S * 4/1992 Chia .....	D11/6
(71) Applicant: <b>Jewelex New York, Ltd.</b> , New York, NY (US)	D329,026 S * 9/1992 Chia .....	D11/6
	D336,059 S * 6/1993 Chia .....	D11/6
	D336,060 S * 6/1993 Chia .....	D11/6
(72) Inventor: <b>Nayan Ramchandra Bhosale</b> , Maharashtra (IN)	7,444,835 B2 11/2008 Mehta	
	7,861,555 B2 1/2011 Seliktar	
	8,215,126 B2 7/2012 Mattar	
	D692,342 S 10/2013 Bennett	
(73) Assignee: <b>JEWELX NEW YORK, LTD.</b> , New York, NY (US)	D726,577 S * 4/2015 Weems .....	D11/86
	D748,523 S * 2/2016 Vartanian .....	D11/26
	D751,939 S * 3/2016 Vartanian .....	D11/91
(**) Term: <b>15 Years</b>	9,582,615 B2 2/2017 Carbonera	
	D783,446 S * 4/2017 Kothari .....	D11/91

(Continued)

(21) Appl. No.: **29/676,729**

(22) Filed: **Jan. 14, 2019**

**Related U.S. Application Data**

(63) Continuation-in-part of application No. 15/279,247,  
filed on Sep. 28, 2016, now abandoned.

(51) **LOC (11) Cl.** ..... **11-01**

(52) **U.S. Cl.**  
USPC ..... **D11/91**

(58) **Field of Classification Search**  
USPC ..... D11/1-4, 16, 26, 32, 34-36, 40-44, 56,  
D11/83, 91, 92

CPC ..... A44C 5/00; A44C 5/0053; A44C 5/0084;  
A44C 5/0092; A44C 5/12; A44C 5/14;  
A44C 1/00; A44C 15/00; A44C 17/006;  
A44C 17/02; A44C 17/04; A44C 17/043;  
A44C 17/046

See application file for complete search history.

(56) **References Cited**

**U.S. PATENT DOCUMENTS**

D104,863 S * 6/1937 Lemmon .....	D11/36
D130,419 S * 11/1941 Schaeffer .....	D11/36
2,273,227 A 2/1942 Simmons	
D156,626 S * 12/1949 Jackson .....	D11/36
5,056,337 A * 10/1991 Nhaissi .....	A44C 17/02

63/26

*Primary Examiner* — Cynthia Ramirez

*Assistant Examiner* — L. Martinez

(74) *Attorney, Agent, or Firm* — Andrew F. Young, Esq.;  
Lackebach Siegel, LLP

(57) **CLAIM**

The ornamental design for a jewel setting, as shown and described.

**DESCRIPTION**

FIG. 1 is front top left perspective view of a jewel setting showing my new design.

FIG. 2 is a front top right perspective view thereof.

FIG. 3 is a rear top perspective view thereof.

FIG. 4 is a front elevation view thereof.

FIG. 5 is a rear elevation view thereof.

FIG. 6 is a left side elevation view thereof.

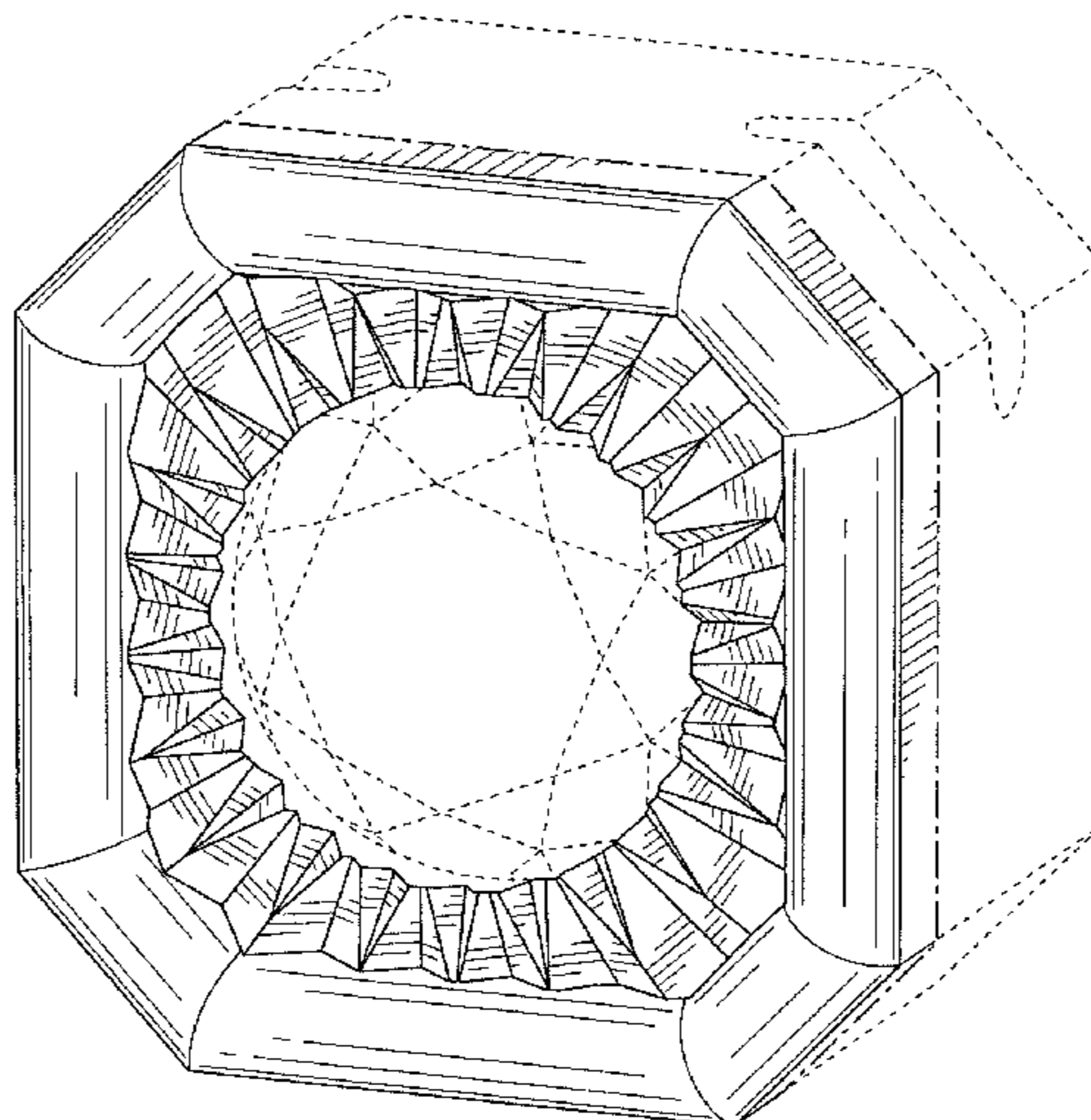
FIG. 7 is a right side elevation view thereof.

FIG. 8 is a top plan view thereof; and,

FIG. 9 is a bottom plan view thereof.

The dash-dash lines represent portions of the jewel setting that form no part of the claimed design. The dash-dot lines represent the bounds of the claimed design and form no part thereof.

**1 Claim, 9 Drawing Sheets**



(56)

**References Cited**

U.S. PATENT DOCUMENTS

D798,188 S \* 9/2017 Wong ..... D11/92  
D808,851 S \* 1/2018 Kwon ..... D11/40  
D813,717 S \* 3/2018 Shah ..... D11/91  
2015/0342310 A1\* 12/2015 Kei ..... A44C 17/046  
63/28  
2019/0021459 A1\* 1/2019 Lin ..... A44C 17/04

\* cited by examiner

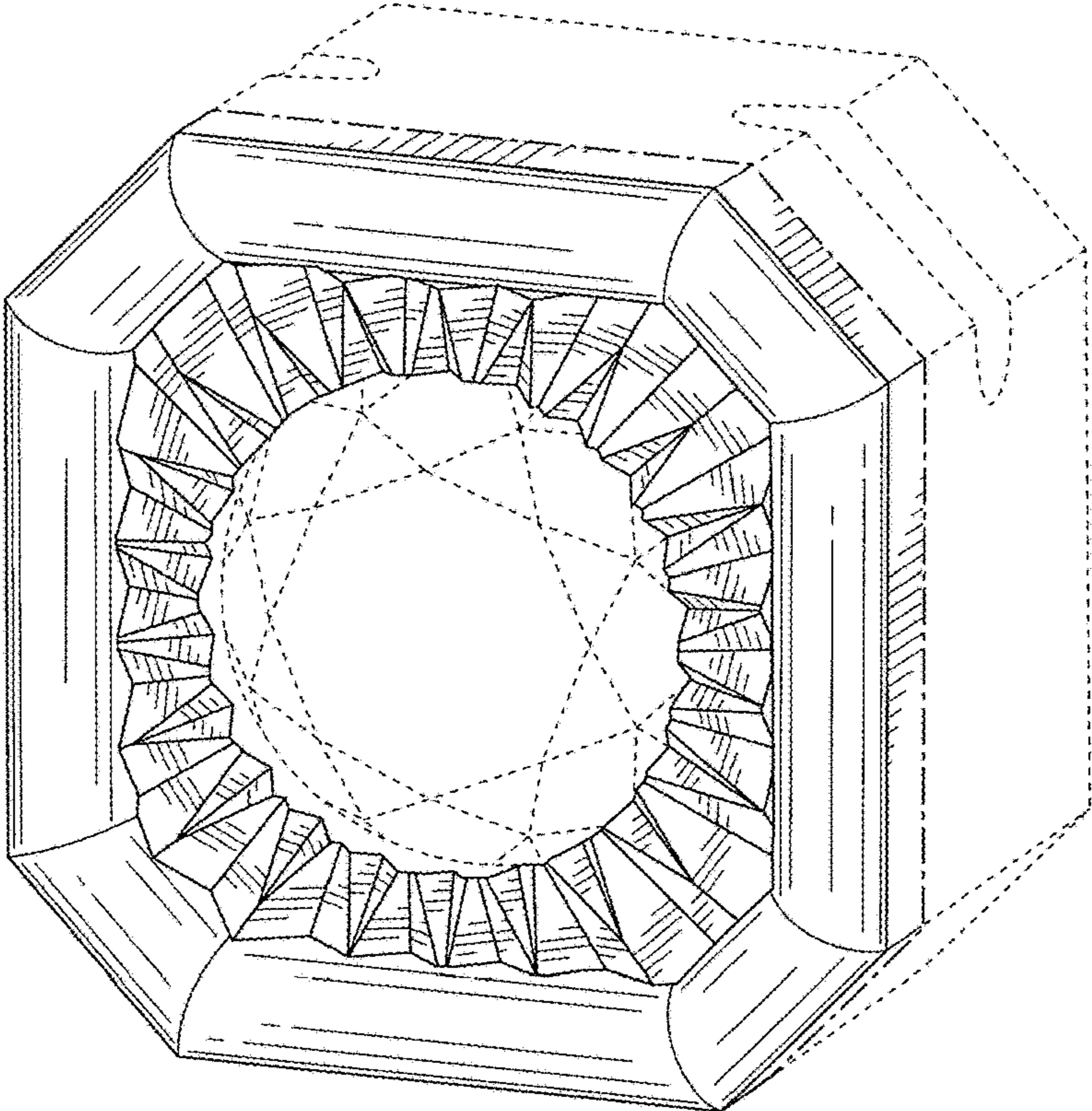


FIG. 1

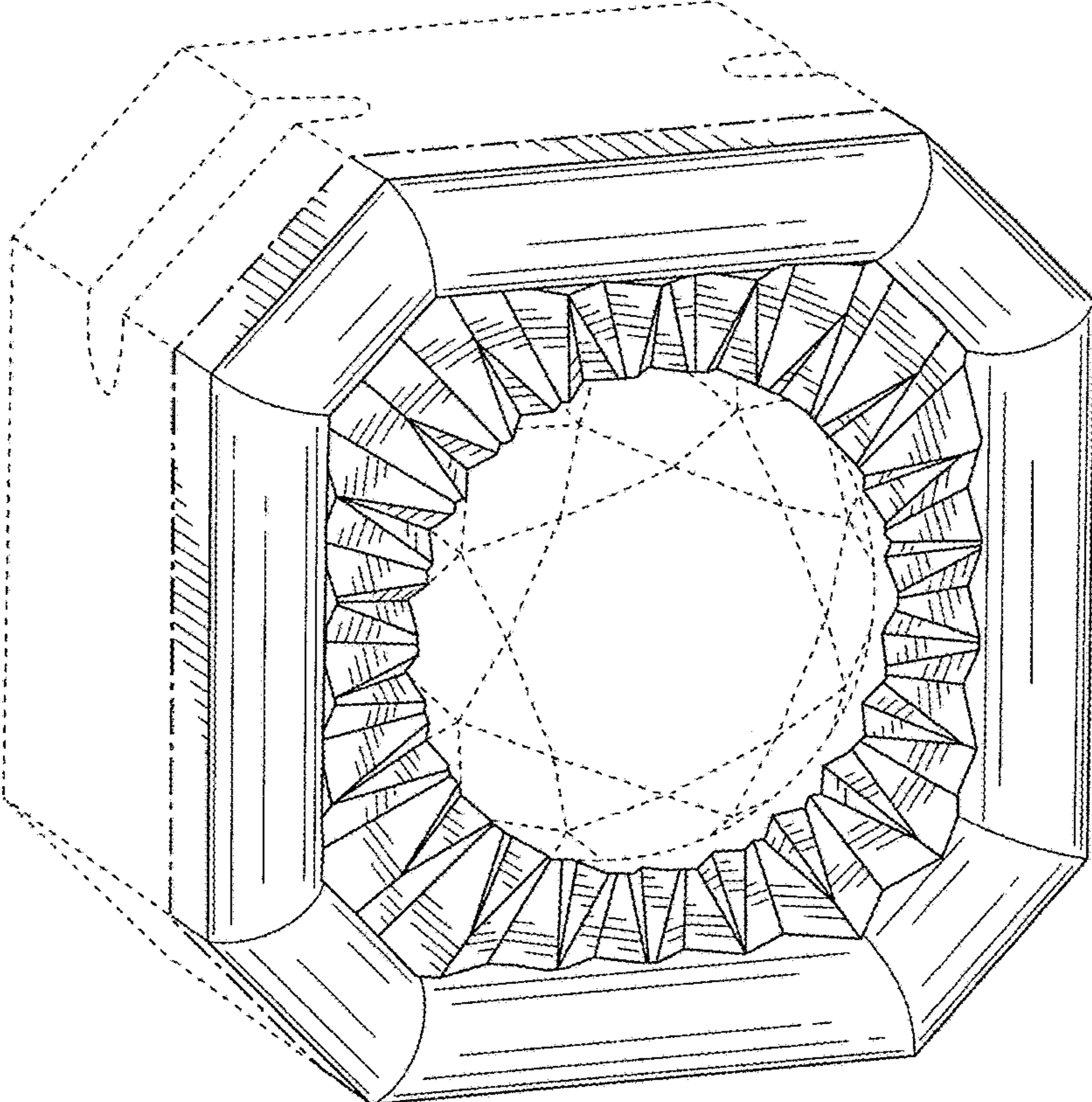


FIG. 2



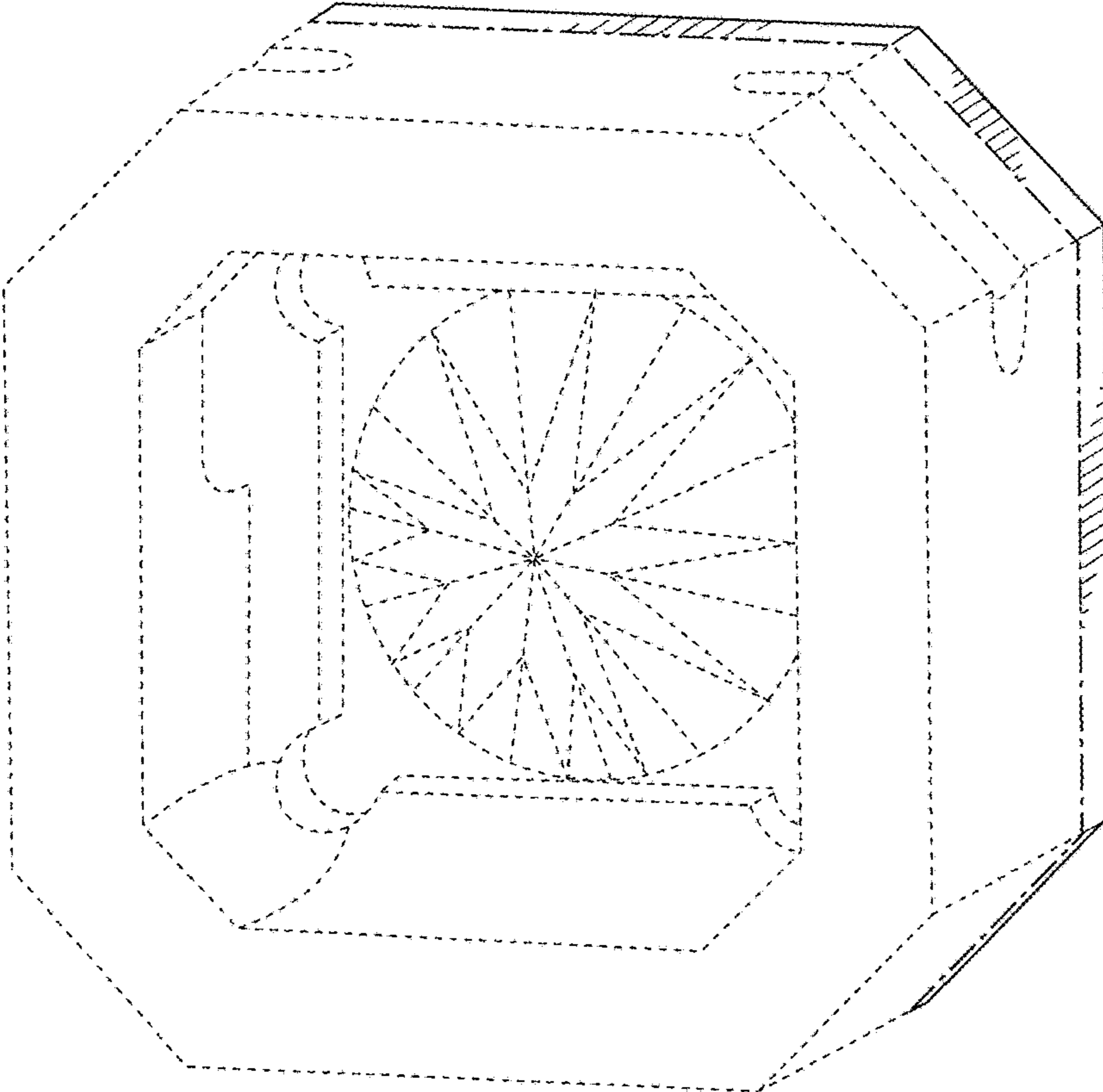


FIG. 3

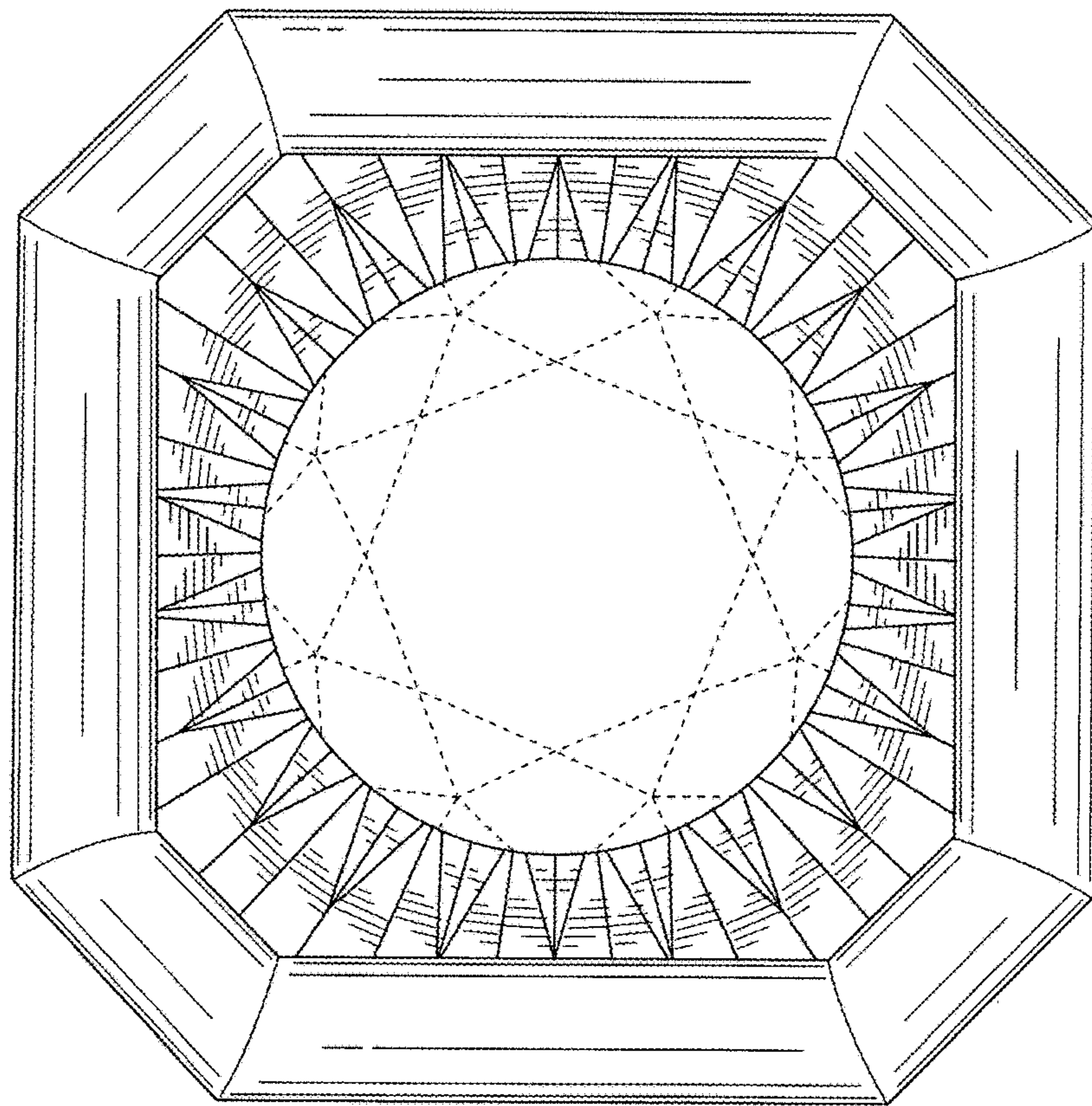


FIG. 4

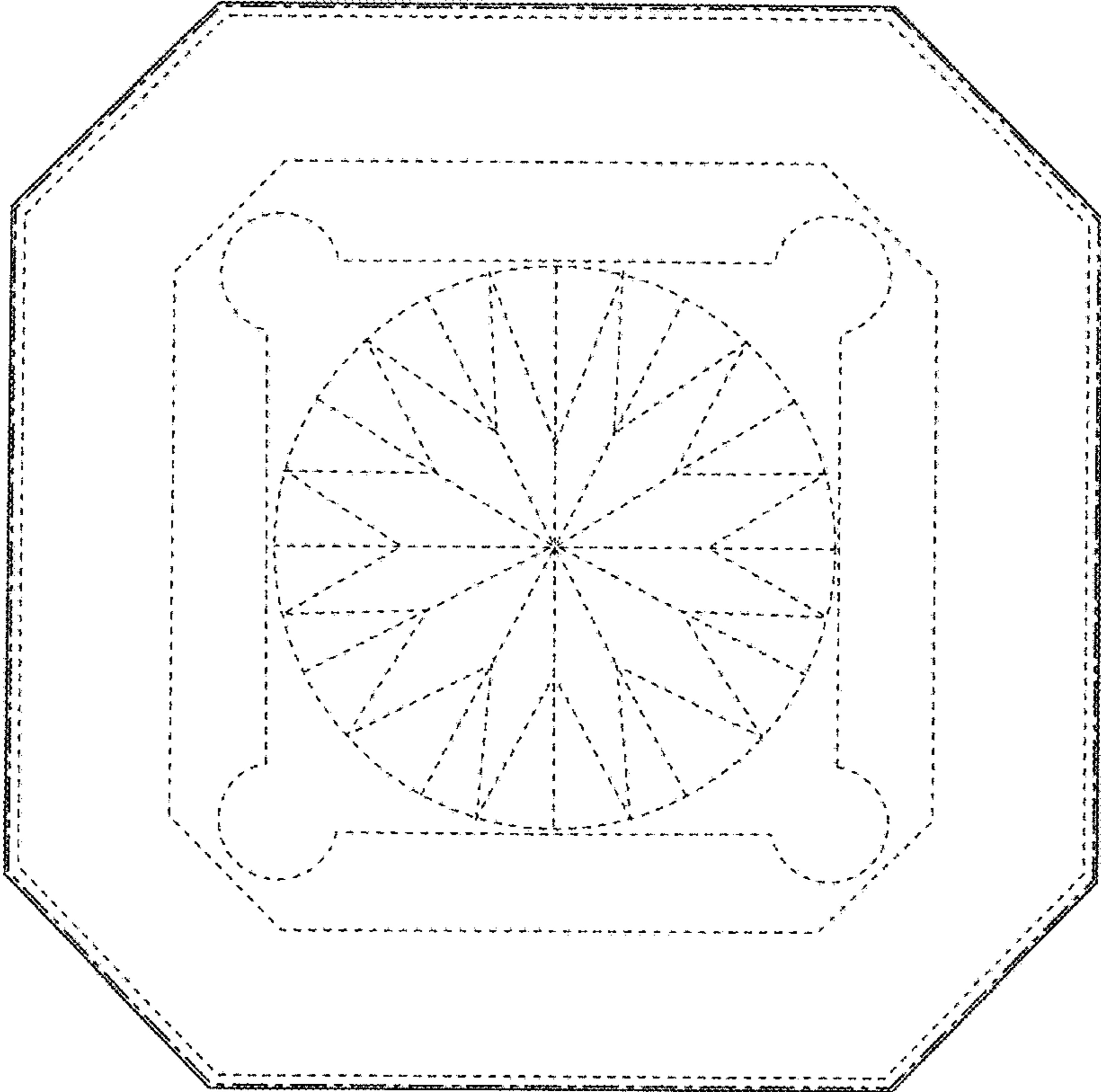


FIG. 5

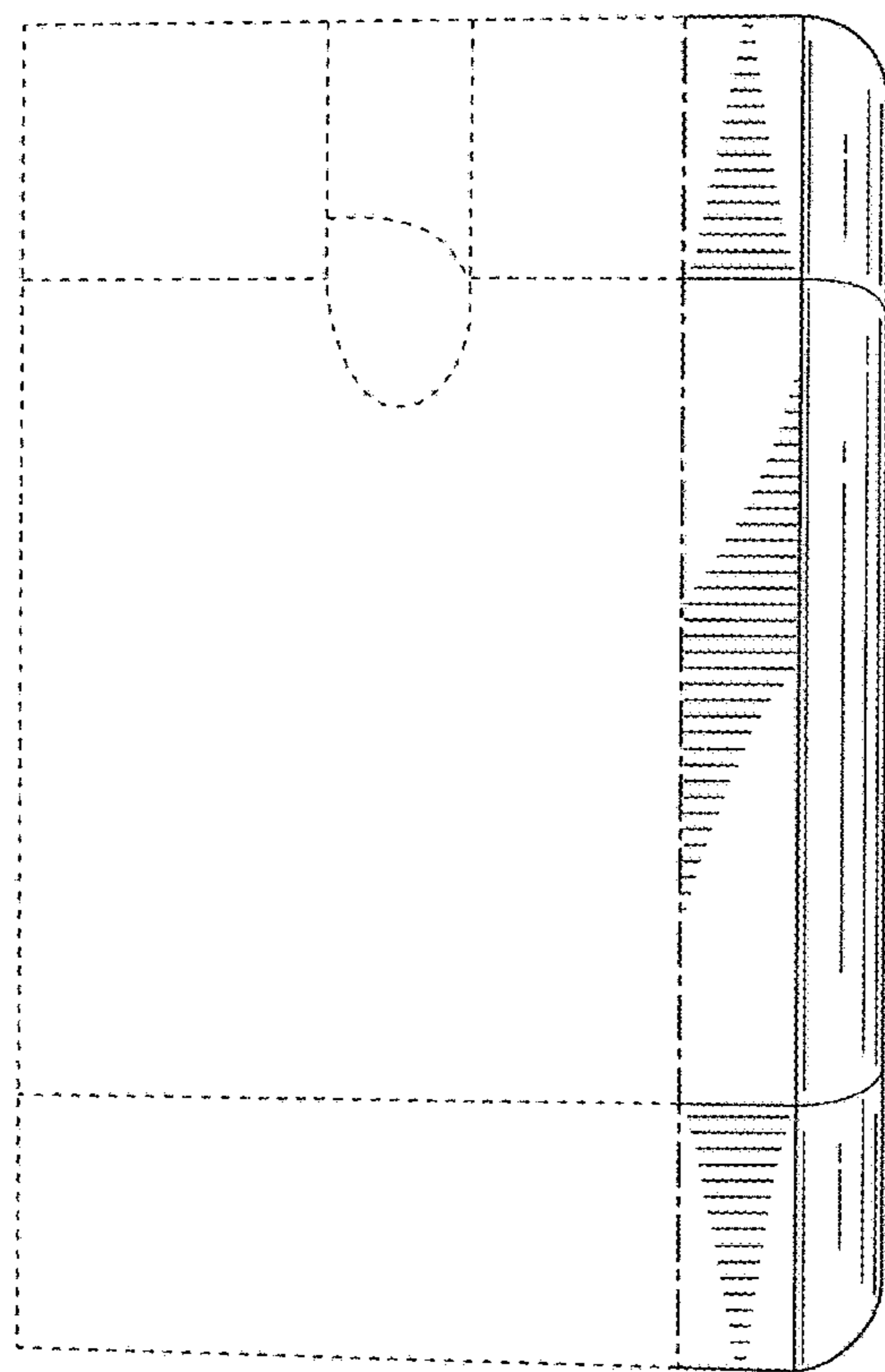


FIG. 6



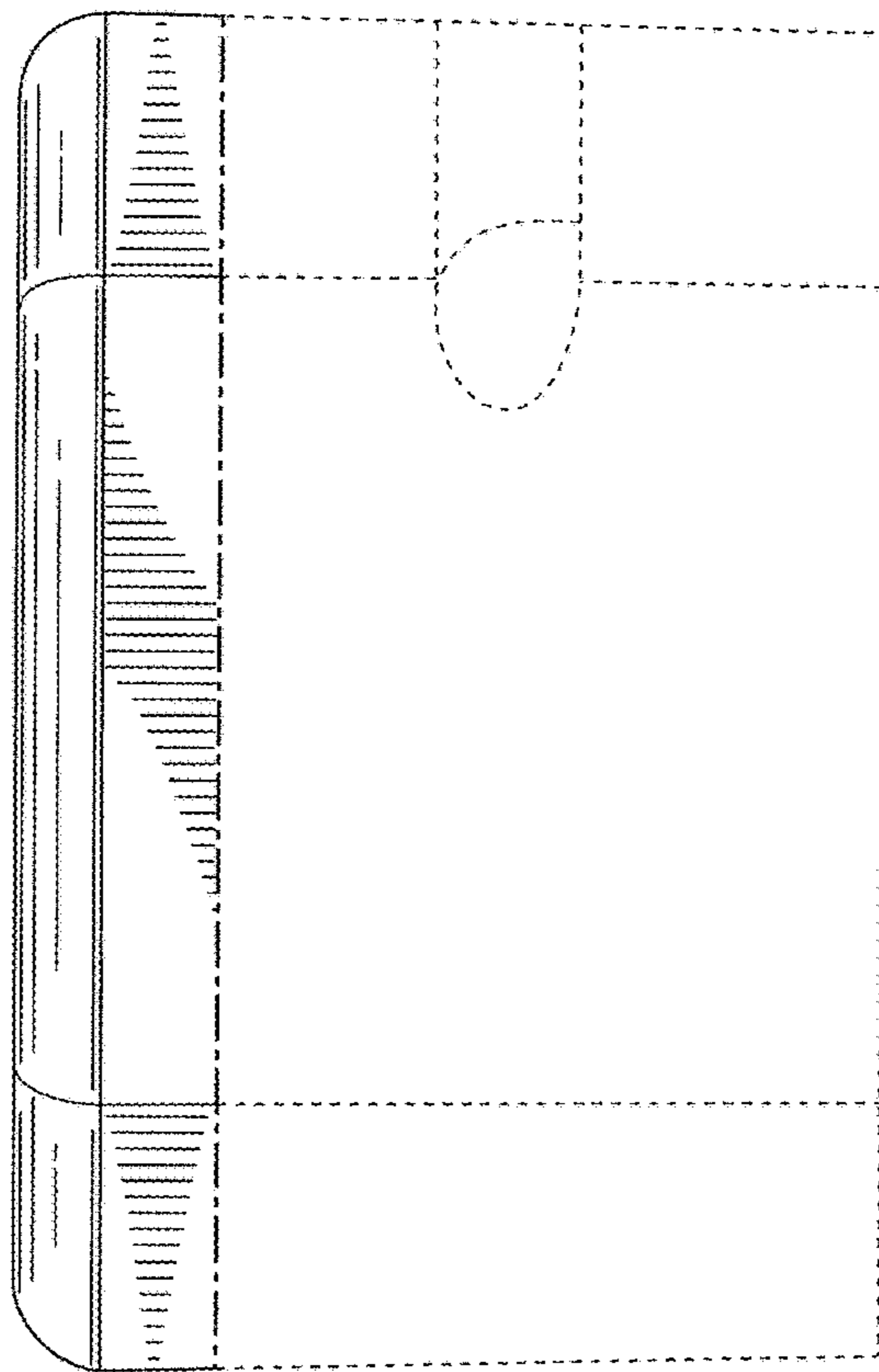


FIG. 7

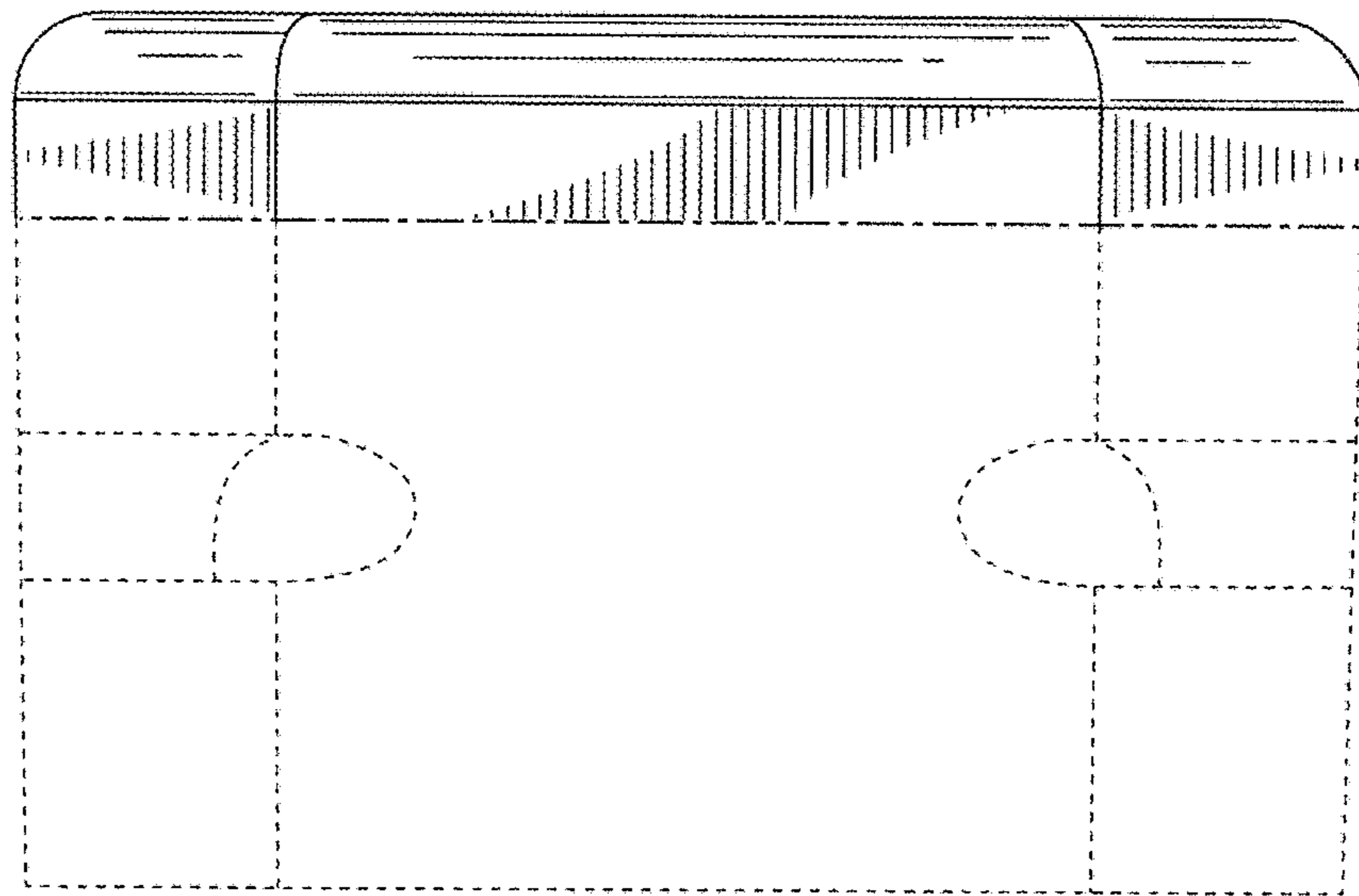


FIG. 8

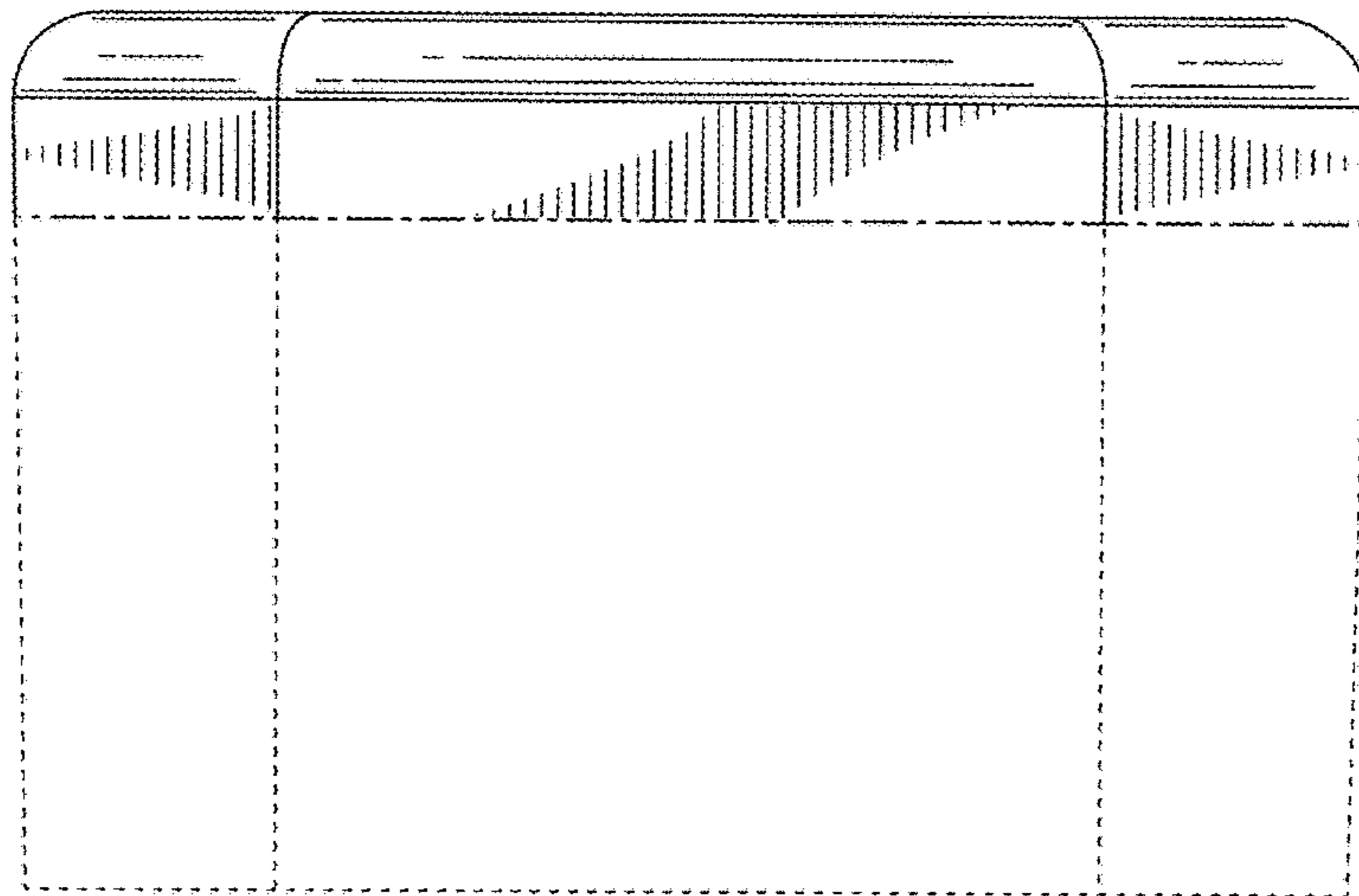


FIG. 9