



US00D851532S

(12) **United States Design Patent**
Yamada

(10) **Patent No.:** **US D851,532 S**
(45) **Date of Patent:** **** Jun. 18, 2019**

- (54) **EARRING**
- (71) Applicant: **TASAKI & Co., Ltd.**, Kobe (JP)
- (72) Inventor: **Yoshikazu Yamada**, Tokyo (JP)
- (73) Assignee: **TASAKI & CO., Ltd.**, Kobe (JP)
- (**) Term: **15 Years**
- (21) Appl. No.: **29/638,243**
- (22) Filed: **Feb. 26, 2018**
- (30) **Foreign Application Priority Data**
 - Aug. 31, 2017 (JP) 2017-018874
- (51) **LOC (11) Cl.** **11-01**
- (52) **U.S. Cl.**
 - USPC **D11/40**
- (58) **Field of Classification Search**
 - USPC ... D11/1, 2, 7, 8, 40, 41, 42, 43, 44, 45, 48,
D11/51, 52, 62, 76, 79, 80, 81, 82, 84,
D11/100, 110
 - CPC .. A44C 1/00; A44C 3/008; A44C 7/00; A44C
7/002; A44C 7/003; A44C 7/004; A44C
7/005; A44C 7/006; A44C 7/007; A44C
7/008; A44C 7/009; A44C 13/00; A44C
15/001; A44C 15/0025; A44C 25/001;
A44C 25/004; A44C 25/005; A44C
25/007; A44C 25/008

See application file for complete search history.

- 4,282,721 A * 8/1981 Roach A44C 7/00
63/14.1
- D271,952 S * 12/1983 Altman D11/78
- 4,574,595 A * 3/1986 Moody A44B 9/08
24/711.4
- 4,704,878 A * 11/1987 Saraga A44C 7/00
63/14.1

(Continued)

OTHER PUBLICATIONS

Buoy Earrings (available online) Retrieved from the internet Jan. 9, 2019 from URL:https://www.tasaki-global.com/jewellery/atelier/surrealism/buoy/EN-4104-18KWG/?jewellery=earrings.*

(Continued)

Primary Examiner — Kevin K Rudzinski
Assistant Examiner — Richard Kearney
(74) *Attorney, Agent, or Firm* — Fitch, Even, Tabin & Flannery LLP

(57) **CLAIM**

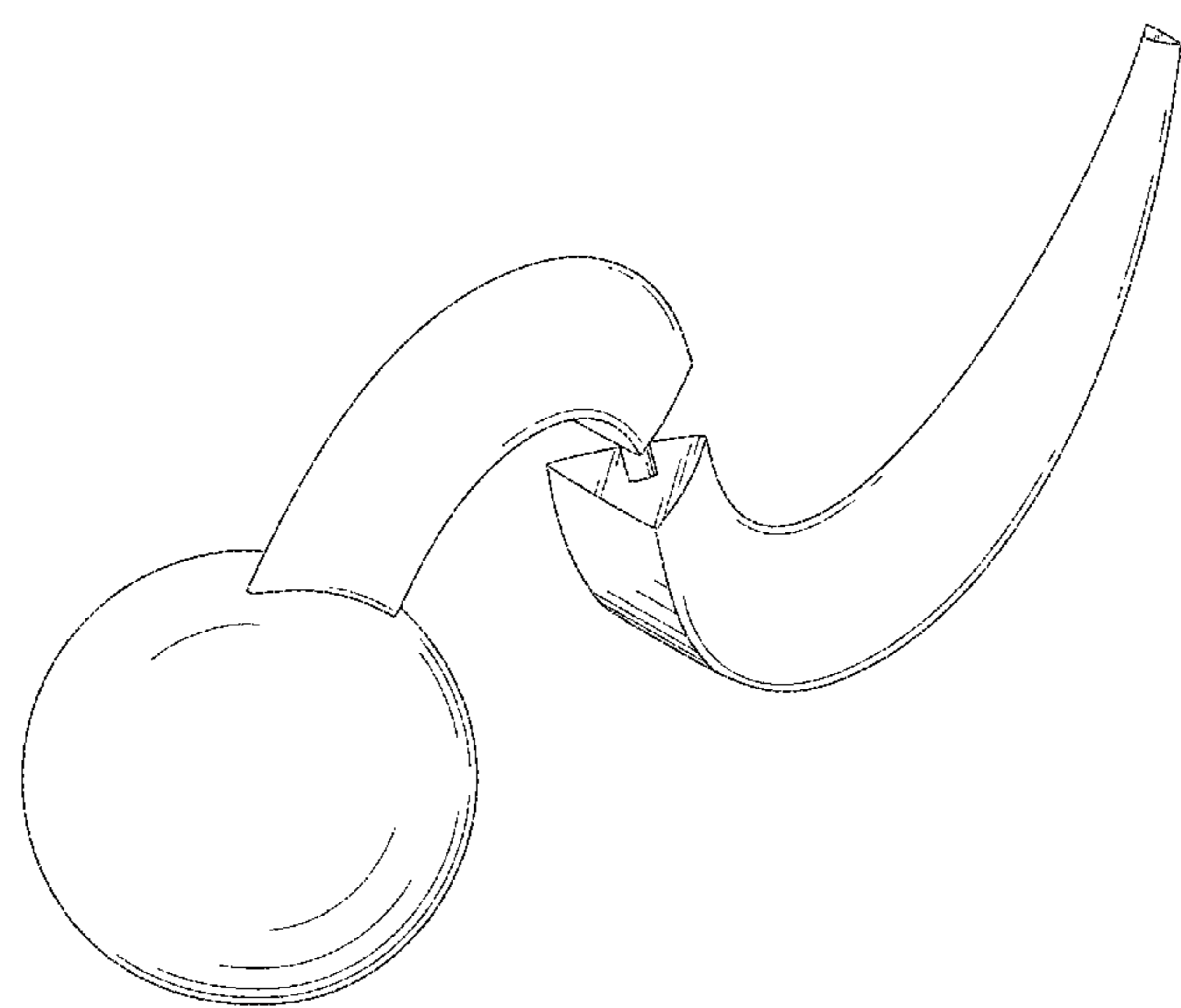
I claim the ornamental design for an earring, as shown and described.

DESCRIPTION

FIG. 1 is a front, top, and left side perspective view of an earring showing my new design;
FIG. 2 is a rear, bottom, and right side perspective view thereof;
FIG. 3 is a front elevational view thereof;
FIG. 4 is a rear elevational view thereof;
FIG. 5 is a top plan view thereof;
FIG. 6 is a bottom plan view thereof;
FIG. 7 is a right side elevational view thereof;
FIG. 8 is a left side elevational view thereof; and,
FIG. 9 is a referential view showing the article in use.
The broken lines in FIG. 9 depict environmental subject matter only and form no part of the claimed design.

1 Claim, 9 Drawing Sheets

- (56) **References Cited**
 - U.S. PATENT DOCUMENTS
 - D133,370 S * 8/1942 Josephy D11/44
 - D138,864 S * 9/1944 Leary D11/40
 - D142,655 S * 10/1945 Philippe D11/40
 - D146,464 S * 3/1947 Chernow D11/40
 - 3,828,577 A * 8/1974 Haynes A44C 15/002
128/204.12
 - D241,464 S * 9/1976 Ravkiad D11/40



(56)

References Cited

U.S. PATENT DOCUMENTS

4,841,745 A * 6/1989 Hudson A44C 7/003
63/12
5,074,128 A * 12/1991 Kowalski A44C 7/00
63/12
D376,335 S * 12/1996 Shechter D11/40
D394,412 S * 5/1998 Hanson D11/40
D408,315 S * 4/1999 Lavalais D11/41
D420,304 S * 2/2000 Porcell D11/40
D554,020 S * 10/2007 Bruno D11/40
D654,389 S * 2/2012 Gordon D11/2
D665,297 S * 8/2012 Parris D11/40
D727,778 S * 4/2015 Levinson A44C 7/003
D11/86

OTHER PUBLICATIONS

Pearls No. 15 (available online) Retrieved from the internet Jan. 9,
2019 from URL: [https://www.briangavindiamonds.com/pearl-earrings/
pearls-no-15-18k-white-gold-6373w18](https://www.briangavindiamonds.com/pearl-earrings/pearls-no-15-18k-white-gold-6373w18).*

* cited by examiner

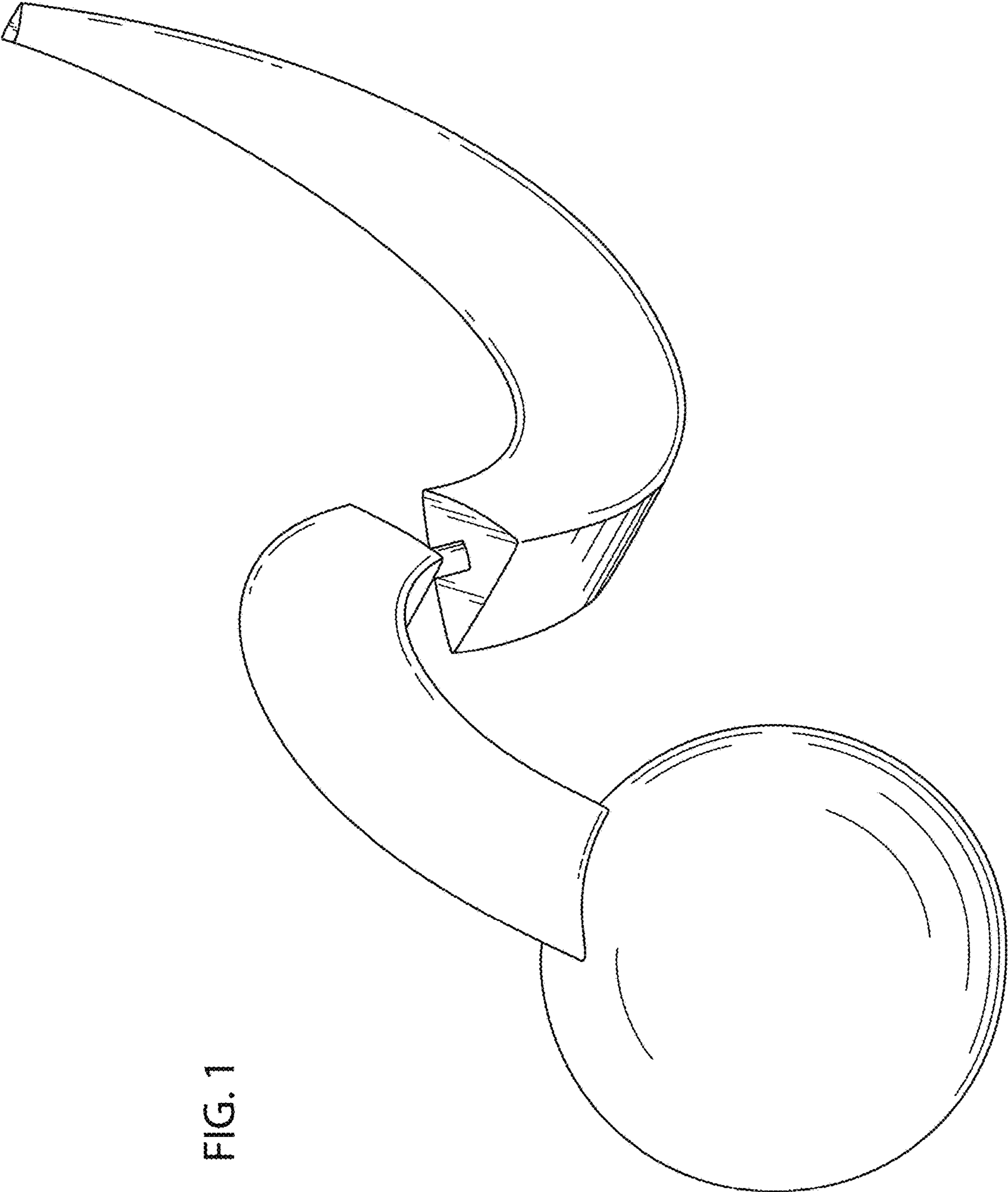


FIG. 1

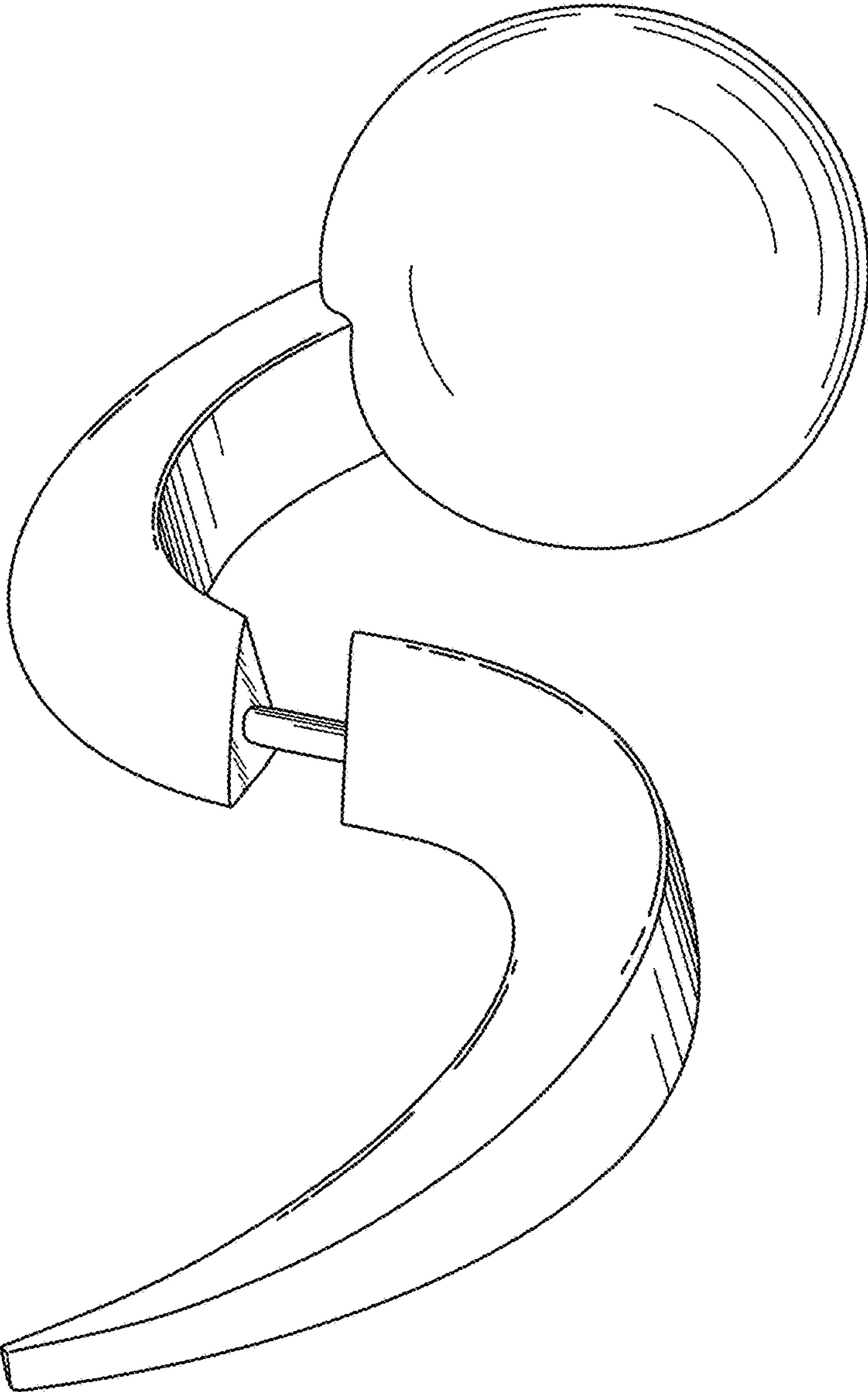


FIG. 2

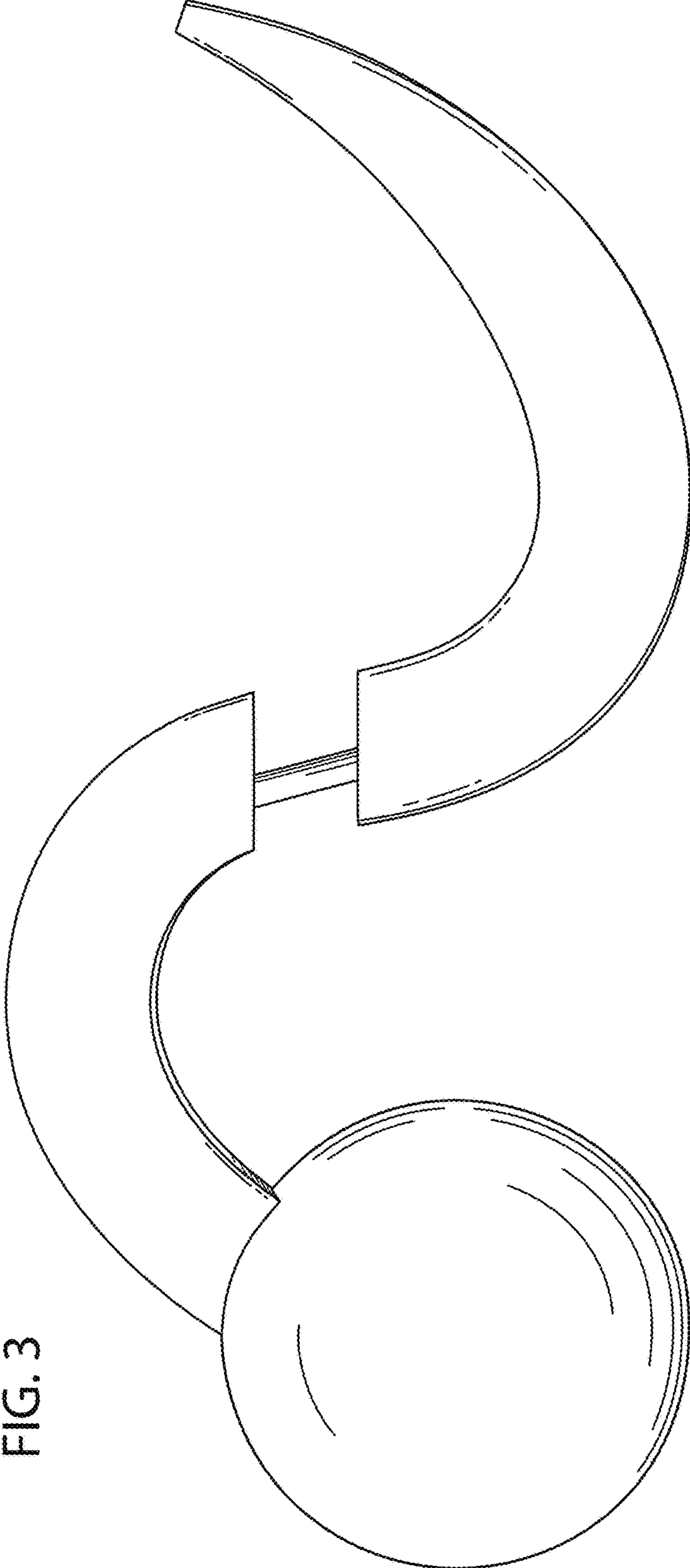


FIG. 3

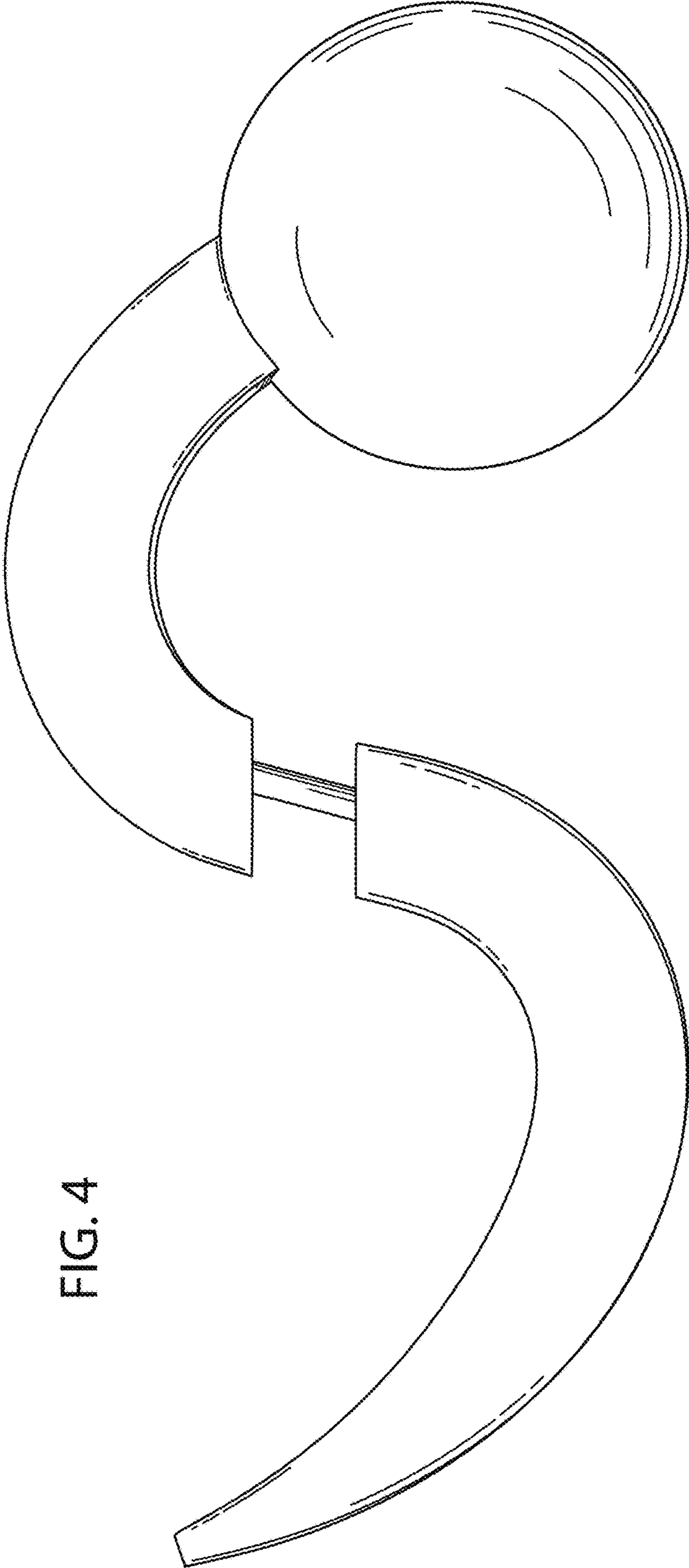


FIG. 4

FIG. 5

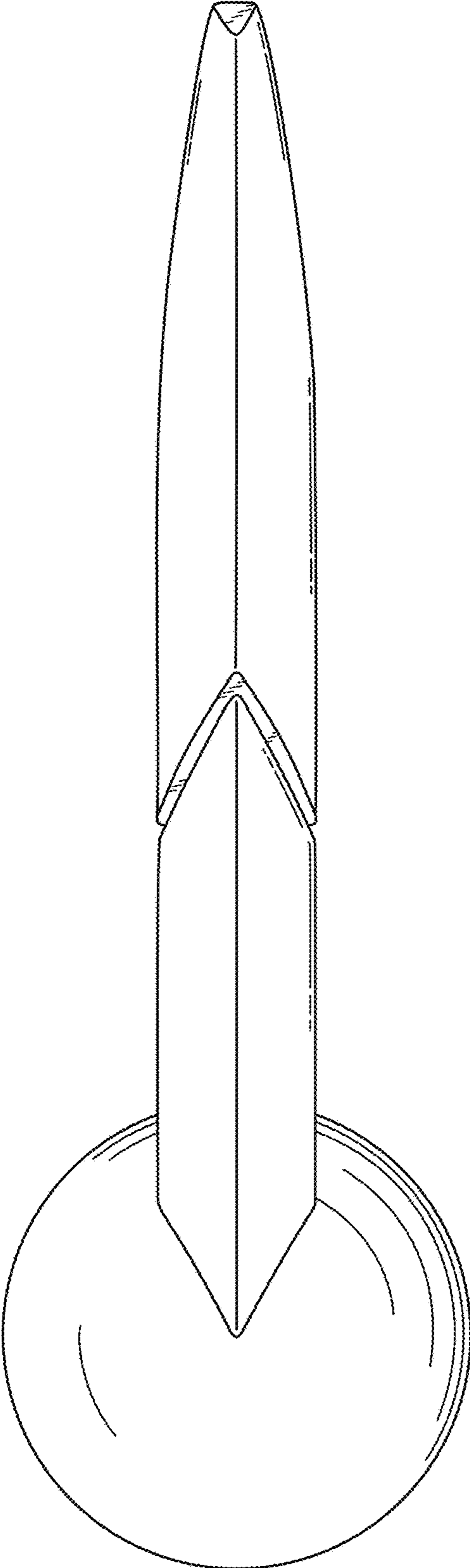


FIG. 6

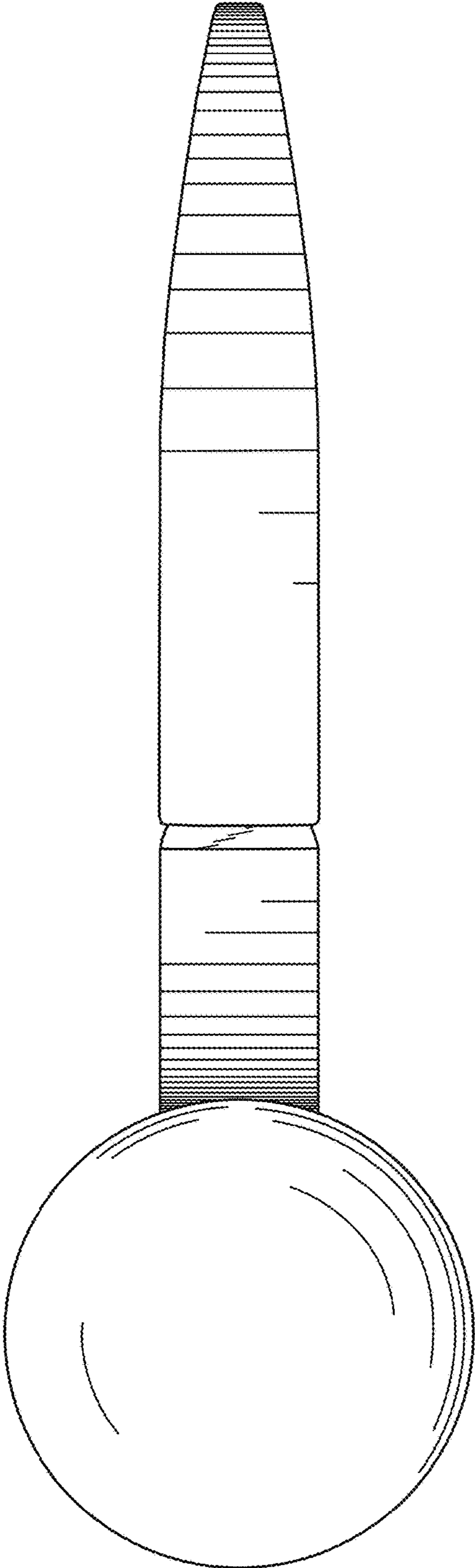
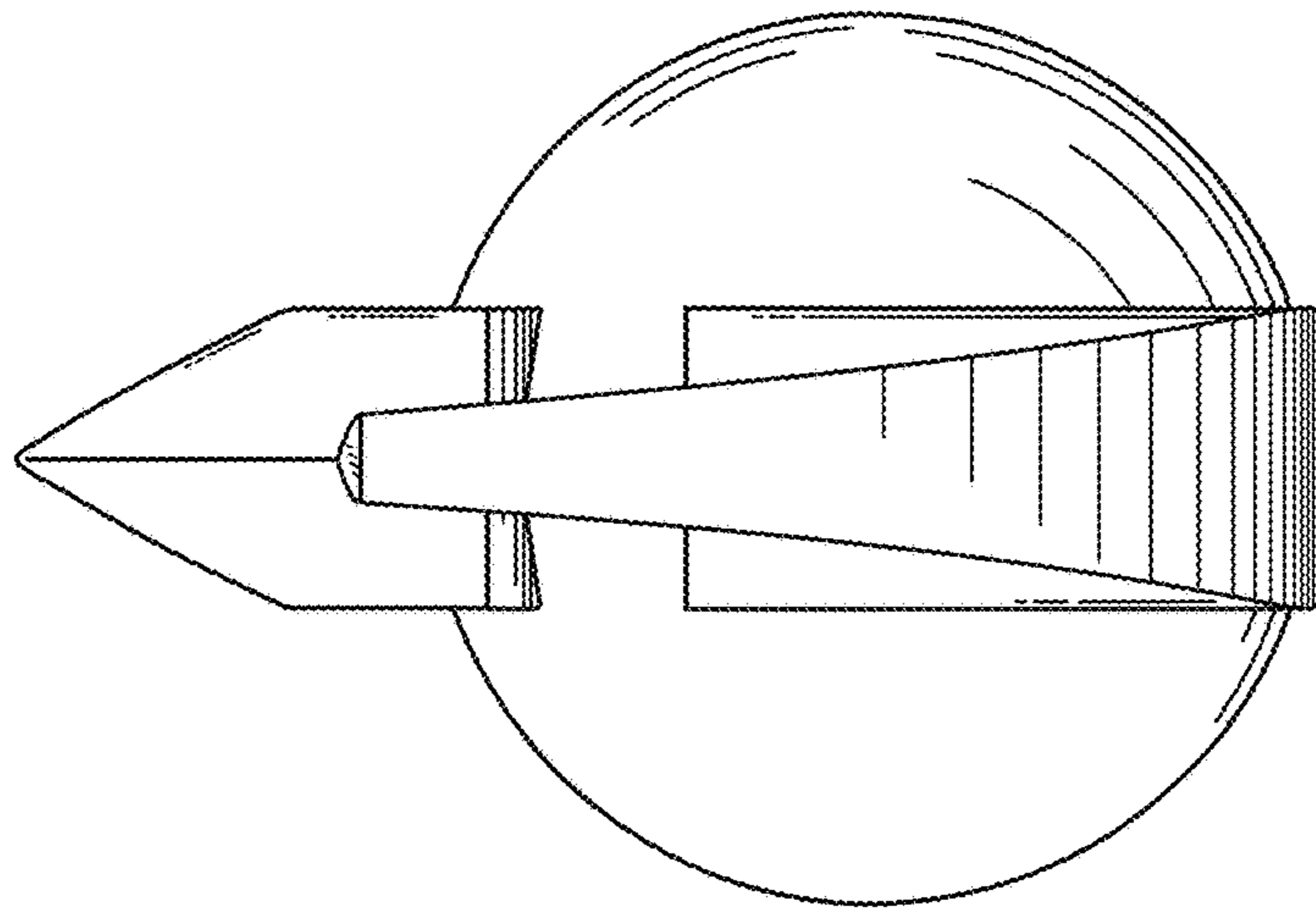


FIG. 7



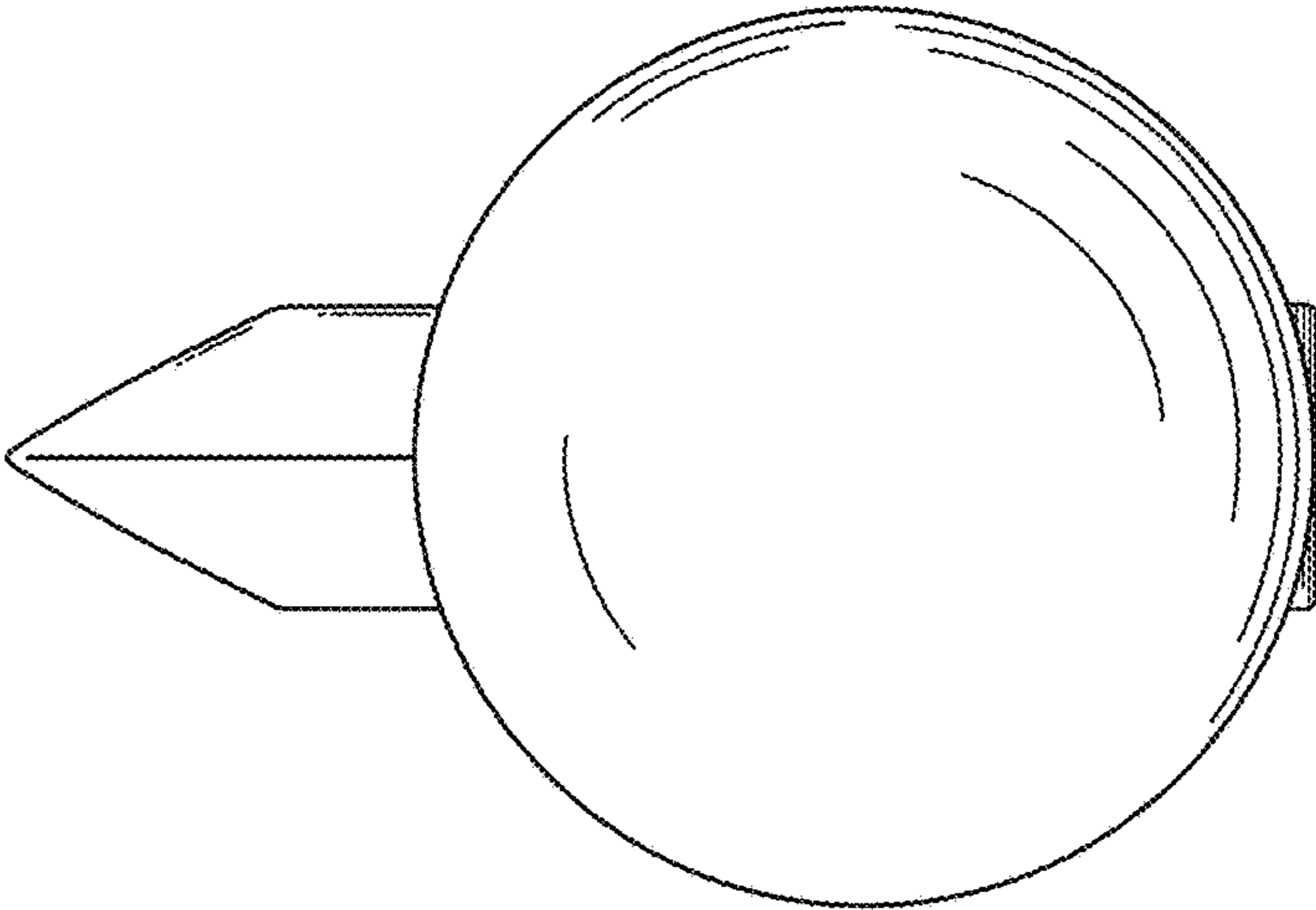


FIG. 8

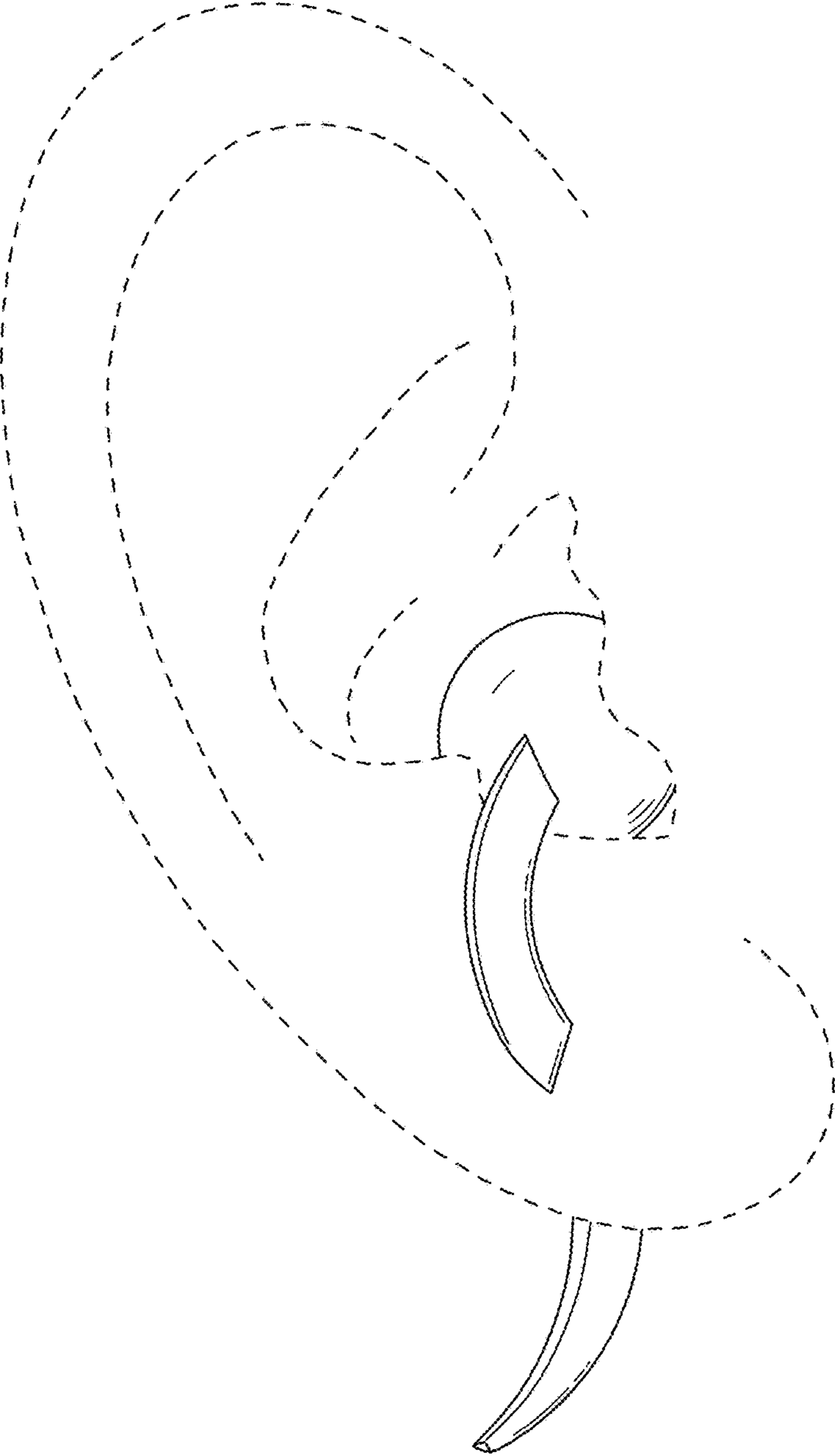


FIG. 9