



US00D851527S

(12) **United States Design Patent** (10) **Patent No.:** **US D851,527 S**
Kelley (45) **Date of Patent:** **** Jun. 18, 2019**

(54) **CAMERA MOUNTS FOR RADAR GUN ASSEMBLY**
(71) Applicant: **Hollywood South Digital Post, Inc.**, Gresham, OR (US)
(72) Inventor: **Jerry Lowell Kelley**, Gresham, OR (US)
(73) Assignee: **HOLLYWOOD SOUTH DIGITAL POST, INC.**, Gresham, OR (US)
(**) Term: **15 Years**
(21) Appl. No.: **29/631,491**
(22) Filed: **Dec. 29, 2017**
(51) **LOC (11) Cl.** **10-04**
(52) **U.S. Cl.**
USPC **D10/103**; D16/219
(58) **Field of Classification Search**
USPC D10/98, 103; D16/219
CPC F41A 23/00; F41A 23/02; F41A 23/16;
F41A 23/18; F41A 27/00; F41G 1/00;
F41G 3/165
See application file for complete search history.

(56) **References Cited**

U.S. PATENT DOCUMENTS

D287,703 S * 1/1987 Kobos D10/103
8,446,467 B2 5/2013 Tilton
9,791,230 B2 * 10/2017 Plourde F41A 17/06

OTHER PUBLICATIONS

U.S. Appl. No. 15/859,302 / Applicant Response to Pre-Exam Formalities Notice, dated Mar. 5, 2018, 4 pages.
U.S. Appl. No. 15/859,302 / Filing Receipt, dated Mar. 8, 2018, 3 pages.
U.S. Appl. No. 15/859,302 / Preliminary Amendment, dated May 4, 2018, 4 pages.

U.S. Appl. No. 16/236,241 / Application as filed, dated Dec. 28, 2018, 100 pages.
U.S. Appl. No. 29/631,491 / Application as filed, dated Dec. 29, 2017, 13 pages.
U.S. Appl. No. 29/631,491 / Notice to File Missing Parts, dated Feb. 9, 2018, 2 pages.
U.S. Appl. No. 29/631,491 / Filing Receipt, dated Feb. 9, 2018, 3 pages.
U.S. Appl. No. 29/631,491 / Applicant Response to Pre-Exam Formalities Notice, dated Apr. 8, 2018, 4 pages.
U.S. Appl. No. 29/631,491 / Updated Filing Receipt, dated Apr. 10, 2018, 3 pages.
NeTV Main Page—Studio Kousagi Wiki, https://www.kosagi.com/w/index.php?title=NeTV_Main_Page, accessed Jan. 10, 2018, 3 pages.
RA-VID ProSport, “All-In-One” Video Camera, Radar Gun & Stopwatch, marketing material, 2 pages.
Andrew Huang (hacker) Wikipedia article, [https://en.wikipedia.org/wiki/Andrew_Huang_\(hacker\)](https://en.wikipedia.org/wiki/Andrew_Huang_(hacker)), accessed Jan. 10, 2018, 4 pages.

(Continued)

Primary Examiner — Antoine Duval Davis
(74) *Attorney, Agent, or Firm* — Berkeley Law & Technology Group LLP

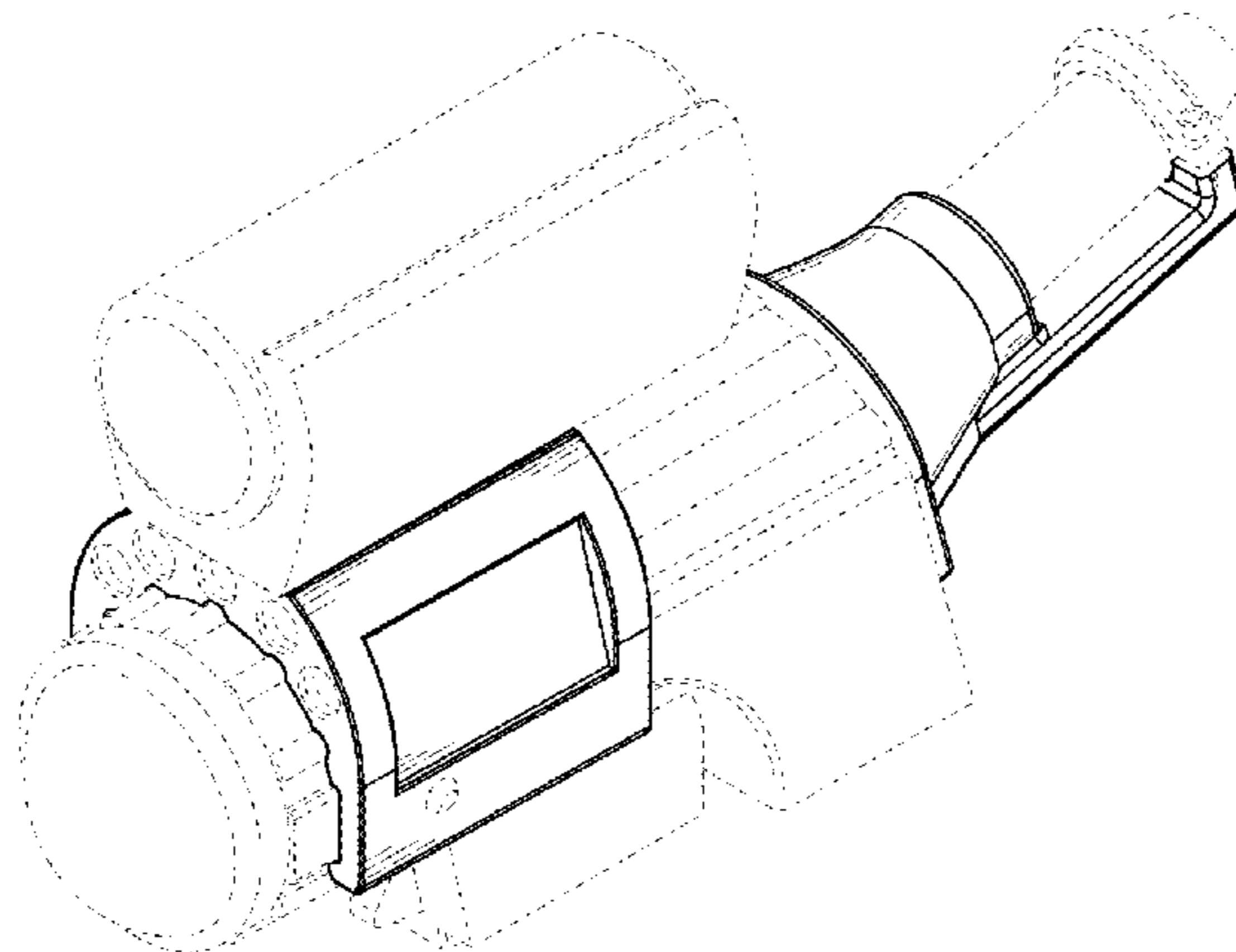
(57) **CLAIM**

The ornamental design for camera mounts for a radar gun assembly, as shown and described.

DESCRIPTION

FIG. 1 is a front perspective view showing an embodiment of a design for camera mounts for a radar gun assembly; FIG. 2 is a front view of FIG. 1; FIG. 3 is one side view of FIG. 1; FIG. 4 is another side view of FIG. 1; and, FIG. 5 is a top plan view of FIG. 1. The broken lines are directed to environment and are for illustrative purposes only; the broken lines form no part of the claimed design.

1 Claim, 3 Drawing Sheets



(56)

References Cited

OTHER PUBLICATIONS

Statcast Wikipedia article, <https://en.wikipedia.org/wiki/Statcast>, accessed Jan. 25, 2018, 5 pages.

U.S. Appl. No. 15/859,302 / Application as filed, dated Dec. 29, 2017, 77 pages.

U.S. Appl. No. 15/859,302 / Notice to File Missing Parts, dated Jan. 16, 2018, 2 pages.

U.S. Appl. No. 15/859,302 / Filing Receipt, dated Jan. 16, 2018, 3 pages.

U.S. Appl. No. 16/236,241 Filing Receipt, dated Jan. 9, 2019, 3 pages.

U.S. Appl. No. 16/236,241 Request for Corrected Filing Receipt, dated Jan. 25, 2019, 156 pages.

U.S. Appl. No. 16/236,241 Filing Receipt, dated Jan. 29, 2019, 3 pages.

U.S. Appl. No. 29/675,238 Request for Corrected Filing Receipt, dated Jan. 24, 2019, 12 pages.

U.S. Appl. No. 29/675,238 Filing Receipt, dated Feb. 13, 2019, 3 pages.

* cited by examiner

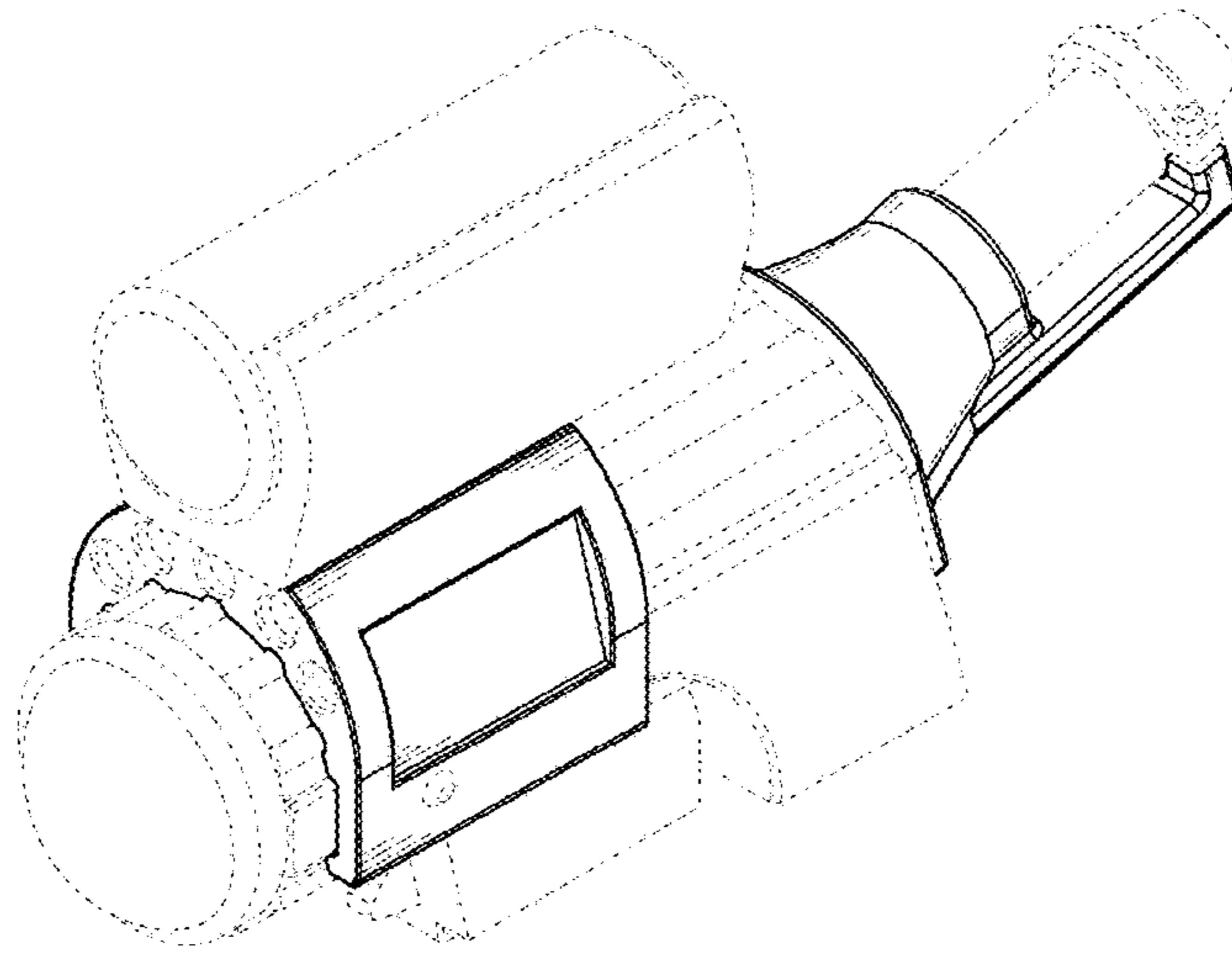


FIG. 1

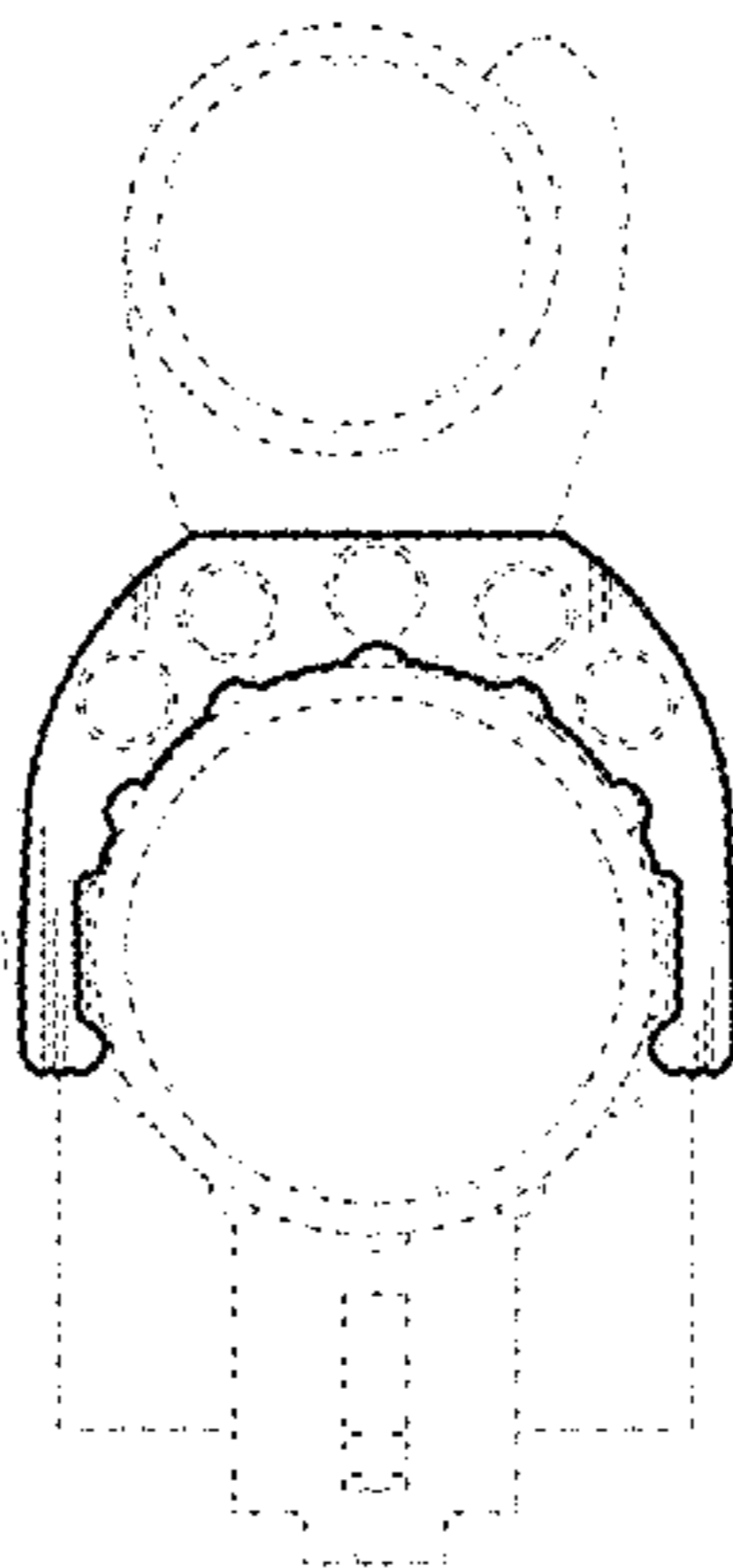


FIG. 2

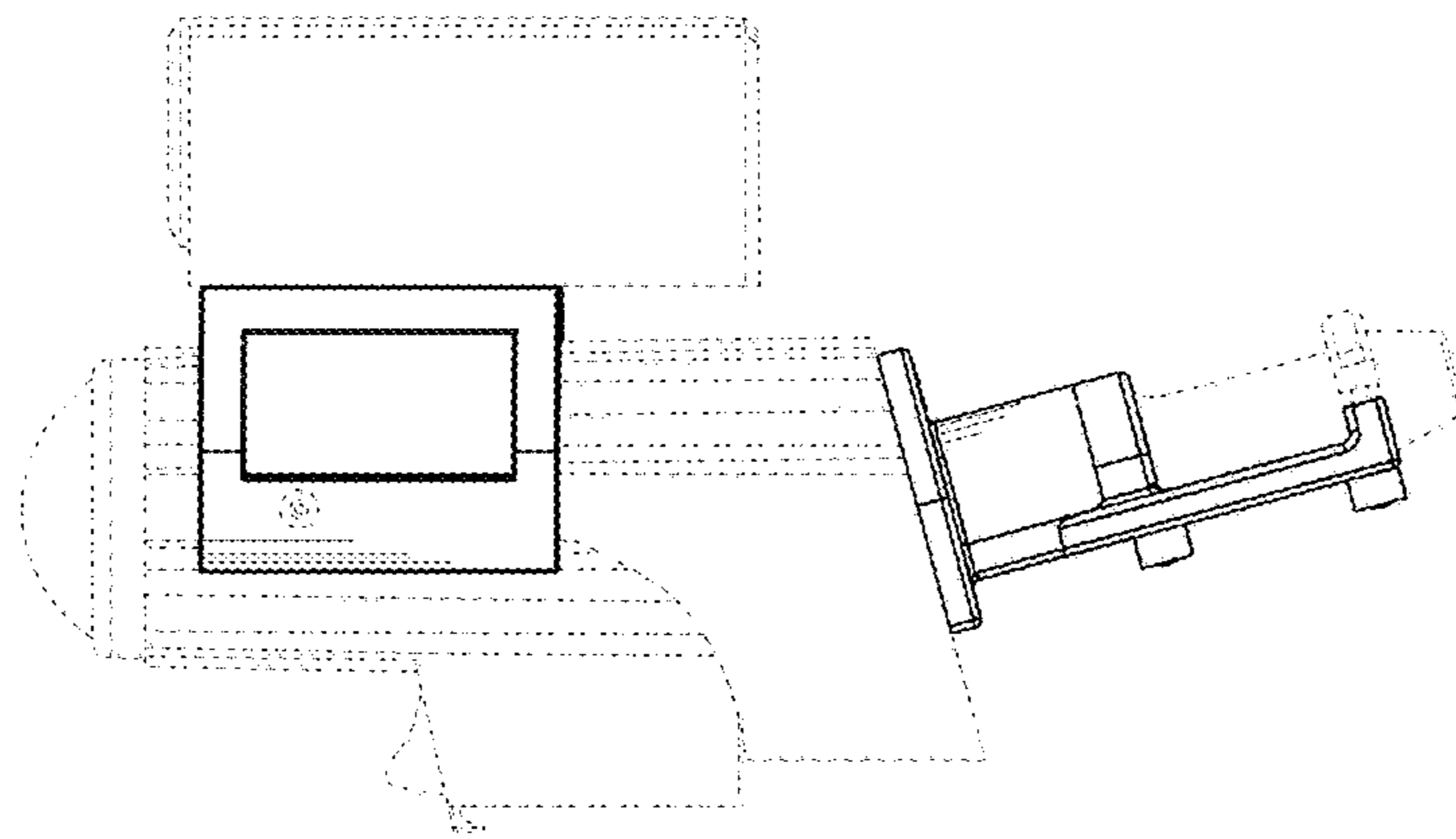


FIG. 3

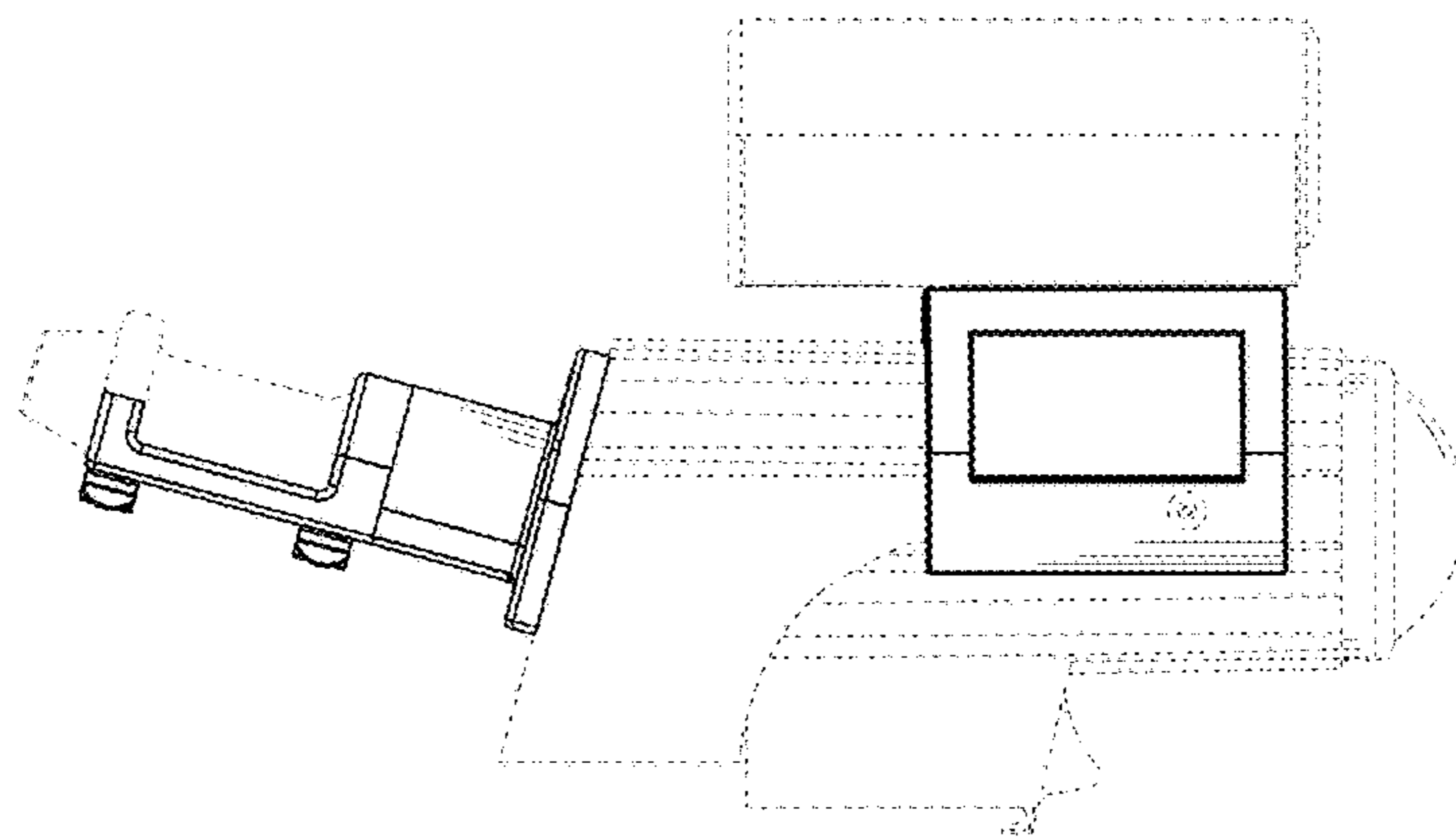


FIG. 4

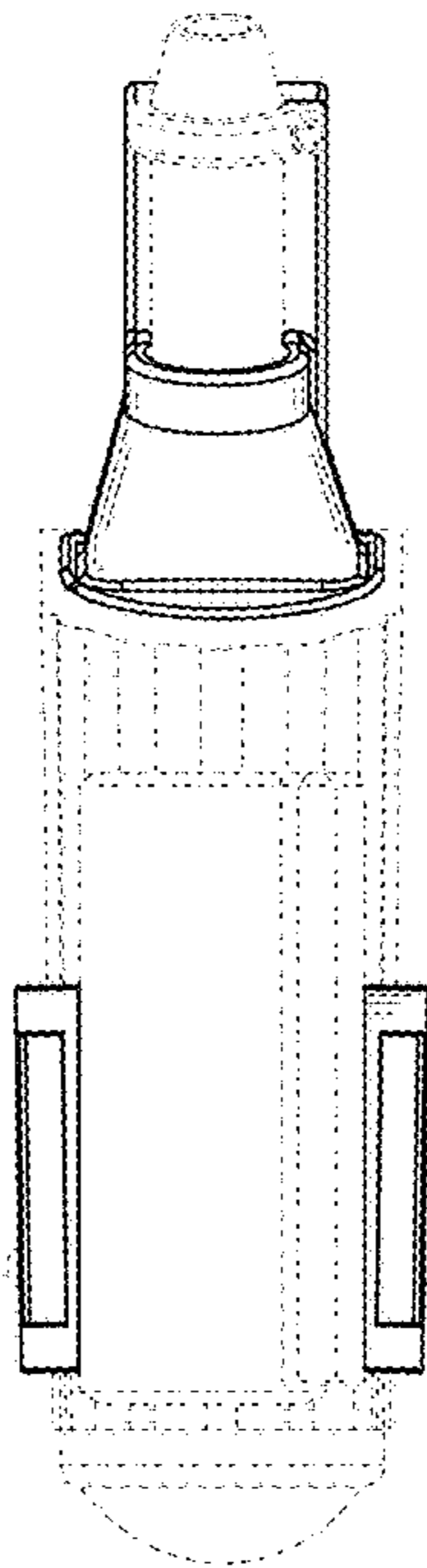


FIG.5