



US00D851526S

(12) **United States Design Patent** (10) **Patent No.:** **US D851,526 S**
Lee et al. (45) **Date of Patent:** **** Jun. 18, 2019**

(54) **WATER DETECTOR**

7,084,776 B2 8/2006 Tacilauskas
9,582,987 B2 * 2/2017 Eskildsen G01F 23/64
D802,462 S * 11/2017 Morneau D10/101
2012/0312077 A1 12/2012 Al-Harbi

(71) Applicant: **Nortek Security & Control LLC**,
Carlsbad, CA (US)

(72) Inventors: **Ming Chuan Lee**, ShenZhen (CN);
Xuefeng Ma, ShenZhen (CN); **Jian Hua Liu**, ShenZhen (CN); **Jian Hong Yin**, Shenzhen (CN)

FOREIGN PATENT DOCUMENTS

CN 104240448 A 12/2014
CN 205579734 U 9/2016
CN 206096127 U 4/2017
JP 2001116648 A 4/2001
WO WO-0192861 A2 12/2001
WO WO-2017115145 A1 7/2017

(73) Assignee: **Nortek Security & Control LLC**,
Carlsbad, CA (US)

(**) Term: **15 Years**

OTHER PUBLICATIONS

(21) Appl. No.: **29/626,596**

“International Application Serial No. PCT/CN2017/103937, International Search Report dated Jun. 22, 2018”, 5 pgs.

(22) Filed: **Nov. 17, 2017**

“International Application Serial No. PCT/CN2017/103937, Written Opinion dated Jun. 22, 2018”, 4 pgs.

(51) **LOC (11) Cl.** **10-04**

(52) **U.S. Cl.**
USPC **D10/101; D10/56**

* cited by examiner

(58) **Field of Classification Search**
USPC D10/56, 101
CPC G01N 19/10; G01N 27/048; G01N 33/246;
G01N 33/24; G01N 27/223; G01N 27/225; G01R 27/14; G01R 27/16; G01R 27/18; G01R 27/20; G01R 27/205; G08B 21/00; G08B 21/20
See application file for complete search history.

Primary Examiner — Antoine Duval Davis

(74) *Attorney, Agent, or Firm* — Schwegman Lundberg & Woessner, P.A.

(57) **CLAIM**

The ornamental design for a water detector, as shown and described.

(56) **References Cited**

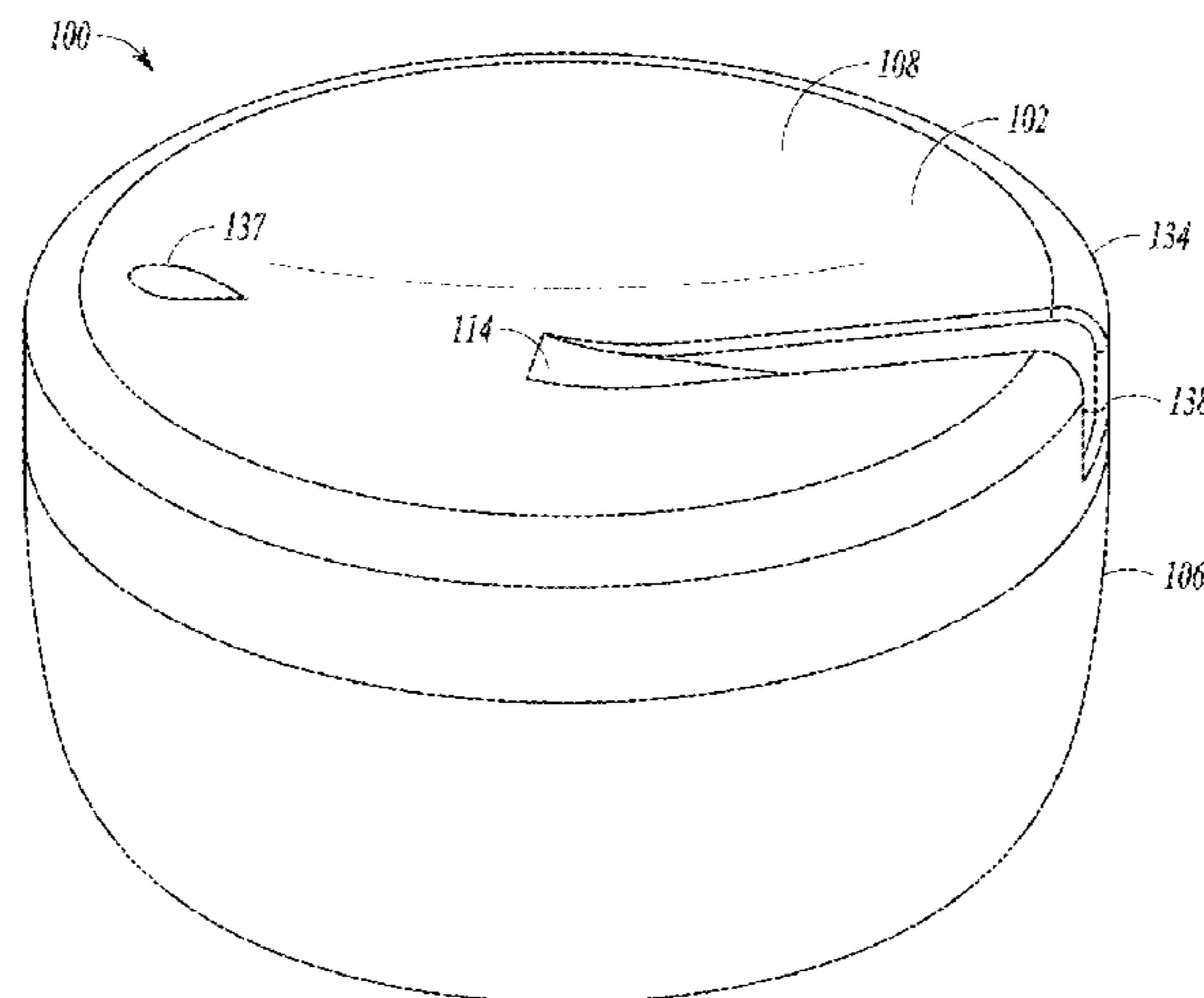
U.S. PATENT DOCUMENTS

4,135,151 A * 1/1979 Rogers G01R 27/02
324/664
4,227,190 A * 10/1980 Kelley G01F 23/241
340/604
4,356,479 A * 10/1982 Wilson G08B 21/20
128/886
5,058,421 A * 10/1991 Alexander G01F 23/241
340/620
D360,153 S * 7/1995 Chacchia D10/101

DESCRIPTION

FIG. 1 is a perspective view of a water detector.
FIG. 2 is a top view of a water detector.
FIG. 3 is a front view of a water detector,
FIG. 4 is a side view of a water detector.
FIG. 5 is a bottom view of a water detector; and,
FIG. 6 is a bottom perspective view of a water detector.

1 Claim, 3 Drawing Sheets



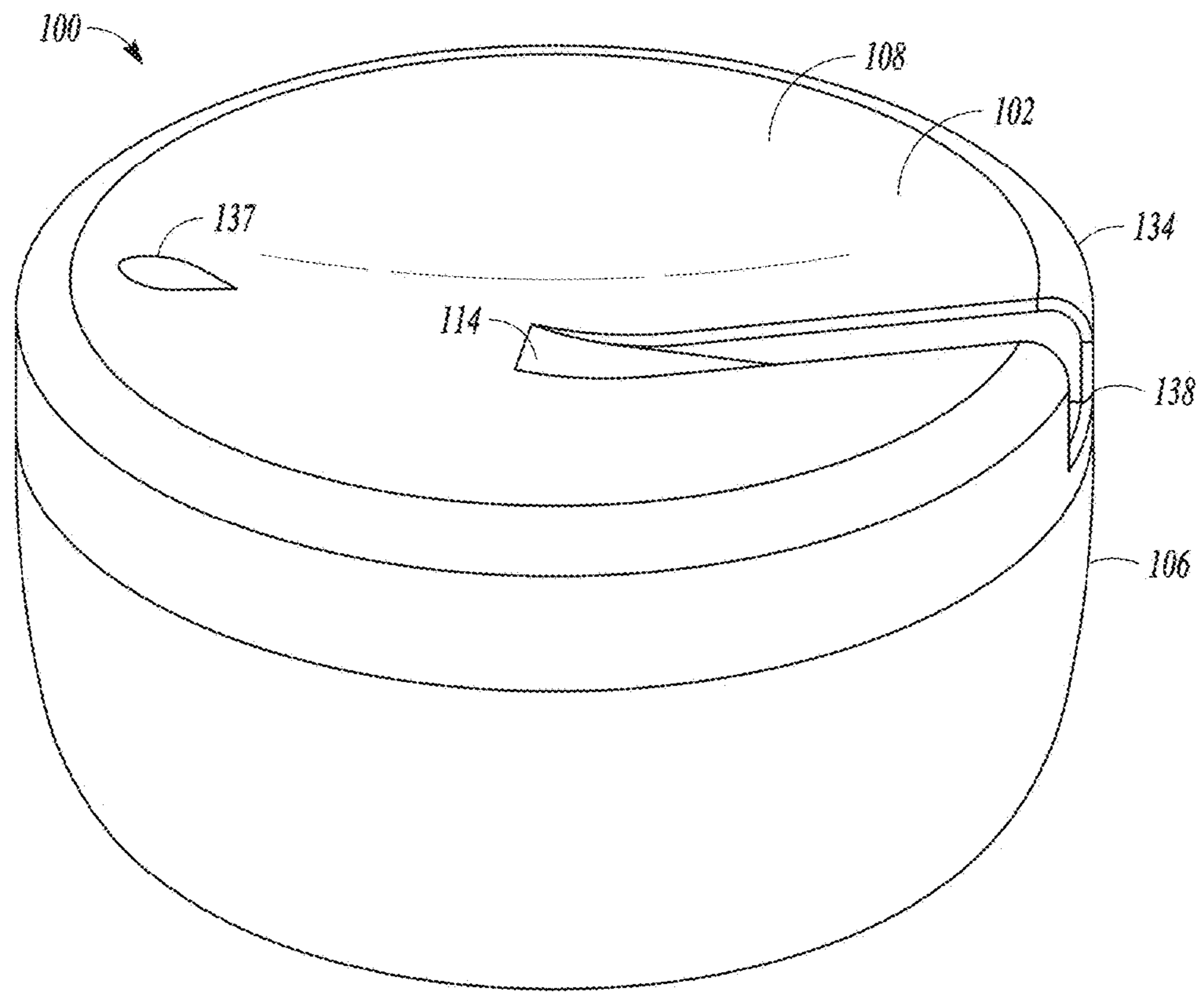


FIG. 1

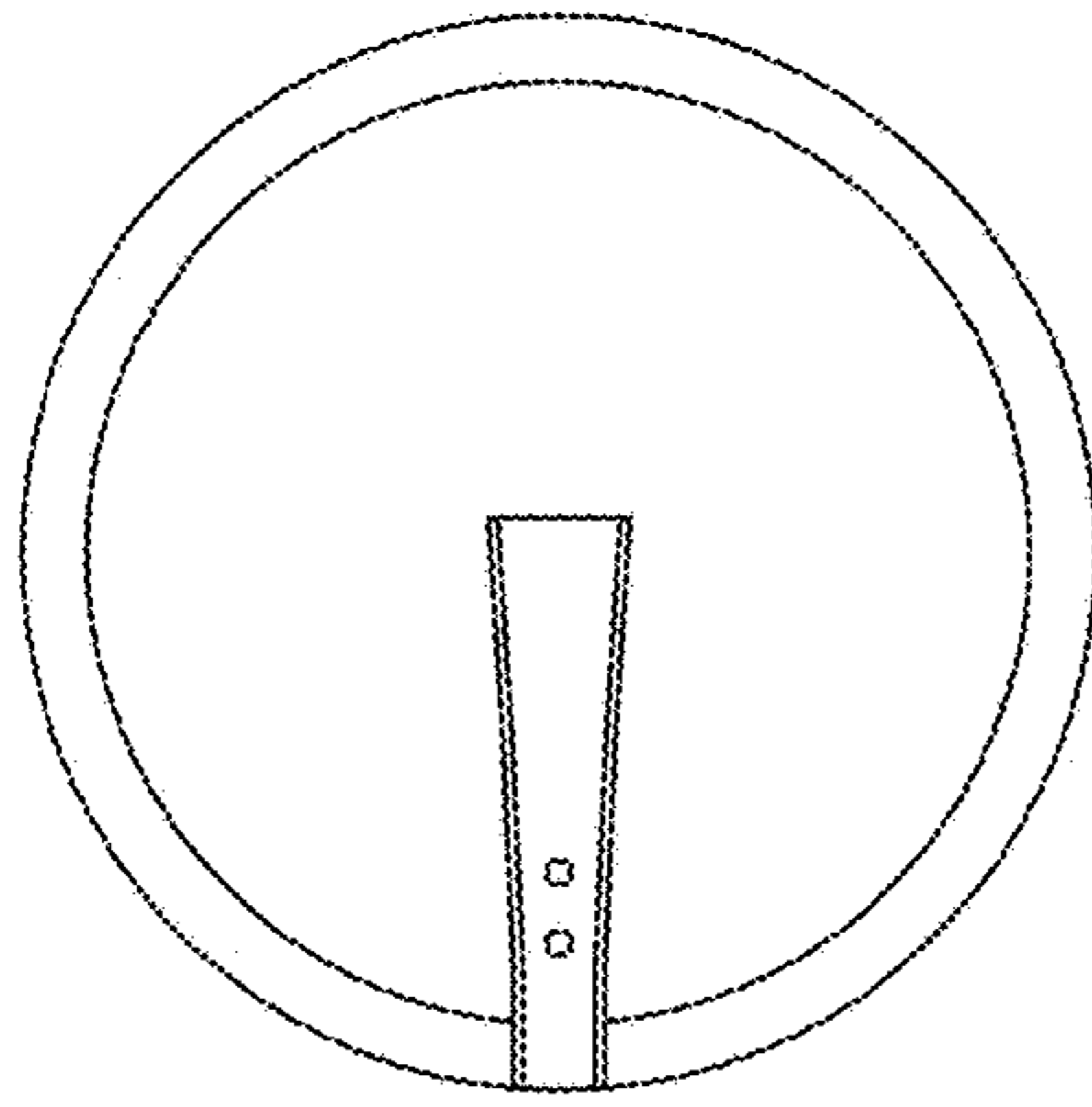


FIG. 2

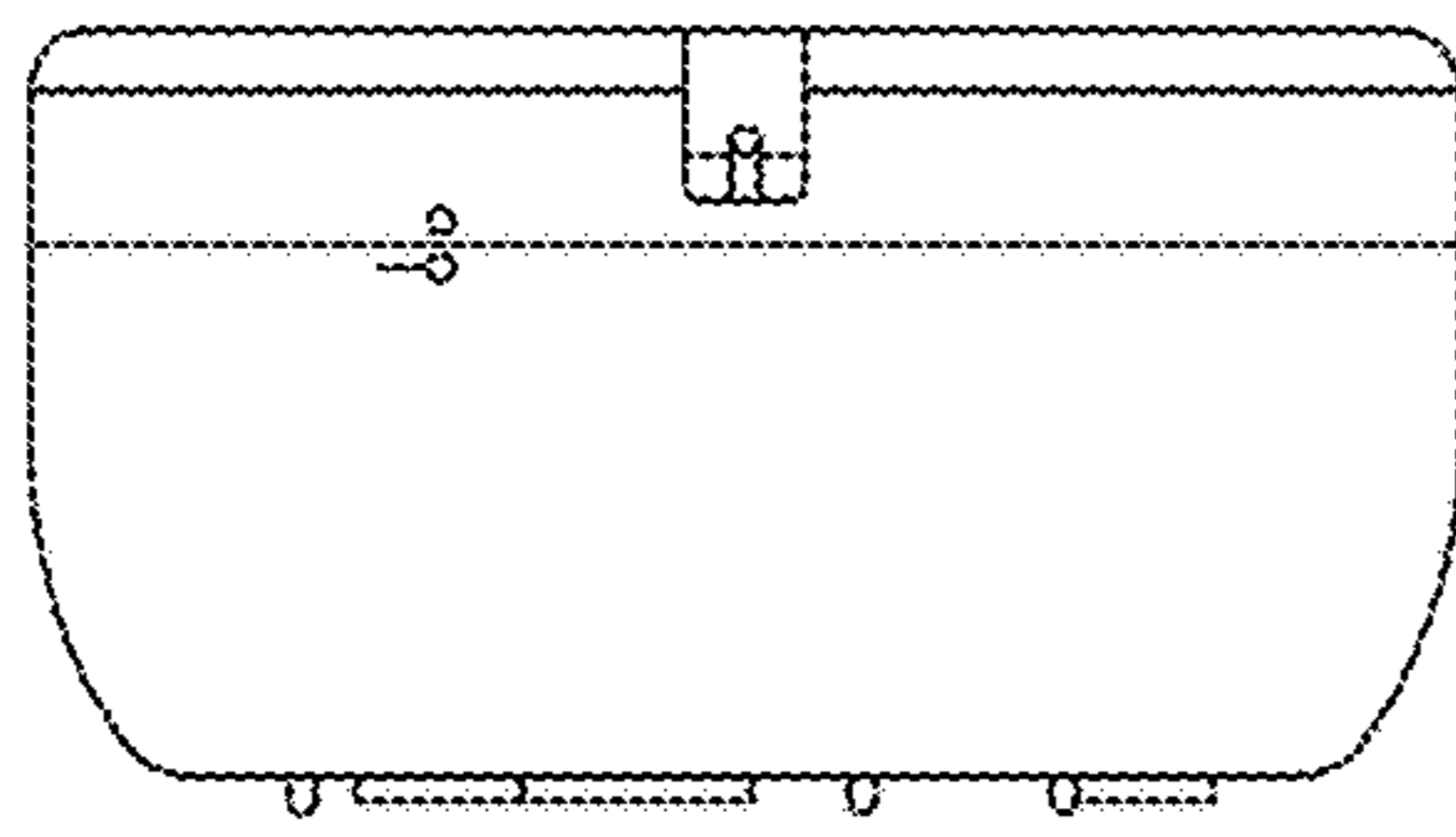


FIG. 3

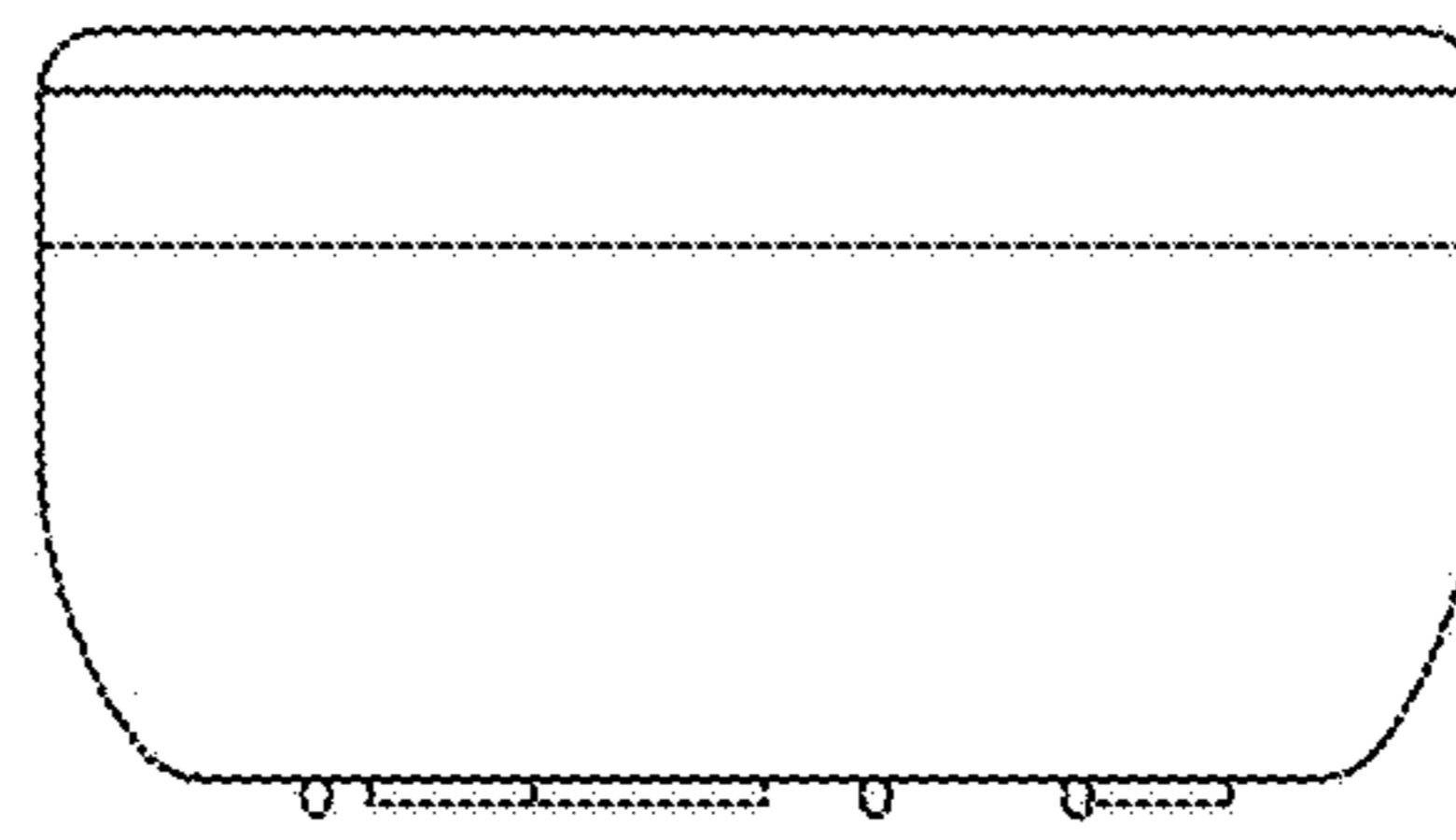


FIG. 4

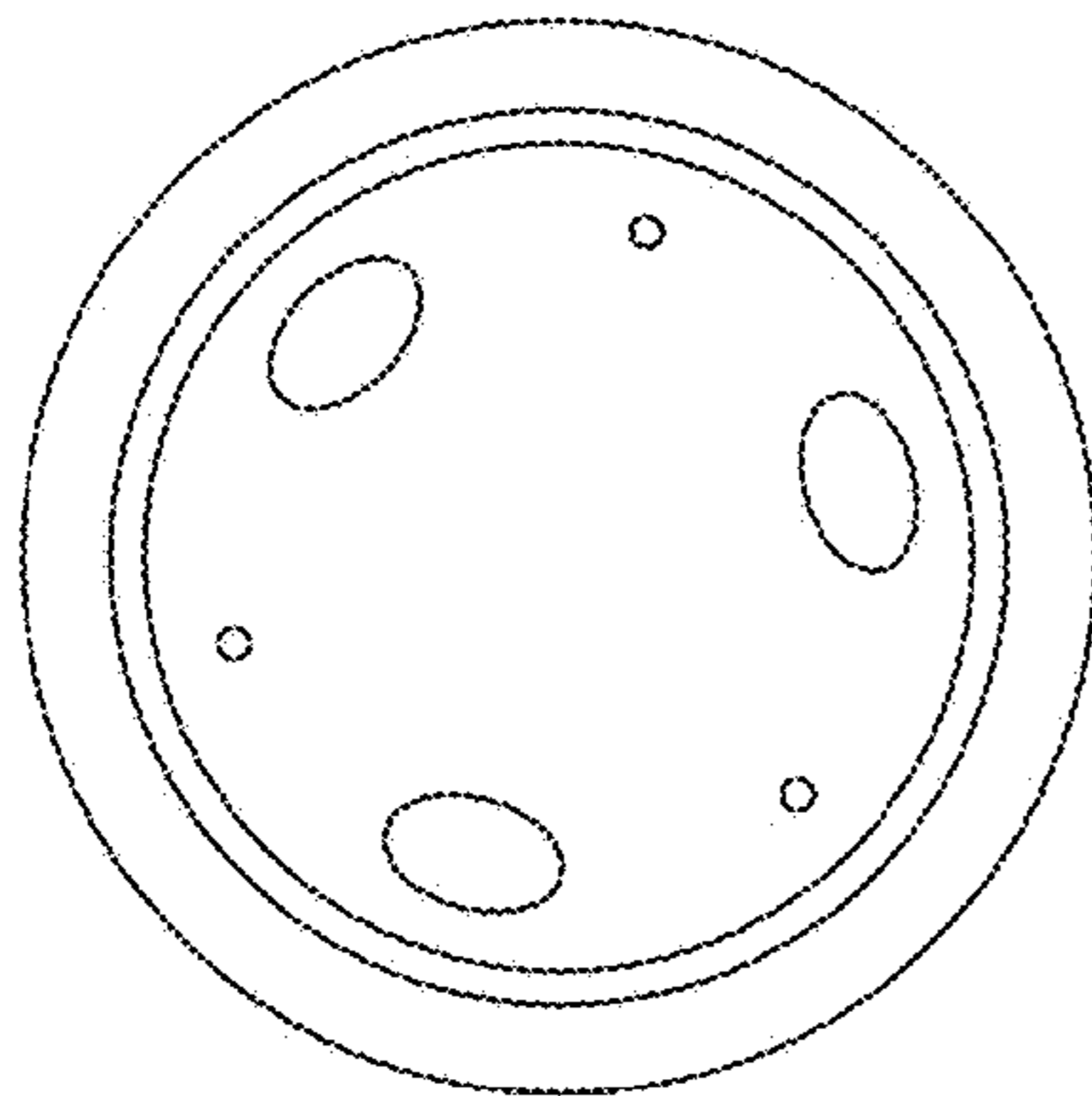


FIG. 5

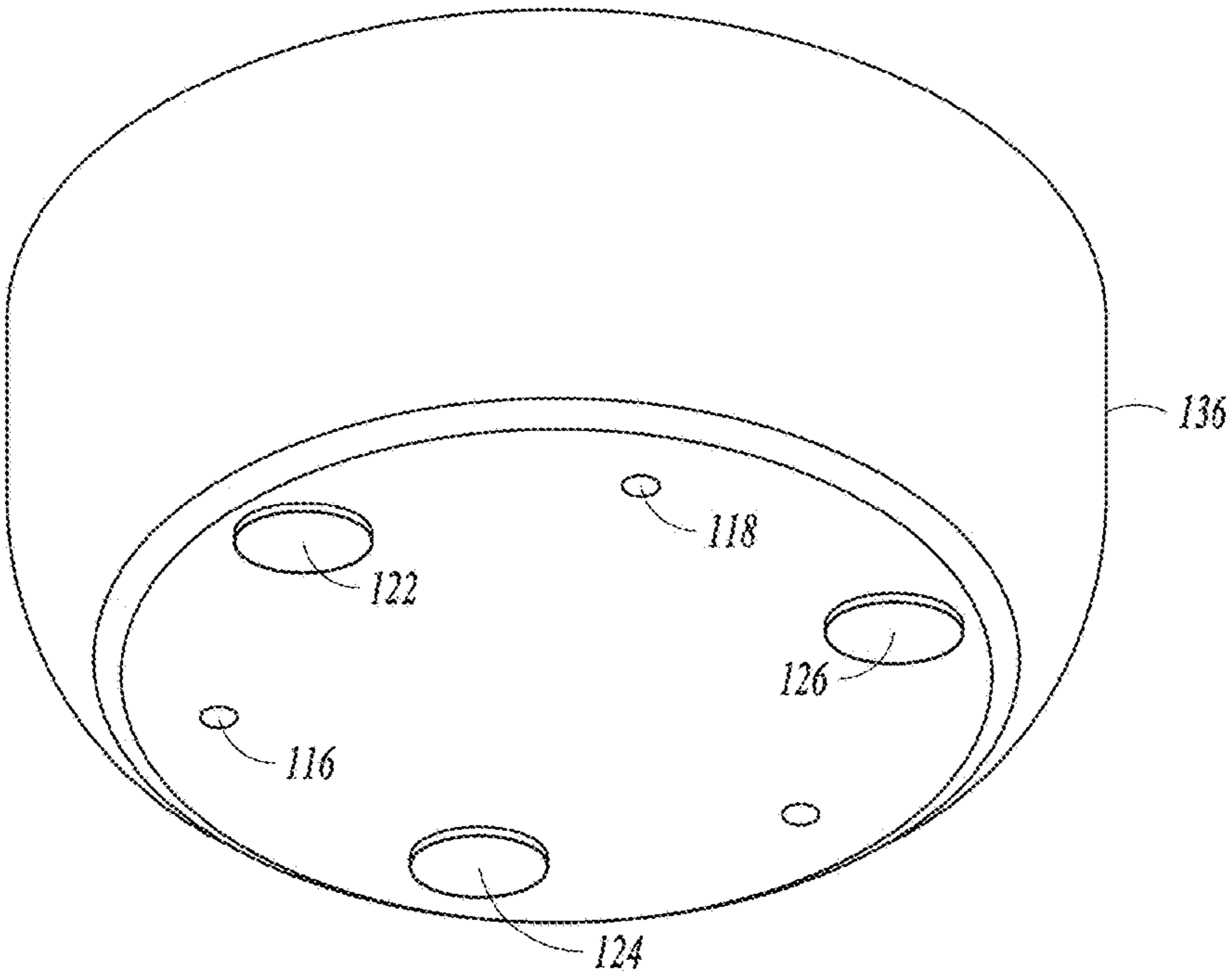


FIG. 6

UNITED STATES PATENT AND TRADEMARK OFFICE
CERTIFICATE OF CORRECTION

PATENT NO. : D851,526 S
APPLICATION NO. : 29/626596
DATED : June 18, 2019
INVENTOR(S) : Lee et al.

Page 1 of 1

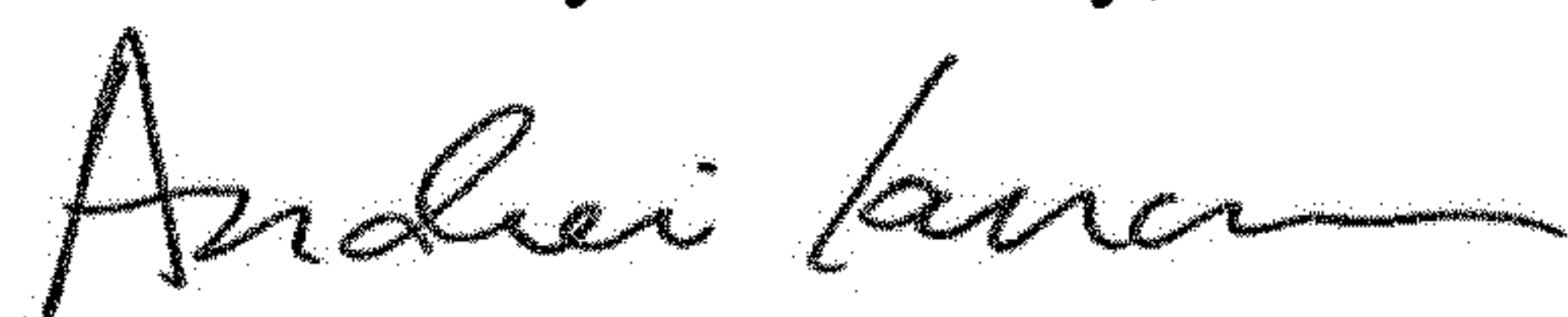
It is certified that error appears in the above-identified patent and that said Letters Patent is hereby corrected as shown below:

On the Title Page

In item (22), in "Filed", in Column 1, Line 1, delete "(22) Filed: Nov. 17, 2017" and insert
--(22) PCT Filed: Sep. 28, 2017
(86) PCT No.: PCT/CN2017/103937
§ 371 (c)(1),
(2) Date: Nov. 17, 2017
(30) Foreign Application Priority Data
May 18, 2017 (CN) 201730186182-- therefor

In description, in Column 2, Line 3, delete "detector," and insert --detector.-- therefor

Signed and Sealed this
Fifth Day of January, 2021



Andrei Iancu
Director of the United States Patent and Trademark Office