



US00D851524S

(12) **United States Design Patent**  
**Dick**

(10) **Patent No.:** **US D851,524 S**  
(45) **Date of Patent:** **\*\* Jun. 18, 2019**

- (54) **ULTRASONIC FLOW METER**
- (71) Applicant: **Norgas Metering Technologies, Inc.**,  
Fairfield, OH (US)
- (72) Inventor: **Michael D. Dick**, Springboro, OH (US)
- (73) Assignee: **Norgas Metering Technologies, Inc.**,  
Fairfield, OH (US)

(\*\*) Term: **15 Years**

(21) Appl. No.: **29/634,167**

(22) Filed: **Jan. 18, 2018**

(51) **LOC (11) Cl.** ..... **10-04**

(52) **U.S. Cl.**  
USPC ..... **D10/96**

(58) **Field of Classification Search**  
USPC ..... D10/96  
CPC . G01F 1/66; G01F 1/662; G01F 1/663; G01F  
1/665; G01F 1/666; G01F 1/667; G01F  
1/668; G01F 5/00; G01F 5/005; G01F  
15/00; G01F 15/06; G01F 15/024; G01F  
15/14; G01N 29/024; G01N 29/28; G01N  
29/22; G01N 29/222; G01N 2291/2836;  
G01N 2291/044

See application file for complete search history.

(56) **References Cited**

**U.S. PATENT DOCUMENTS**

5,814,737 A	9/1998	Brown
6,062,091 A	5/2000	Baumoel
6,089,104 A	7/2000	Chang
6,158,288 A	12/2000	Smith
6,216,544 B1	4/2001	Adachi et al.
6,345,538 B1	2/2002	Krahbichler et al.
6,532,827 B1	3/2003	Ohnishi
6,604,433 B1	8/2003	Azuma et al.
6,615,674 B2	9/2003	Ohnishi
6,715,366 B2	4/2004	Ohnishi
6,739,203 B1	5/2004	Feldman et al.

6,745,632 B1	6/2004	Dryer et al.
6,748,811 B1	6/2004	Iwanaga et al.
6,772,643 B2	8/2004	Eguchi et al.
6,776,051 B2	8/2004	Suzuki et al.
6,883,386 B2	4/2005	Osone et al.
6,907,361 B2	6/2005	Molenaar et al.
6,925,891 B2	8/2005	Suginouchi et al.
6,931,944 B2	8/2005	Wiest et al.

(Continued)

*Primary Examiner* — Antoine Duval Davis

(74) *Attorney, Agent, or Firm* — Wood Herron & Evans  
LLP

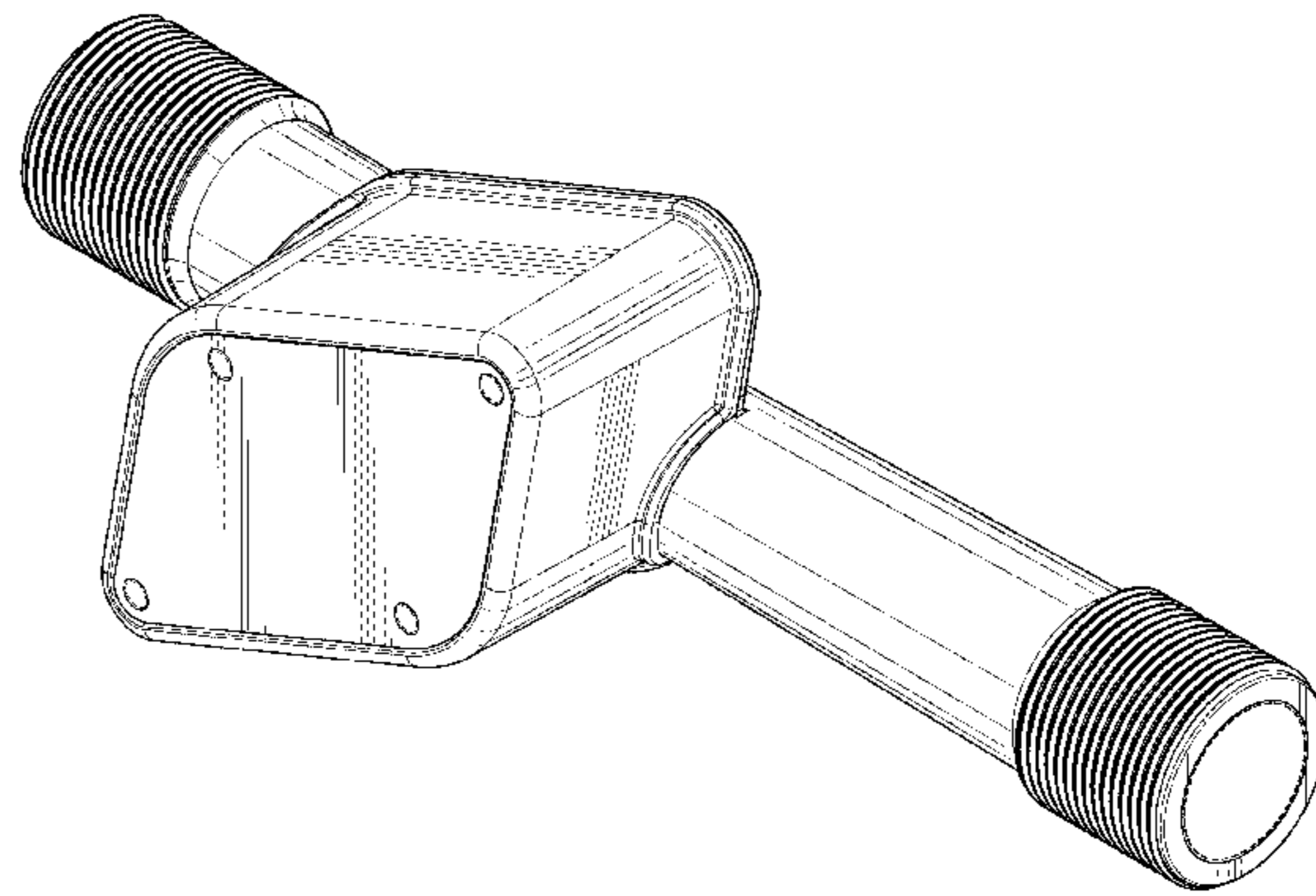
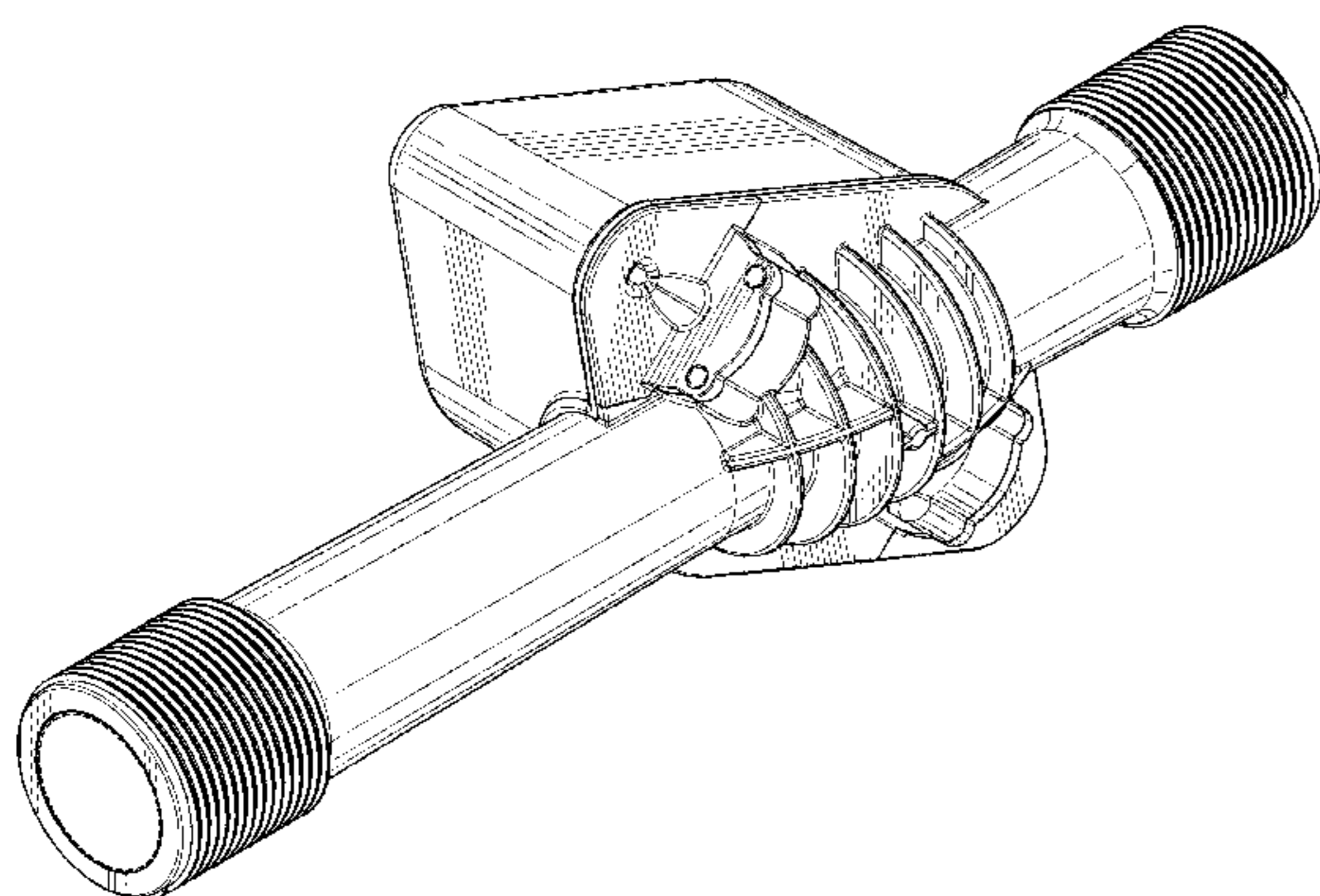
(57) **CLAIM**

The ornamental design for a ultrasonic flow meter, as shown  
and described.

**DESCRIPTION**

FIG. 1 is a left front perspective view of an ultrasonic flow meter according to the present invention.  
 FIG. 2 is a left rear perspective view thereof.  
 FIG. 3 is a right rear perspective view thereof.  
 FIG. 4 is a front view thereof.  
 FIG. 5 is a rear view thereof.  
 FIG. 6 is a left side view thereof.  
 FIG. 7 is a right side view thereof.  
 FIG. 8 is a top view thereof.  
 FIG. 9 is a bottom view thereof.  
 FIG. 10 is a left front perspective view of an alternative embodiment of an ultrasonic flow meter according to the present invention.  
 FIG. 11 is a left rear perspective view thereof.  
 FIG. 12 is a right rear perspective view thereof.  
 FIG. 13 is a front view thereof.  
 FIG. 14 is a rear view thereof.  
 FIG. 15 is a left side view thereof.  
 FIG. 16 is a right side view thereof;  
 FIG. 17 is a top view thereof; and,  
 FIG. 18 is a bottom view thereof.

**1 Claim, 16 Drawing Sheets**



(56)

References Cited

U.S. PATENT DOCUMENTS

6,931,945 B2	8/2005	Takeda et al.	7,658,114 B1	2/2010	Sui et al.
7,032,461 B2	4/2006	Ueki et al.	7,673,526 B2	3/2010	Bailey et al.
7,073,395 B2	7/2006	Suginouchi et al.	7,706,986 B2	4/2010	Frohlich et al.
7,082,841 B2	8/2006	Umekage et al.	7,775,125 B2	8/2010	Rhodes
7,096,135 B2	8/2006	Ao et al.	7,806,003 B2	10/2010	Ohmuro et al.
7,152,490 B1	12/2006	Freund, Jr. et al.	7,832,282 B2	11/2010	Ao
7,318,355 B2	1/2008	Ishikawa	7,963,176 B2	6/2011	Pors et al.
7,360,449 B2	4/2008	Umekage et al.	7,980,142 B2	7/2011	Nakabayashi et al.
7,380,469 B2	6/2008	Molenaar et al.	8,047,081 B2	11/2011	Berberig et al.
7,380,470 B2	6/2008	Konzelmann et al.	8,104,359 B2	1/2012	Wiest et al.
7,412,902 B2	8/2008	Wiest et al.	8,161,824 B2	4/2012	Satou et al.
7,523,676 B2	4/2009	Li et al.	8,186,229 B2	5/2012	Allen
7,571,656 B2	8/2009	Derevyagin et al.	8,402,840 B2	3/2013	Gysling et al.
7,581,453 B2	9/2009	Ao et al.	8,548,755 B2	10/2013	Takemura et al.
7,607,359 B2	10/2009	Hecht et al.	8,613,226 B2	12/2013	Sugiura et al.
7,614,309 B2	11/2009	Rieder et al.	D718,165 S *	11/2014	Dick ..... D10/99
7,624,651 B2	12/2009	Fernald et al.	8,919,207 B2	12/2014	Sui et al.
7,637,171 B2	12/2009	Zhang et al.	9,032,816 B2	5/2015	Satou et al.
			9,714,858 B2 *	7/2017	Laursen ..... G01D 4/02
			D832,123 S *	10/2018	Nakai ..... D10/96

\* cited by examiner

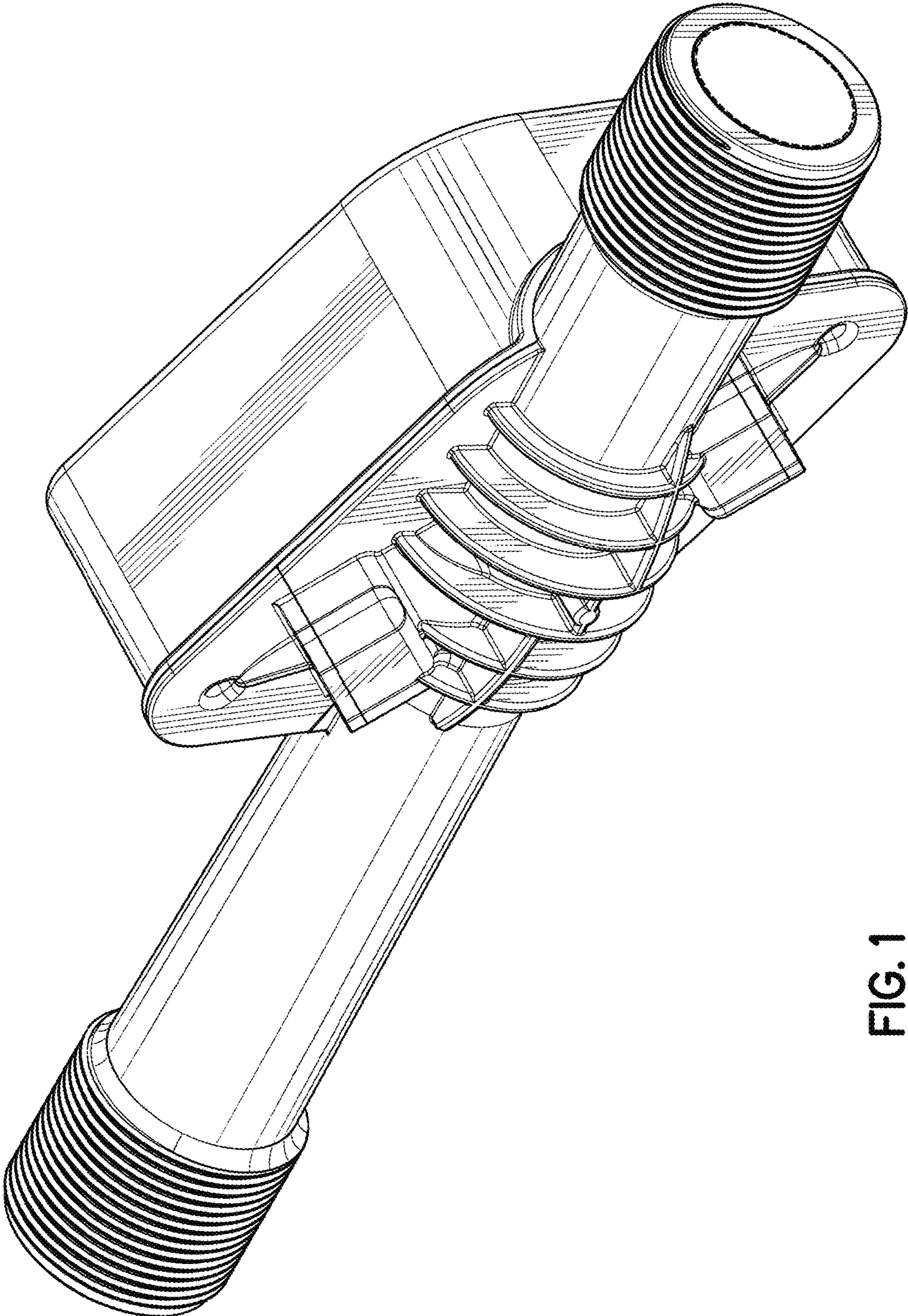


FIG. 1

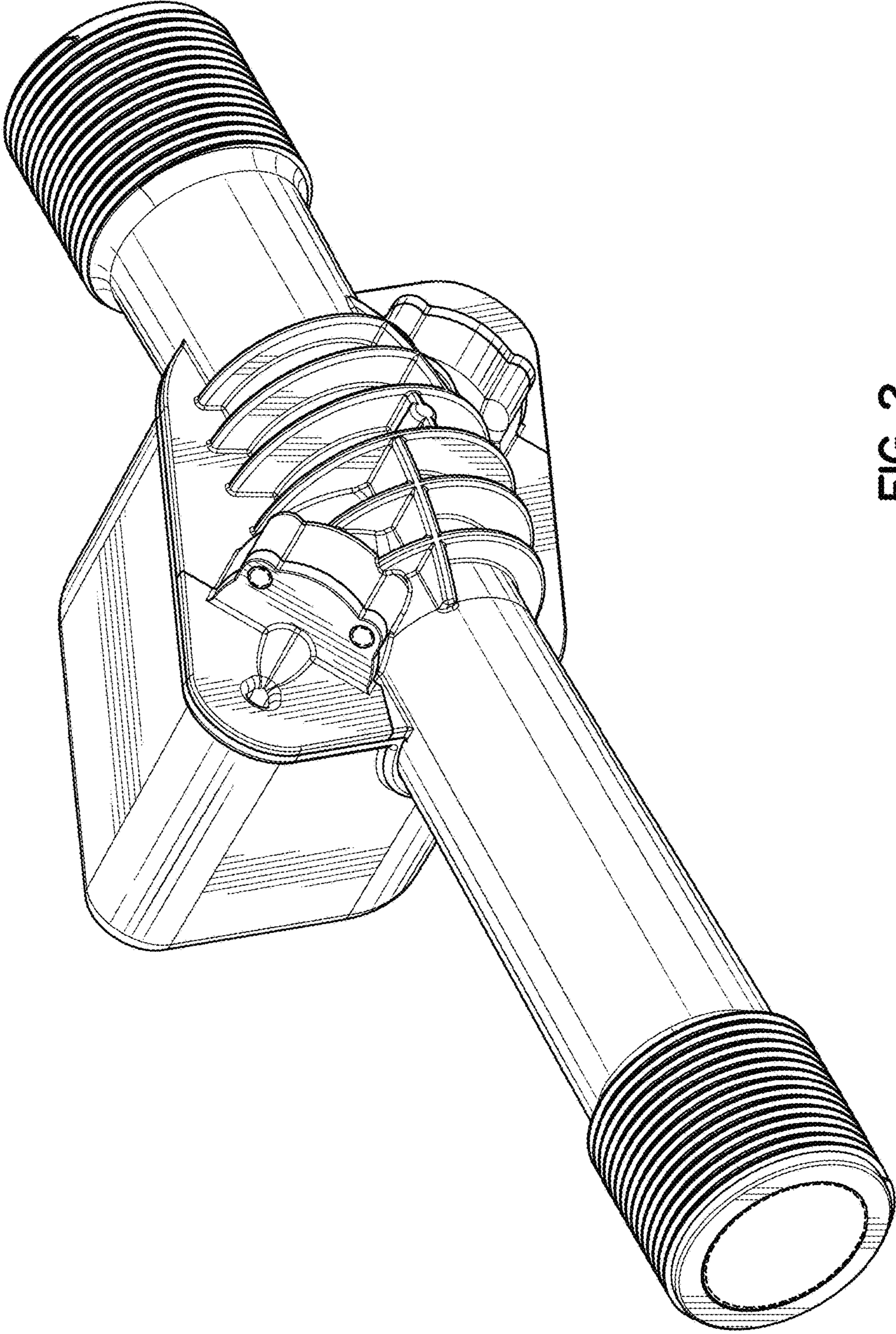


FIG. 2

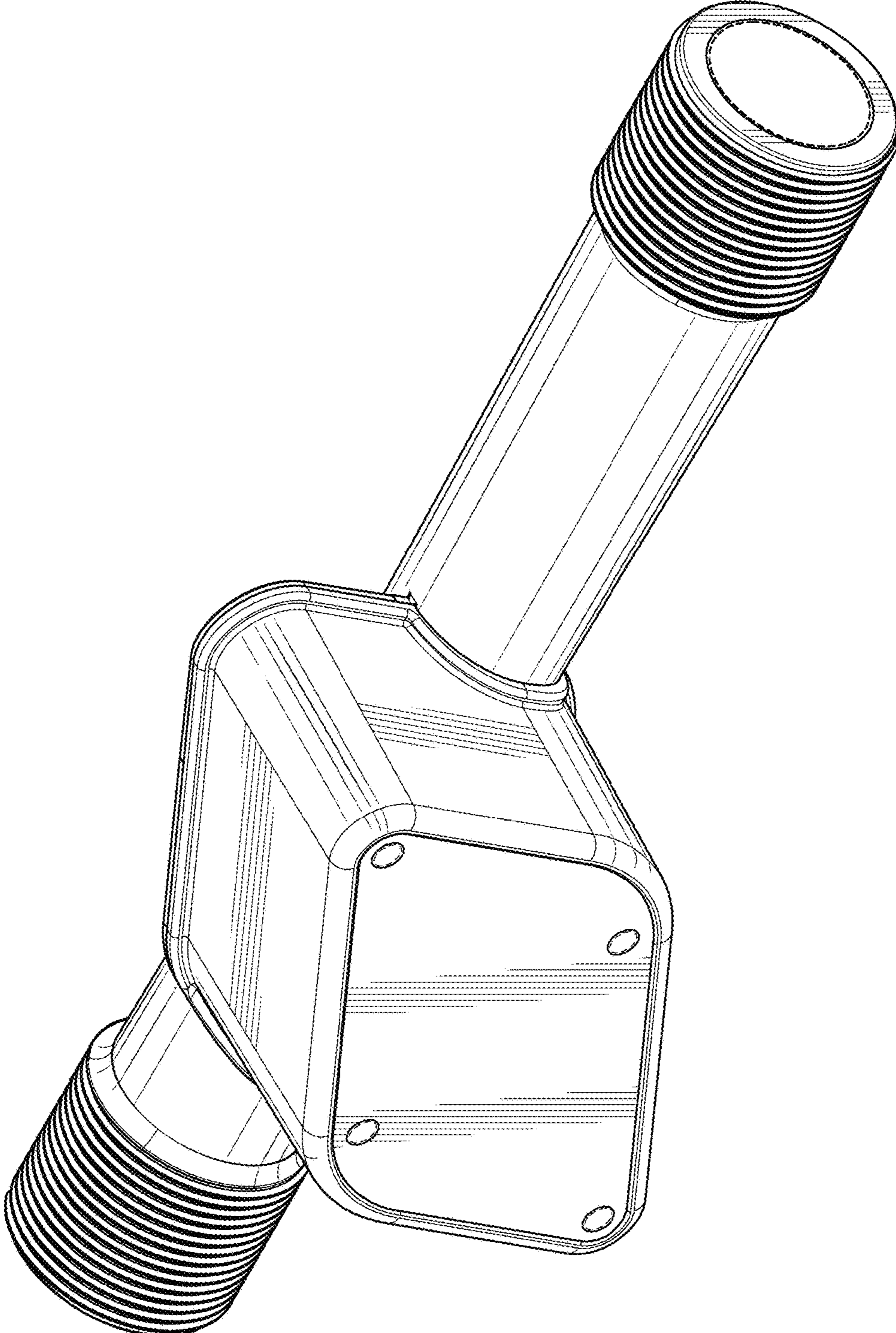


FIG. 3

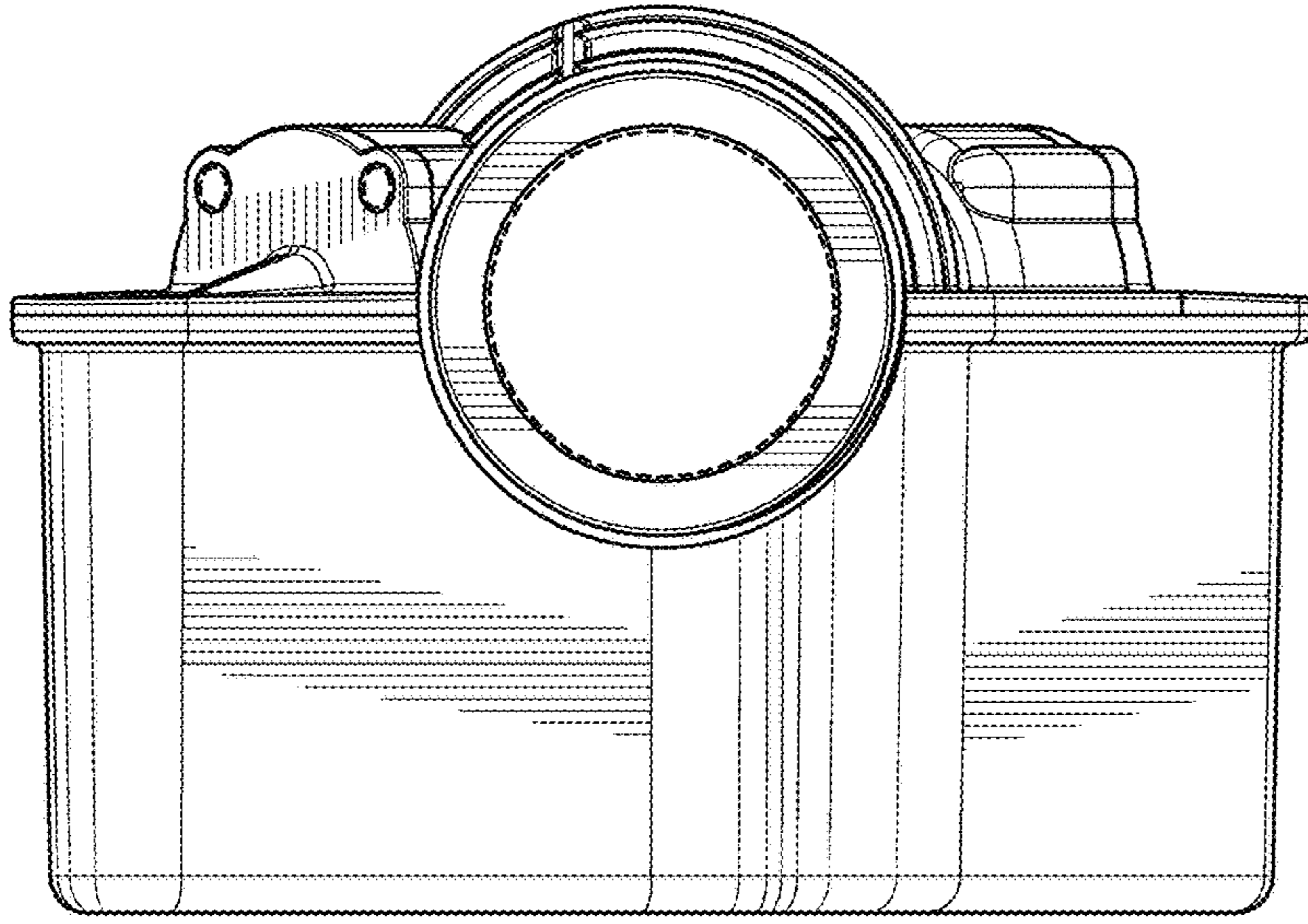


FIG. 5

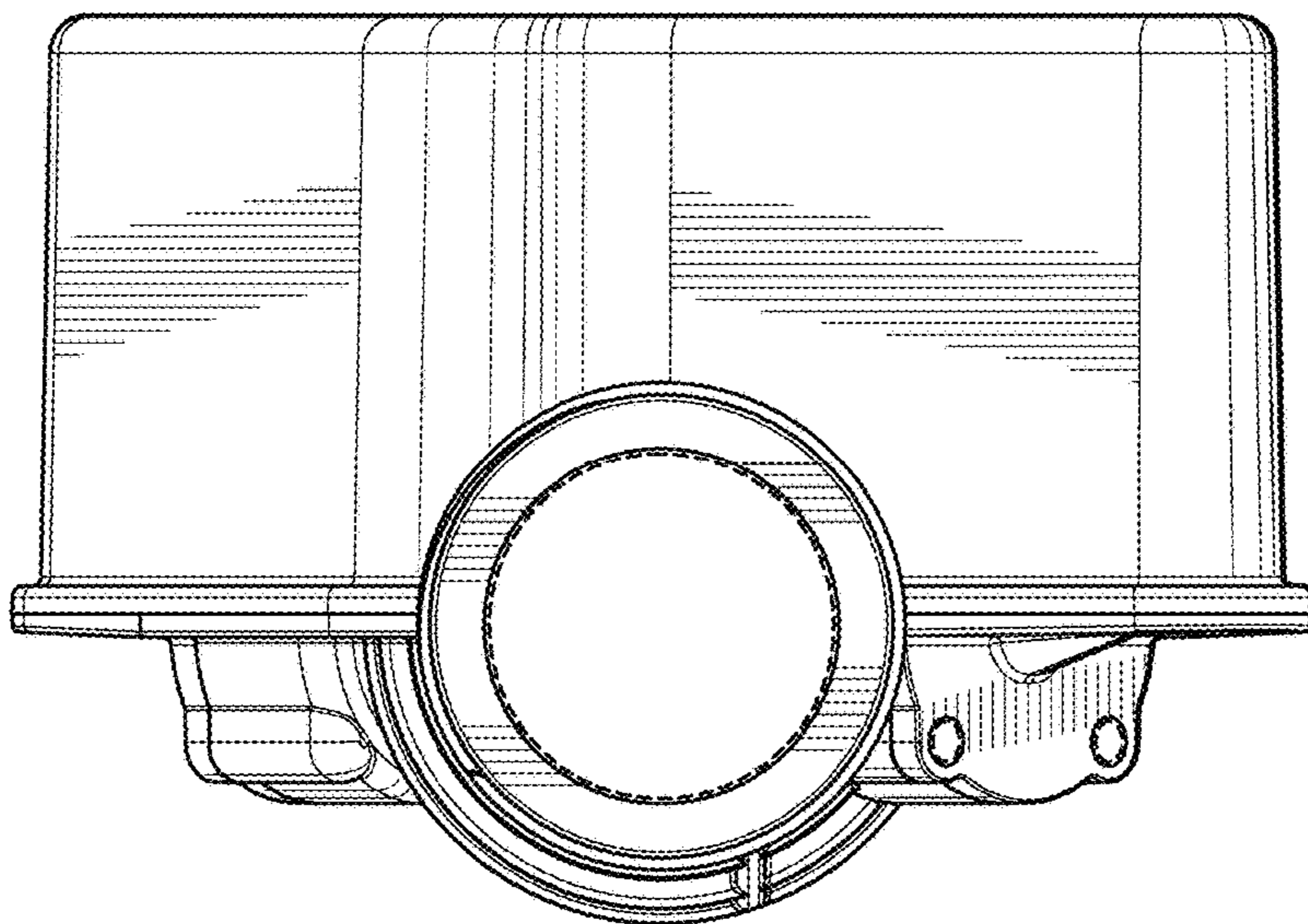


FIG. 4

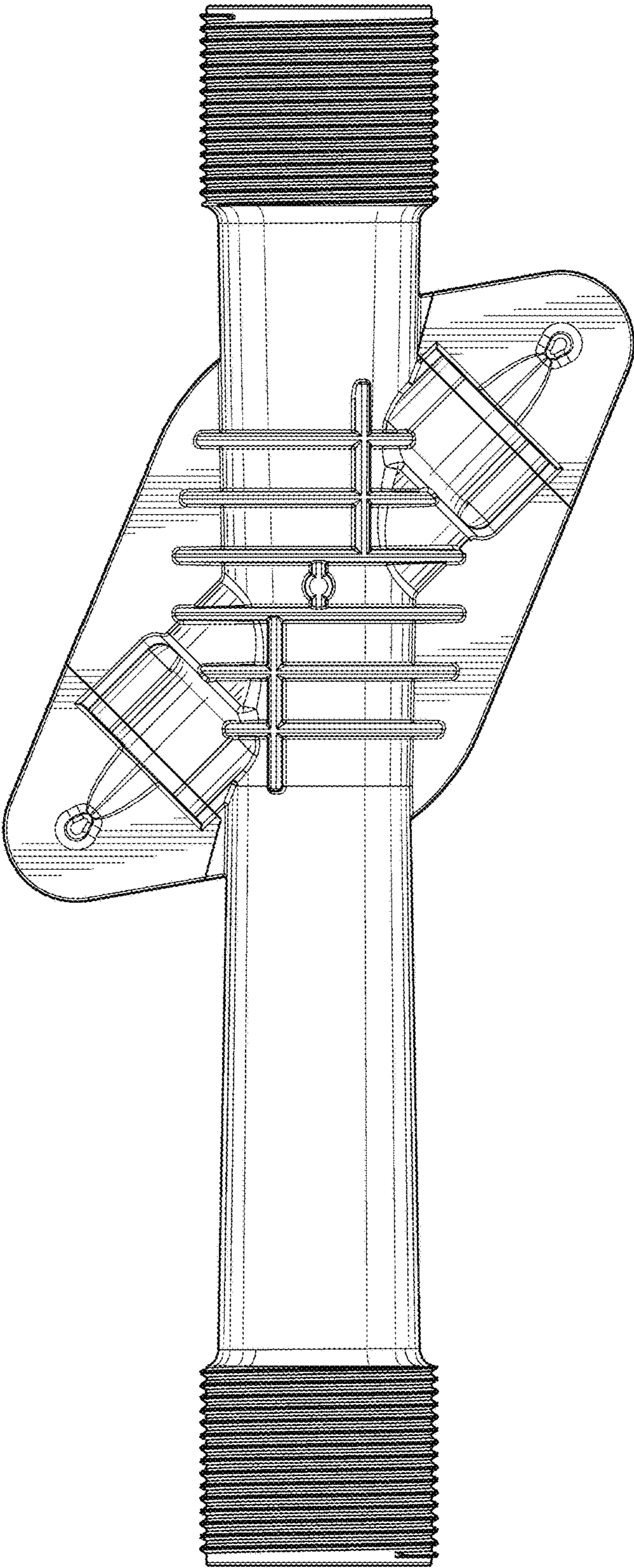


FIG. 6

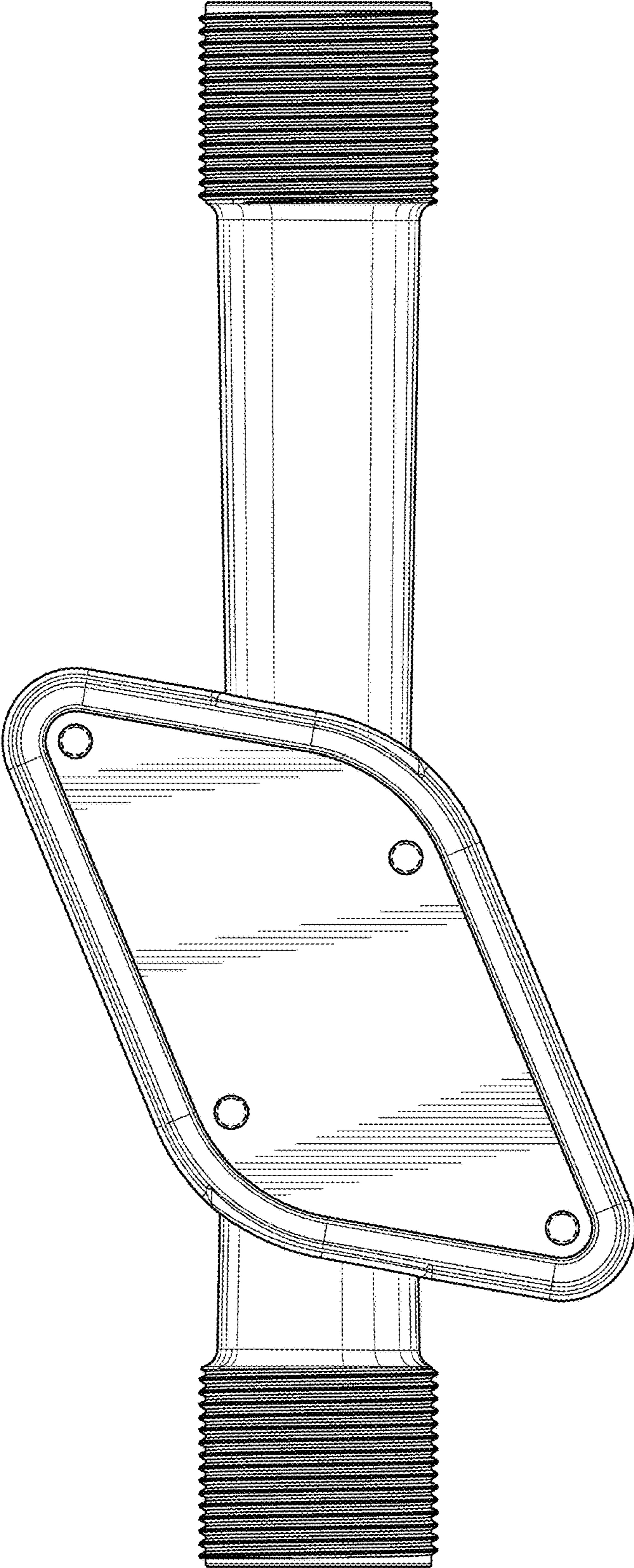


FIG. 7



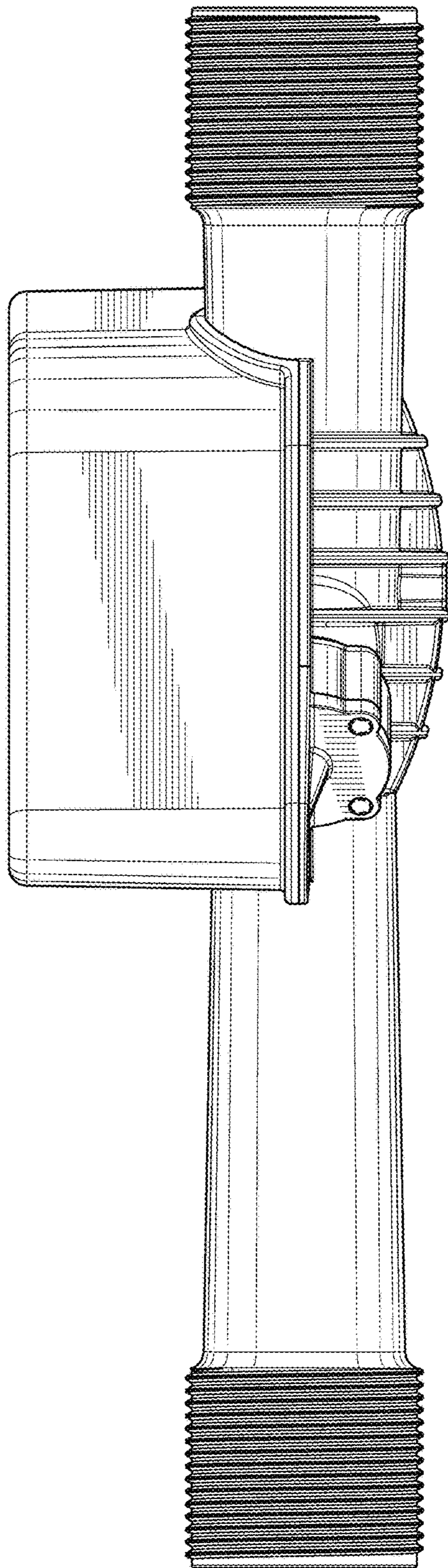


FIG. 8

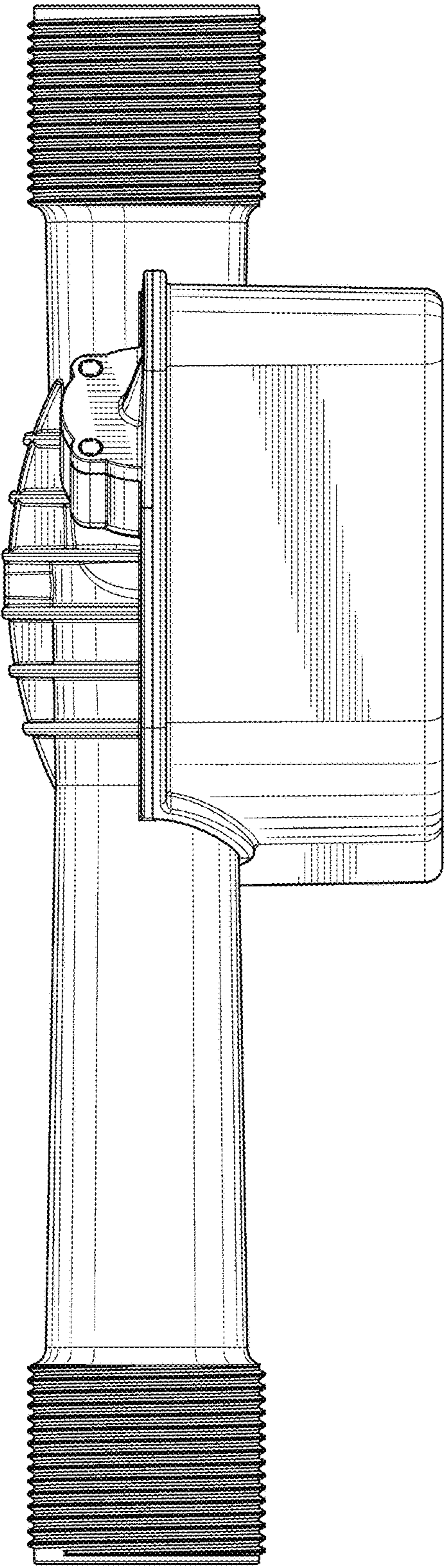


FIG. 9

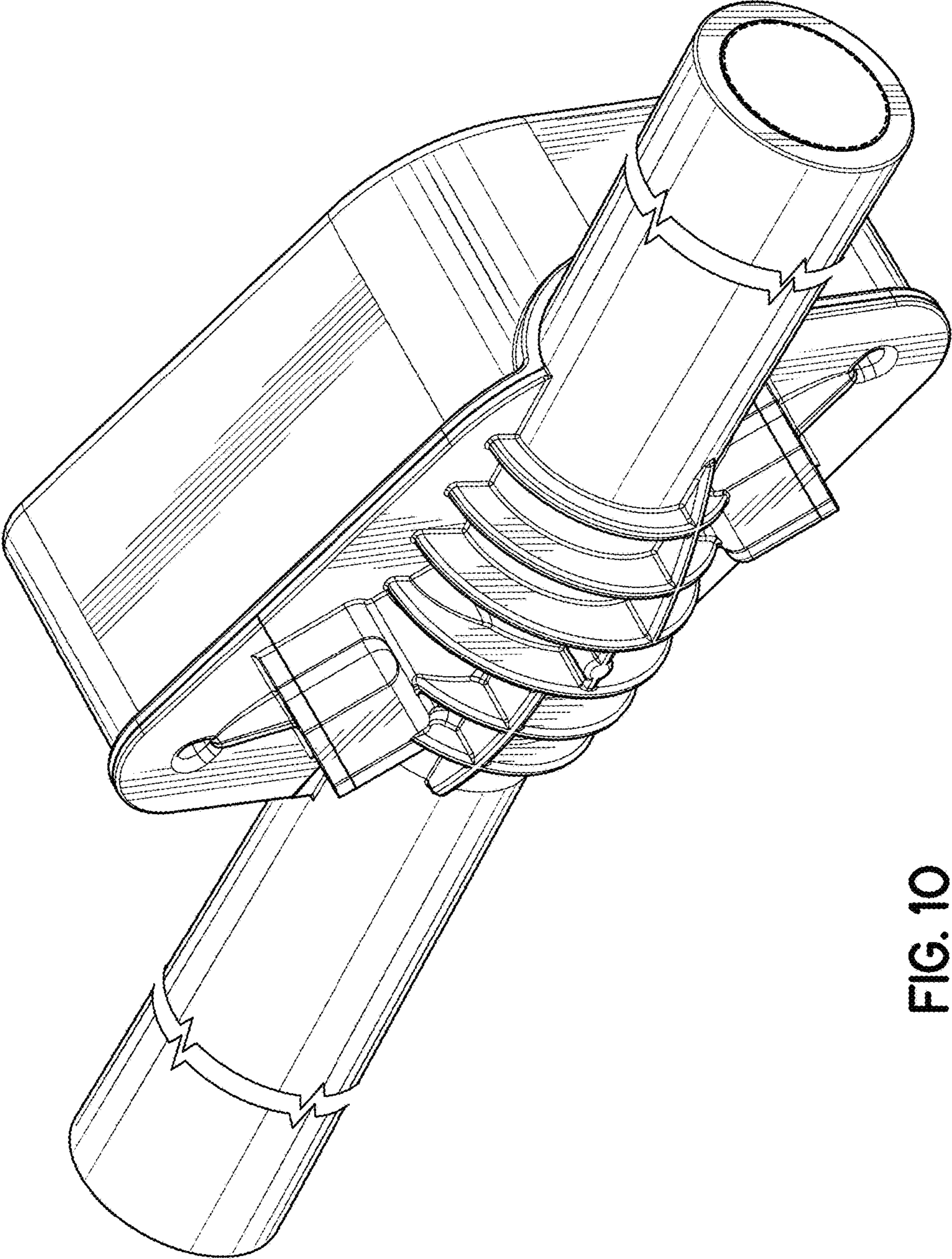


FIG. 10

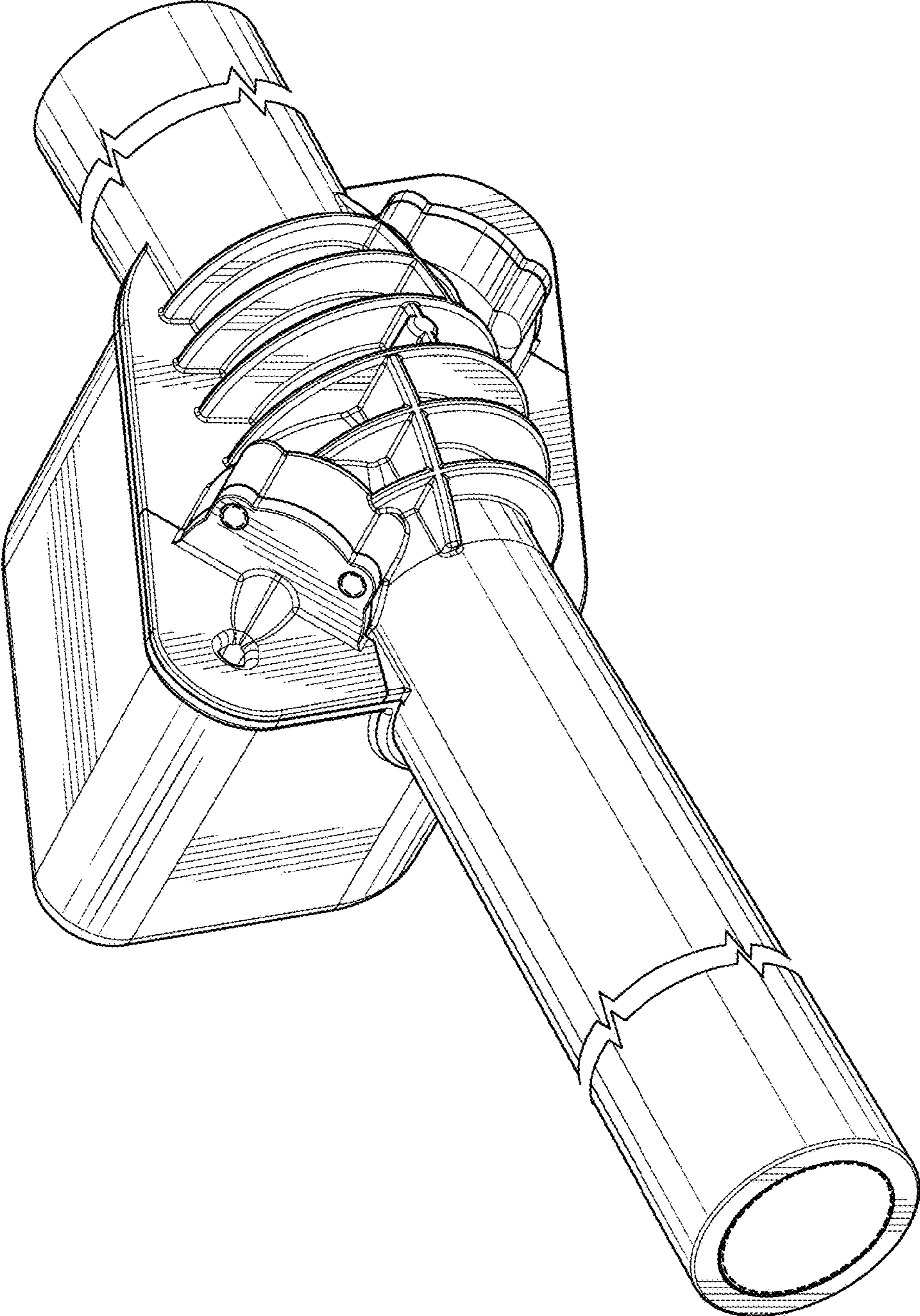


FIG. 11

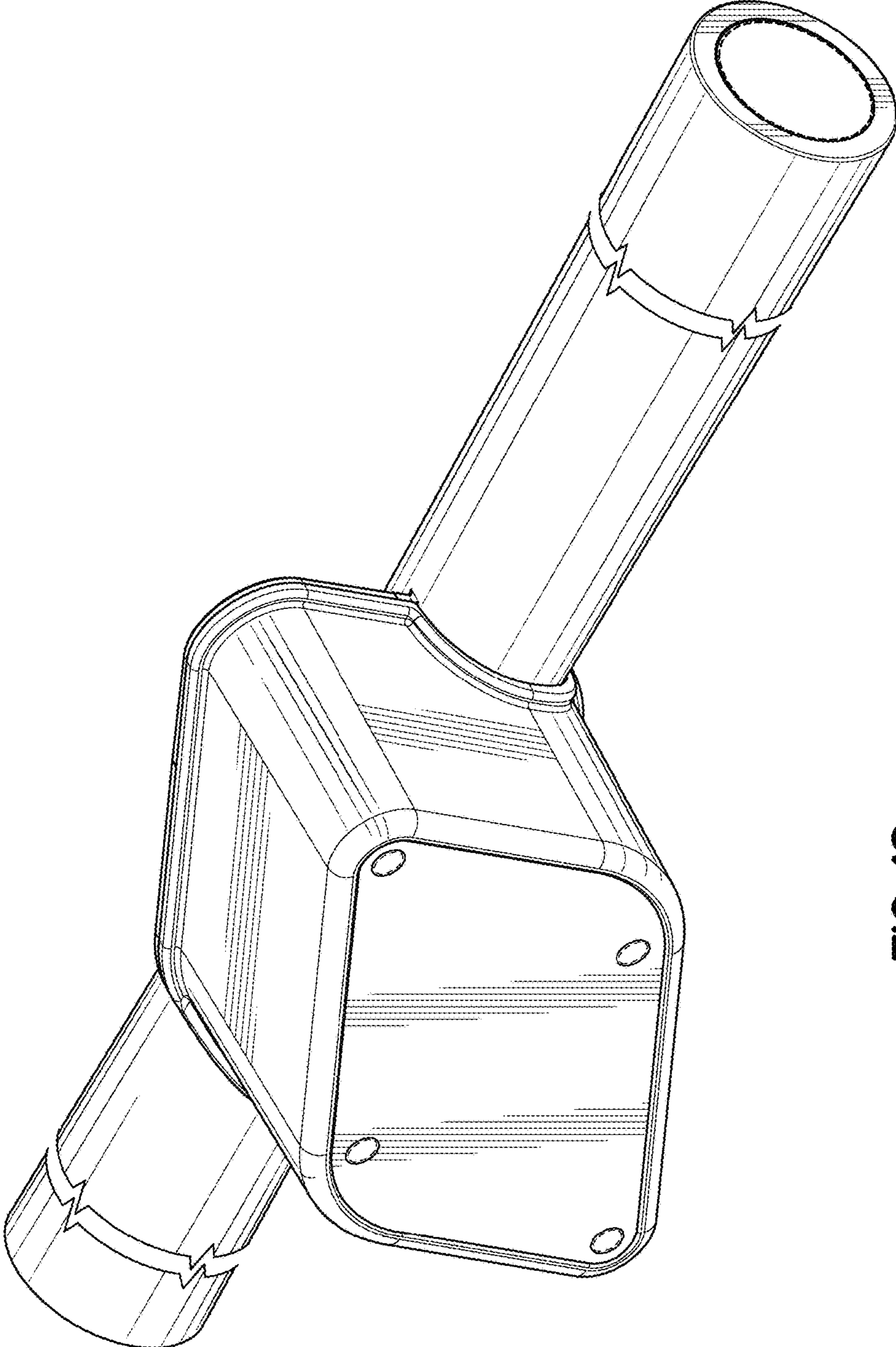


FIG. 12

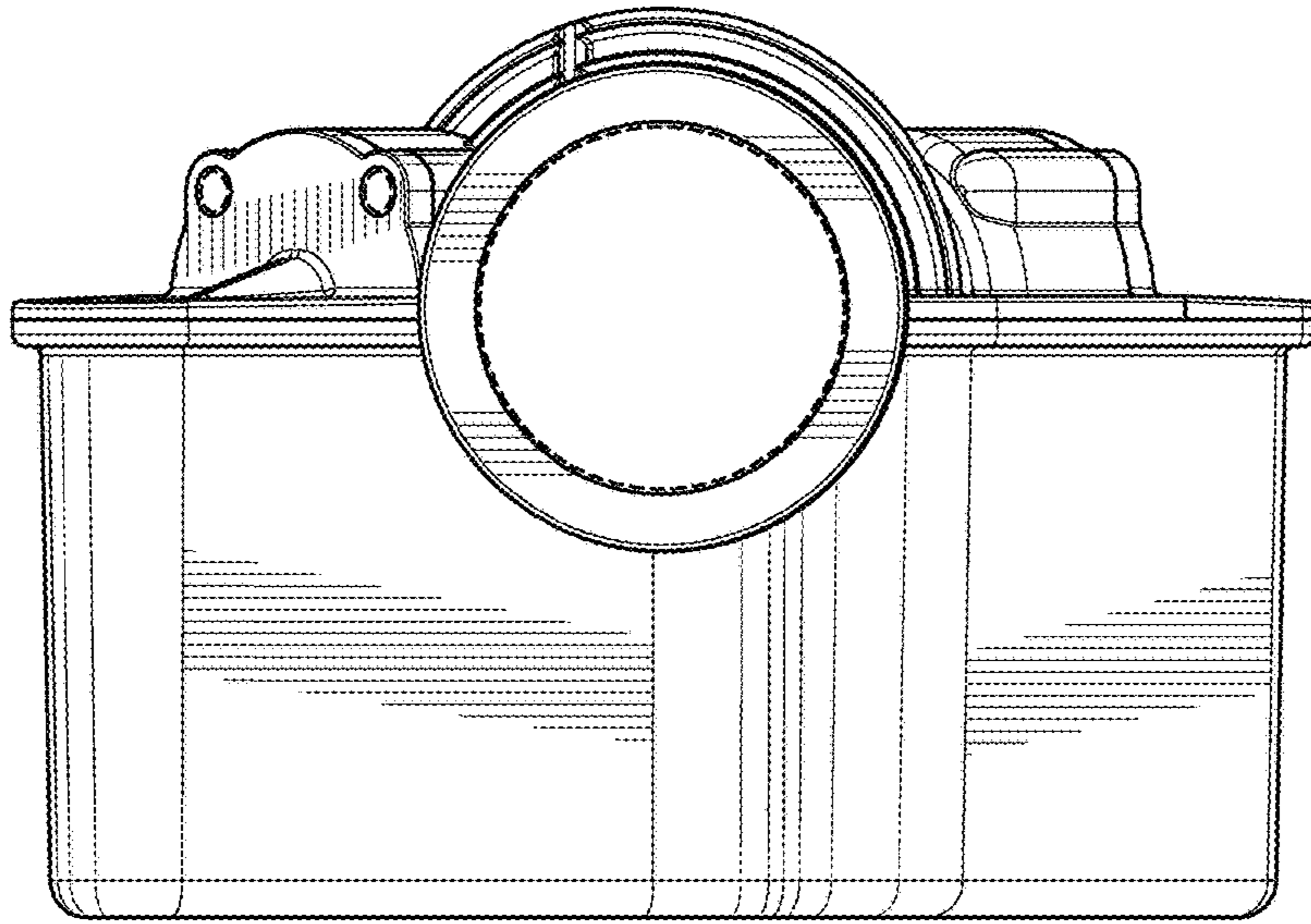


FIG. 14

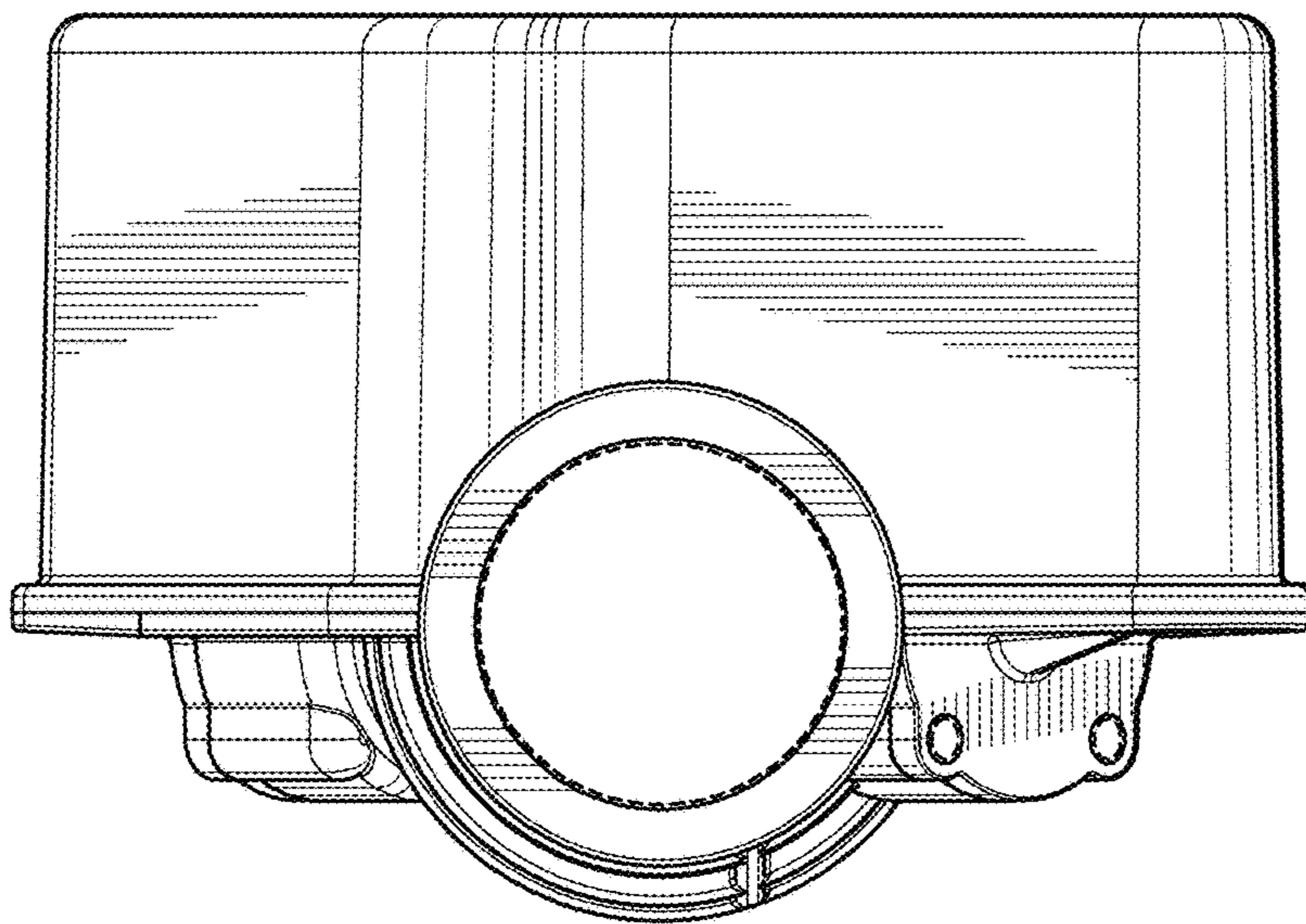


FIG. 13

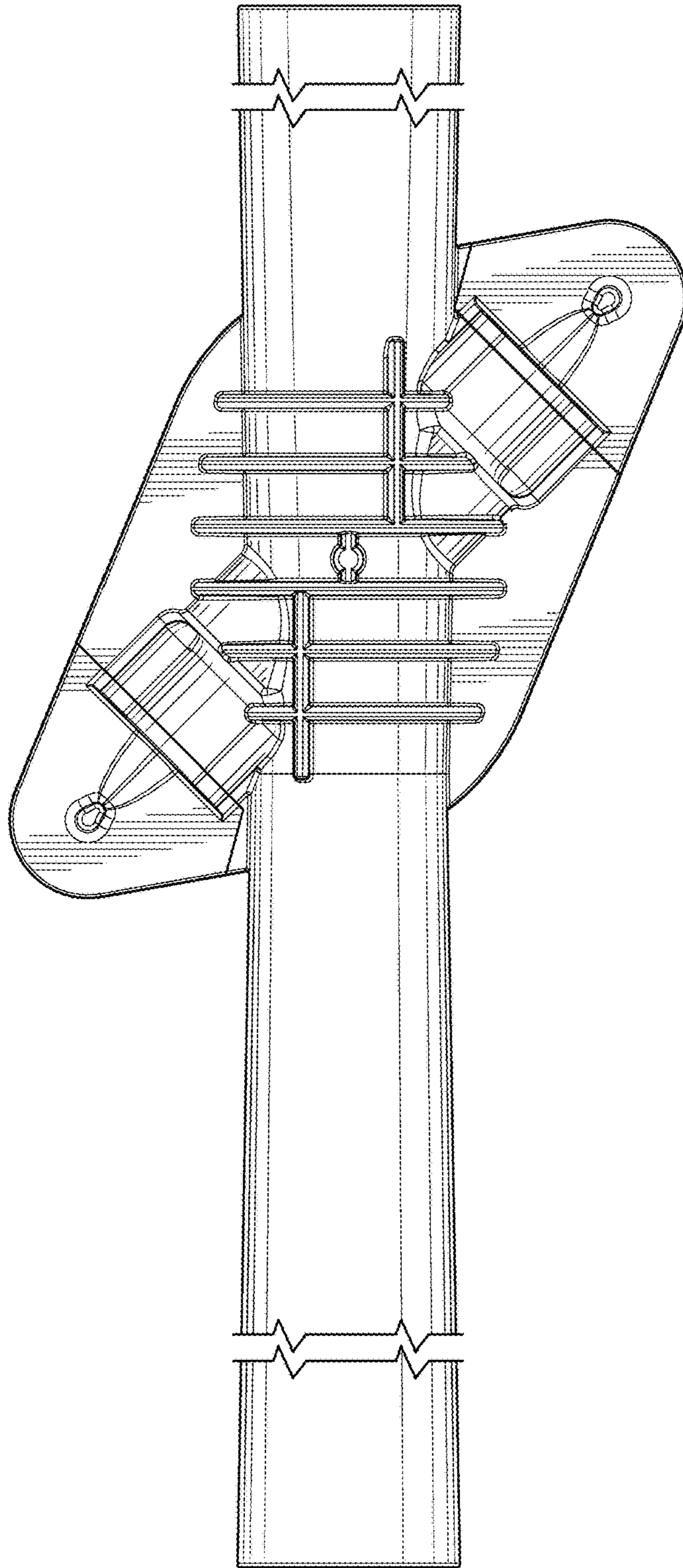


FIG. 15

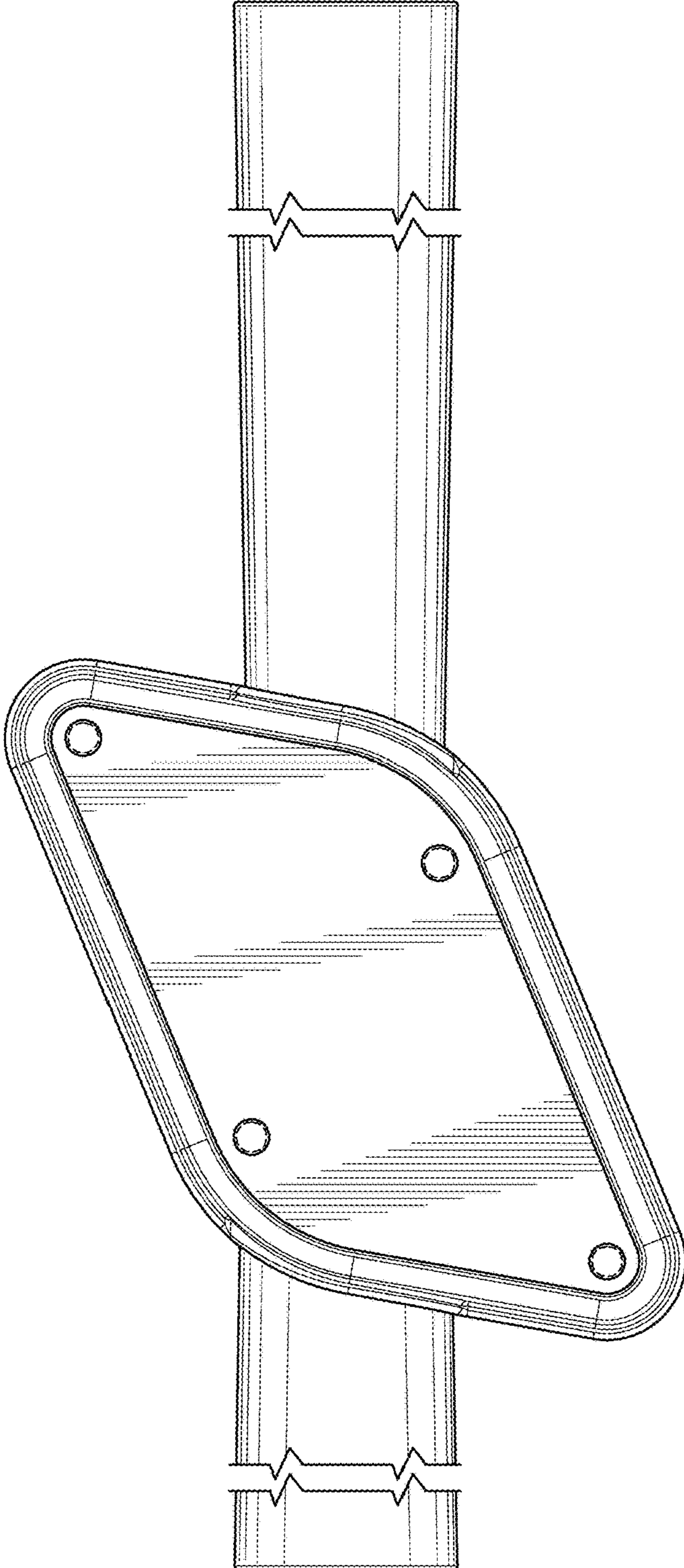


FIG. 16



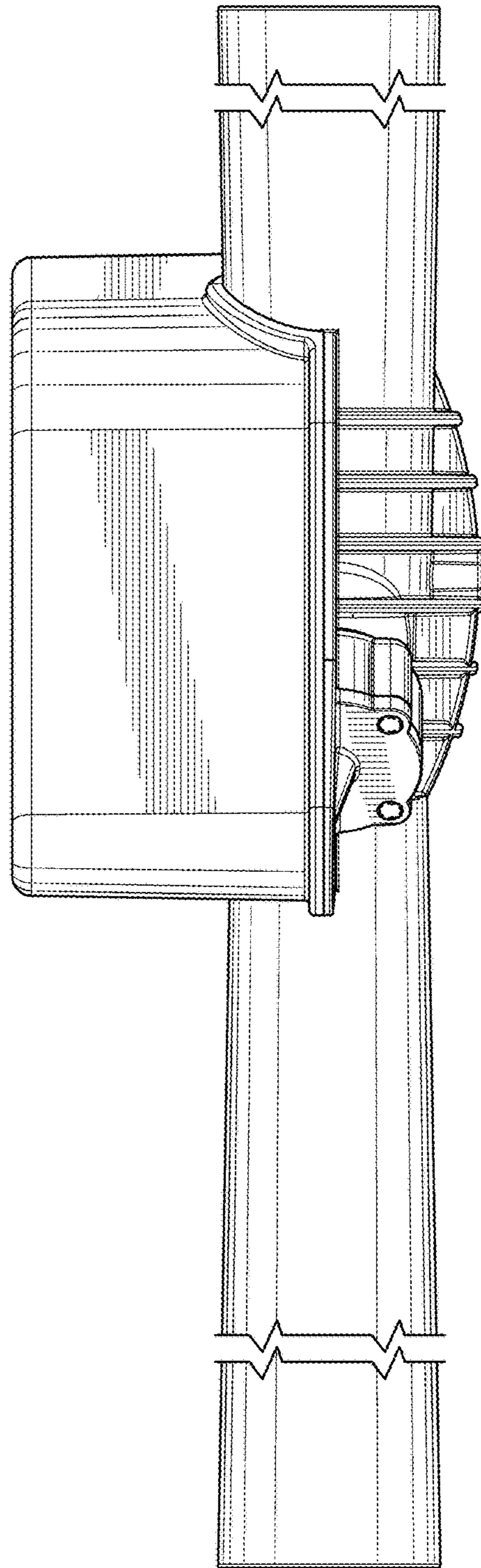


FIG. 17

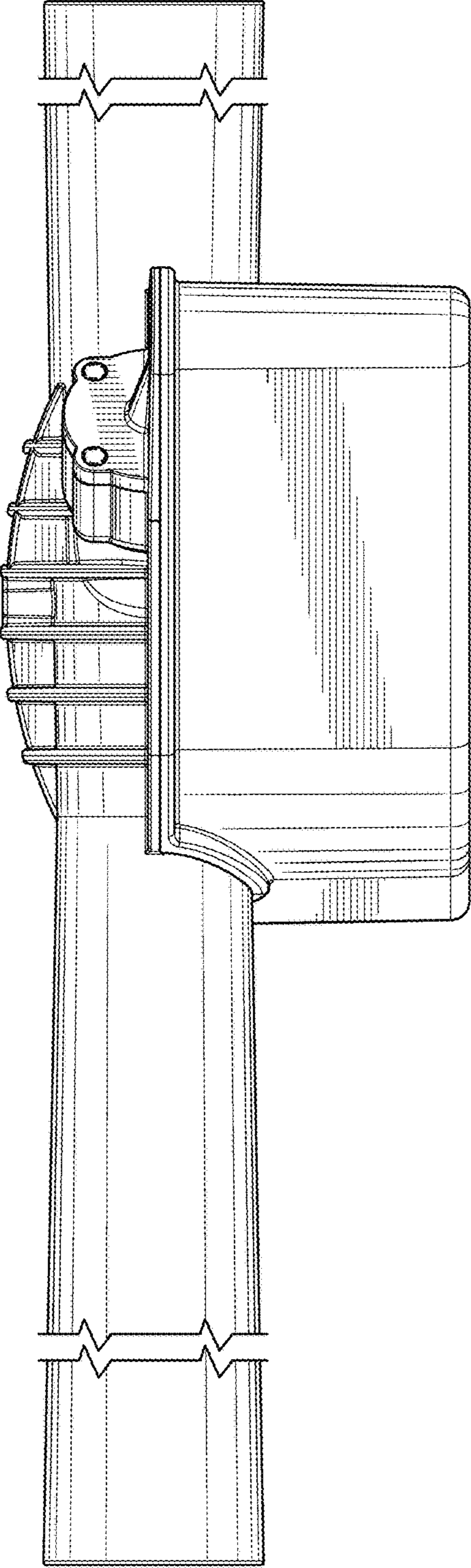


FIG. 18