



US00D851523S

(12) **United States Design Patent** (10) **Patent No.:** **US D851,523 S**  
**Amamiya et al.** (45) **Date of Patent:** **\*\* Jun. 18, 2019**

(54) **VISCOMETER**

(71) Applicant: **ATAGO CO., LTD.**, Tokyo (JP)

(72) Inventors: **Hideyuki Amamiya**, Tokyo (JP); **Keiji Kawada**, Tokyo (JP); **Yoshinori Nakashima**, Tokyo (JP)

(73) Assignee: **ATAGO CO., LTD.**, Tokyo (JP)

(\*\*) Term: **15 Years**

(21) Appl. No.: **29/627,132**

(22) Filed: **Nov. 22, 2017**

(30) **Foreign Application Priority Data**

May 26, 2017 (JP) ..... 2017-011285

(51) **LOC (11) Cl.** ..... **10-04**

(52) **U.S. Cl.**  
USPC ..... **D10/96**

(58) **Field of Classification Search**

USPC ..... D10/96

CPC ..... G01N 11/00; G01N 2011/0006; G01N 2011/0013; G01N 2011/002; G01N 2011/0026; G01N 2011/0033; G01N 2011/004; G01N 2011/0046; G01N 2011/0053; G01N 2011/006; G01N 2011/0066; G01N 2011/0073; G01N 2011/008; G01N 2011/0086; G01N 2011/0093; G01N 11/02; G01N 11/04; G01N 11/06; G01N 11/08; G01N 11/10; G01N 11/105; G01N 11/12; G01N 11/14; G01N 11/142; G01N 2011/145; G01N 2011/147; G01N 11/16; G01N 11/162; G01N 11/165; G01N 11/167; G01N 21/49

See application file for complete search history.

(56) **References Cited**

U.S. PATENT DOCUMENTS

D773,943 S \* 12/2016 Shalem ..... D10/68  
D788,623 S \* 6/2017 Amamiya ..... D10/103  
D796,362 S \* 9/2017 Amamiya ..... D10/96

\* cited by examiner

*Primary Examiner* — Antoine Duval Davis

(74) *Attorney, Agent, or Firm* — Brooks Kushman P.C.

(57) **CLAIM**

The ornamental design for a viscometer, as shown and described.

**DESCRIPTION**

FIG. 1 illustrates a perspective view of a viscometer according to one embodiment.

FIG. 2 illustrates a front view of the viscometer of FIG. 1.

FIG. 3 illustrates a rear view of the viscometer of FIG. 1.

FIG. 4 illustrates a left-side view of the viscometer of FIG. 1.

FIG. 5 illustrates a right-side view of the viscometer of FIG. 1.

FIG. 6 illustrates a top view of the viscometer of FIG. 1.

FIG. 7 illustrates a bottom view of the viscometer of FIG. 1.

FIG. 8 illustrates a section view of the viscometer of FIG. 1 taken through section 8-8 as shown in FIG. 2.

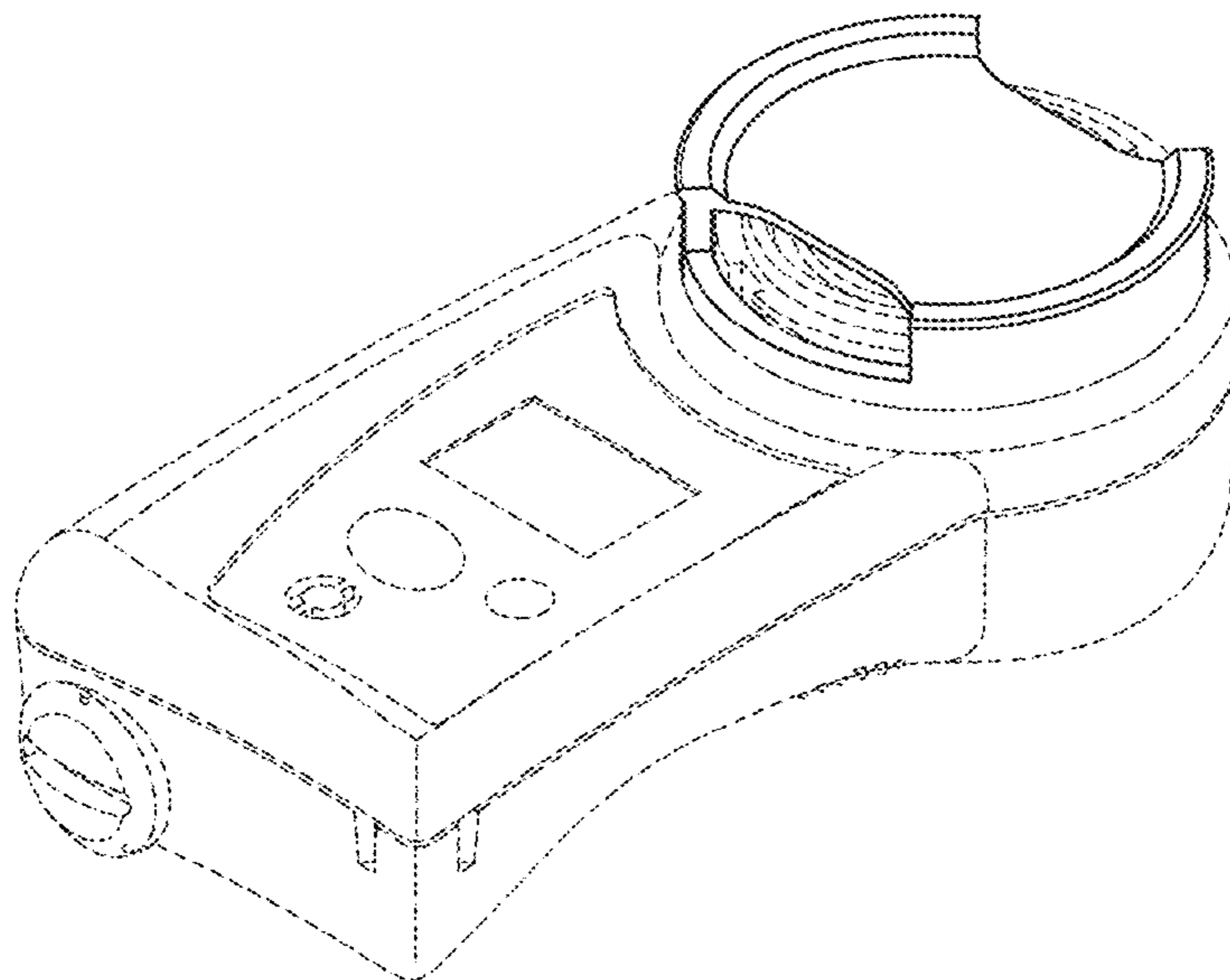
FIG. 9 illustrates an enlarged portion 9-9 of the section view of the cover of the viscometer shown in FIG. 8.

FIG. 10 illustrates a perspective view of a cover of a viscometer according to one embodiment; and,

FIG. 11 illustrates a bottom view of the cover of the viscometer of FIG. 11, the top view being symmetric to the bottom view.

The broken lines are for illustrative purposes only and form no part of the claimed design.

**1 Claim, 6 Drawing Sheets**



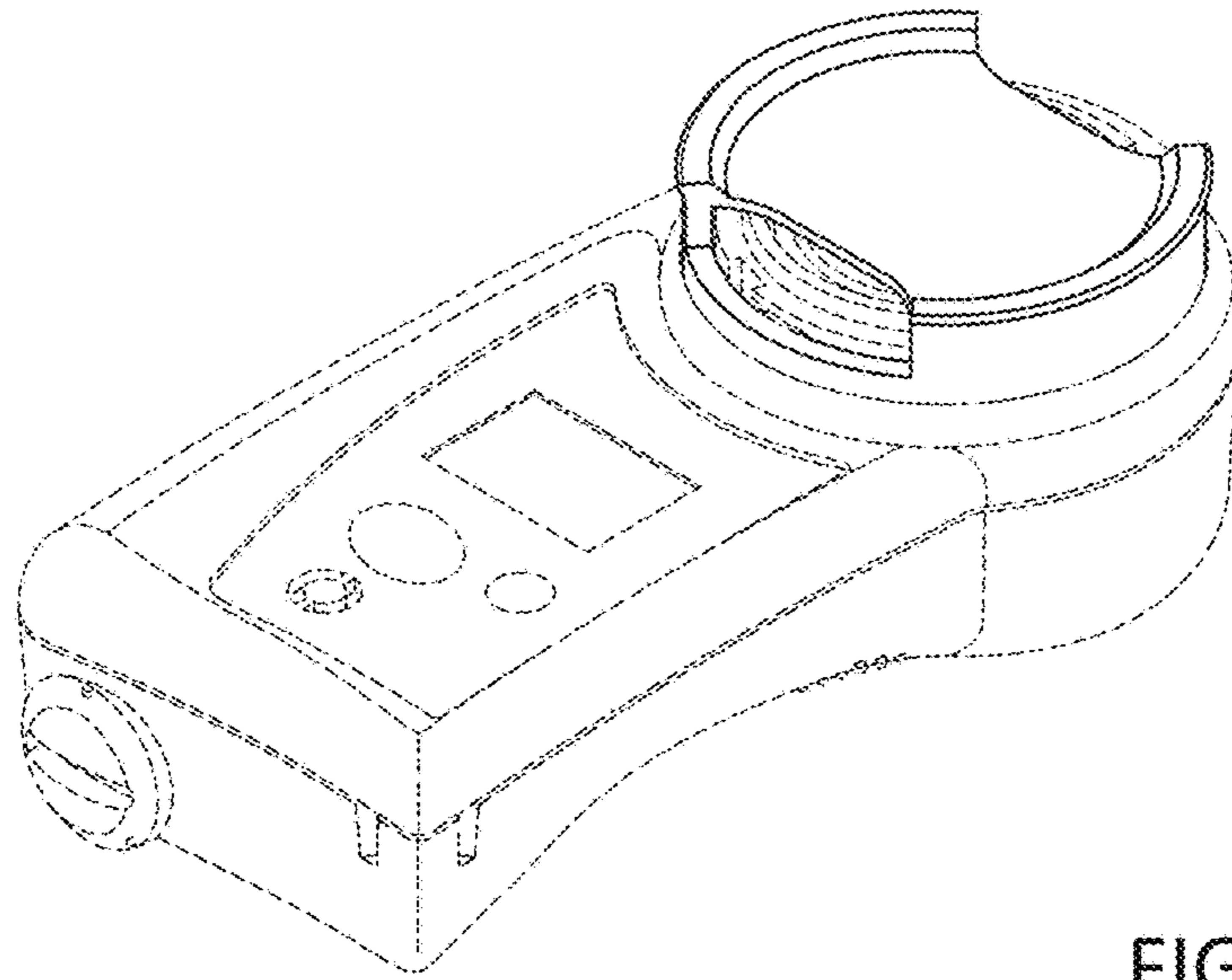


FIG. 1

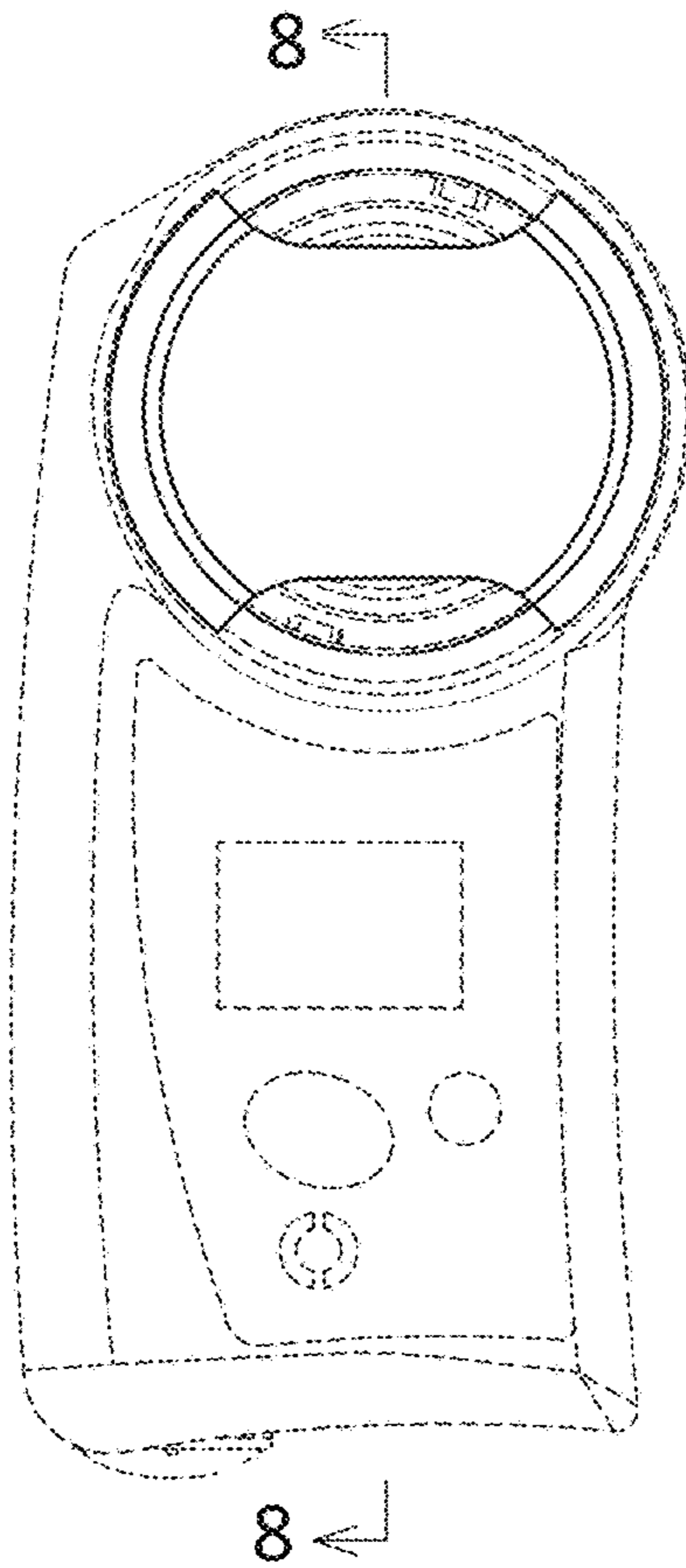


FIG. 2

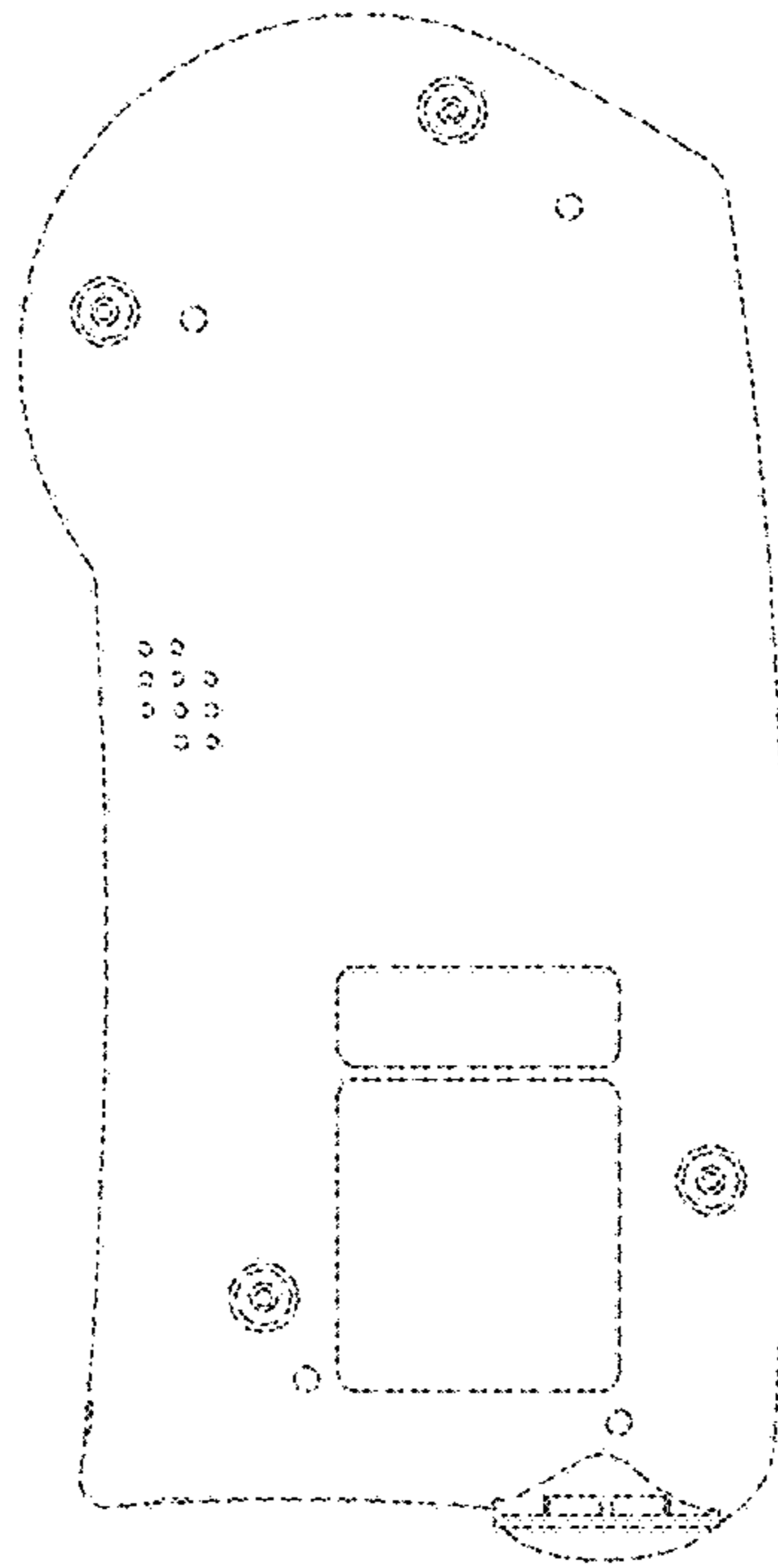


FIG. 3

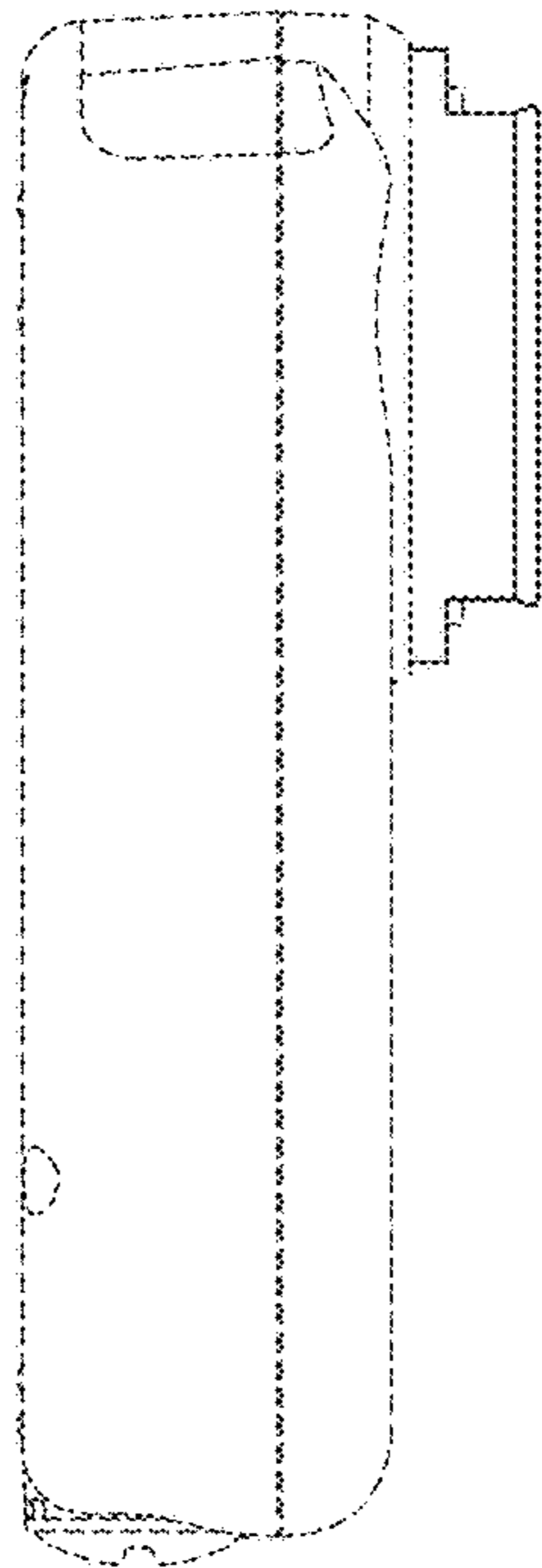


FIG. 4

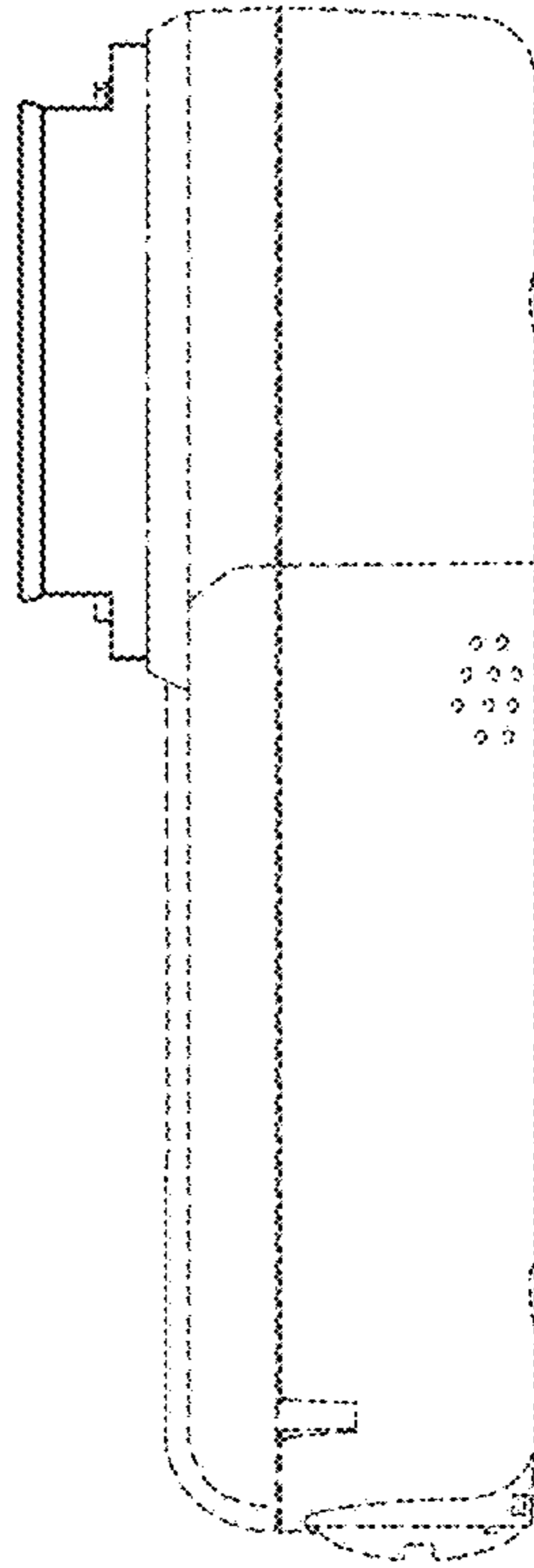


FIG. 5

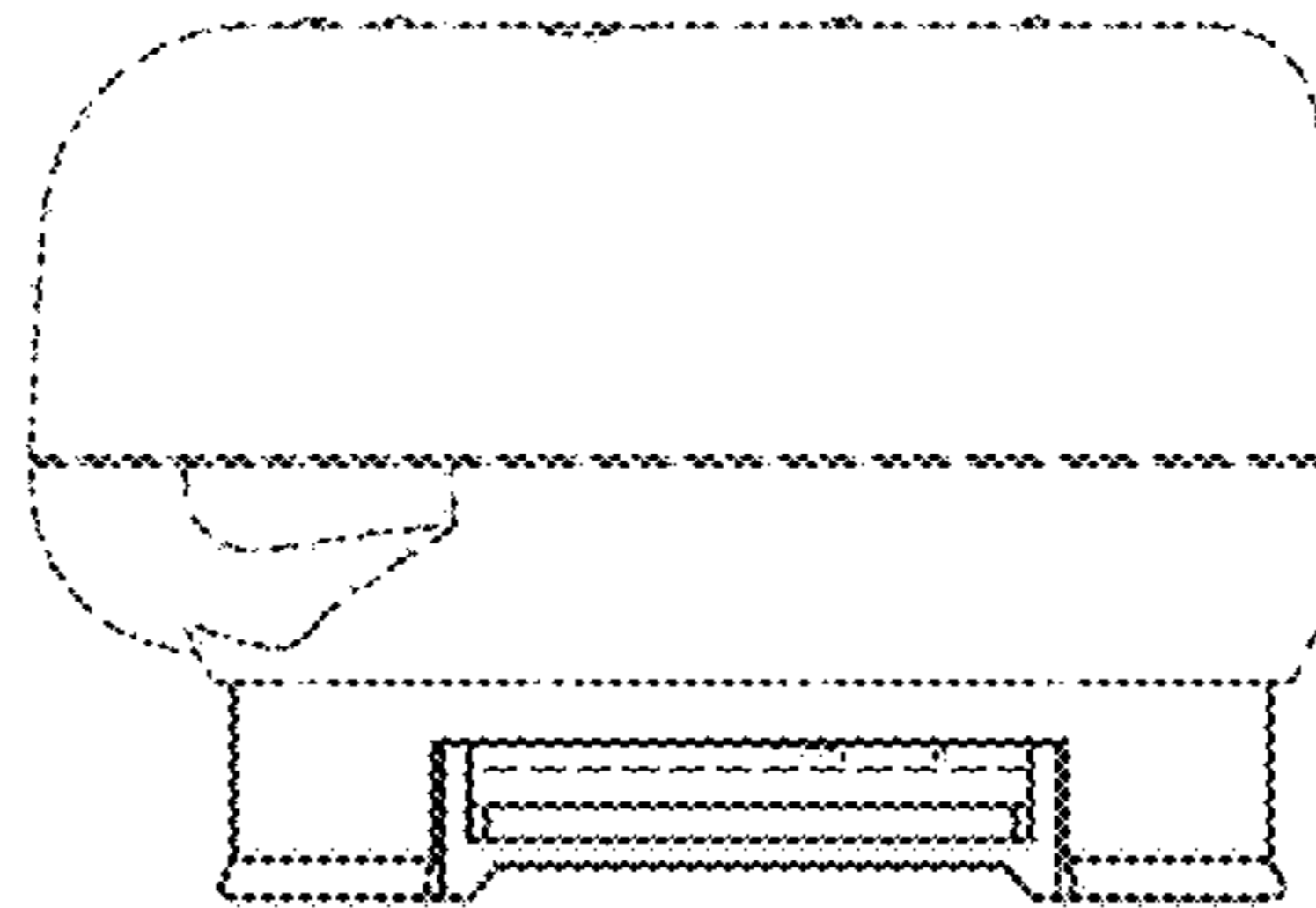


FIG. 6

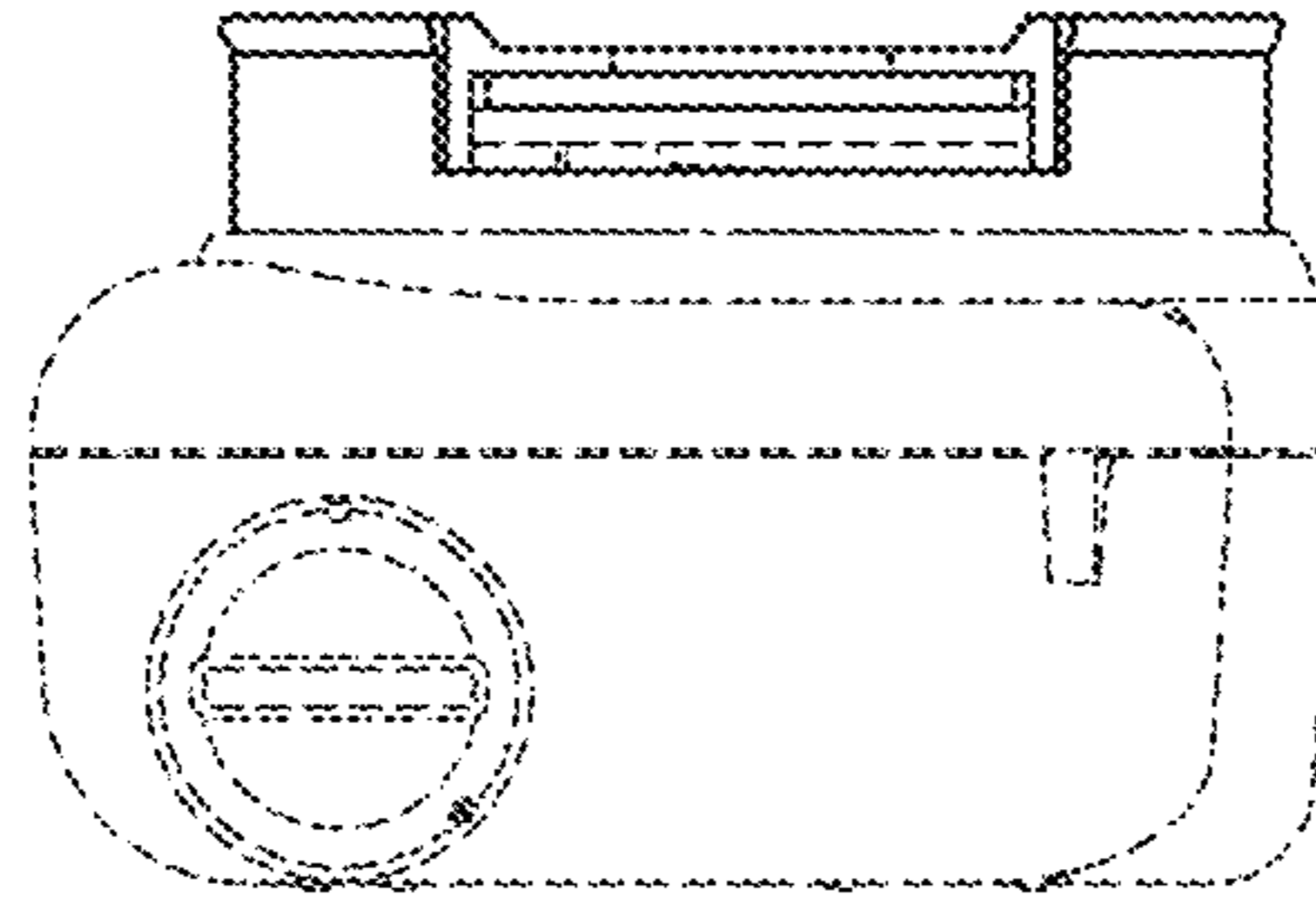


FIG. 7

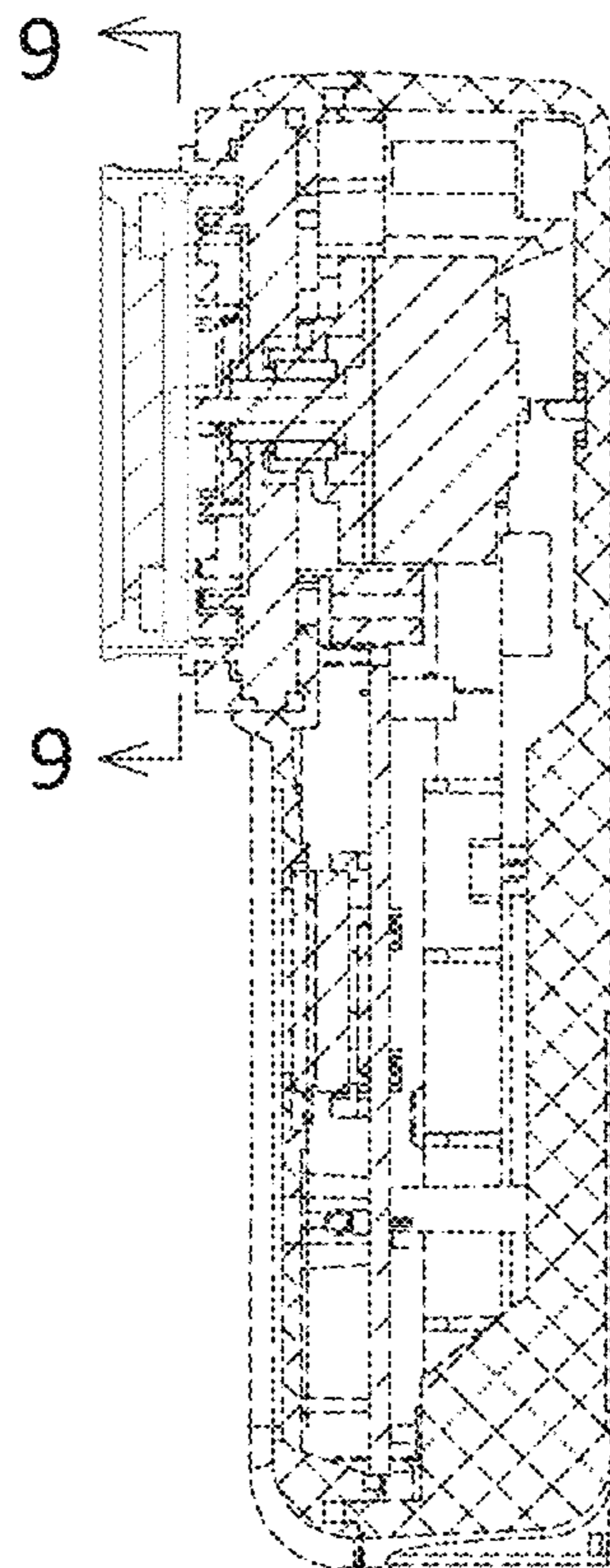


FIG. 8



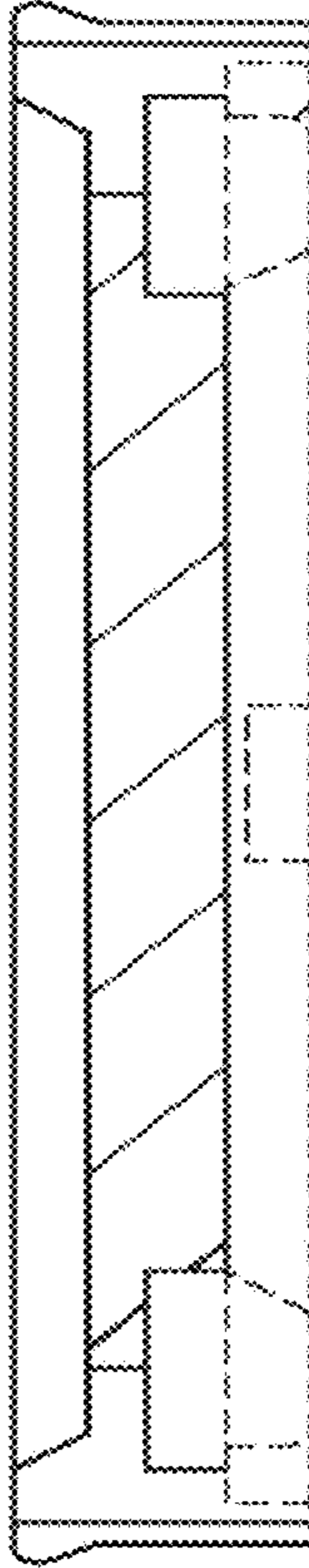


FIG. 9

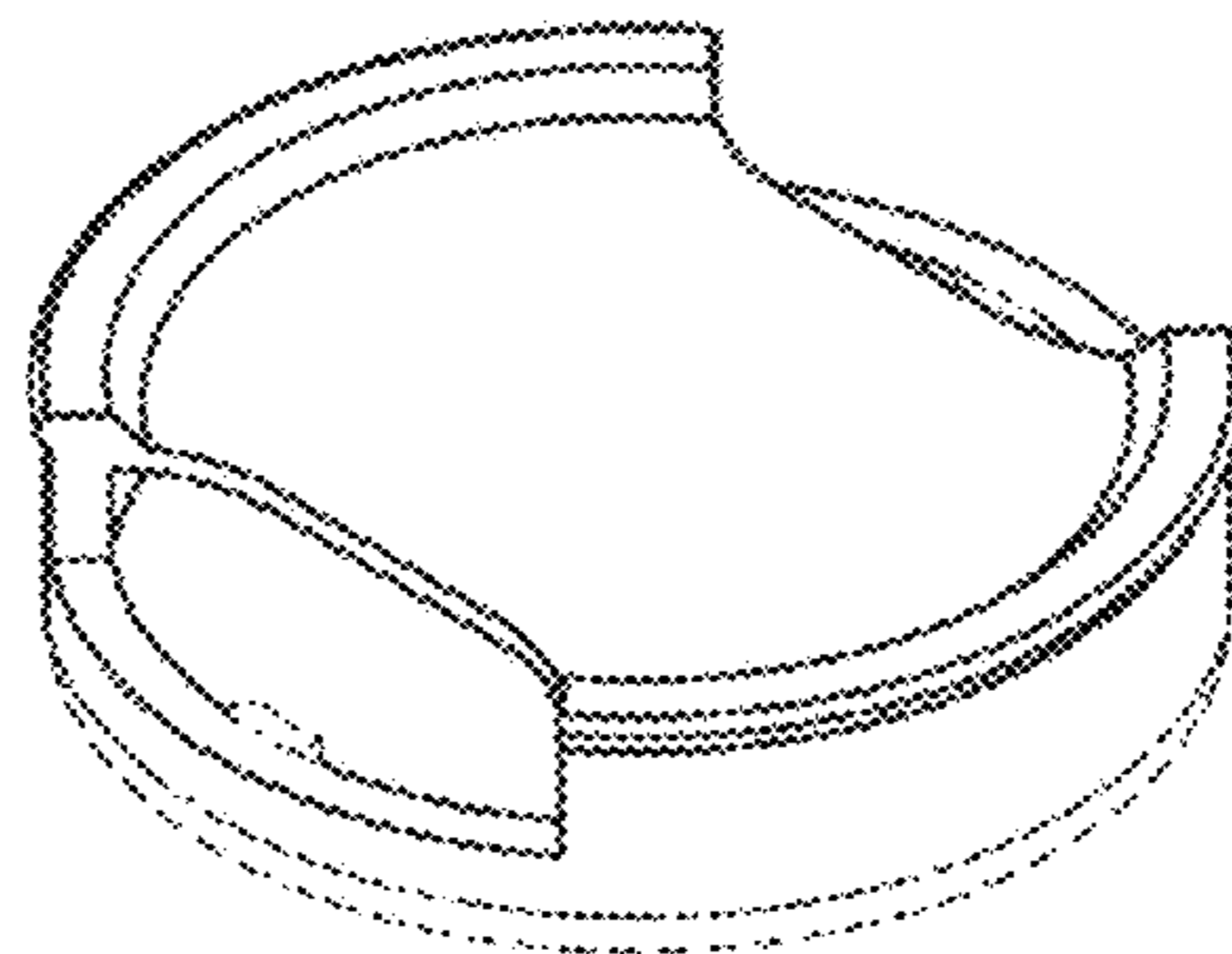


FIG. 10

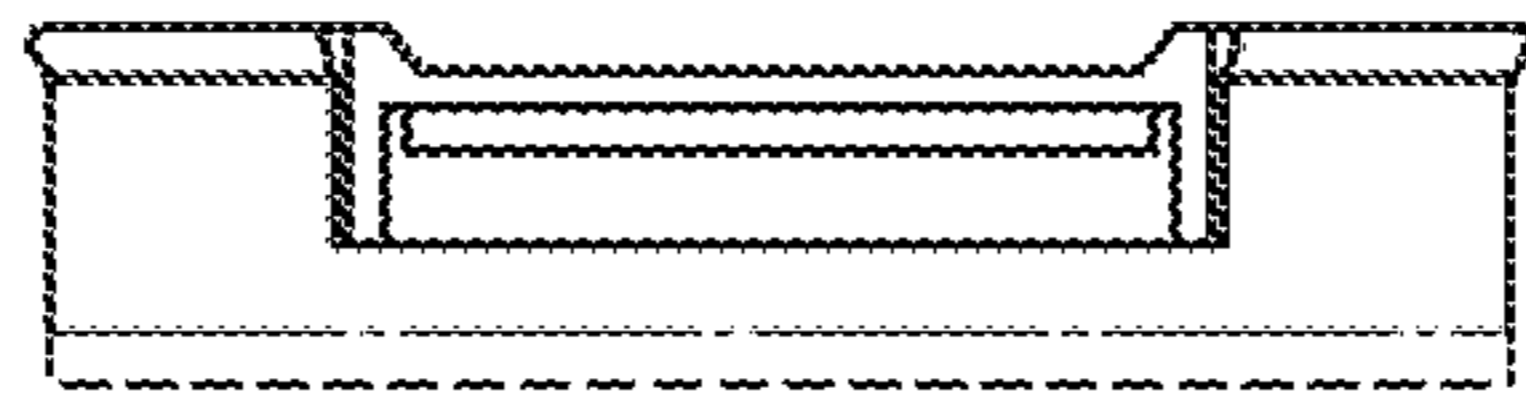


FIG. 11