



US00D851522S

(12) **United States Design Patent** (10) **Patent No.:** **US D851,522 S**
Hong (45) **Date of Patent:** **** Jun. 18, 2019**

(54) **DIGITAL SCALE**

(71) Applicant: **Anhui UNI Electronic Technology Co., Ltd, Anhui (CN)**

(72) Inventor: **Peiguang Hong, Anhui (CN)**

(**) Term: **15 Years**

(21) Appl. No.: **29/626,443**

(22) Filed: **Nov. 17, 2017**

(51) **LOC (11) Cl.** **10-04**

(52) **U.S. Cl.**
USPC **D10/94**

(58) **Field of Classification Search**
USPC D10/89, 94
CPC G01G 23/18; G01G 23/36; G01G 23/37;
G01G 23/3728; G01G 23/3735; G01G
23/42
See application file for complete search history.

(56) **References Cited**

U.S. PATENT DOCUMENTS

D507,983 S *	8/2005	Kobayakawa	D10/94
D578,916 S *	10/2008	Kobayakawa	D10/94
D582,308 S *	12/2008	Kajita	D10/94
D766,764 S *	9/2016	Little	D10/89

* cited by examiner

Primary Examiner — Antoine Duval Davis

(74) *Attorney, Agent, or Firm* — Prakash Nama; Global IP Services, PLLC

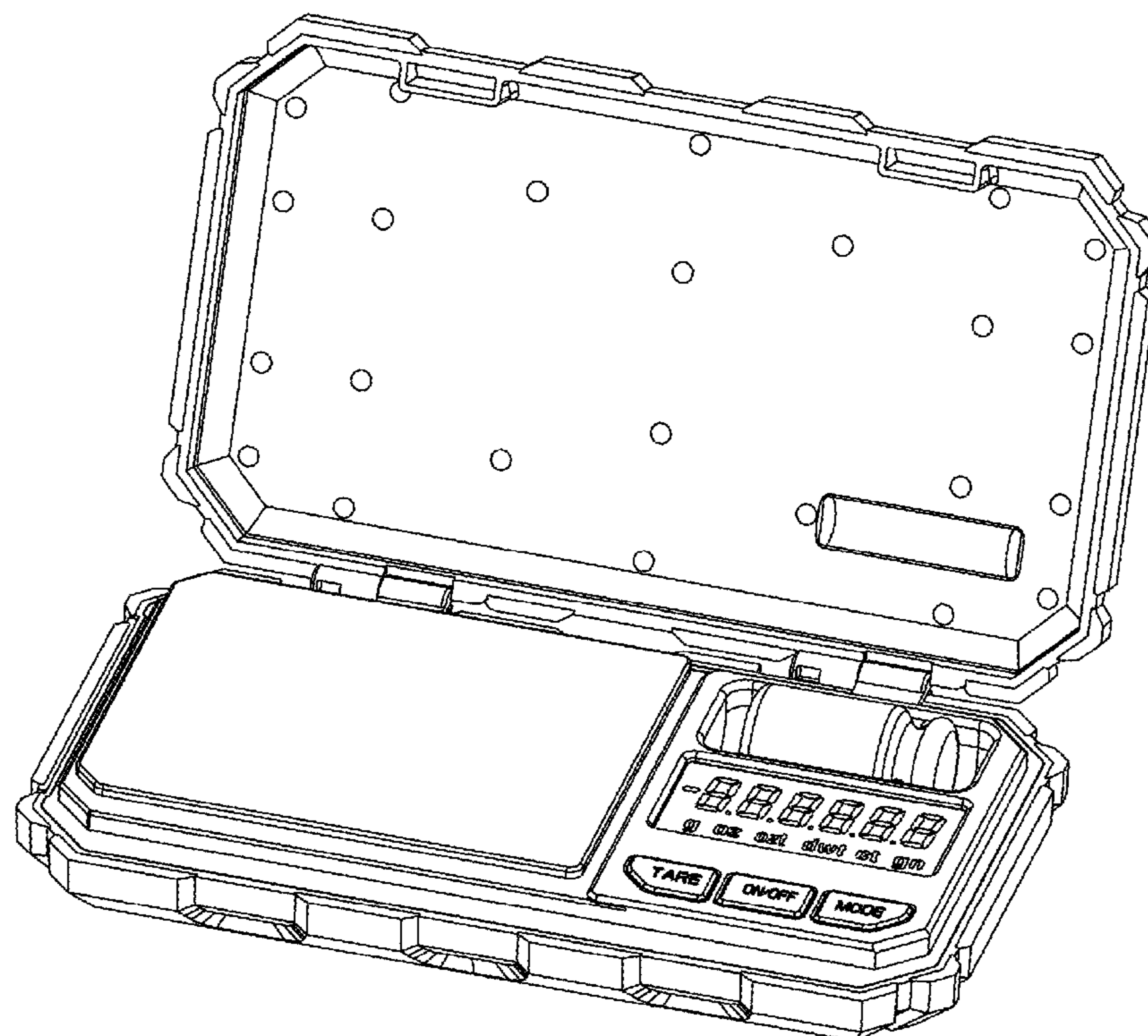
(57) **CLAIM**

The ornamental design for a digital scale, as shown.

DESCRIPTION

FIG. 1 is a front elevational view of a digital scale showing my new design;
FIG. 2 is a rear elevational view thereof;
FIG. 3 is a left side view thereof;
FIG. 4 is a right side view thereof;
FIG. 5 is a top plan view thereof;
FIG. 6 is a bottom plan view thereof;
FIG. 7 is a perspective view thereof;
FIG. 8 is a second perspective view thereof;
FIG. 9 is a third perspective view thereof;
FIG. 10 is a front elevational view in open state;
FIG. 11 is a rear elevational view in open state;
FIG. 12 is a left side view in open state;
FIG. 13 is a right side view in open state;
FIG. 14 is a top plan view in open state;
FIG. 15 is a bottom plan view in open state;
FIG. 16 is a perspective view in open state; and,
FIG. 17 is another perspective in open state.

1 Claim, 11 Drawing Sheets



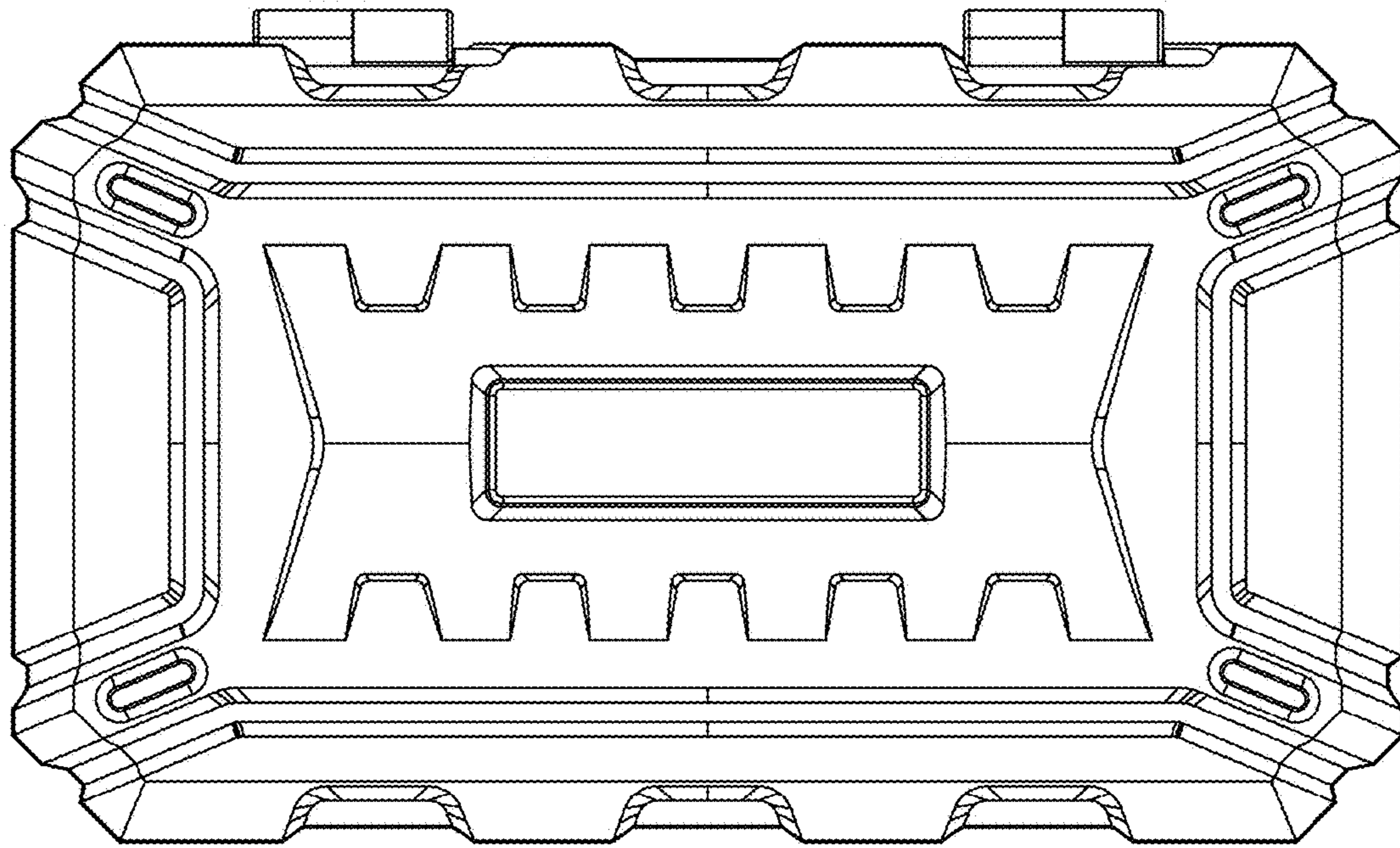


FIG. 1

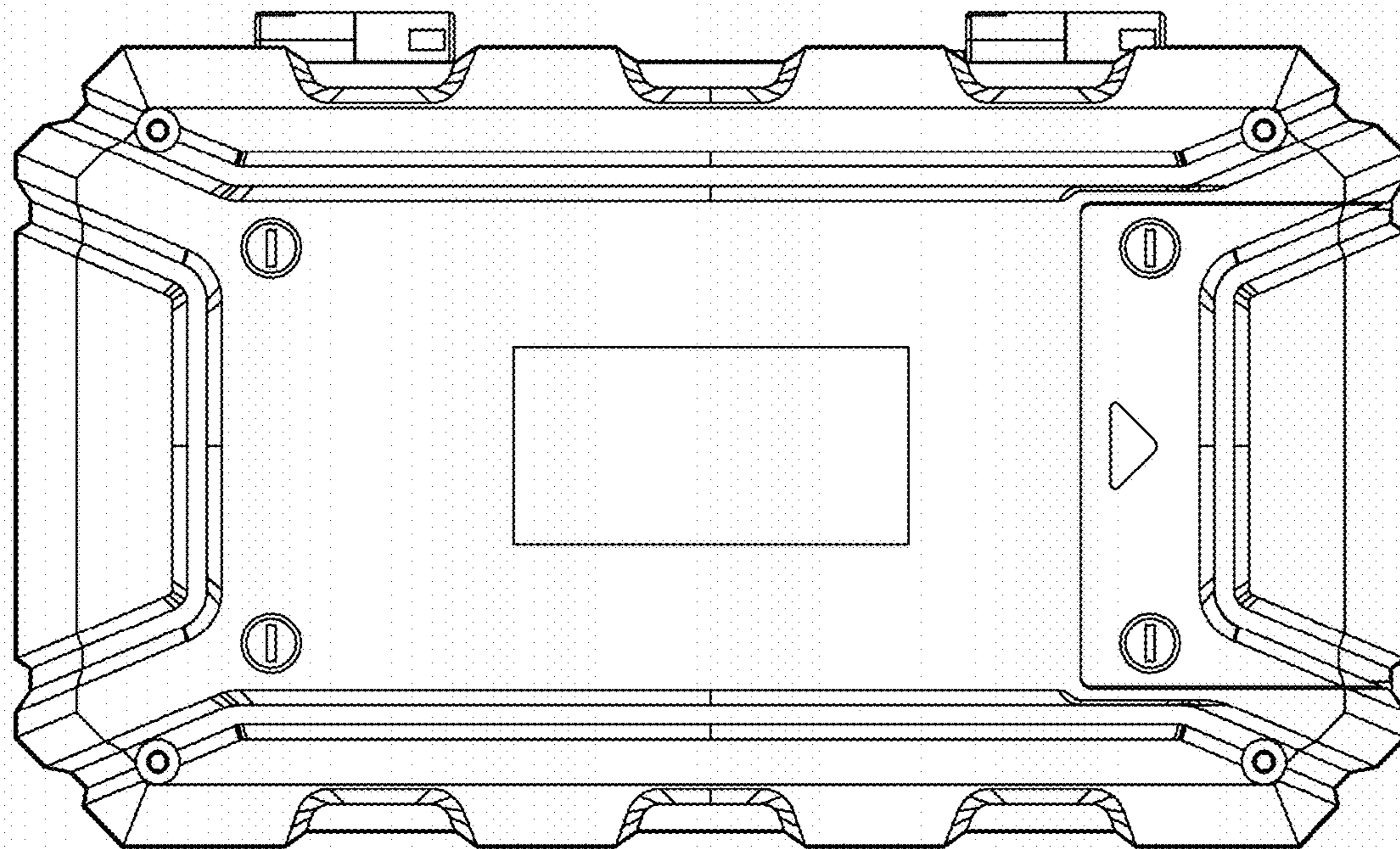


FIG. 2

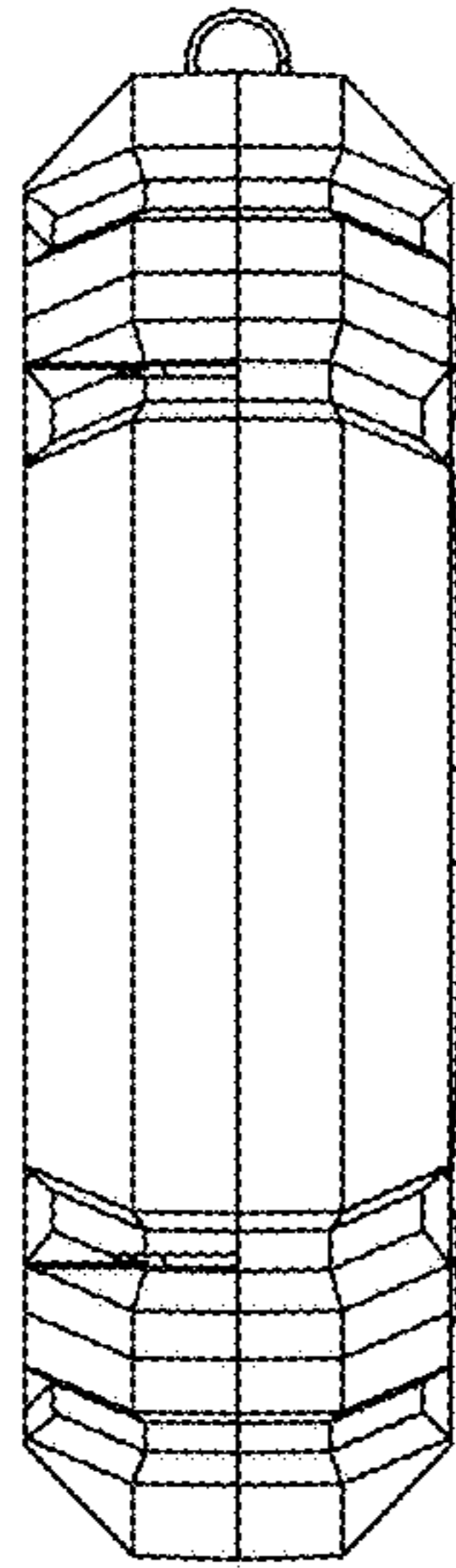


FIG. 3

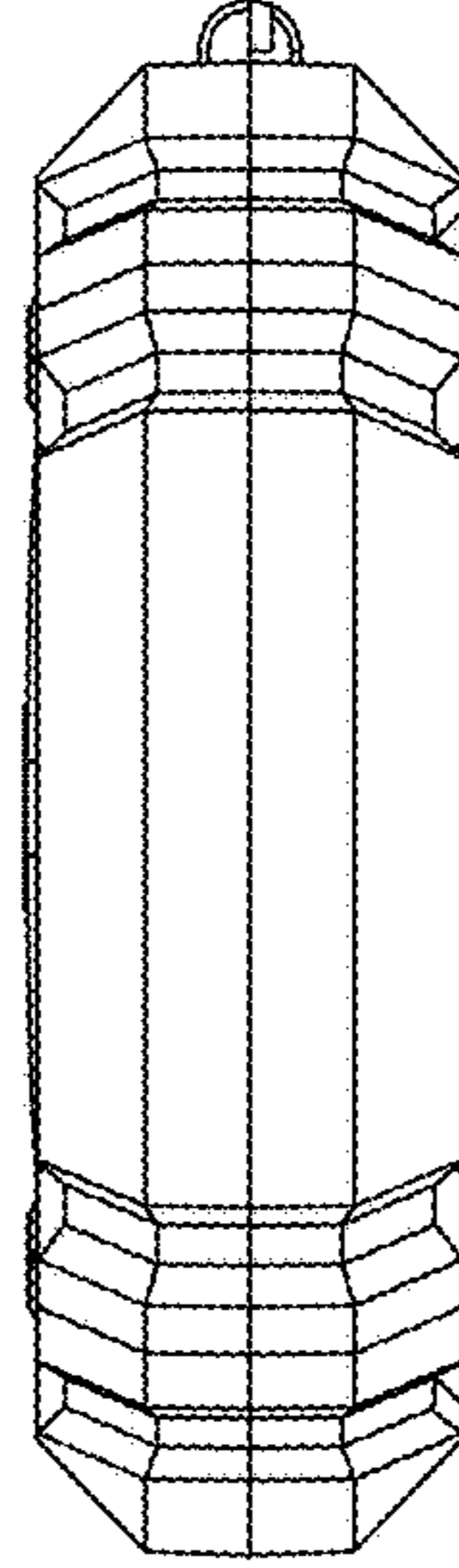


FIG. 4

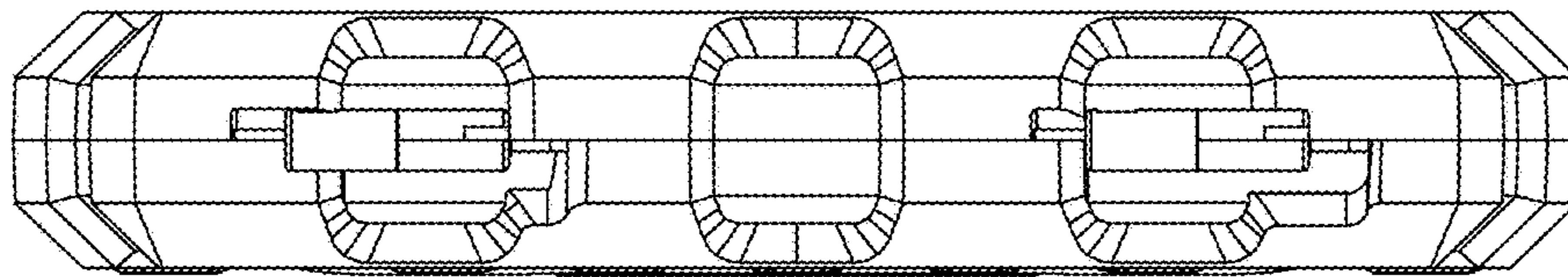


FIG. 5

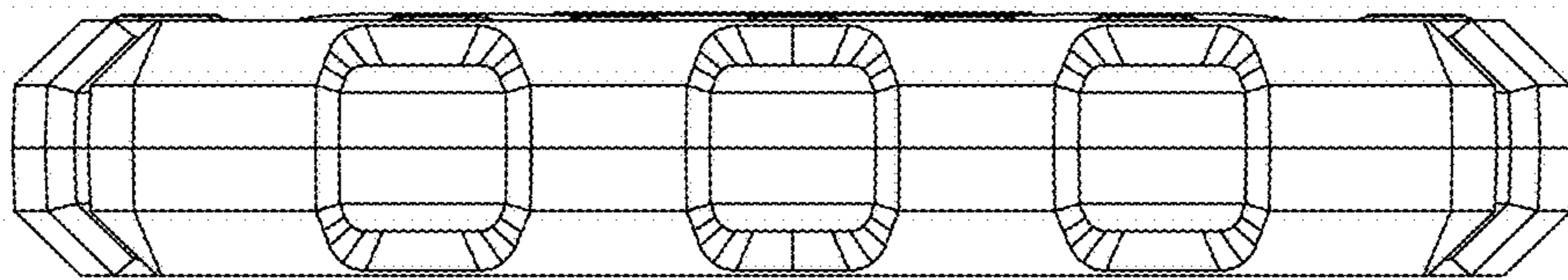


FIG. 6

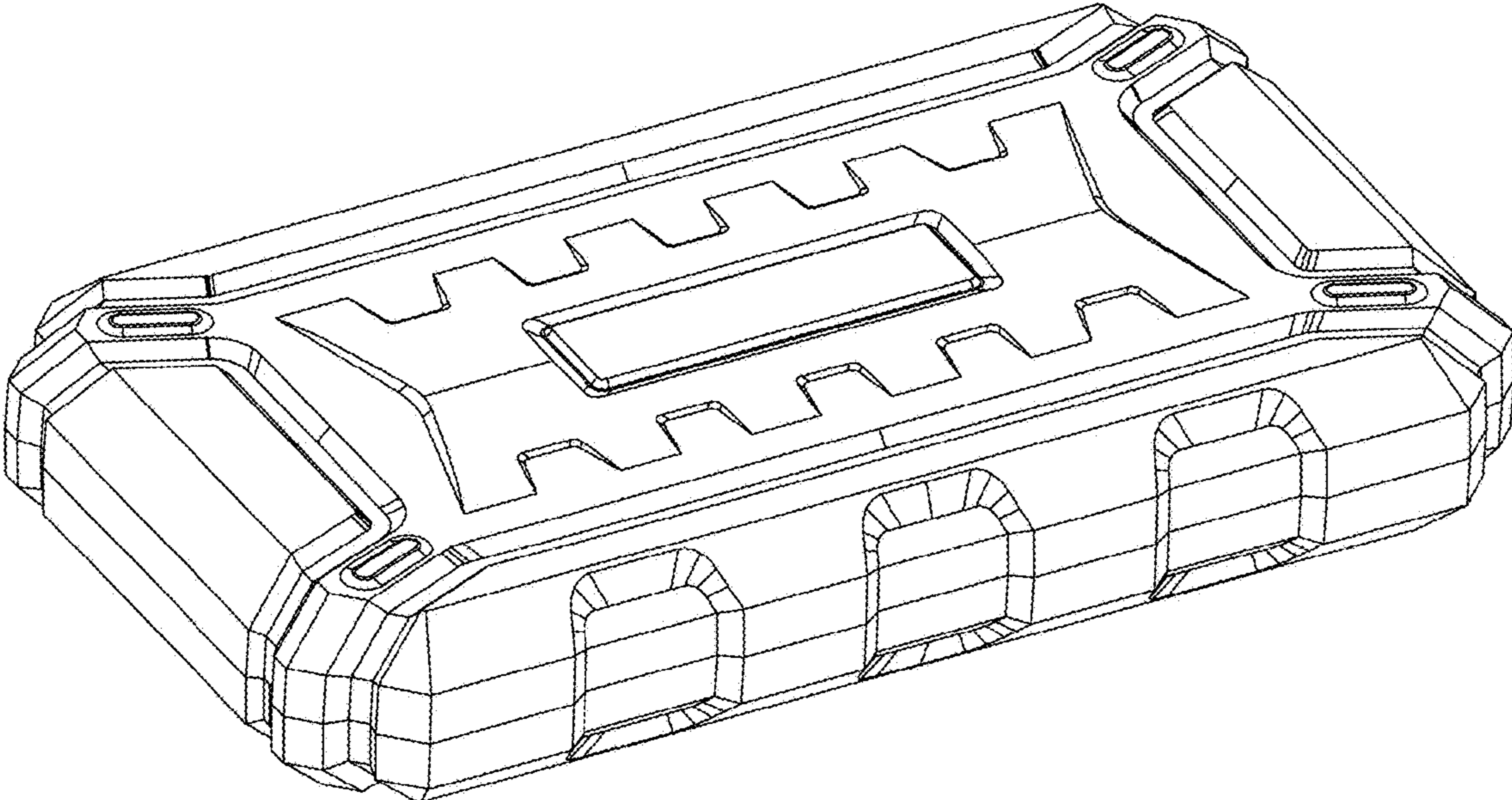


FIG. 7

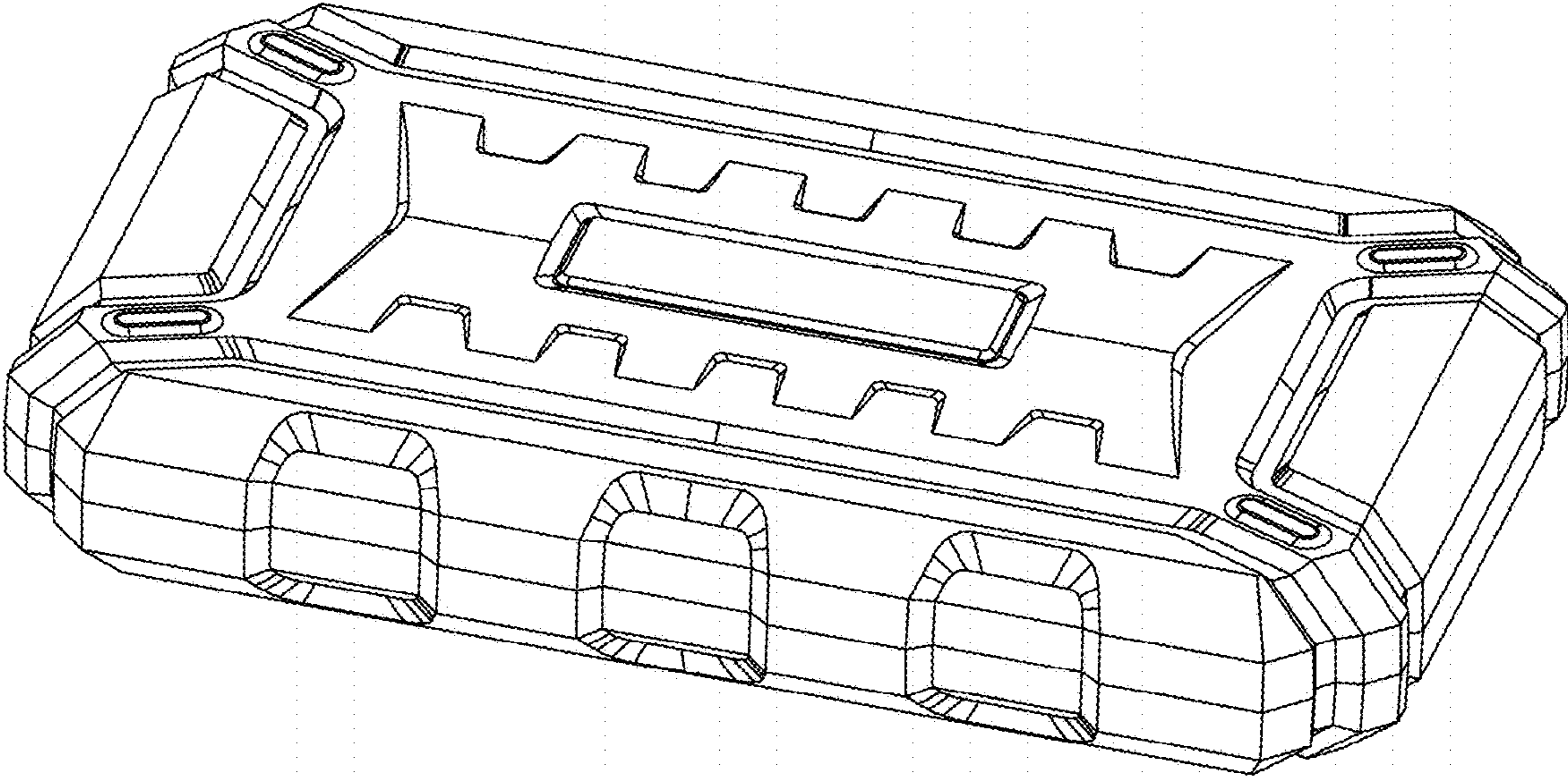


FIG. 8

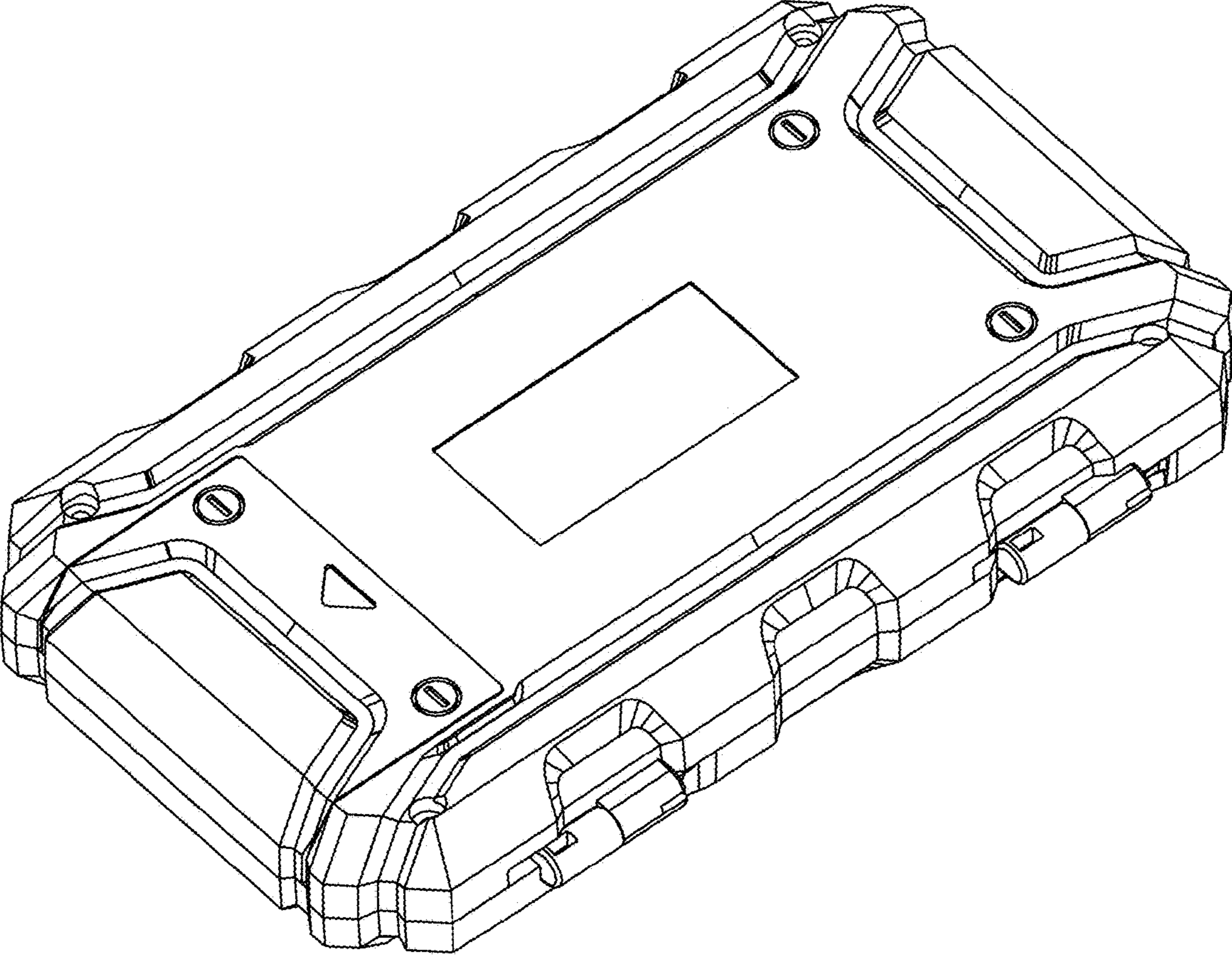


FIG. 9

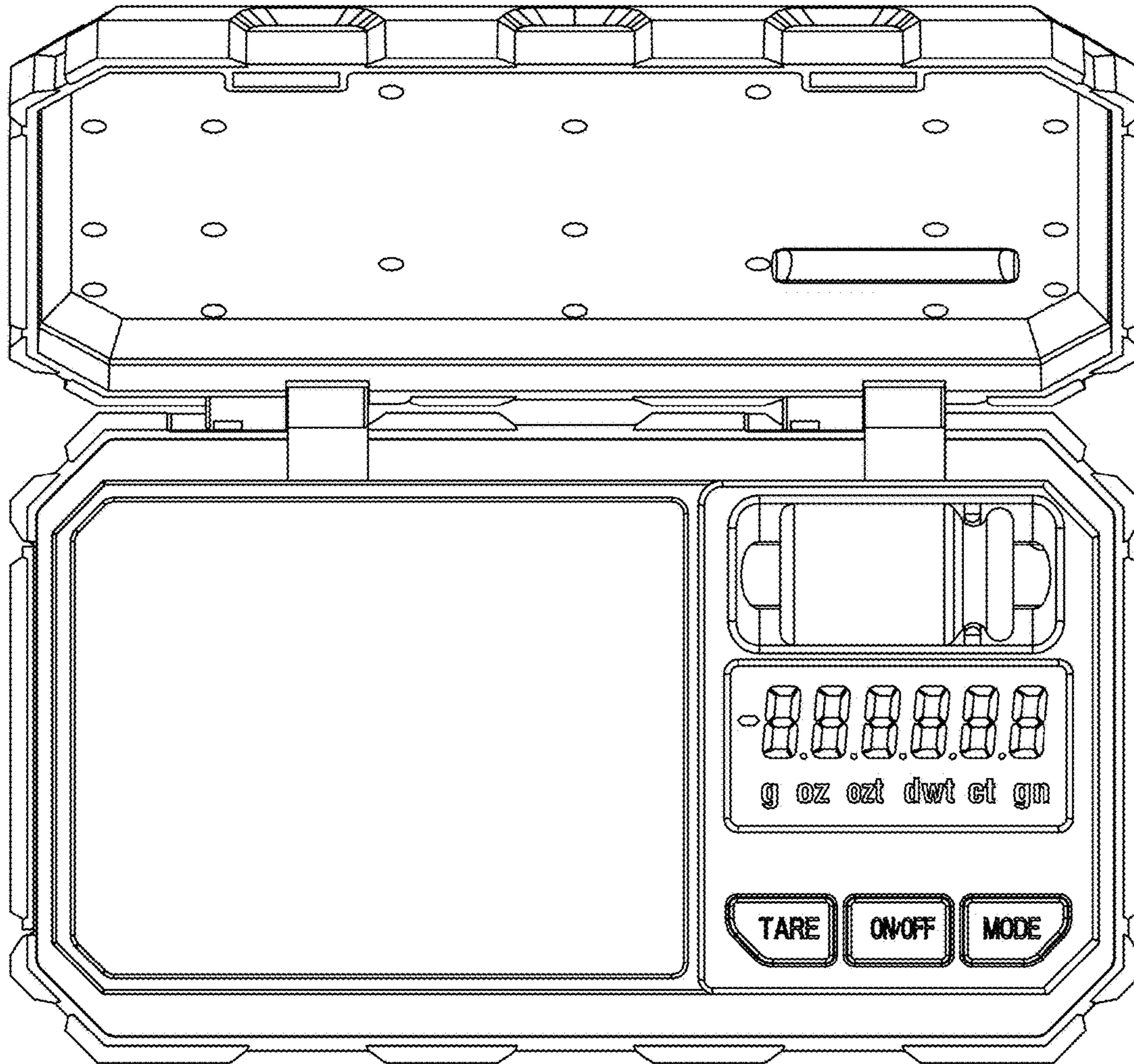


FIG. 10

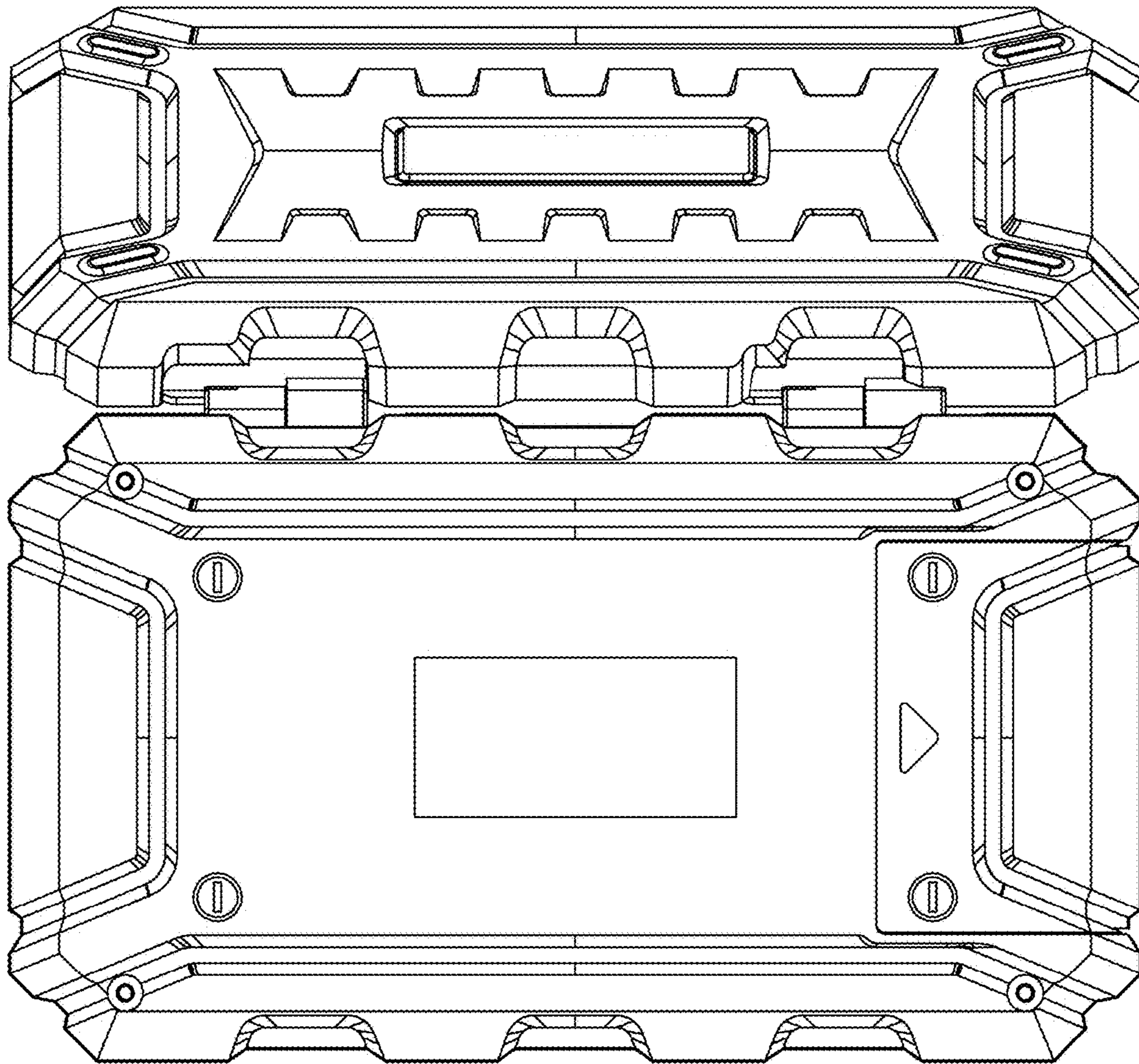


FIG. 11

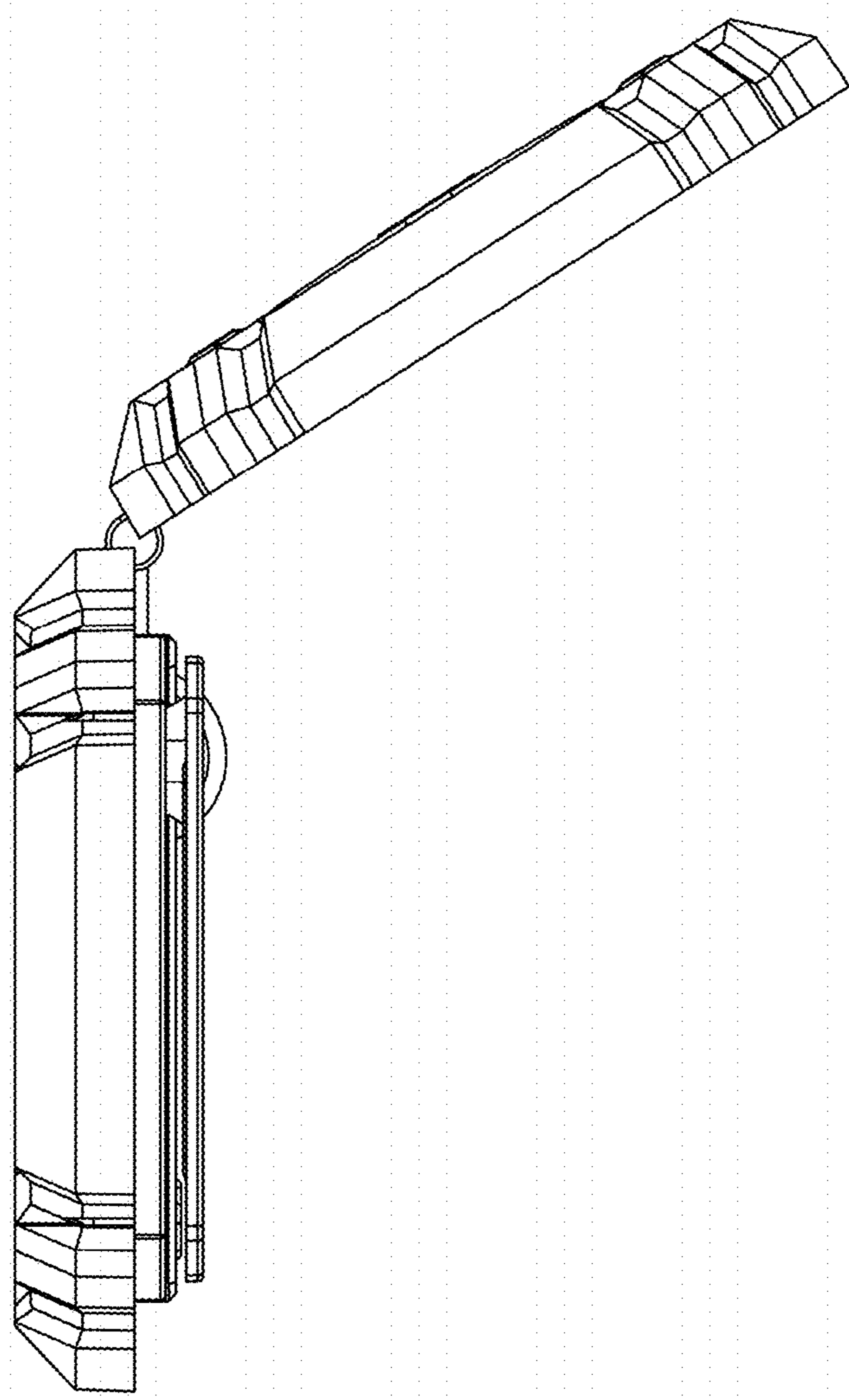


FIG. 12

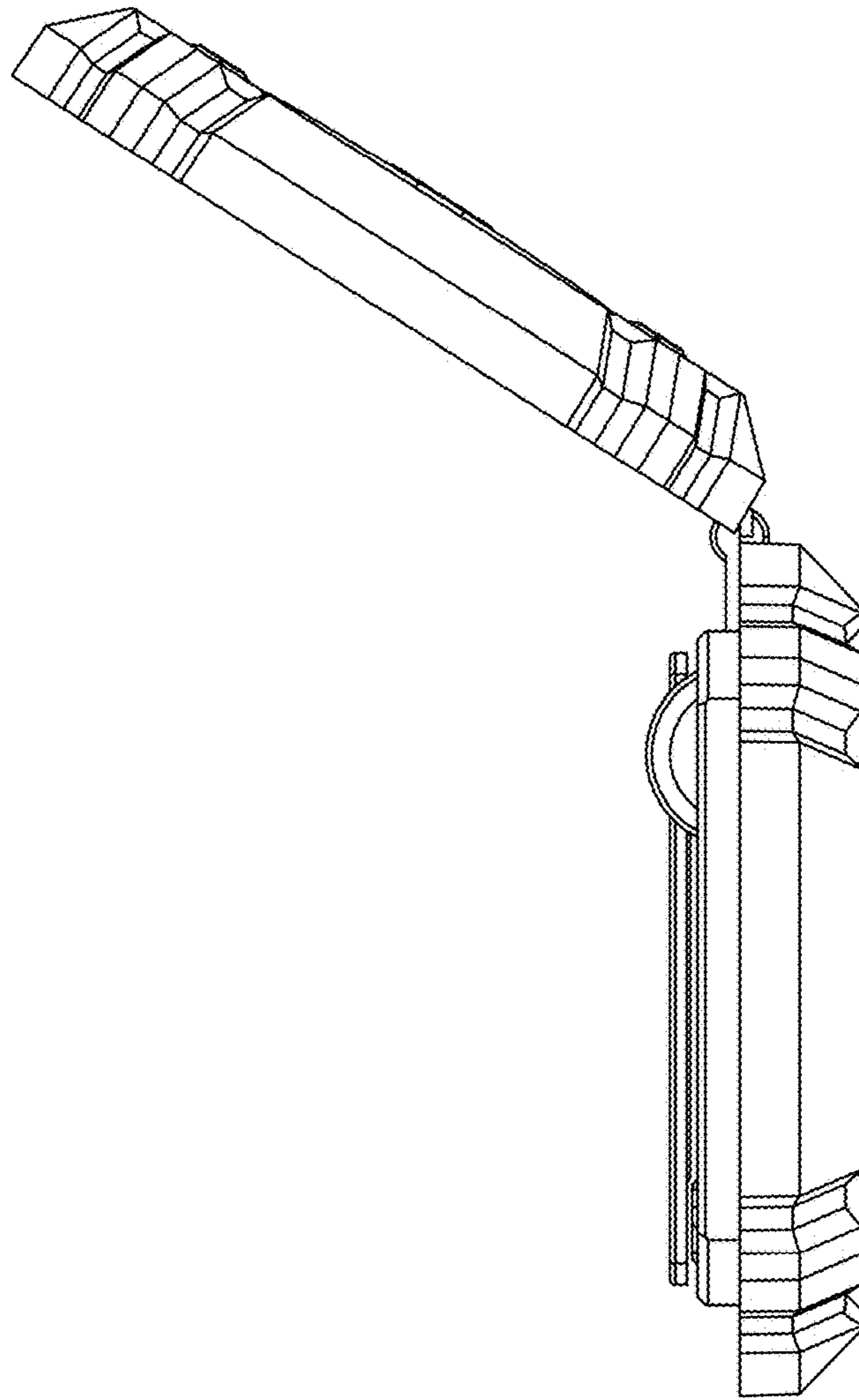


FIG. 13

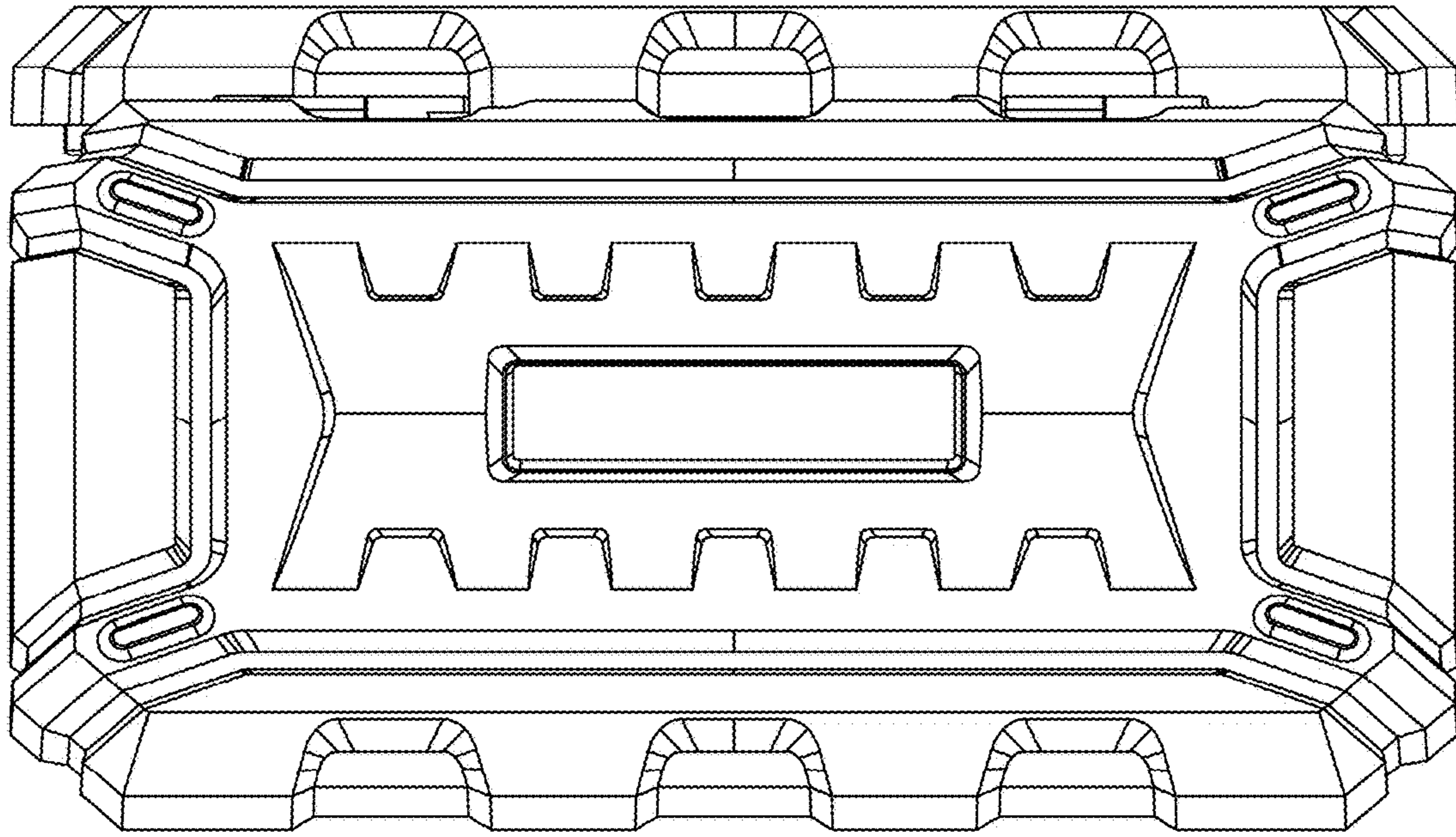


FIG. 14

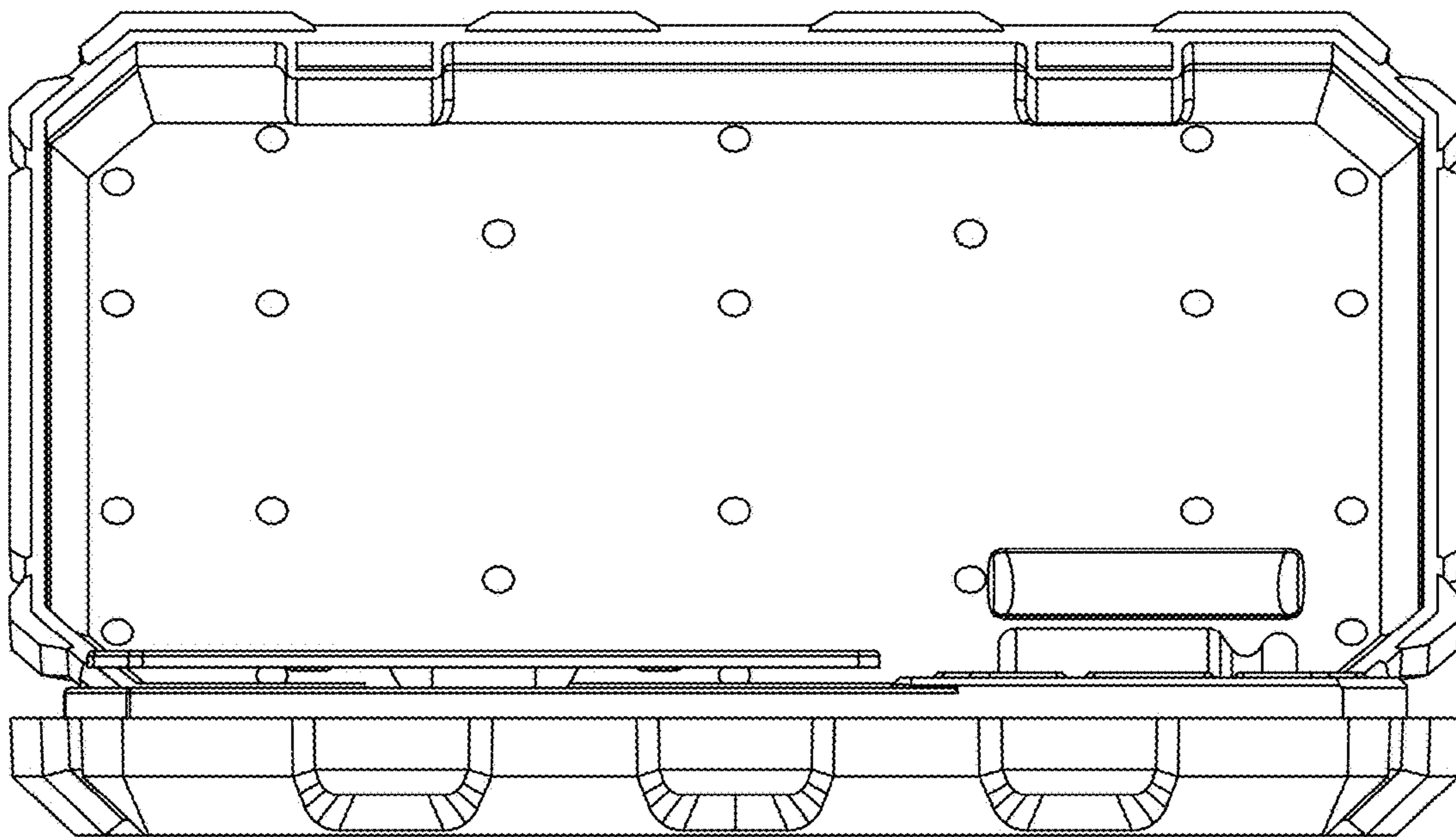


FIG. 15

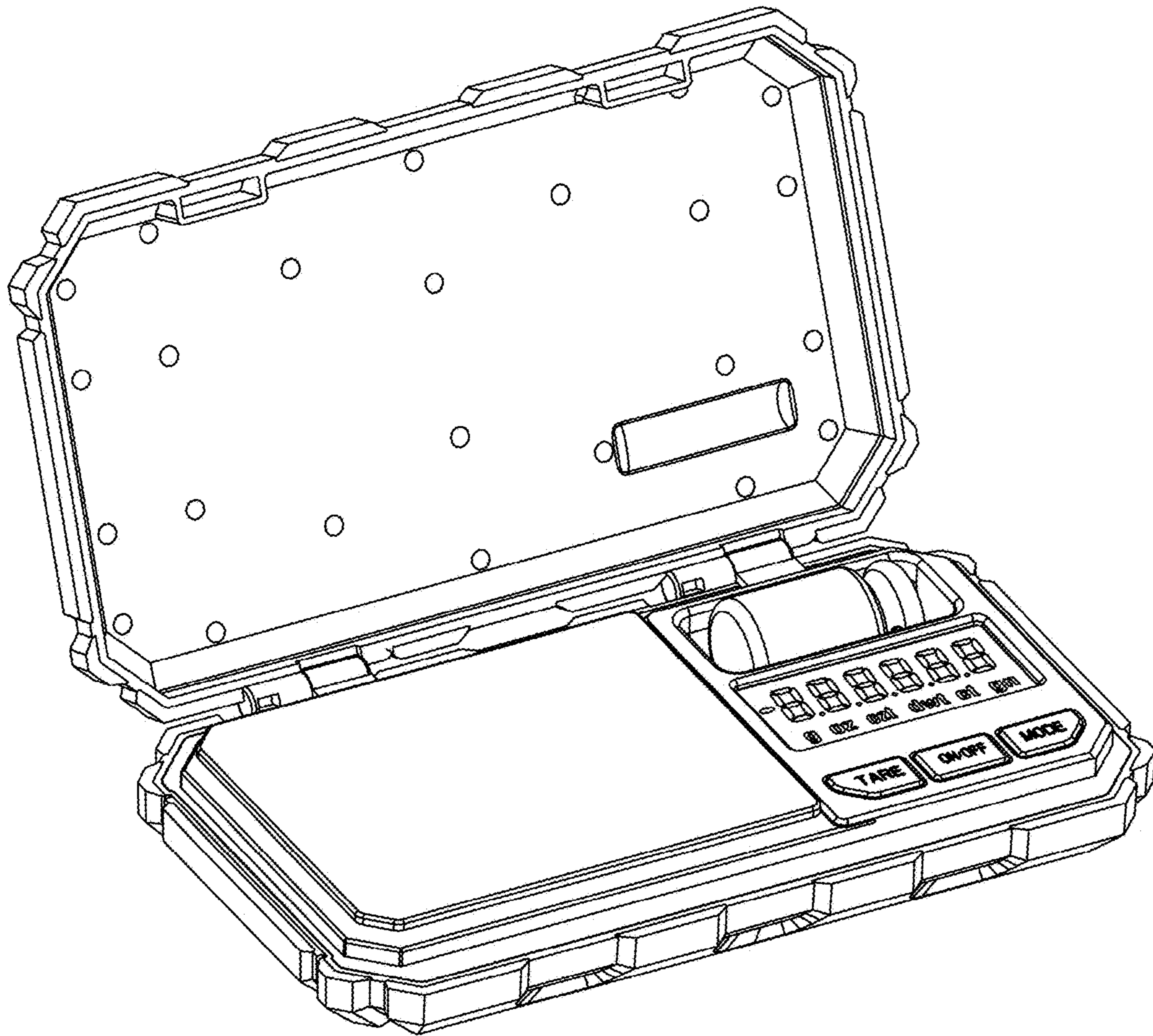


FIG. 16

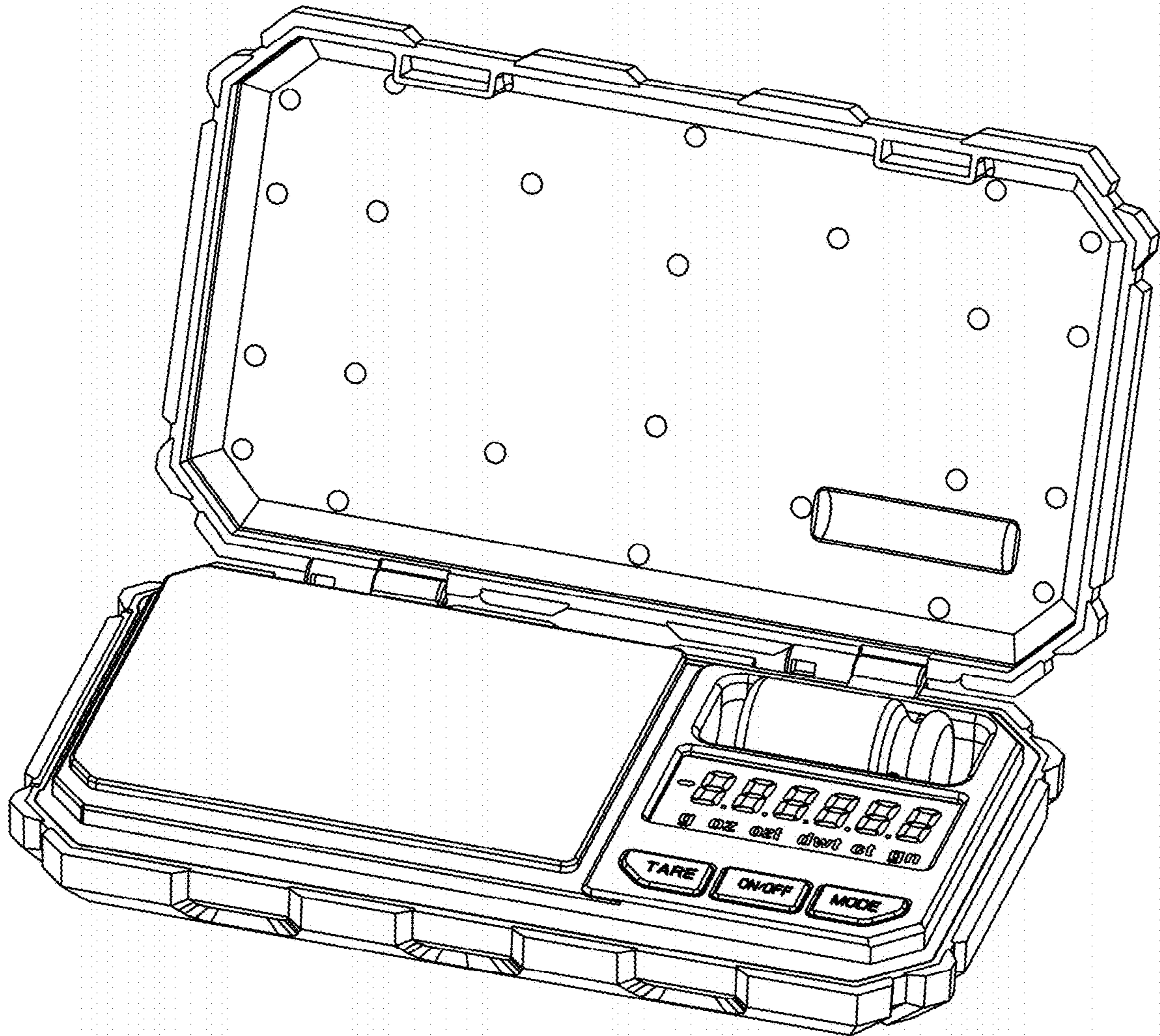


FIG. 17