



US00D851516S

(12) **United States Design Patent**
Garman et al.

(10) **Patent No.:** **US D851,516 S**
(45) **Date of Patent:** **** Jun. 18, 2019**

(54) **INTERFACE TEST ADAPTER**

7,009,381 B2 * 3/2006 Jacobsen G01R 1/07378
324/755.01

(71) Applicants: **Randall C Garman**, Waynesboto, VA (US); **Darryl M Ashby**, Weyers Cave, VA (US)

* cited by examiner

(72) Inventors: **Randall C Garman**, Waynesboto, VA (US); **Darryl M Ashby**, Weyers Cave, VA (US)

Primary Examiner — Antoine Duval Davis

(74) *Attorney, Agent, or Firm* — 24IP Law Group USA, PLLC; Timothy R DeWitt

(73) Assignee: **Virginia Panel Corporation**, Waynesboro, VA (US)

(57) **CLAIM**

The ornamental design for an interface test adapter, as shown and described.

(**) Term: **15 Years**

(21) Appl. No.: **29/635,962**

DESCRIPTION

(22) Filed: **Feb. 5, 2018**

The patent or application file contains at least one drawing executed in color. Copies of this patent or patent application publication with color drawing(s) will be provided by the Office upon request and payment of the necessary fee.

(51) **LOC (11) Cl.** **10-04**

(52) **U.S. Cl.**
USPC **D10/80**

FIG. 1 is a top perspective view of an interface test adapter showing our new design;

(58) **Field of Classification Search**
USPC D10/80
CPC G01R 1/073; G01R 1/07307; G01R 1/07314; G01R 1/07321; G01R 1/07328; G01R 1/07335; G01R 1/07342; G01R 1/0735; G01R 1/07357; G01R 1/07364; G01R 1/07371; G01R 1/07378; G01R 1/07385

FIG. 2 is a front view of the interface test adapter shown in FIG. 1;

FIG. 3 is a side view of the interface test adapter shown in FIG. 1;

FIG. 4 is a top view of the interface test adapter shown in FIG. 1;

See application file for complete search history.

FIG. 5 is a bottom view of the interface test adapter shown in FIG. 1; and,

FIG. 6 is a back view of the interface test adapter shown in FIG. 1.

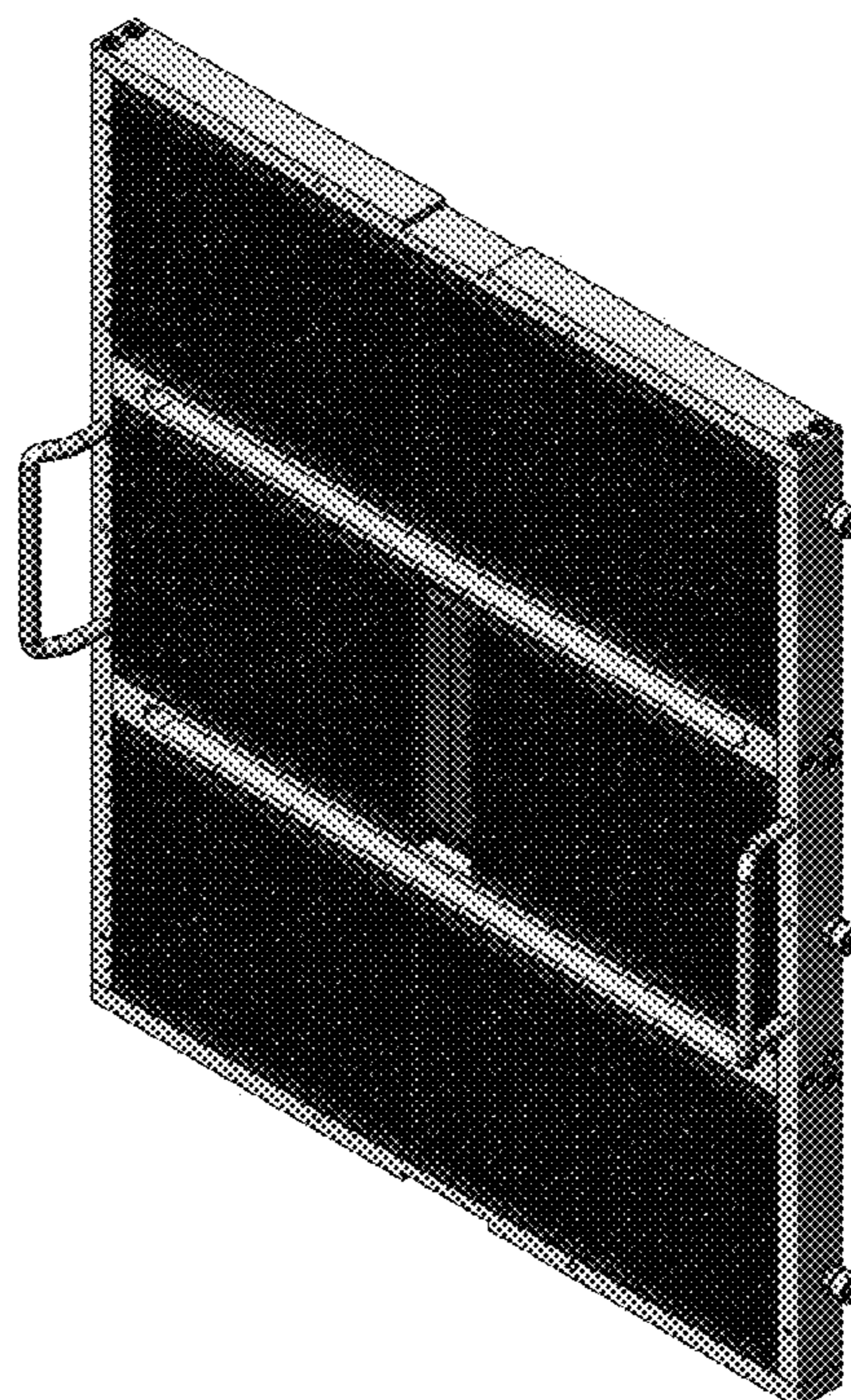
(56) **References Cited**

U.S. PATENT DOCUMENTS

1 Claim, 3 Drawing Sheets

(3 of 3 Drawing Sheet(s) Filed in Color)

D334,175 S * 3/1993 Barabi D10/80



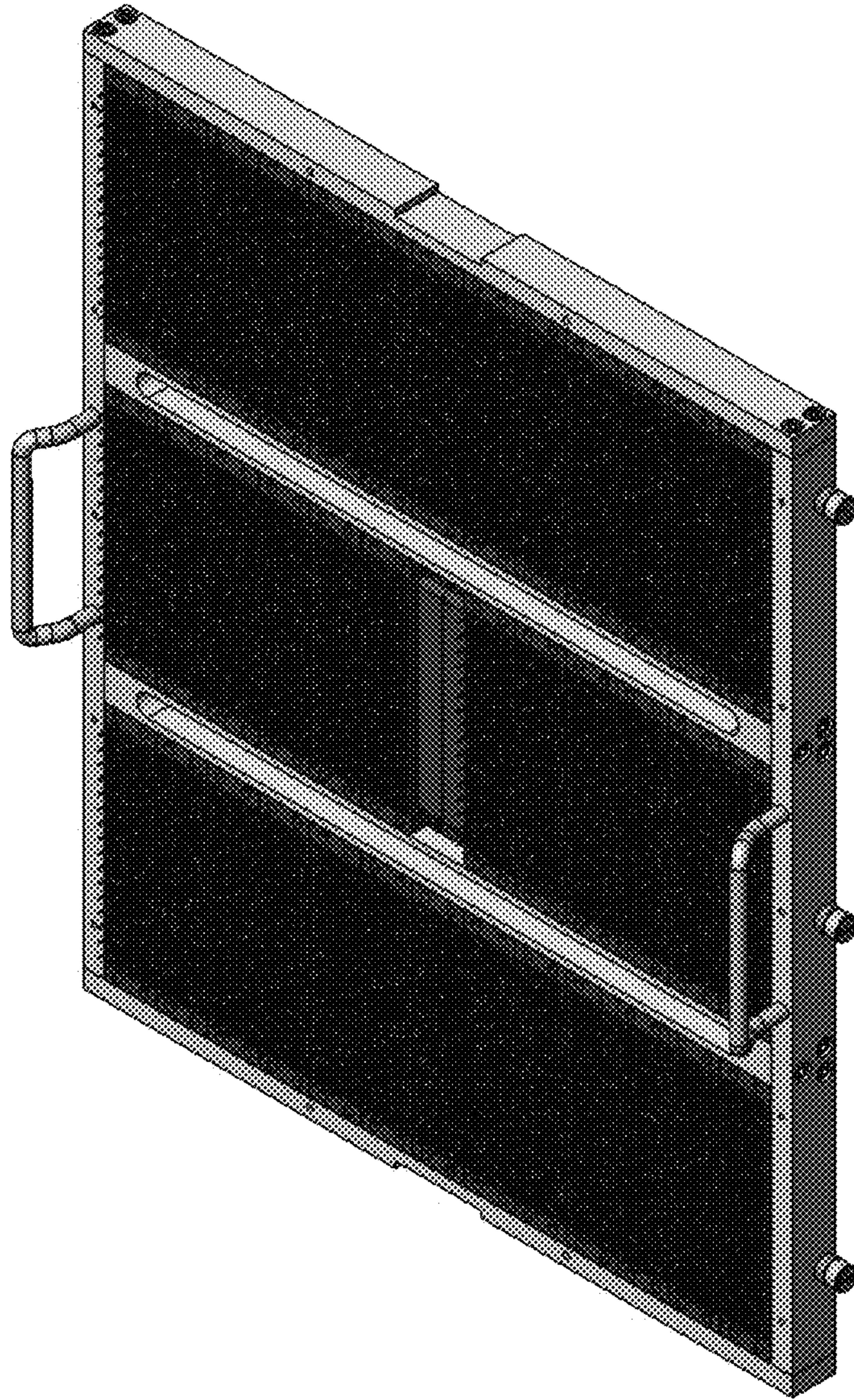


FIG. 1

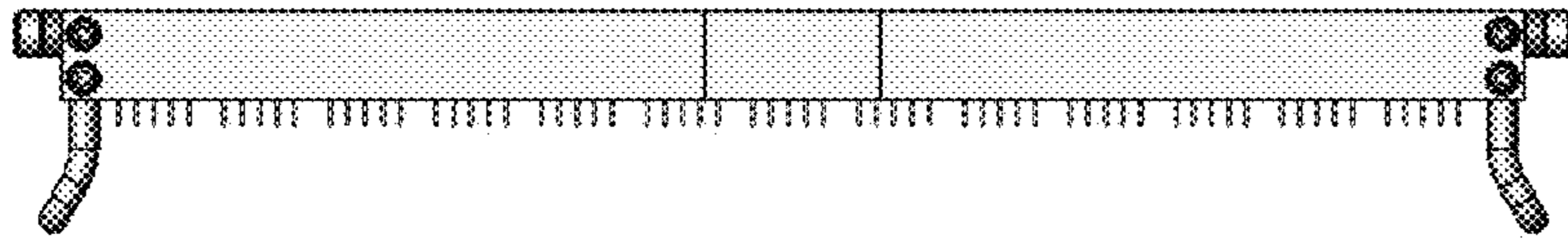


FIG. 4

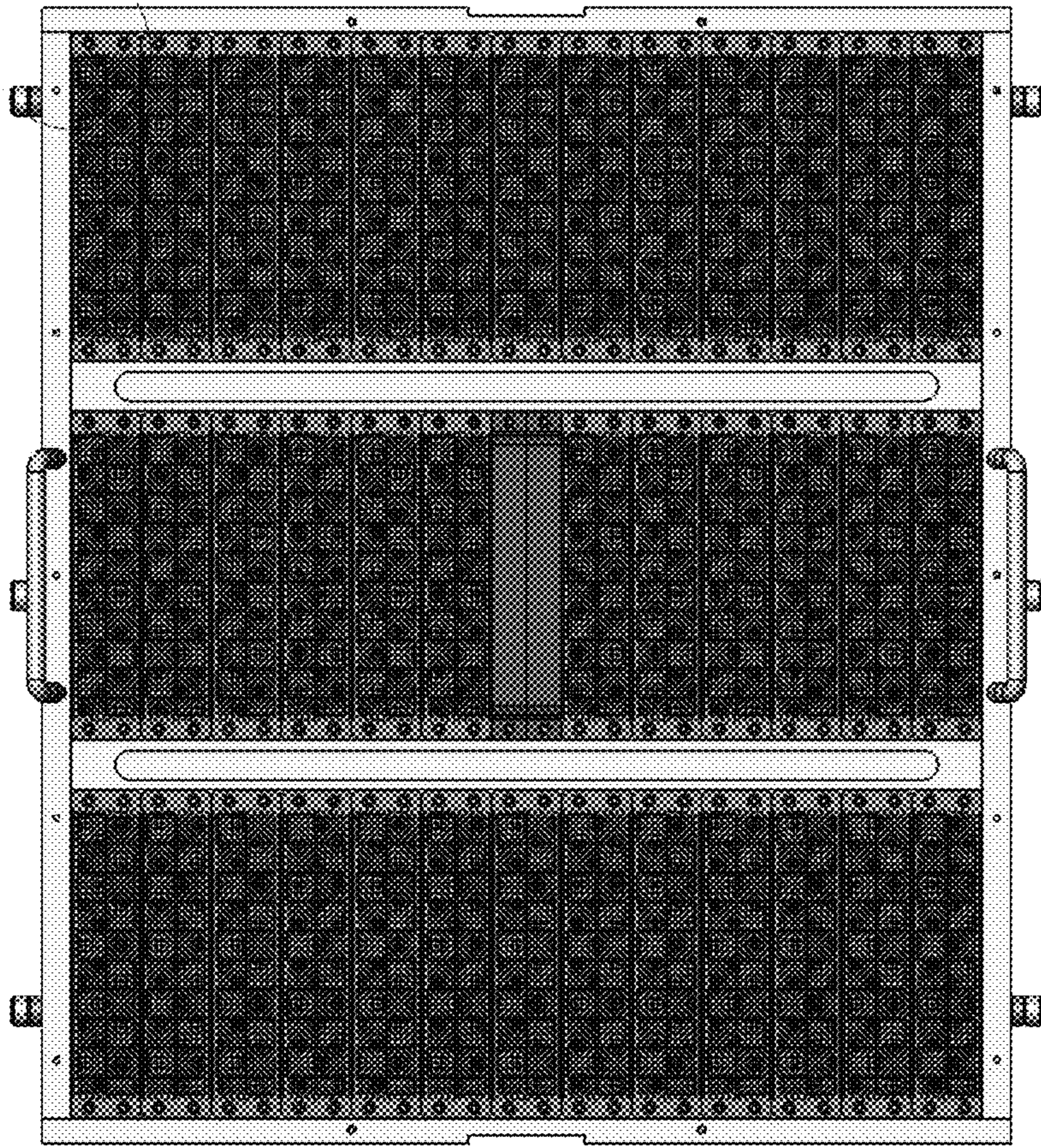


FIG. 2

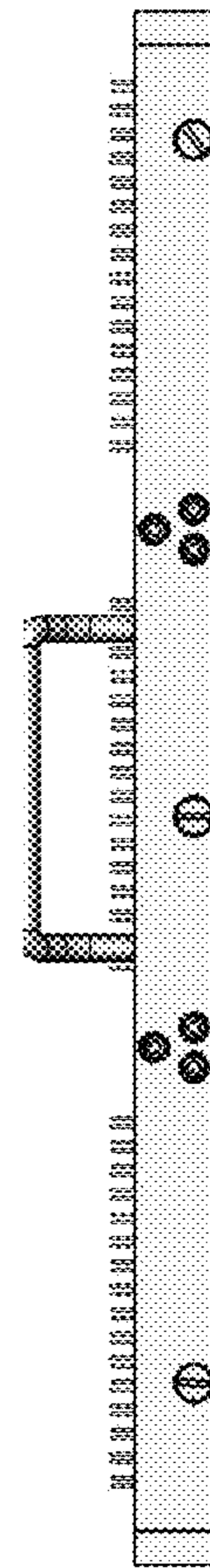


FIG. 3

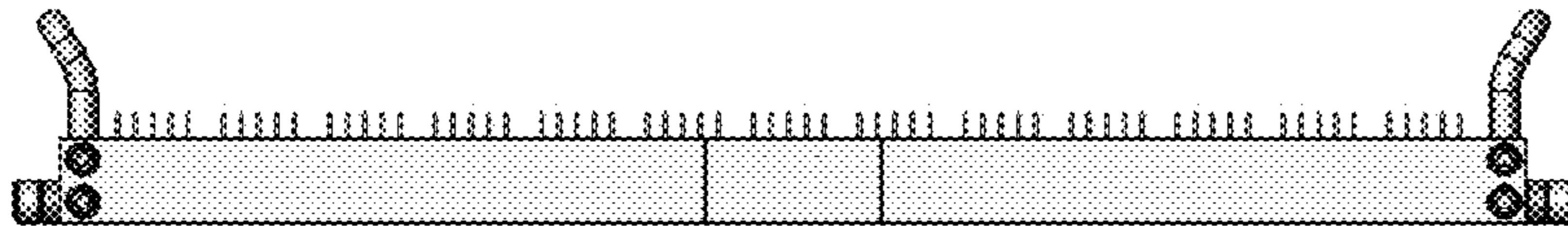


FIG. 5

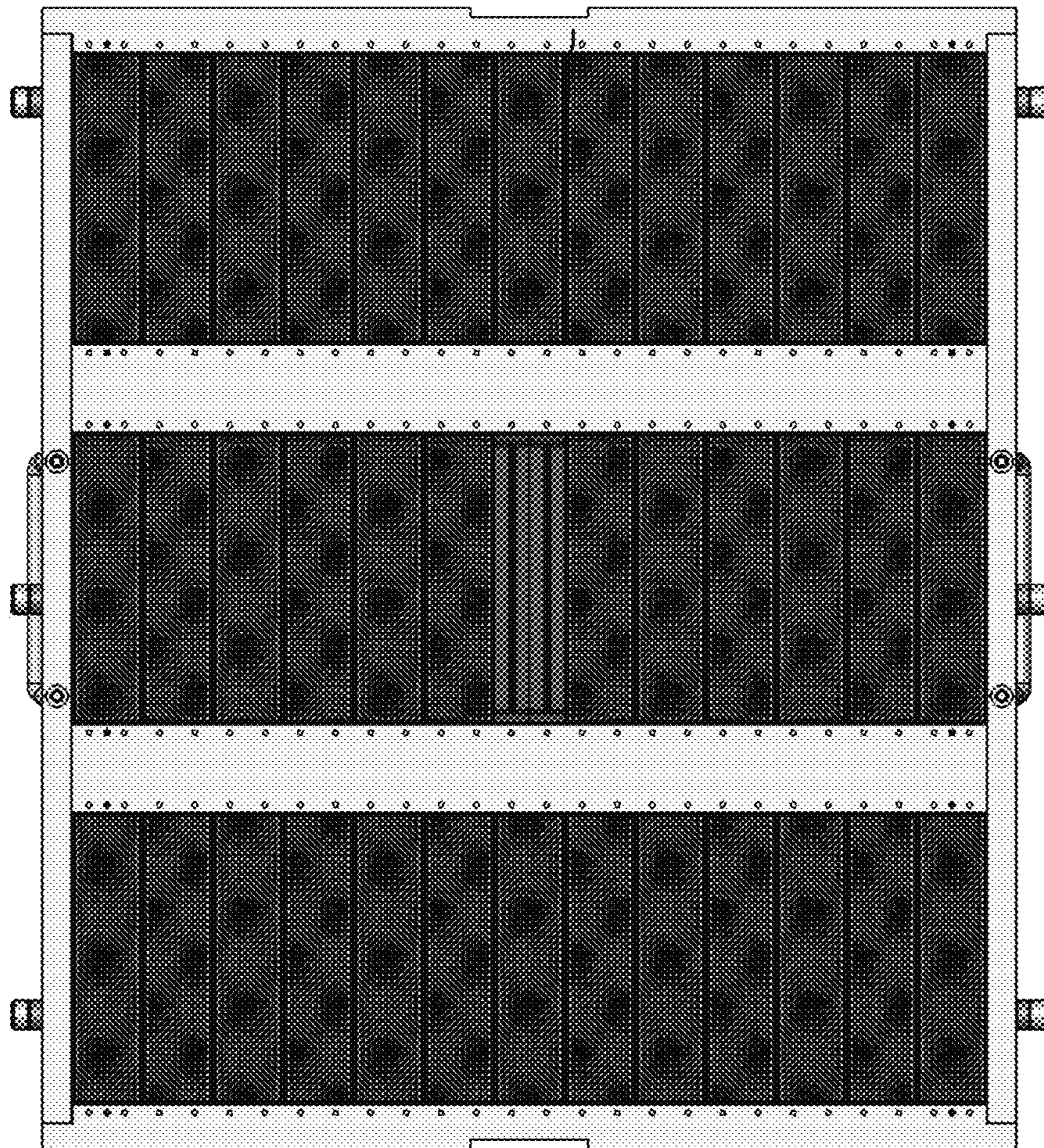


FIG. 6