



US00D851505S

(12) **United States Design Patent**
Grillotti et al.

(10) **Patent No.:** **US D851,505 S**
(45) **Date of Patent:** **** Jun. 18, 2019**

(54) **FLAME MONITORING AND IGNITION
DEVICE**

(71) Applicant: **John Zink Company, LLC**, Tulsa, OK
(US)

(72) Inventors: **Dominique Grillotti**, Guénange (FR);
Gilles Theis, Dudelange (LU); **Clement
Bresillion**, Metz (FR)

(73) Assignee: **John Zink Company, LLC**, Tulsa, OK
(US)

(**) Term: **15 Years**

(21) Appl. No.: **29/637,123**

(22) Filed: **Feb. 14, 2018**

(30) **Foreign Application Priority Data**

Aug. 18, 2017 (EM) 004154151

(51) **LOC (11) Cl.** **10-04**

(52) **U.S. Cl.**
USPC **D10/46**

(58) **Field of Classification Search**

USPC D10/46
CPC . F23M 11/04; F23N 5/12; F23N 5/123; F23N
5/126; F23N 2037/00; F23N 2025/00;
F23N 2025/02; F23N 2025/04; F23N
2025/06; F23N 2025/08; F23N 2025/10;
F23N 2025/12; F23N 2025/13; F23N
2025/14; F23N 2025/16; F23N 2025/18;
F23N 2025/19; F23N 2025/20; F23N
2025/21; F23N 2025/22; F23N 2025/24;
F23N 2025/26; F23N 2025/30; F23N
2029/00; F23N 2029/02; F23N 2029/04;
F23N 2029/06; F23N 2029/08; F23N
2029/10; F23N 2029/12; F23N 2029/14;
F23N 2029/16; F23N 2029/18; F23N
2029/20; F23N 2029/22

See application file for complete search history.

(56) **References Cited**

U.S. PATENT DOCUMENTS

4,245,977 A 1/1981 Morese
4,525,138 A * 6/1985 Snyder F23M 11/045
239/419

FOREIGN PATENT DOCUMENTS

DE 202004006644 U1 8/2004
GB 879482 A 10/1961

OTHER PUBLICATIONS

Erwin Platvoet, Charles Baukal, P.E., Process Burners 101, Aug.
2013, 5 pages.
John Zink Company LLC, LPMW Radiant Wall Burner Brochure,
2016, 2 pages.

* cited by examiner

Primary Examiner — Antoine Duval Davis

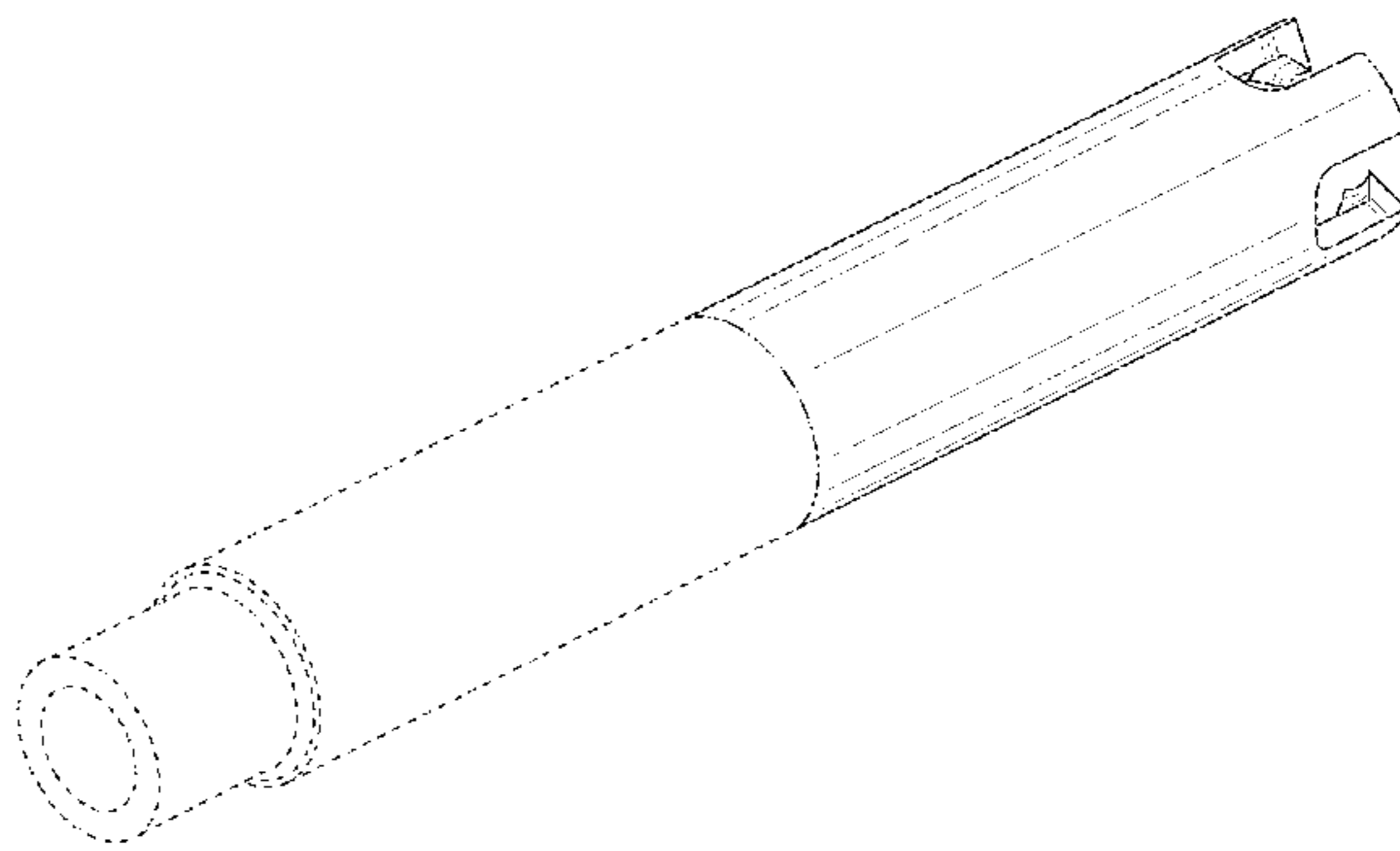
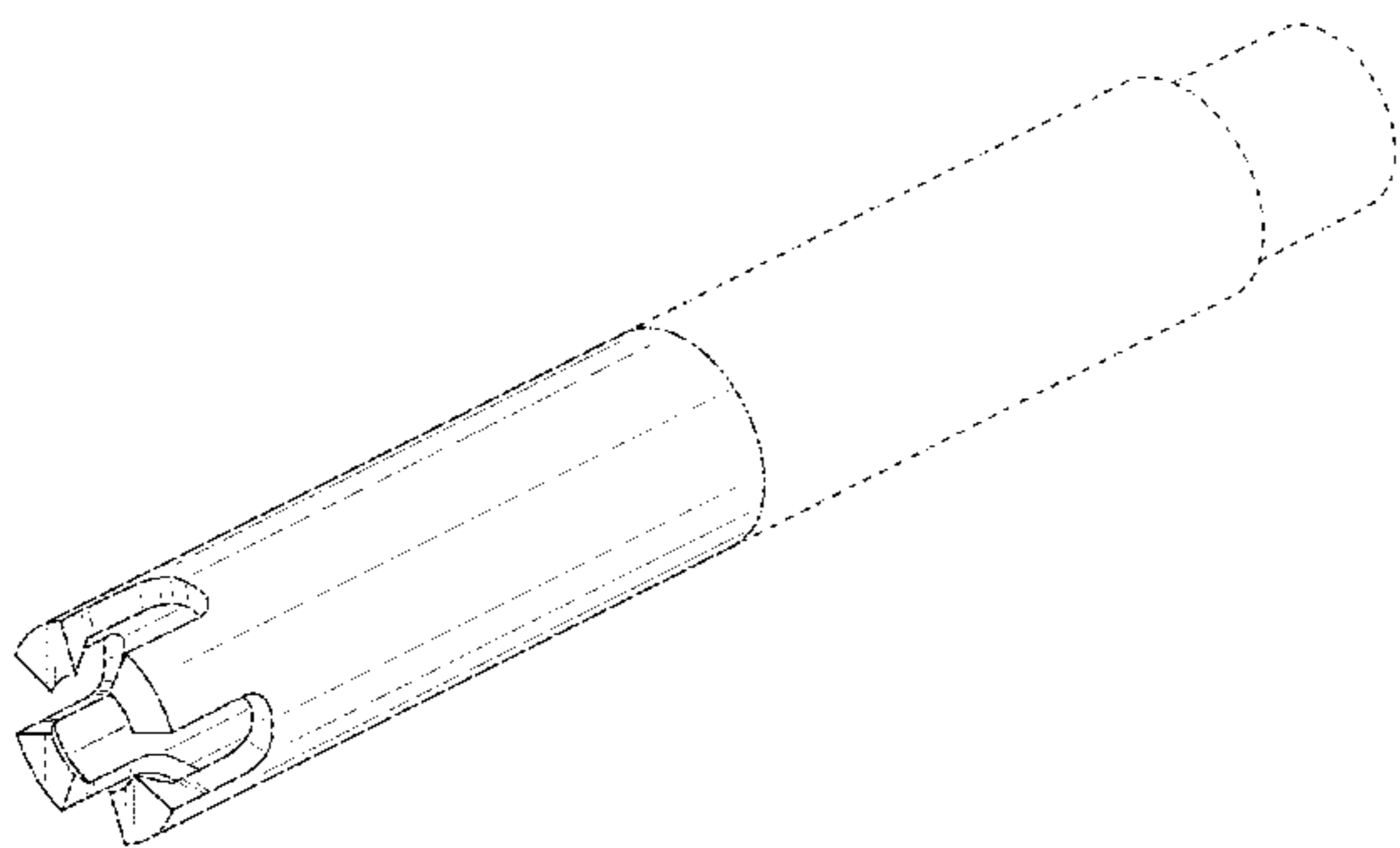
(57) **CLAIM**

The ornamental design for a flame monitoring and ignition
device, as shown and described.

DESCRIPTION

FIG. 1 is a front, left, top perspective view of a flame
monitoring and ignition device showing the new design;
FIG. 2 is a rear, right, bottom perspective view thereof;
FIG. 3 is a front elevation view thereof;
FIG. 4 is a rear elevation view thereof;
FIG. 5 is a left side elevation view thereof;
FIG. 6 is a right side elevation view thereof;
FIG. 7 is a top plan view thereof; and,
FIG. 8 is a bottom plan view thereof.
The broken lines of uneven length illustrate the boundary of
the claimed design, and form no part thereof. The broken
lines of even length illustrate portions of the flame moni-
toring and ignition device that form no part of the claimed
design.

1 Claim, 8 Drawing Sheets



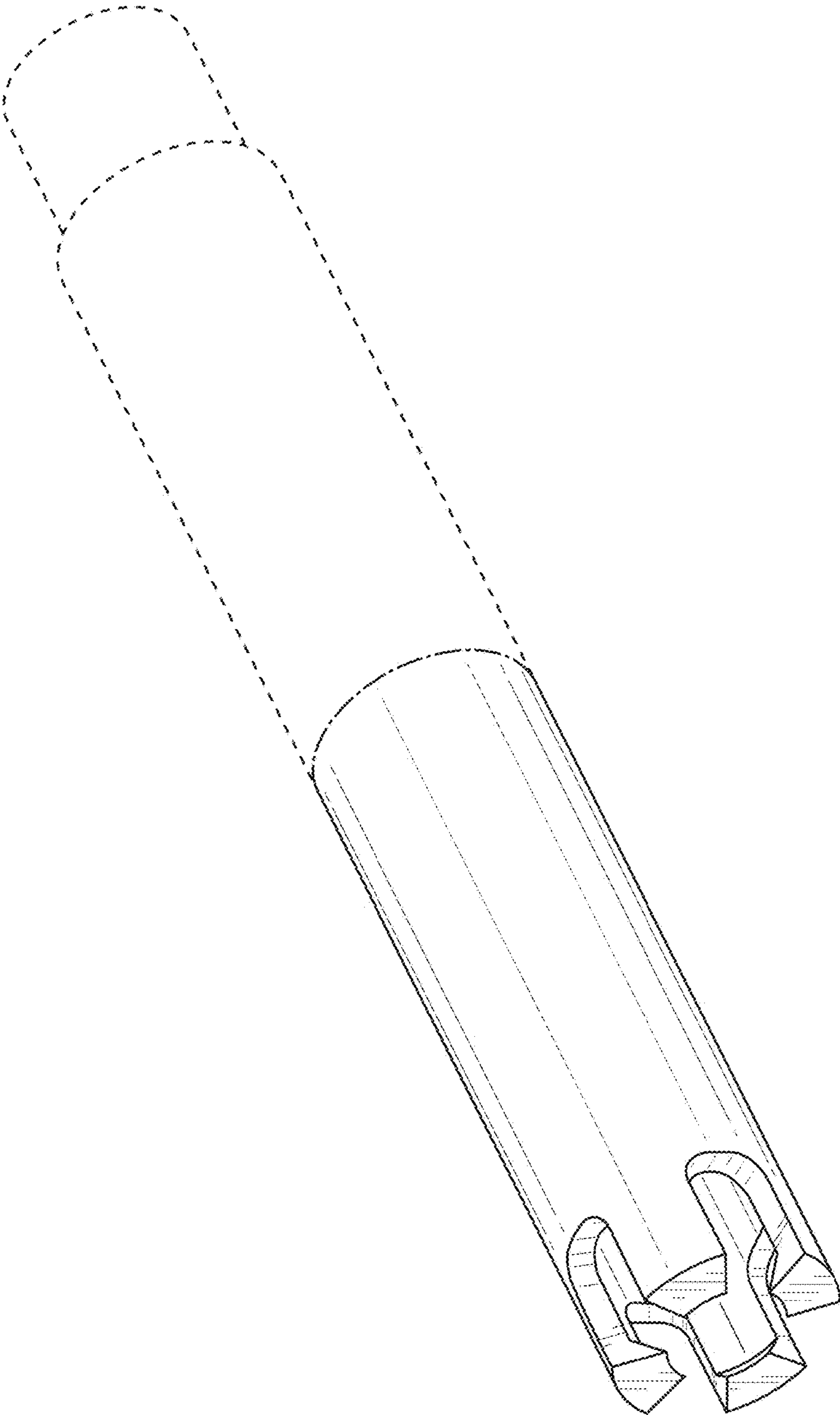


FIG. 1

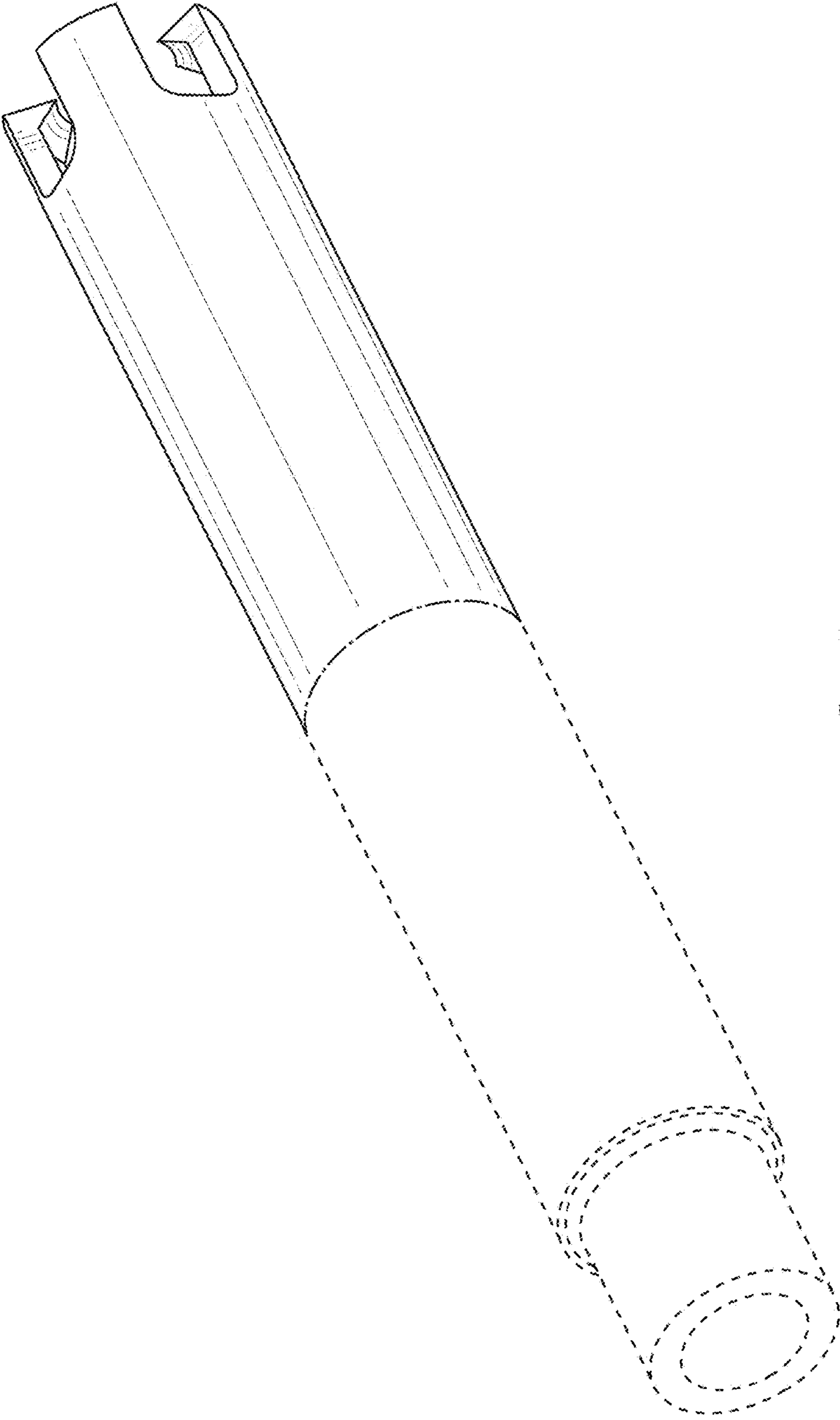


FIG. 2

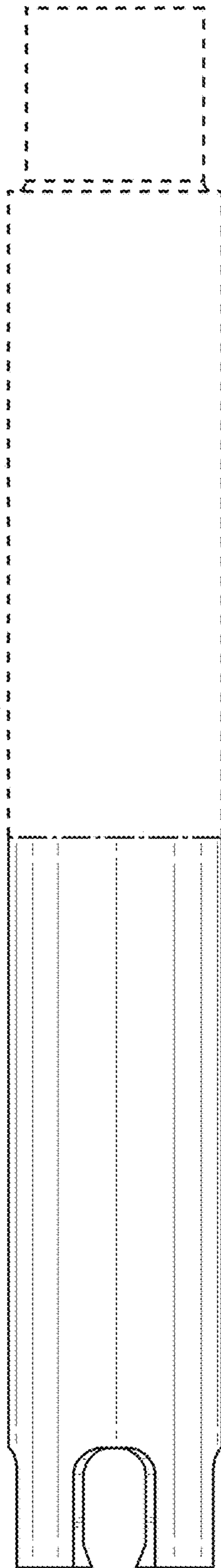


FIG. 3

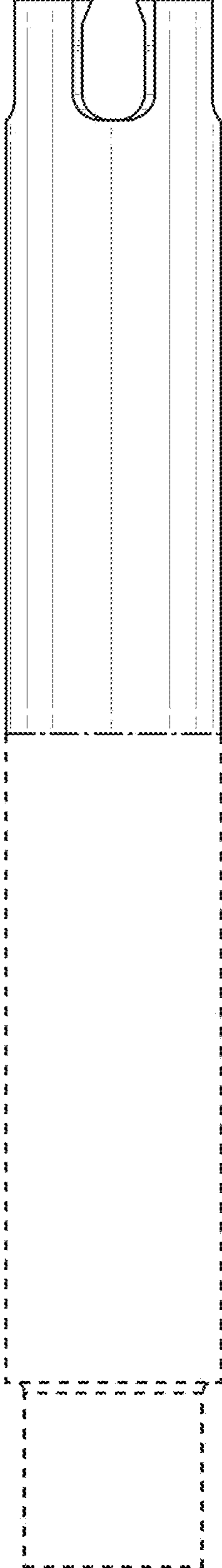


FIG. 4

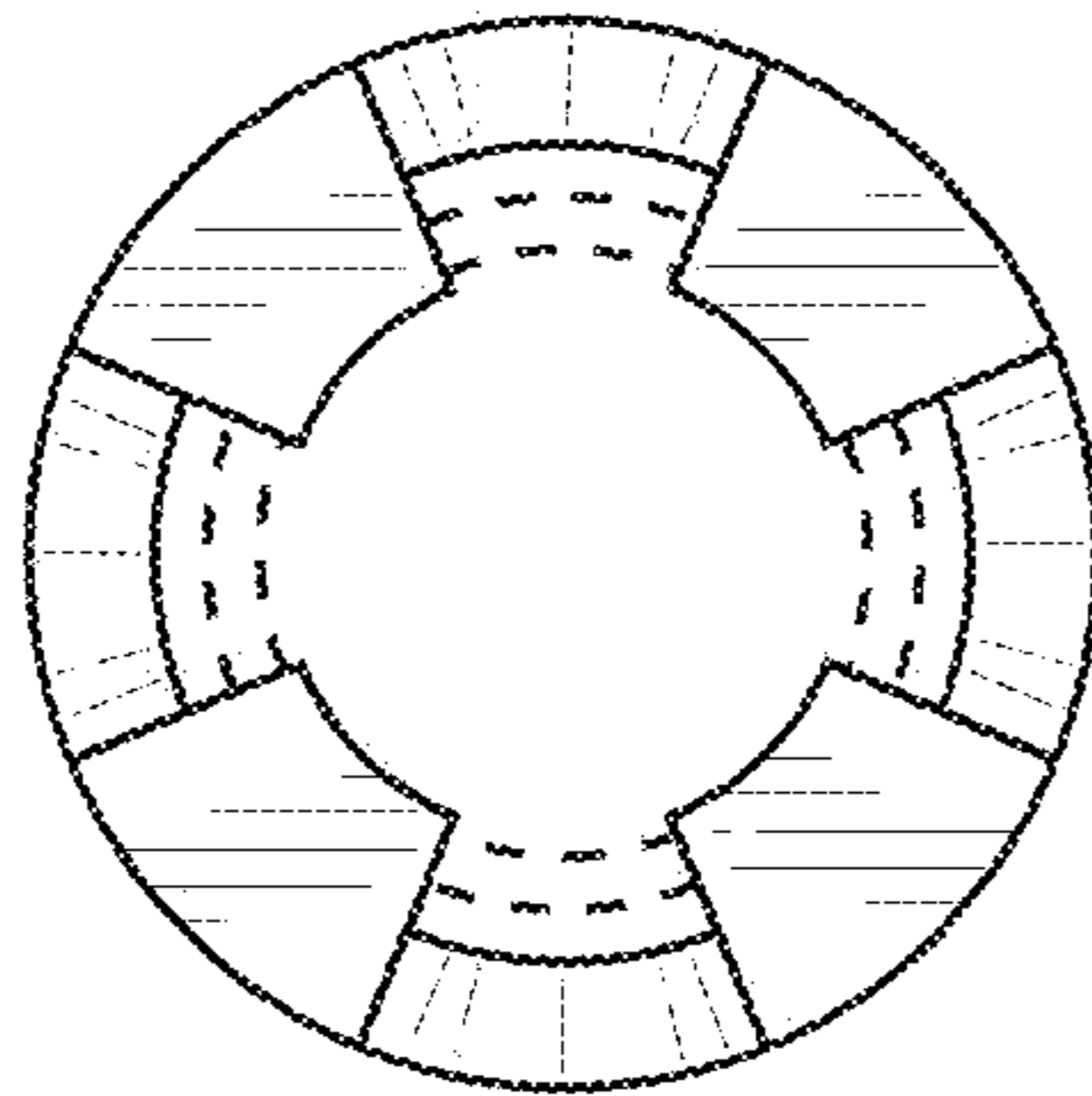


FIG. 5

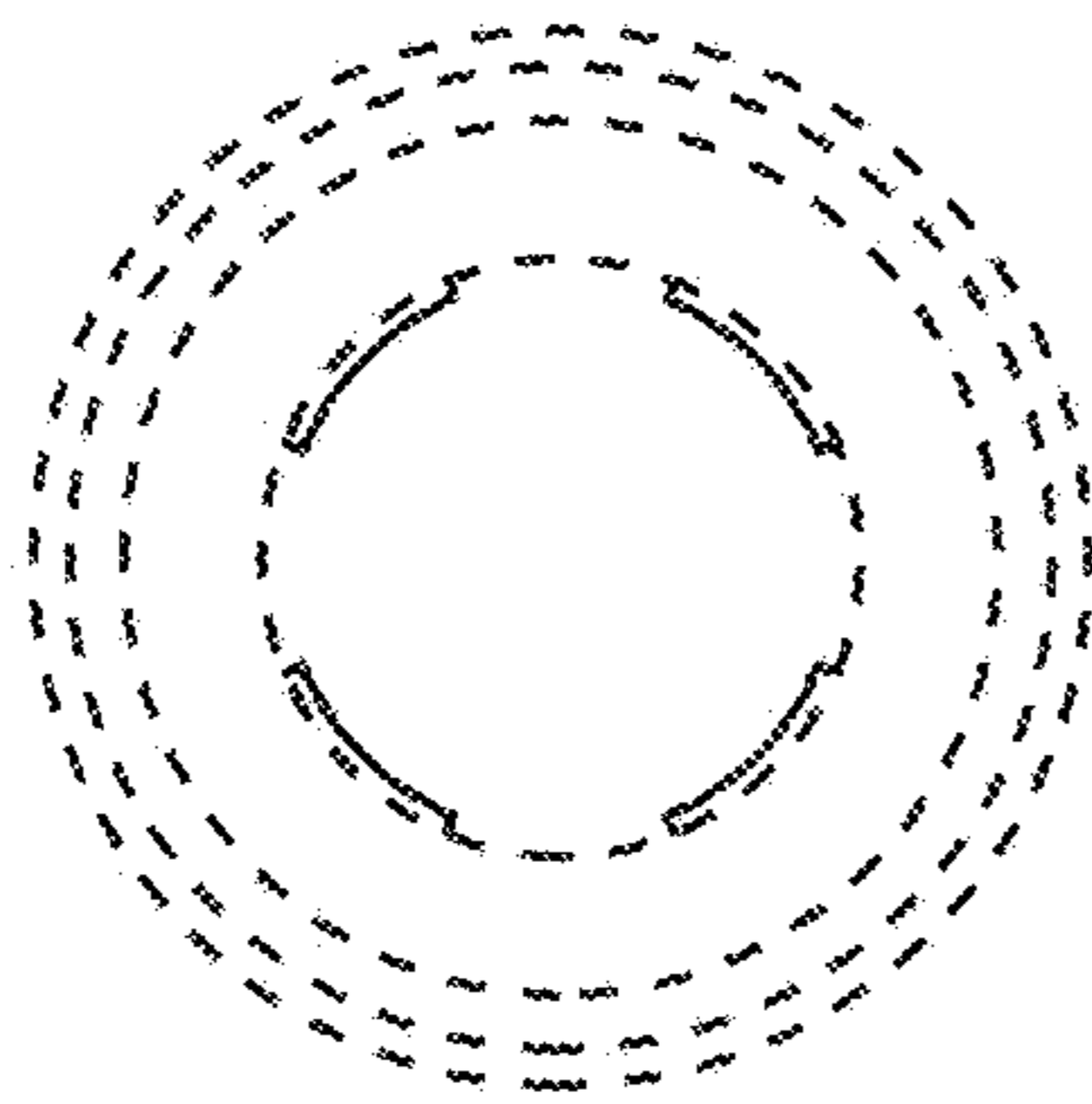


FIG. 6

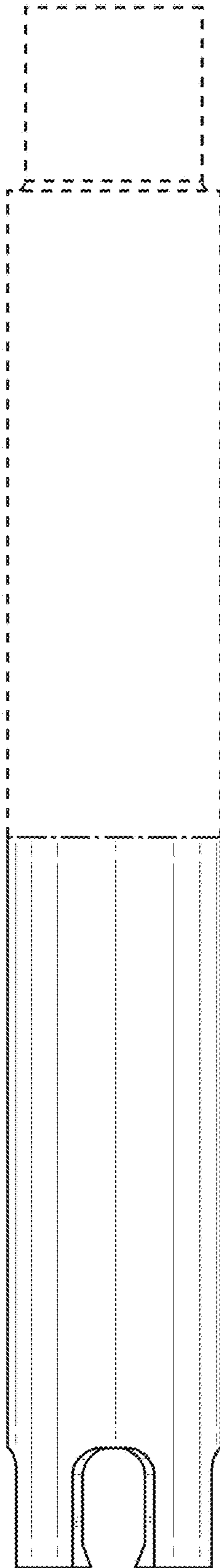


FIG. 7

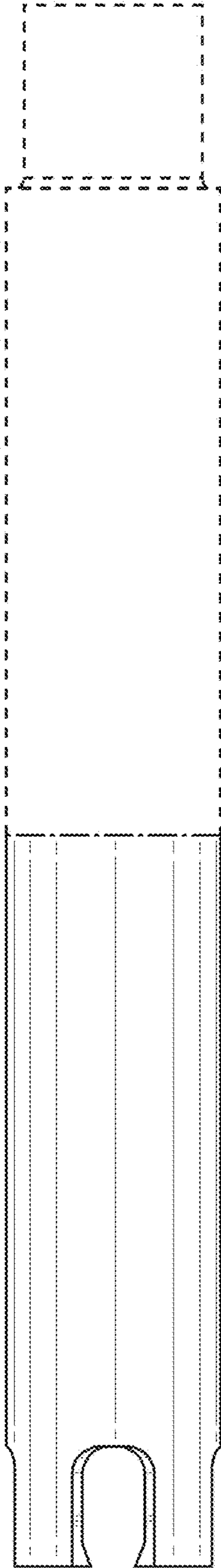


FIG. 8