



US00D851503S

(12) **United States Design Patent**  
**Dominguez**

(10) **Patent No.:** **US D851,503 S**  
(45) **Date of Patent:** **\*\* Jun. 18, 2019**

(54) **WATCHCASE**

(71) Applicant: **HARRY WINSTON SA,**  
Plan-les-Ouates (CH)  
(72) Inventor: **Emmanuelle Dominguez,** Viry (FR)  
(73) Assignee: **Harry Winston SA,** Plan-les-Ouates  
(CH)  
(\*\*) Term: **15 Years**

D629,312 S \* 12/2010 Laucella ..... D10/39  
D631,374 S \* 1/2011 Hegi ..... D10/38  
D634,230 S \* 3/2011 Arlanda ..... D11/1  
D642,076 S \* 7/2011 Chastaingt ..... D10/39  
D656,418 S \* 3/2012 Scheufele ..... D10/39  
D718,153 S \* 11/2014 Graff ..... D10/36  
D727,178 S \* 4/2015 Abdourahim ..... D10/39  
D729,077 S \* 5/2015 Kamilindi ..... D10/39  
D731,899 S \* 6/2015 Graff ..... D10/32  
D735,058 S \* 7/2015 Graff ..... D10/30  
D743,275 S \* 11/2015 Riviere ..... D10/125  
D766,745 S \* 9/2016 Abdourahim ..... D10/30

(Continued)

(21) Appl. No.: **29/616,235**

(22) Filed: **Sep. 5, 2017**

(30) **Foreign Application Priority Data**

Mar. 3, 2017 (WO) ..... DM/095 099

(51) **LOC (11) Cl.** ..... **10-02**

(52) **U.S. Cl.**  
USPC ..... **D10/30**

(58) **Field of Classification Search**  
USPC ..... D10/1-3, 6, 14-16, 23, 30-39, 41, 65,  
D10/70, 122-132; D11/16, 40, 43, 75;  
D14/171, 344  
See application file for complete search history.

(56) **References Cited**

**U.S. PATENT DOCUMENTS**

D67,000 S \* 4/1925 Moylan ..... D10/36  
D155,506 S \* 10/1949 Gutschneider ..... D10/39  
D169,457 S \* 4/1953 Schwartz ..... D10/38  
D317,577 S \* 6/1991 Eiss ..... D10/30  
D342,682 S \* 12/1993 Kim ..... D10/30  
D377,149 S \* 1/1997 Hayashi ..... D10/30  
D454,310 S \* 3/2002 Dostourian ..... D10/30  
D476,580 S \* 7/2003 Calvani ..... D10/30  
D501,411 S \* 2/2005 Buccellati ..... D10/30  
D564,910 S \* 3/2008 Rabassa ..... D10/39  
D569,278 S \* 5/2008 Rabassa ..... D10/39

**OTHER PUBLICATIONS**

Divine Time by Harry Winston | posted at watchonista.com May 2017 © The Watches Network 2018 [online][site visited May 11, 2018]. Available from internet: <<https://harry-winston.watchonista.com/news/high-jewelry-timepieces-%E2%80%93%C2%A0divine-time-harry-winston>> (Year: 2017).\*

*Primary Examiner* — Sandra S Snapp  
*Assistant Examiner* — Katherine Glennon  
(74) *Attorney, Agent, or Firm* — Blank Rome LLP

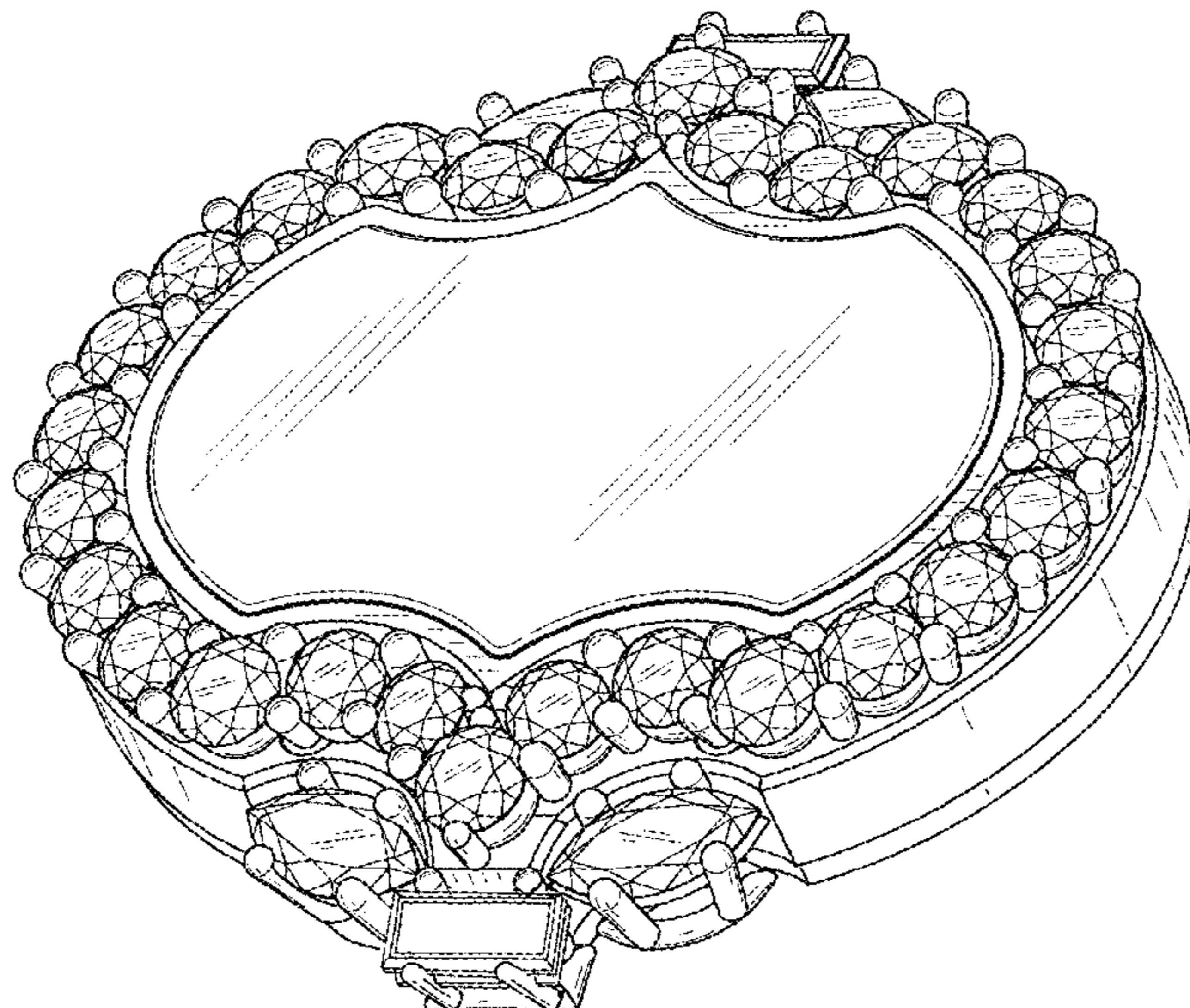
(57) **CLAIM**

The ornamental design for a watchcase, as shown.

**DESCRIPTION**

FIG. 1 is a front right perspective view of a watchcase showing my new design;  
FIG. 2 is a front view thereof;  
FIG. 3 is a rear view thereof;  
FIG. 4 is a left side view thereof;  
FIG. 5 is a right side view thereof;  
FIG. 6 is a top view thereof;  
FIG. 7 is a bottom view thereof; and,  
FIG. 8 is a rear left perspective view thereof.

**1 Claim, 6 Drawing Sheets**



(56)

**References Cited**

U.S. PATENT DOCUMENTS

D775,535 S *	1/2017	Handa .....	D10/32
D781,721 S *	3/2017	Abdourahim .....	D10/38
D800,581 S *	10/2017	Valzan .....	D10/30
D806,583 S *	1/2018	Dominguez .....	D10/30
D807,199 S *	1/2018	Dominguez .....	D10/30
D807,200 S *	1/2018	Dominguez .....	D10/30
D811,921 S *	3/2018	Rabassa .....	D10/132

\* cited by examiner



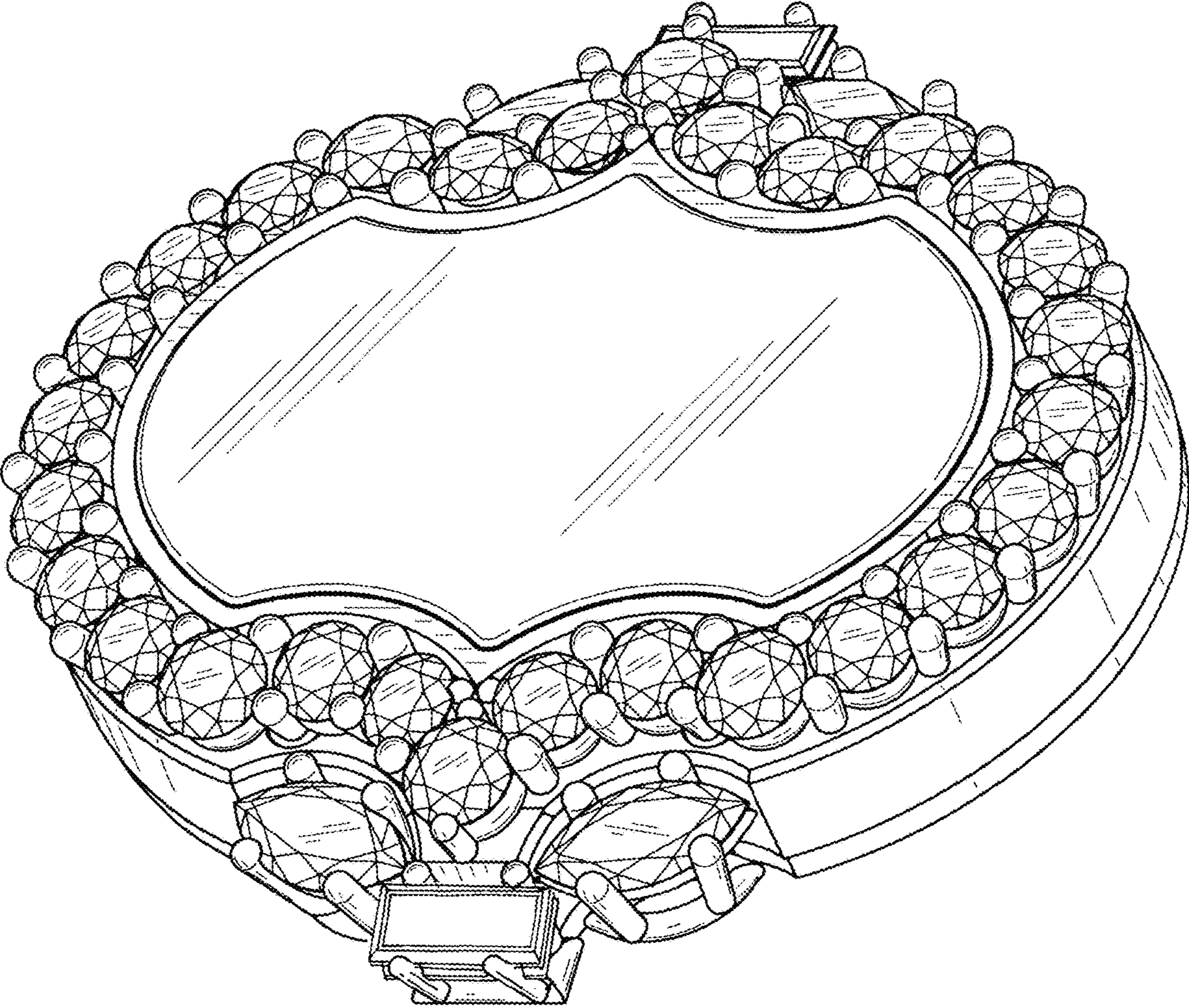


FIG. 1

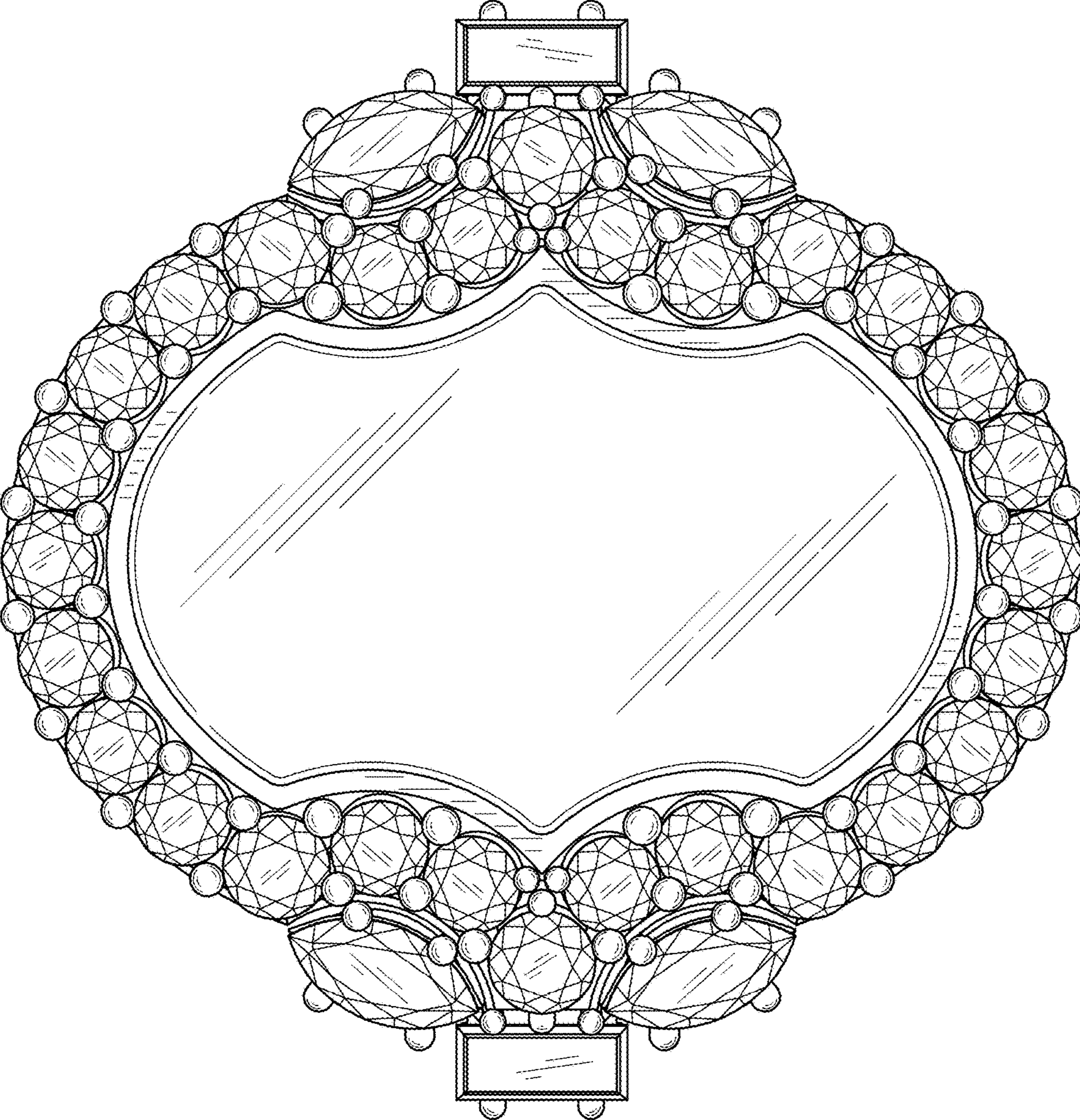


FIG. 2



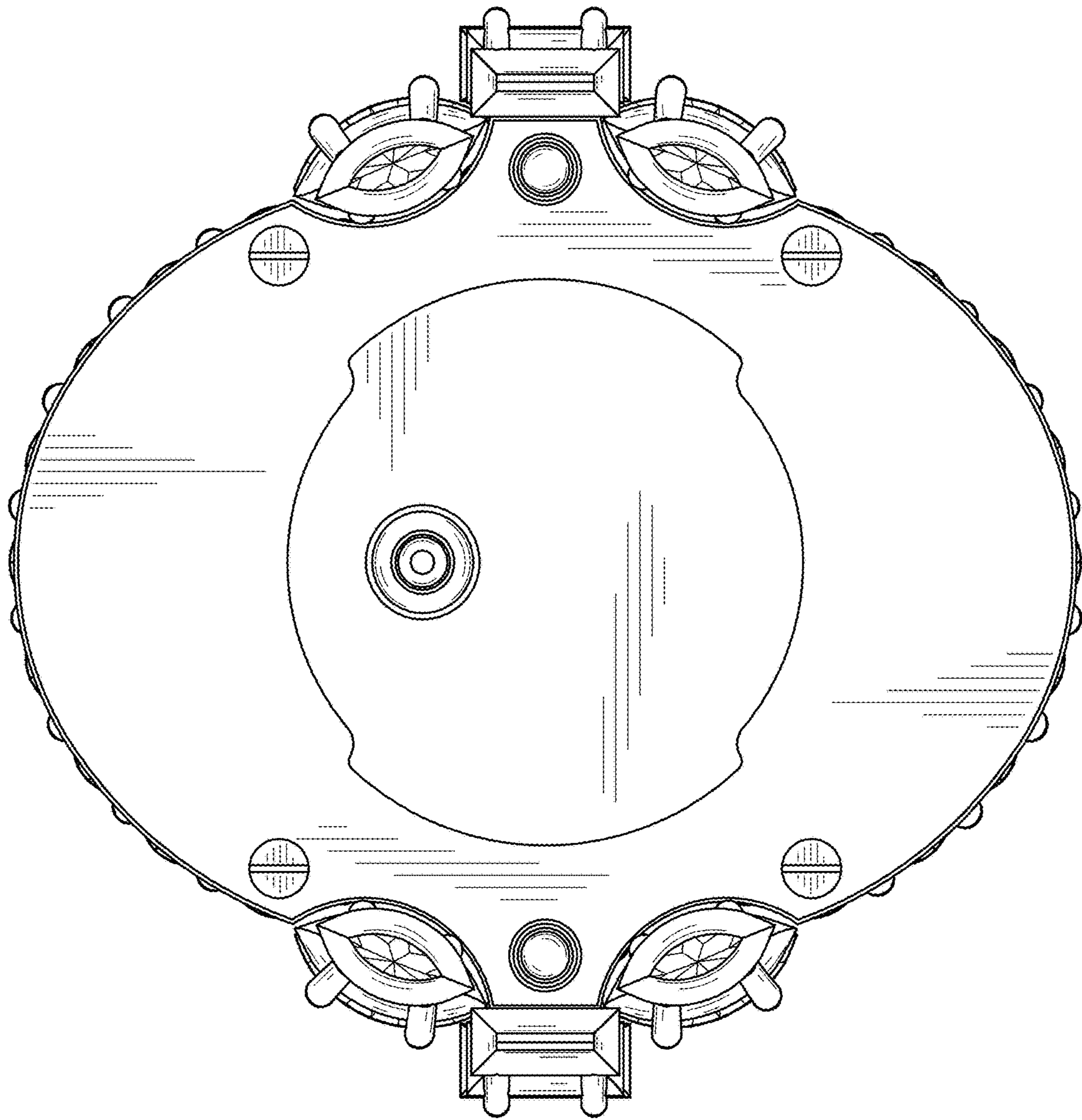


FIG. 3

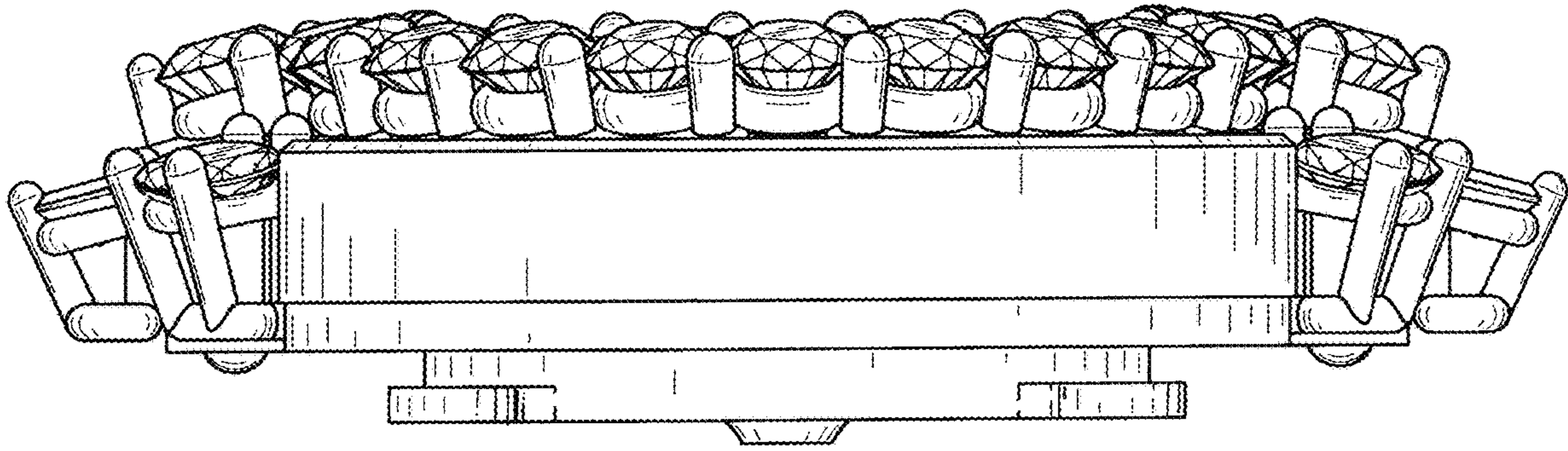


FIG. 4

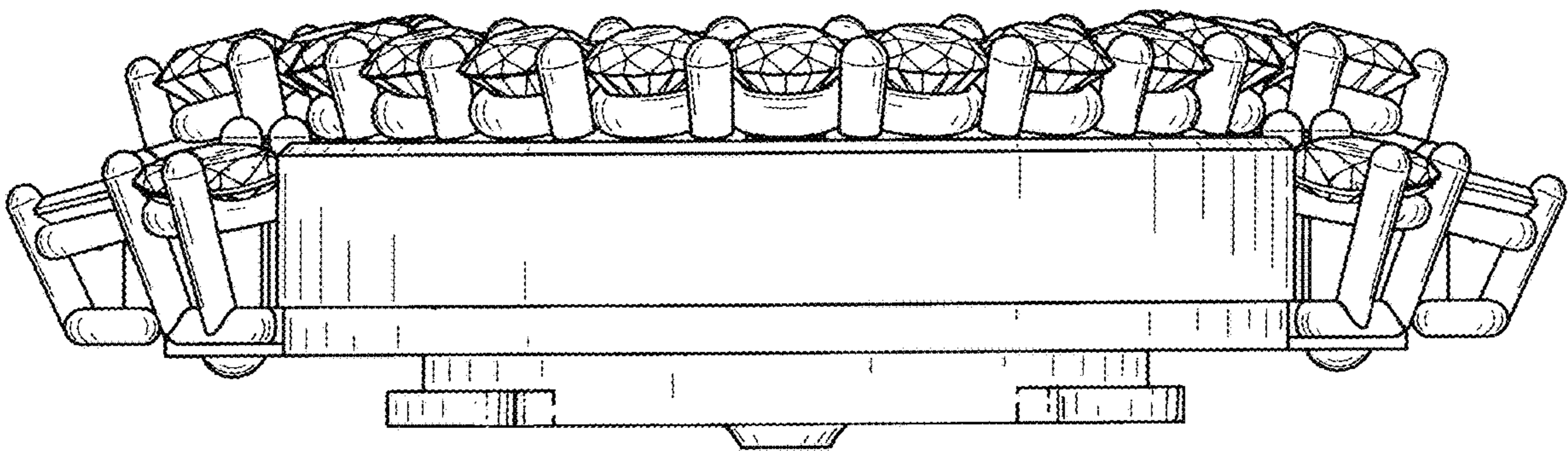


FIG. 5

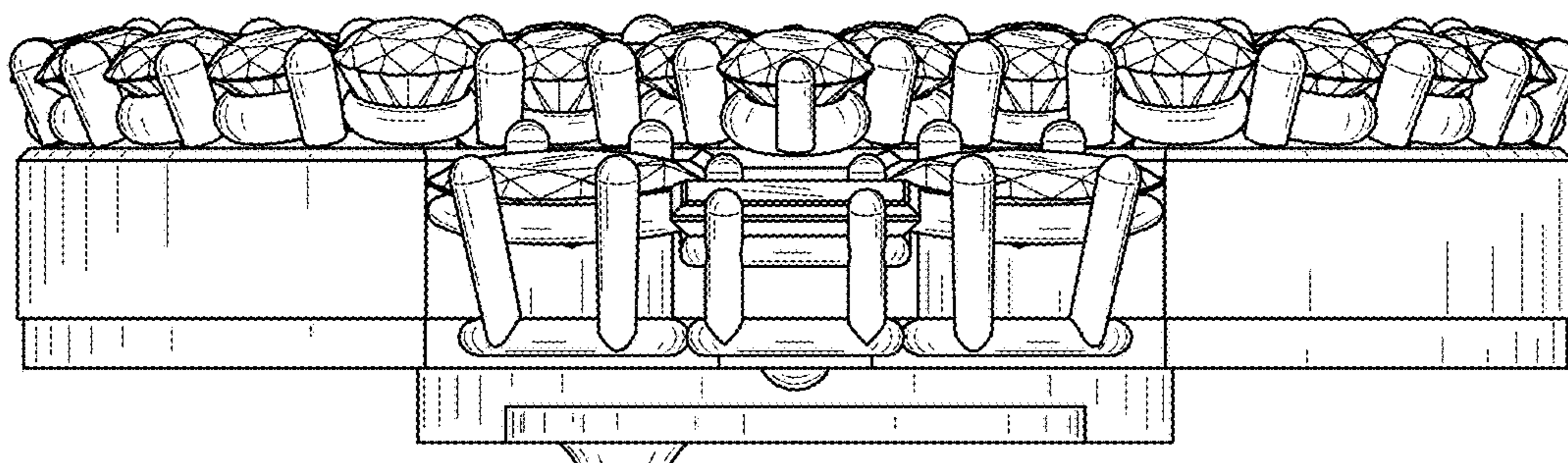


FIG. 6

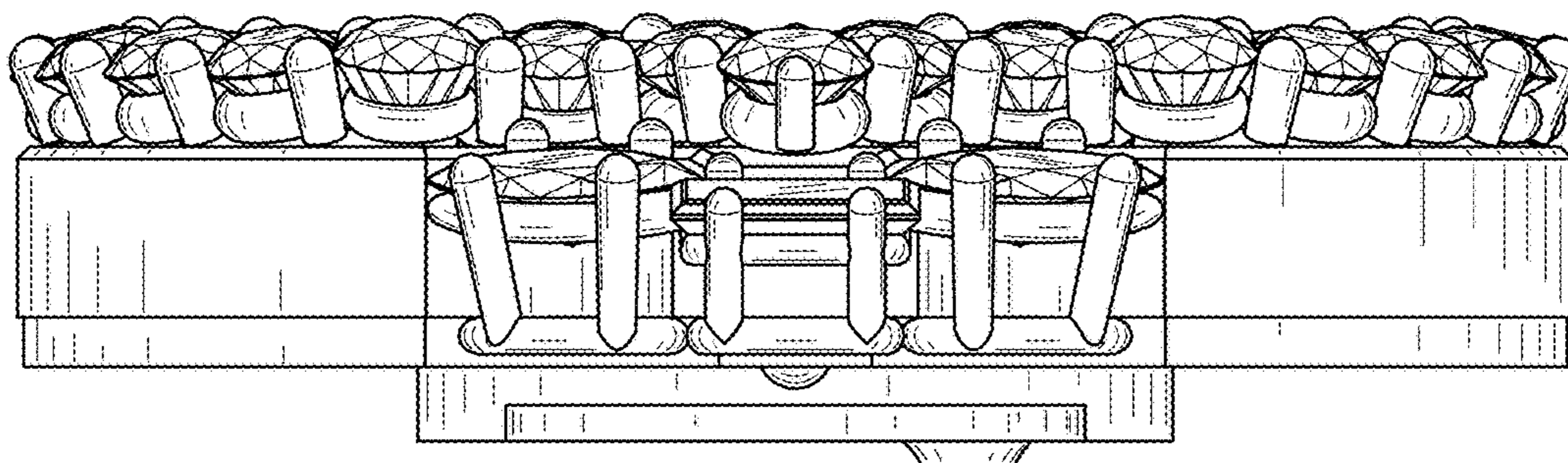


FIG. 7



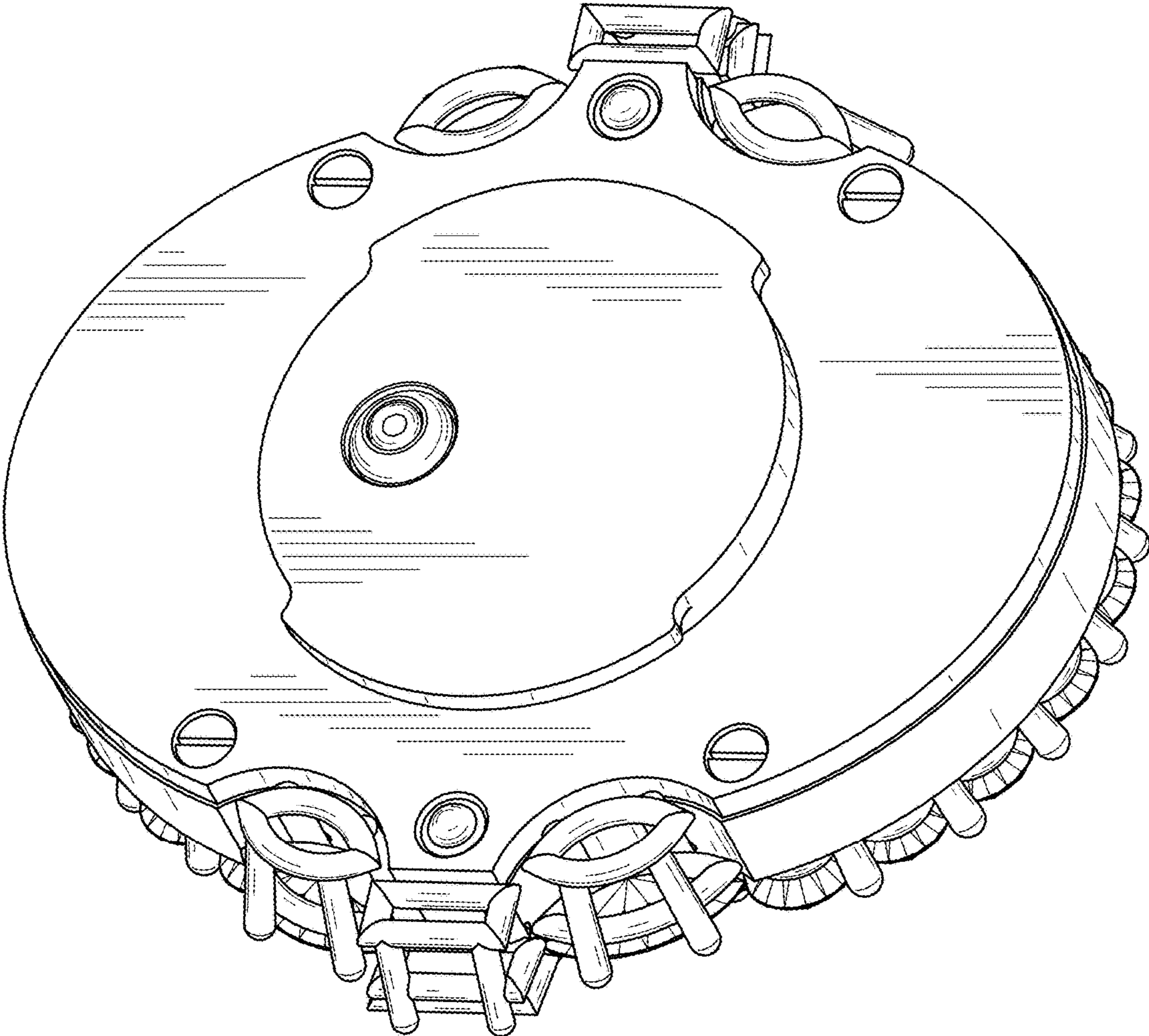


FIG. 8