



US00D851501S

(12) **United States Design Patent** (10) **Patent No.:** **US D851,501 S**
Dominion et al. (45) **Date of Patent:** **** Jun. 18, 2019**

(54) **CONTAINER INSERT**

(56) **References Cited**

(71) Applicant: **D6 Inc.**, Portland, OR (US)

U.S. PATENT DOCUMENTS

(72) Inventors: **Ed Dominion**, Portland, OR (US);
Martin Troudt, Wood Village, OR
(US); **Ben McGregor**, Portland, OR
(US)

D172,271 S * 5/1954 Despres D7/553.4
D551,091 S * 9/2007 Shabsavarani D9/737
(Continued)

(73) Assignee: **D6 Inc.**, Portland, OR (US)

OTHER PUBLICATIONS

(**) Term: **15 Years**

YPI Salad Bowl With Protein Insert Salad Packaging, available Aug. 11, 2015, [online], [site visited Jan. 16, 2019]. Available from internet, <URL: <https://web.archive.org/web/20150811031729/https://packagingsales.com/salad-packaging/> (Year: 2015).*

(21) Appl. No.: **29/667,804**

(Continued)

(22) Filed: **Oct. 24, 2018**

Primary Examiner — Cathron C Brooks
Assistant Examiner — W. A. Teddy Falloway
(74) *Attorney, Agent, or Firm* — Stoel Rives LLP

Related U.S. Application Data

(57) **CLAIM**

(63) Continuation-in-part of application No. 29/639,574, filed on Mar. 7, 2018.

The ornamental design for a container insert, as shown and described.

(51) **LOC (11) Cl.** **09-03**

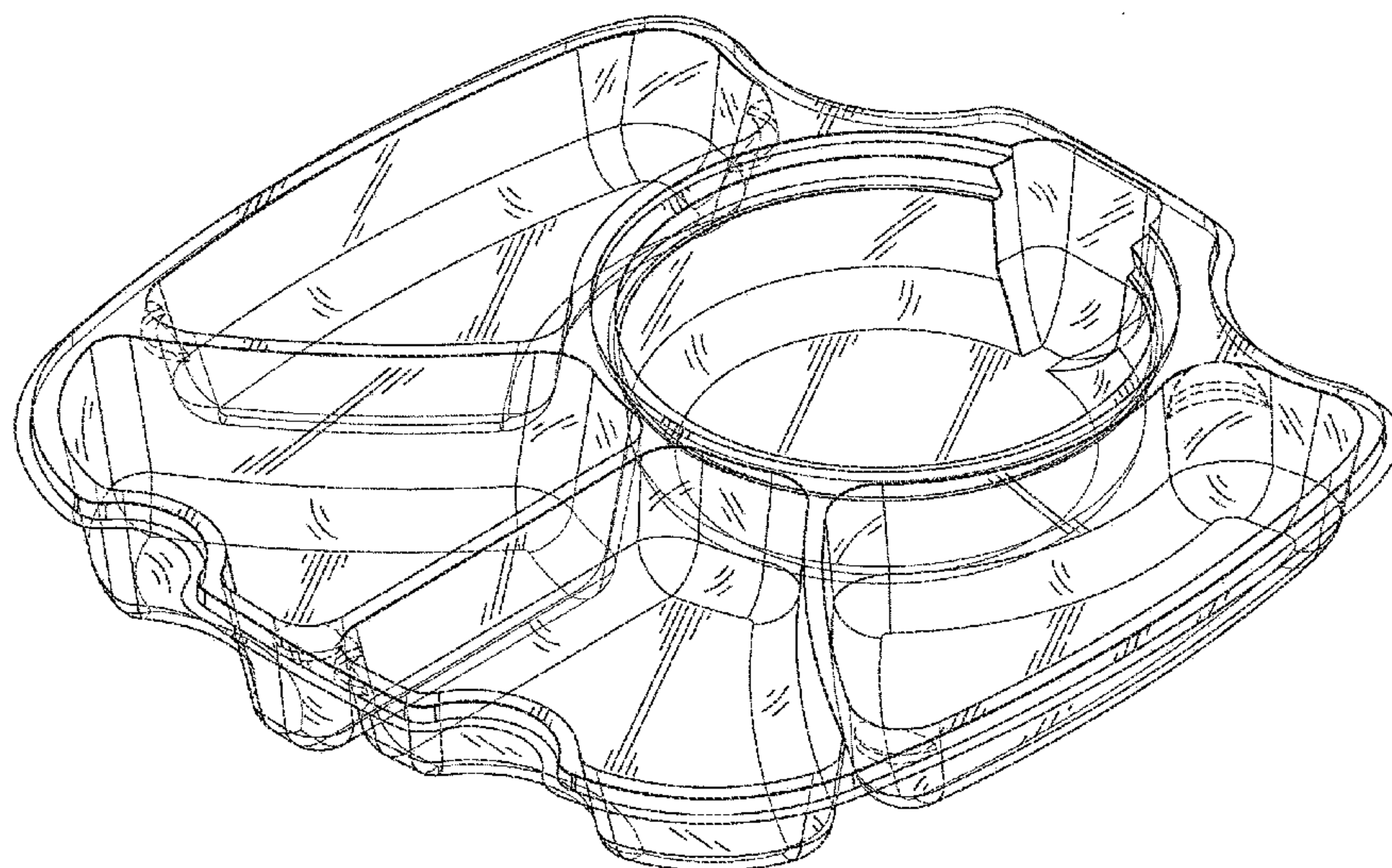
DESCRIPTION

(52) **U.S. Cl.**
USPC **D9/761**; D9/737

(58) **Field of Classification Search**
USPC D9/341, 347, 414–432, 440, 444, 447,
D9/449–454, 503, 504, 737, 759, 761,
D9/456; D7/672, 601, 550.1, 551.1,
D7/551.2, 551.3, 552.1, 552.2, 553.1,
D7/553.2, 553.4, 553.5, 553.7, 553.8,
D7/554.1, 554.3, 555, 557, 602, 629, 630,
D7/538–542, 612–615, 584, 586, 587,
D7/709, 502, 608, 622, 701, 703,
D7/543–549, 317–319, 391, 392, 392.1,
D7/396.2, 510, 511; D3/273, 201–206,
D3/276, 283, 284, 295, 274, 302;
D11/143; 220/575, 500, 505–507, 523,
(Continued)

FIG. 1 is a front, top perspective view of a container insert showing our new design;
FIG. 2 is a front elevation view thereof;
FIG. 3 is a rear elevation view thereof;
FIG. 4 is a right side view thereof;
FIG. 5 is a left side view thereof;
FIG. 6 is a top plan view thereof;
FIG. 7 is a bottom plan view thereof;
FIG. 8 is a rear, bottom perspective view thereof;
FIG. 9 is another front, top perspective view thereof, shown with environment subject matter; and,
FIG. 10 is an exploded front, top perspective view thereof. The broken-line showing of a bowl in FIGS. 9 and 10 illustrates environmental structure. All other broken lines represent portions of the container insert. The broken lines form no part of the claimed design.

1 Claim, 8 Drawing Sheets



(58) **Field of Classification Search**

USPC 220/553, 555, 556; 206/216, 217,
 206/541–550, 518, 557, 558, 561, 564,
 206/223, 467; 229/107, 406, 120,
 229/125.17; 249/126, 134; 426/106;
 215/211, 200, 224, 243
 CPC B65D 85/34; B65D 85/345; B65D 43/161;
 B65D 43/162; B65D 43/16; B65D 51/28;
 B65D 2543/00194; B65D 2543/00296;
 B65D 1/24; B65D 21/0237; B65D
 2543/00101; B65D 2543/00351; B65D
 1/36; B65D 2543/00555; B65D
 2581/3425; B65D 25/04; B65D 43/0218;
 B65D 2543/00083; B65D 2543/00268;
 B65D 2543/00277; B65D 81/3453; A47G
 19/02; A47G 19/065; A47G 23/0608;
 A47G 23/06

See application file for complete search history.

(56) **References Cited**

U.S. PATENT DOCUMENTS

D615,821 S * 5/2010 Stamper D7/538
 D698,665 S * 2/2014 Sifuentes D9/425

D708,904 S * 7/2014 Coyle A47G 23/06
 D7/544
 D723,392 S * 3/2015 Sifuentes D9/425
 D740,615 S * 10/2015 Shoshan D7/553.2
 D782,333 S * 3/2017 Shoshan D9/737
 D804,961 S * 12/2017 Shoshan D9/737
 D809,934 S * 2/2018 Shoshan D9/737
 D825,996 S * 8/2018 Rabiai A47G 23/06
 D7/551.1
 D829,509 S * 10/2018 Malak D7/553.1
 2011/0132914 A1 * 6/2011 Vernes A47G 19/06
 220/575

OTHER PUBLICATIONS

Eco Products EP-BLI1604 Bowl Insert, available Jan. 16, 2019, [online], [site visited Jan. 16, 2019]. Available from internet, <URL: <https://www.webrestaurantstore.com/eco-products-ep-bli1604-regalia-white-4-compartment-compostable-sugarcane-bowl-insert-case/500EPBLI1604.html> (Year: 2019).*

64 oz Square Hinged Bowl Insert, available Jun. 26, 2014, [online], [site visited Jan. 16, 2019]. Available from internet, <URL: <http://www.packaging2.com/product/64-oz-square-hinged-bowl-insert/> (Year: 2014).*

* cited by examiner

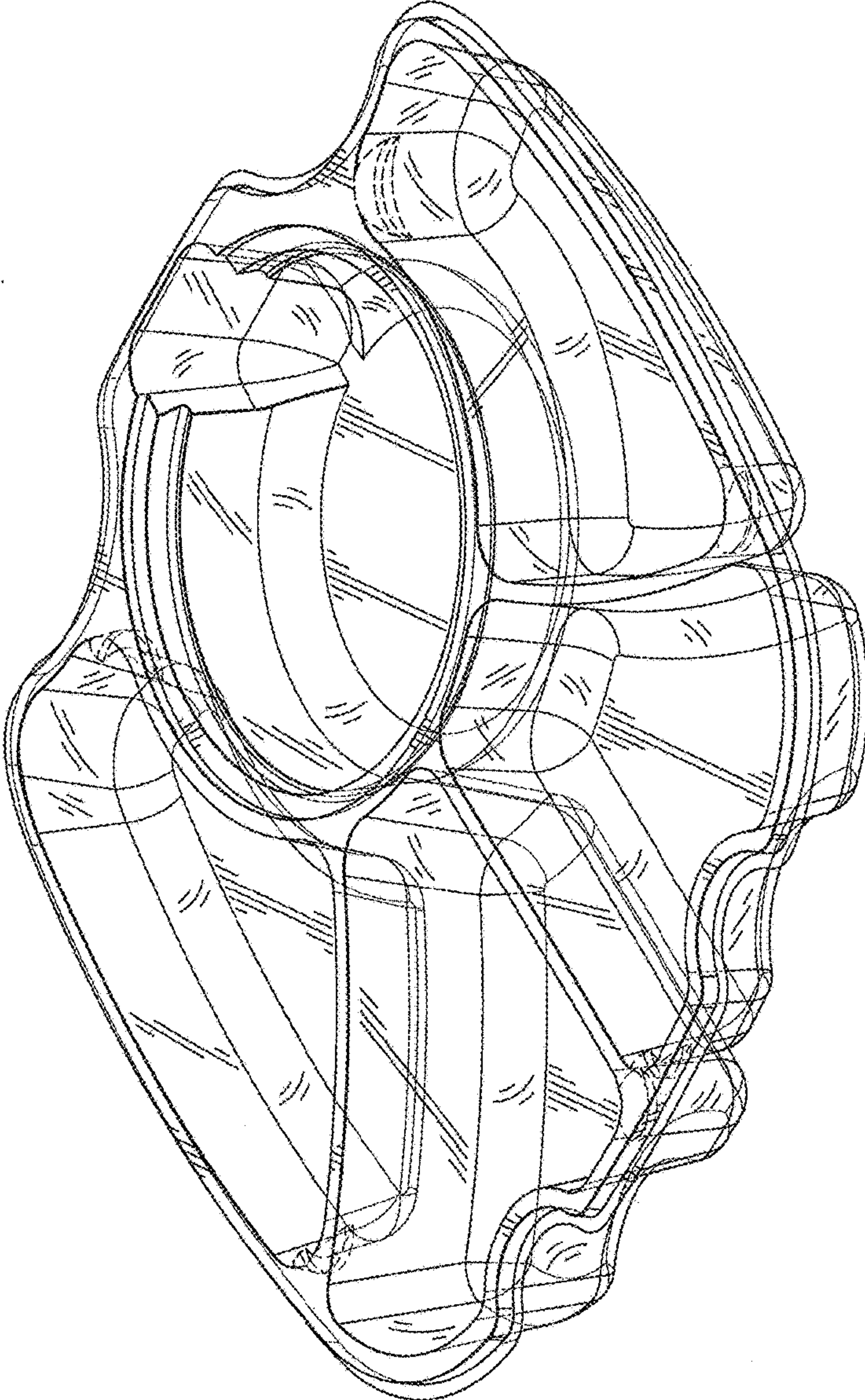


FIG. 1

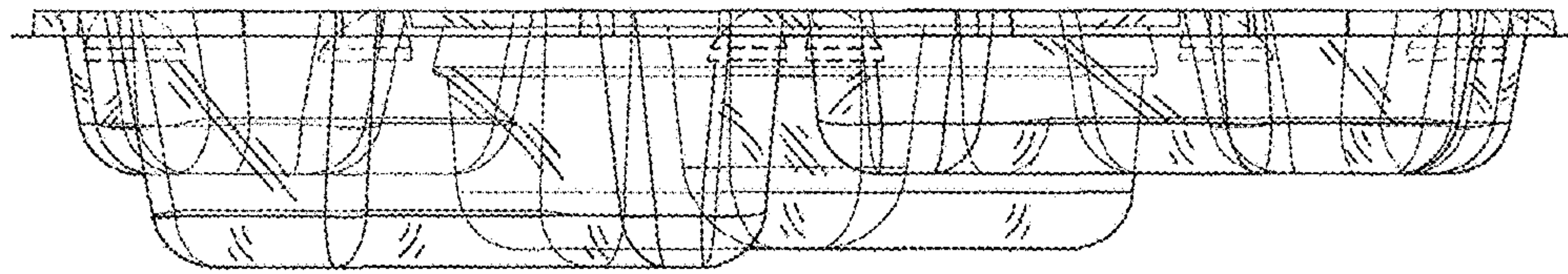


FIG. 2

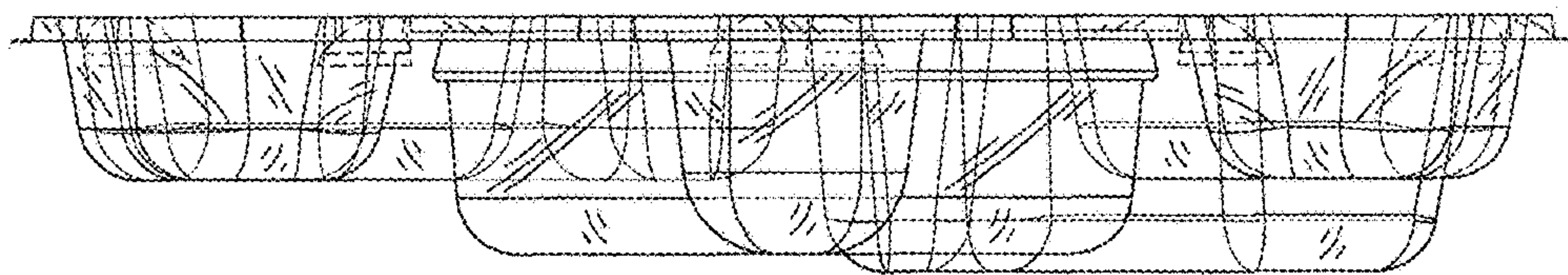


FIG. 3

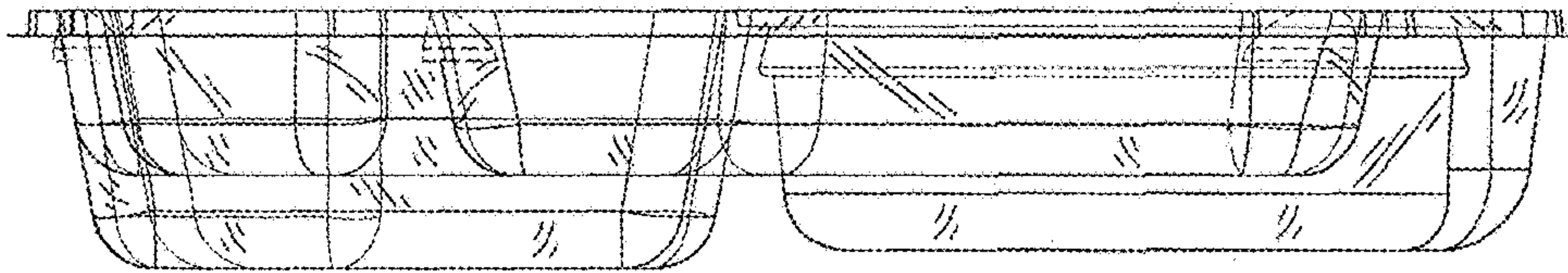


FIG. 4

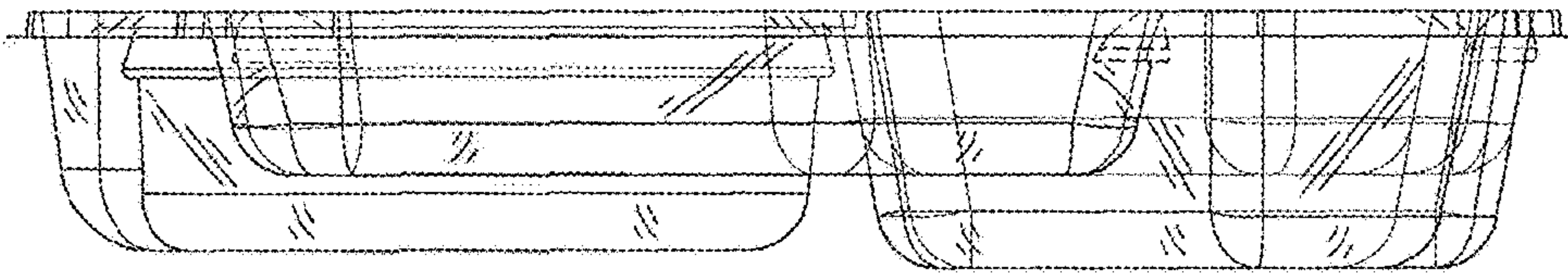


FIG. 5

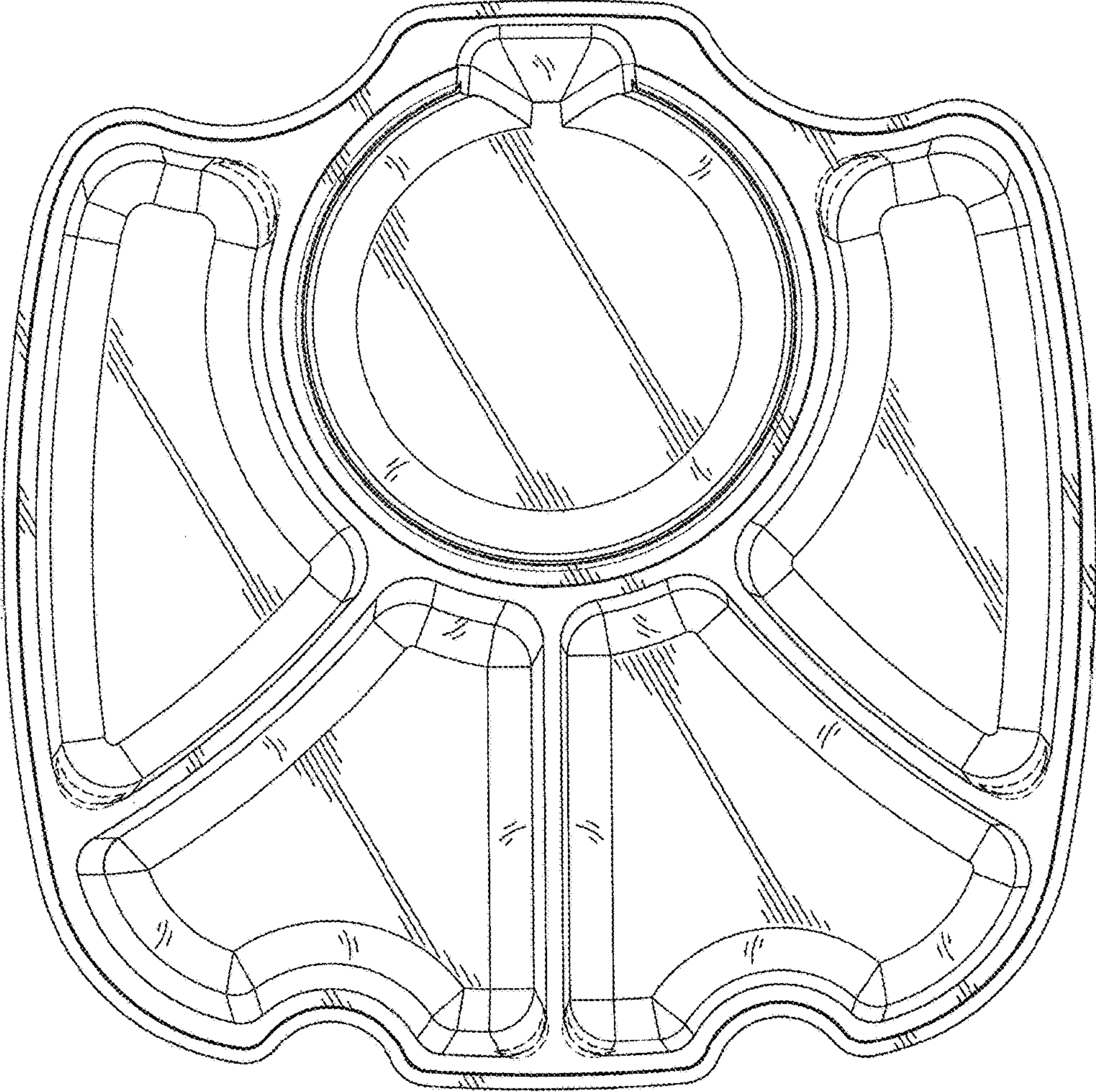


FIG. 6

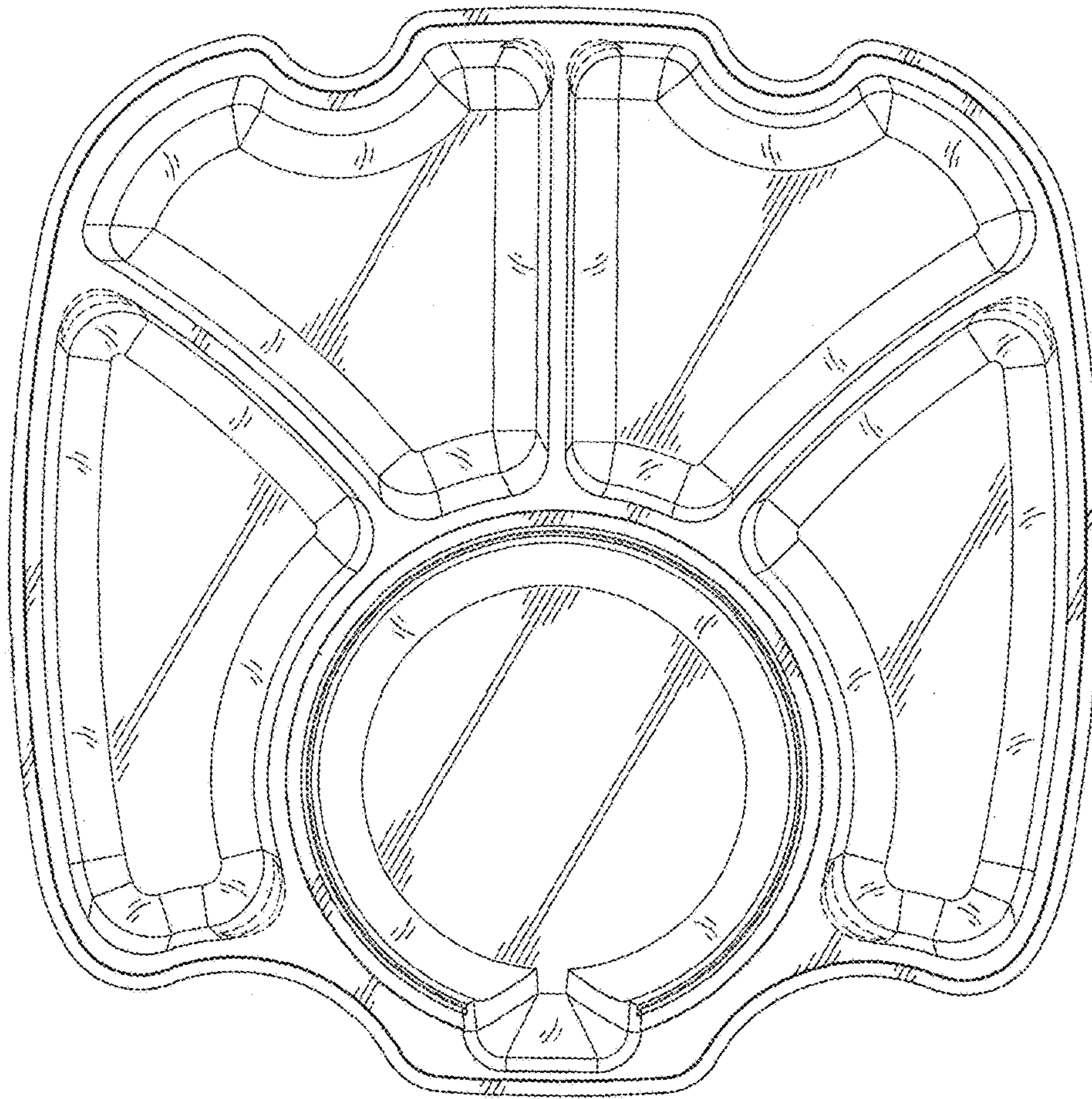


FIG. 7

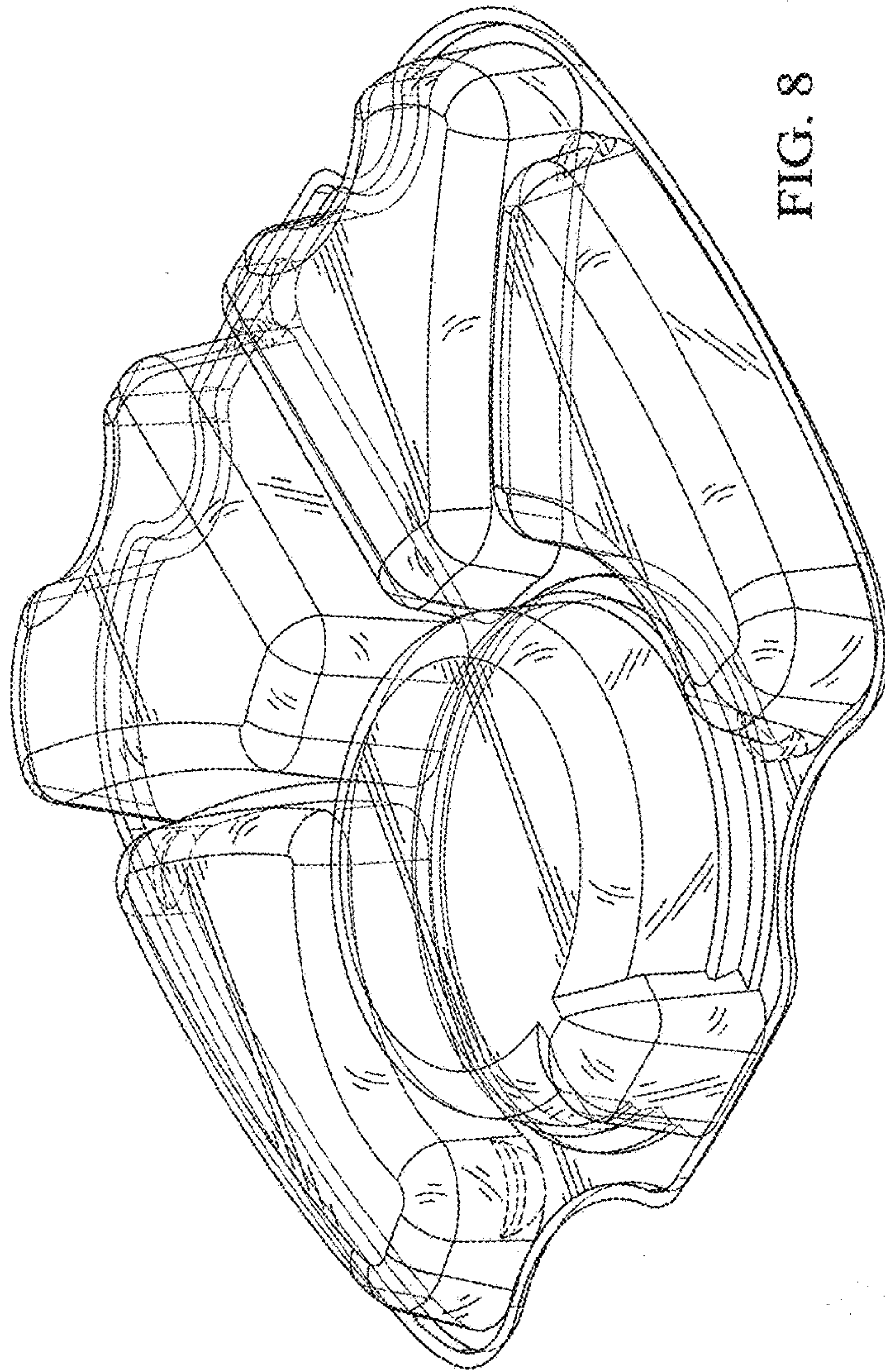


FIG. 8

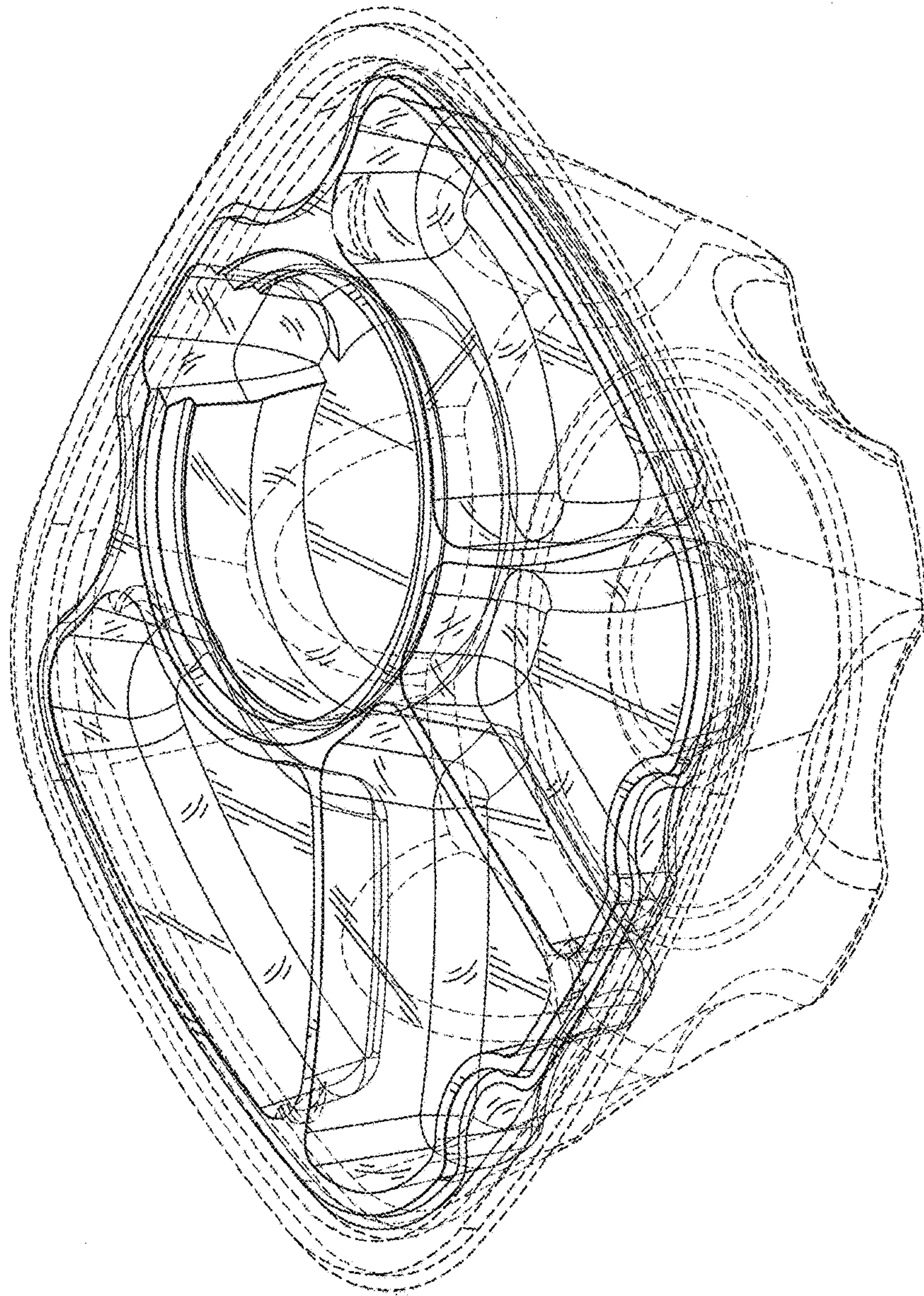


FIG. 9

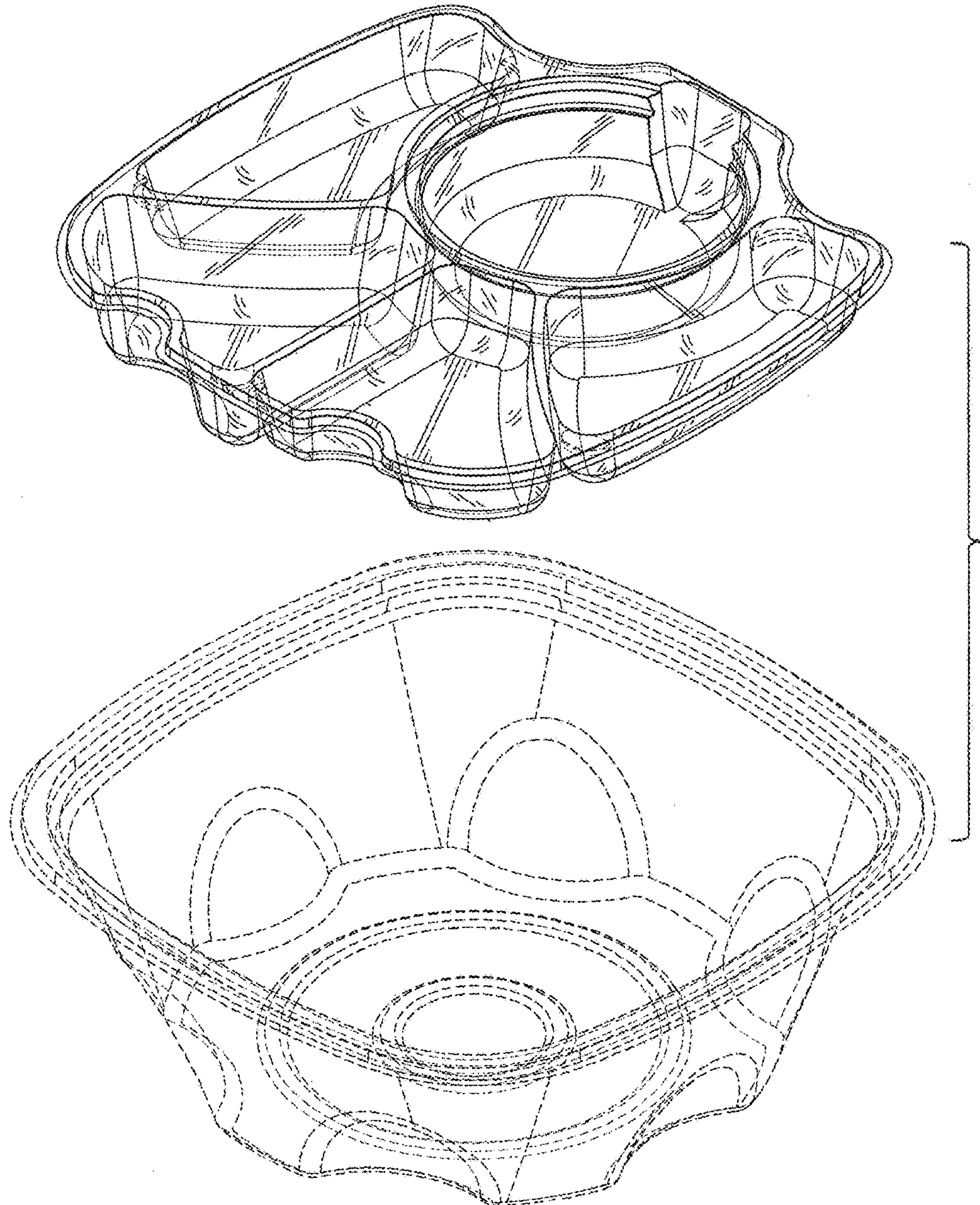


FIG. 10